

RAMS

4600 Highway 183 Alternate
Hays, KS 67601
(785) 625-6346
Fax (785) 625-2795

Assembly Alert: 165

Date: March 3, 2008

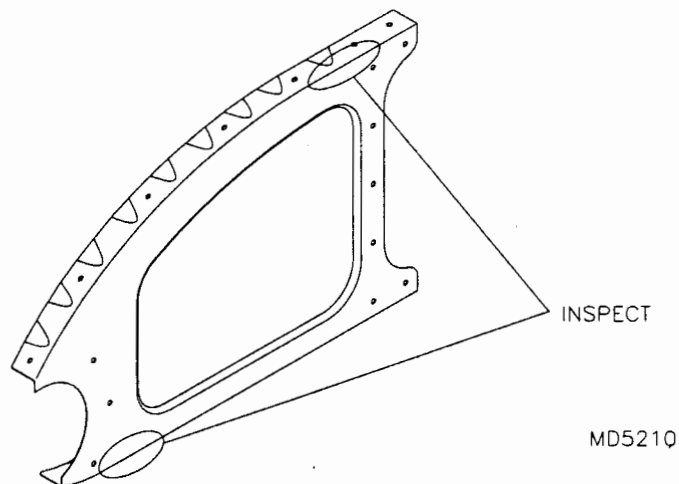
Subject: Cracks in LH nose rib – sport wing (KPWI0461-L)

Compliance: Mandatory

Aircraft Affected: S-6 Serial Numbers: 10071834, 12071846, 01081850, 01081852, 01081858

It has come to our attention that some parts were over pressed causing cracks..

Below is a drawing showing the nose rib and the area to inspect for cracks. Inspect visually with a 10x magnifier.



Thank you for your attention to this matter. I hope that we have not inconvenienced you to any great degree. Fly safe!