

# Standard Scheme

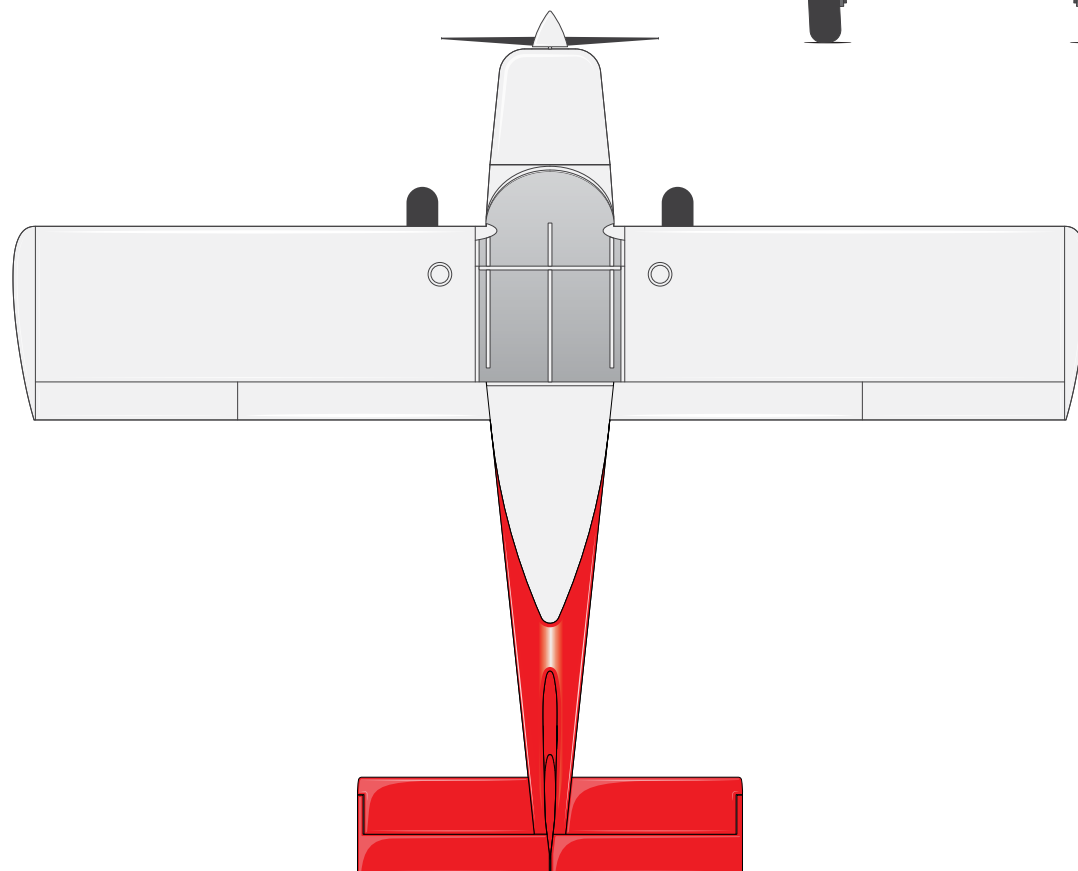
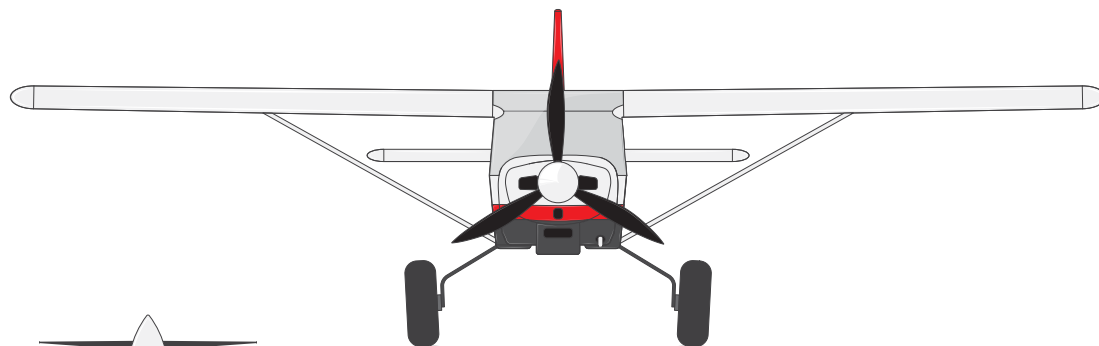


RED / CHARCOAL / WHITE

Customer:

S-21 Outbound / Taildragger

Doors Unpainted



# Classic Scheme

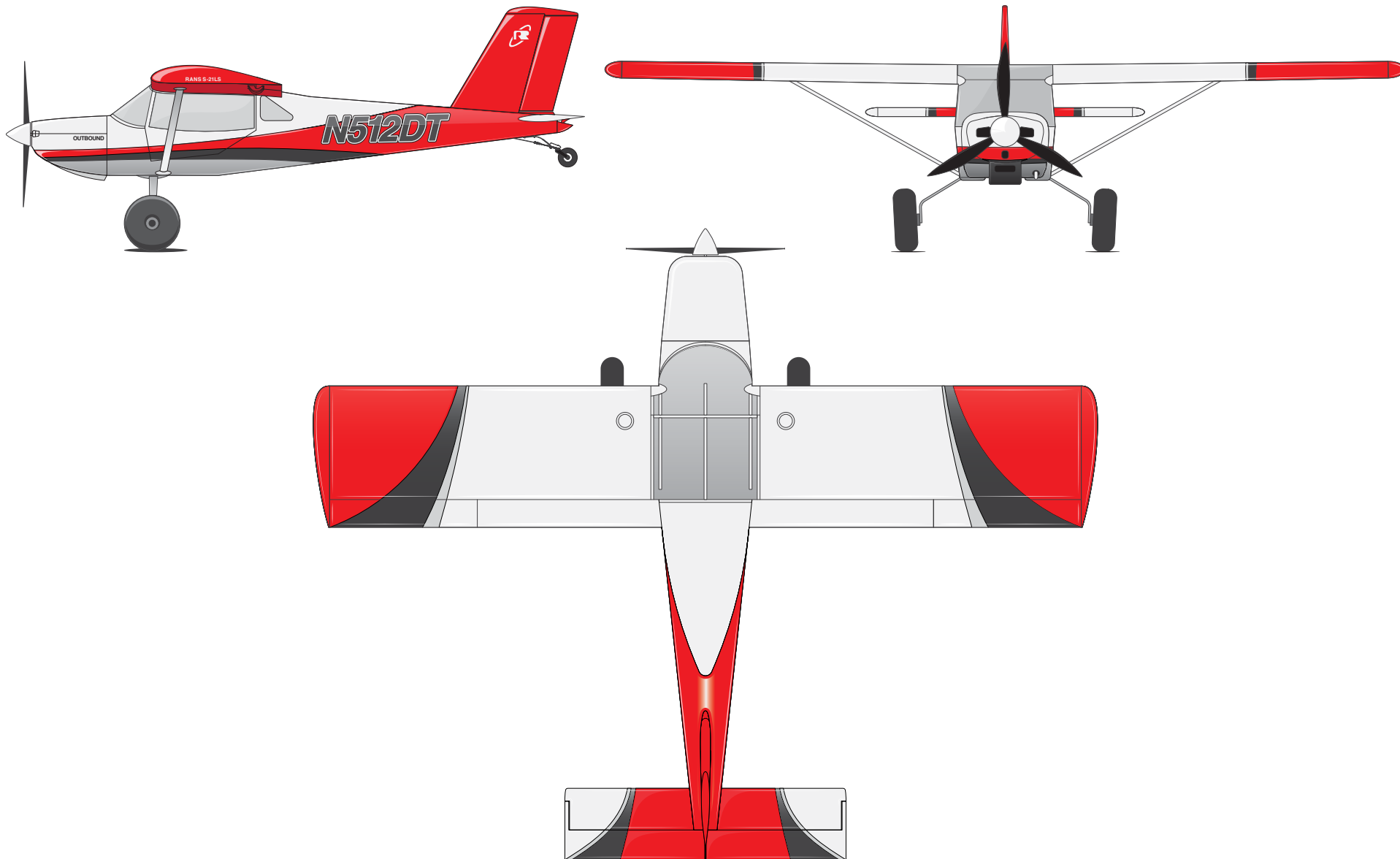


RED / CHARCOAL / WHITE

Customer:

S-21 Outbound / Taildragger

Doors Partially Painted + Solid Tail Group



# Encore Scheme

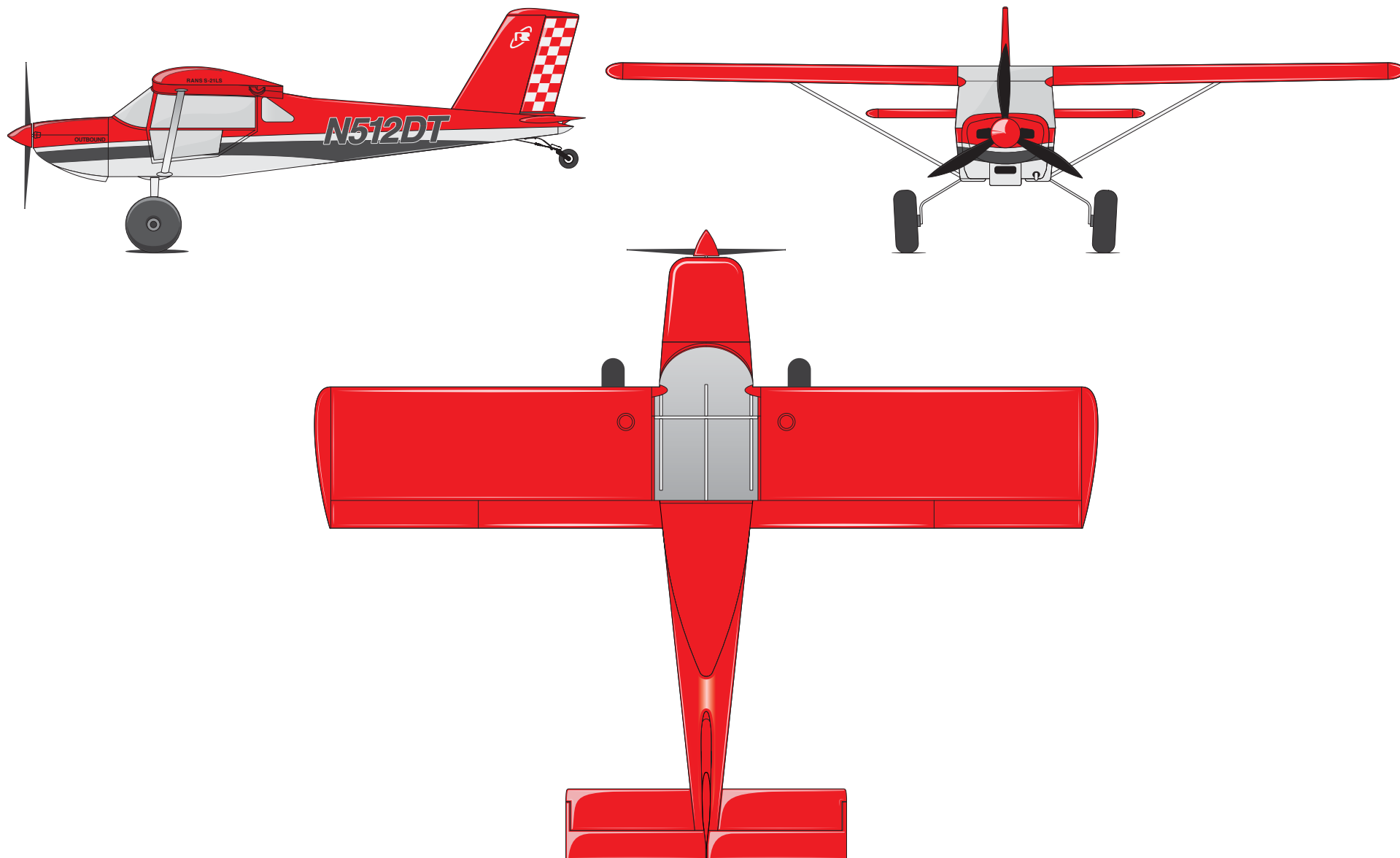


RED / CHARCOAL / SILVER / WHITE

Customer:

S-21 Outbound / Taildragger

Doors Fully Painted + Wing & Tail Group Accents



# Knight Scheme (Shown w/ Optional Checkered Tail)

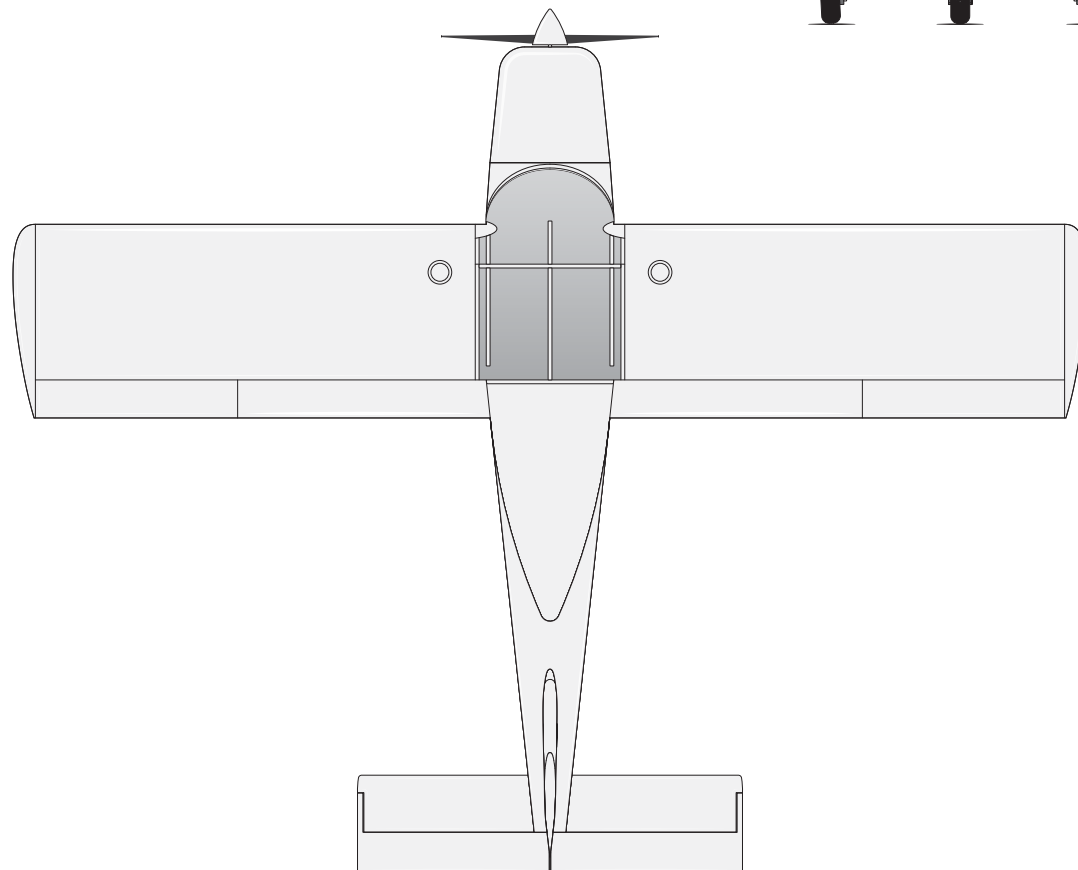
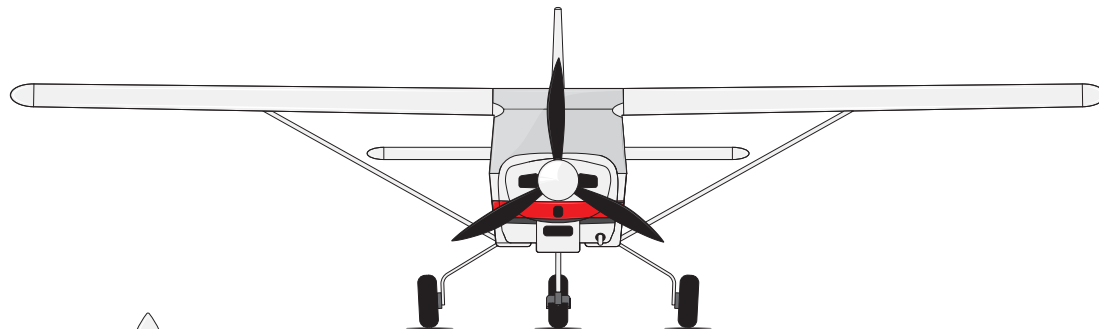


RED / CHARCOAL / WHITE

Customer:

S-21 Outbound / Taildragger

Doors Partially Painted / Solid Tail Group

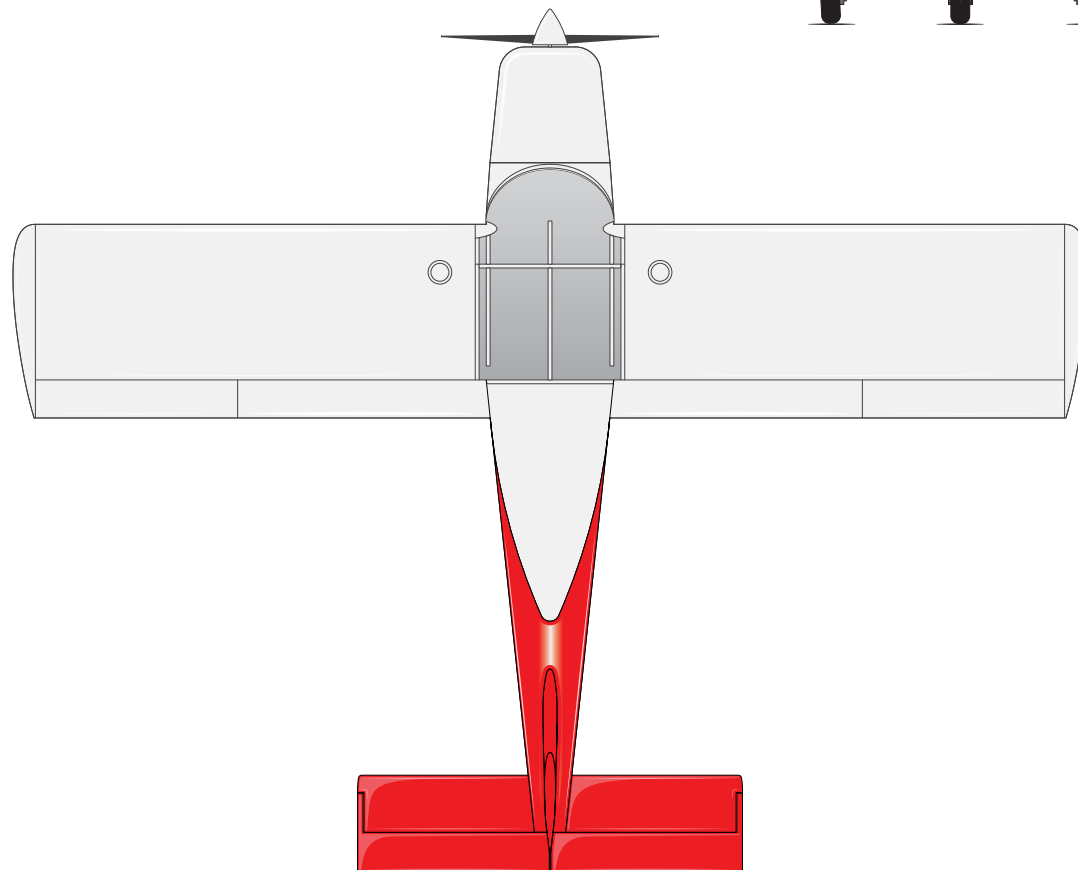
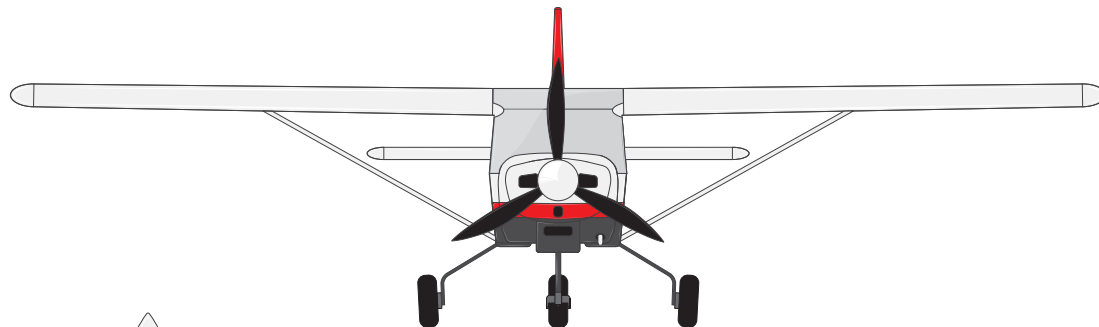


# Standard Scheme



RED / CHARCOAL / WHITE

Customer:  
S-21 Outbound / Trike  
Doors Unpainted



# Classic Scheme

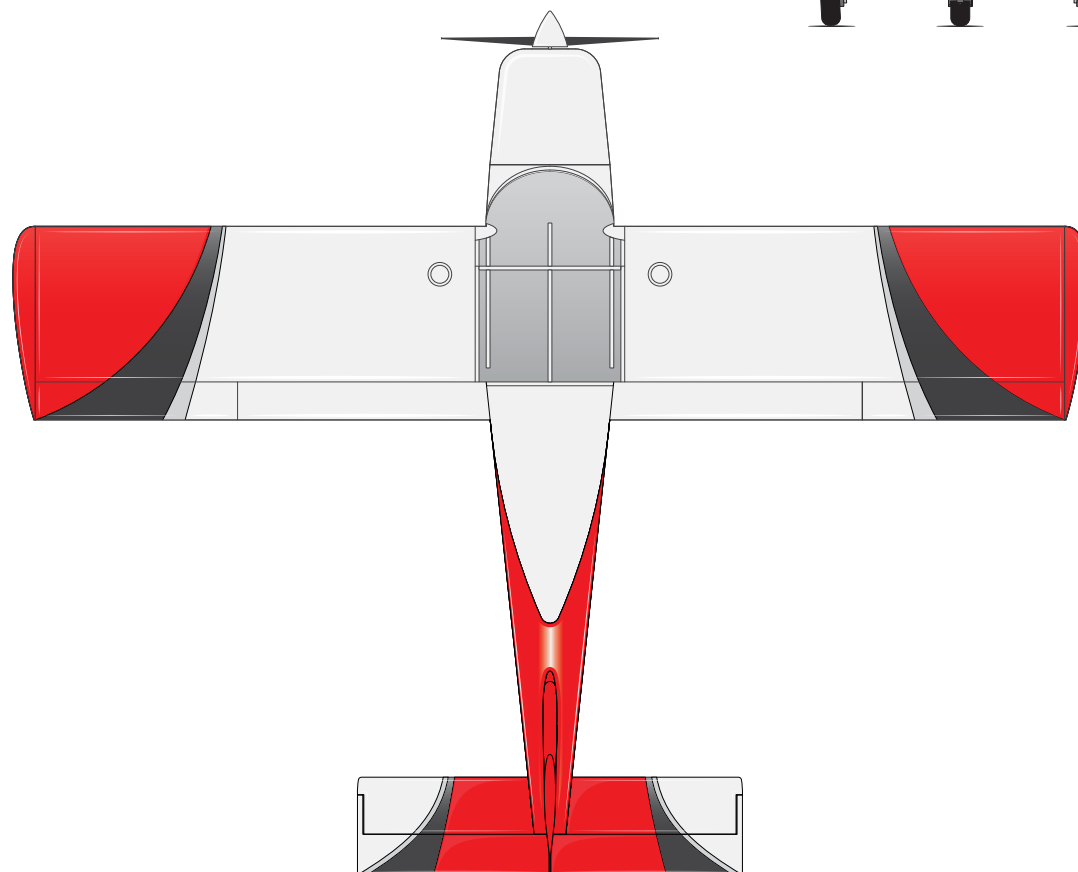
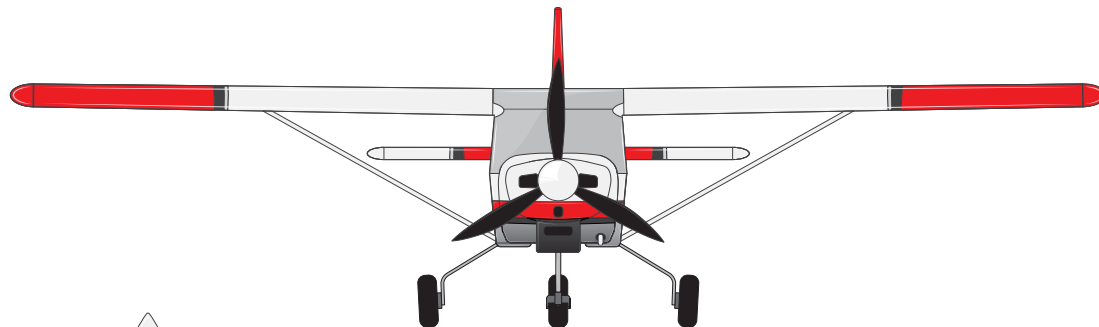


RED / CHARCOAL / WHITE

Customer:

S-21 Outbound / Trike

Doors Partially Painted + Solid Tail Group



# Encore Scheme (Shown w/ Optional Checkered Tail)

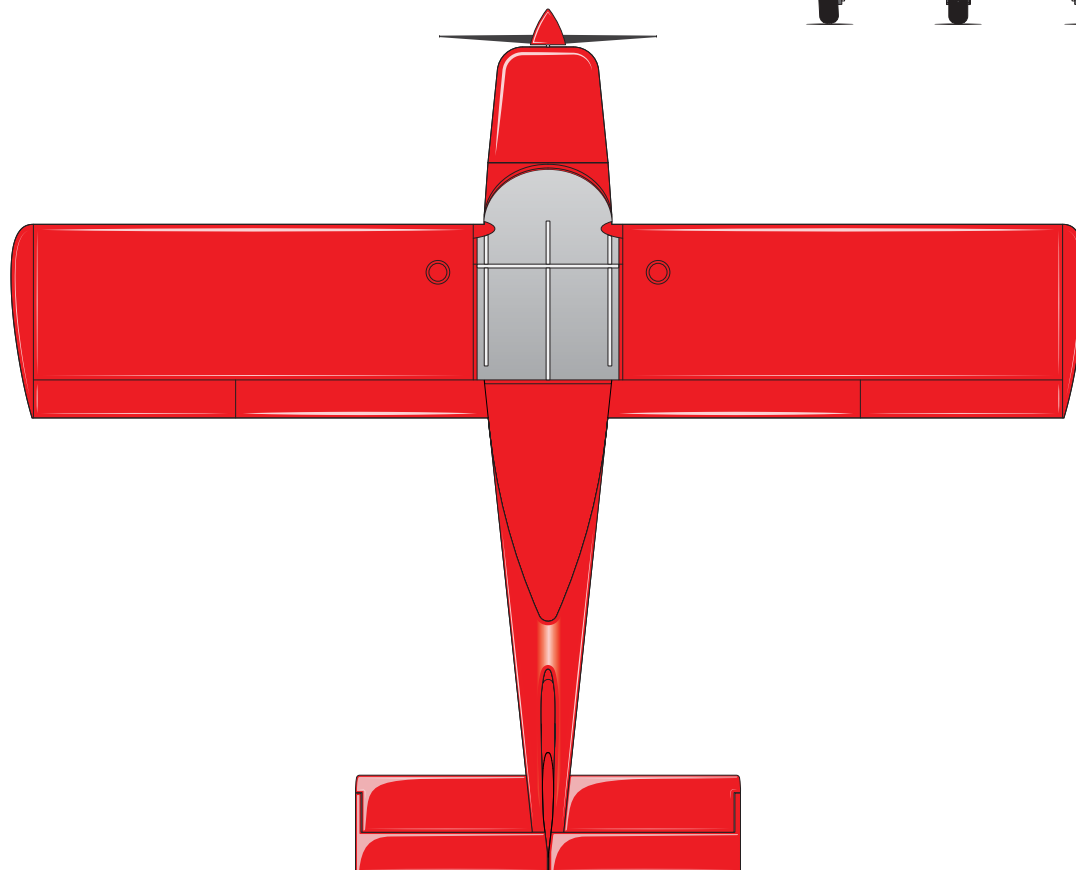
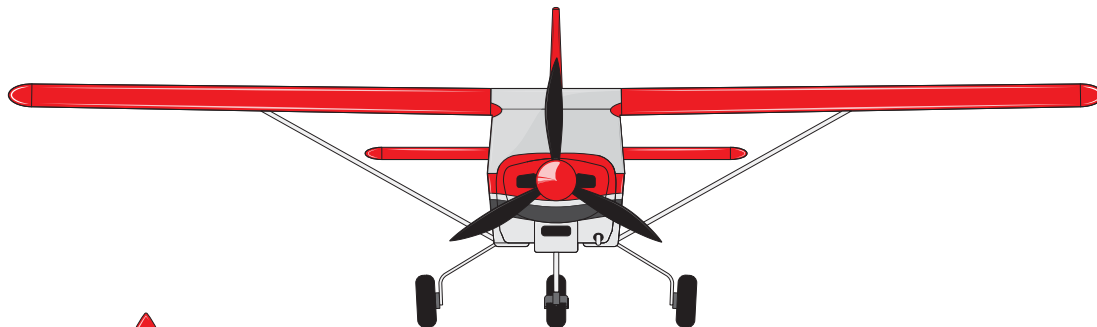


RED / CHARCOAL / SILVER / WHITE

Customer:

S-21 Outbound / Trike

Doors Fully Painted + Wing & Tail Group Accents



# Knight Scheme (Shown w/ Optional Checkered Tail)



RED / CHARCOAL / WHITE

Customer:

S-21 Outbound / Trike

Doors Partially Painted / Solid Tail Group