

RANS

4600 Highway 183 Alternate
 Hays, KS 67601
 (785) 625-6346
 Fax (785) 625-2795
 www.rans.com

Assembly Alert: 185

Date: May 9, 2018

Subject: Aileron Cable/Wing Truss Clearance

Compliance: Mandatory

Models Affected: All 141 wings under construction.

Cost: No Charge

There is a clearance issue between the aileron cables and the wing truss. To increase the clearance, install the Aileron Bellcrank Pulley Spacer (KPAL0149) between the aileron bellcrank and mount as shown in the figure below.

Replace the aileron cable guide blocks (KPFL0170 L/R). The new blocks route the cables differently to allow more clearance to the wing truss.

This may bring the aileron cables close to the top of the hole in the wing rib nearest the aileron bellcrank. If this clearance is less than .125", use a half round file to file the rib and achieve .125" of clearance.

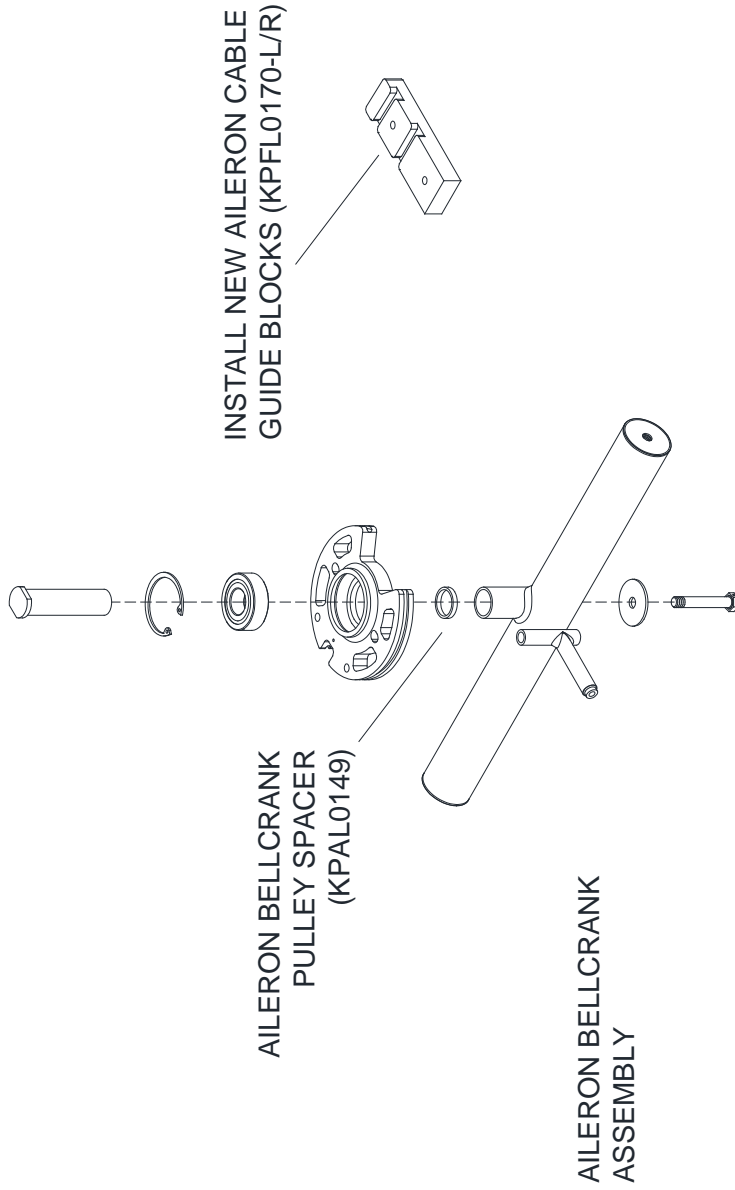
The following parts will be shipped to you.

1	KPFL0170-L	Aileron Cable Guide – LH
1	KPFL0170-R	Aileron Cable Guide – RH
2	KPAL0149	Aileron Bellcrank Pulley Spacer

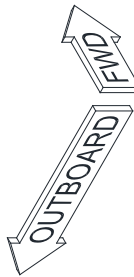
Thank you for your attention to this matter. Hopefully, we have not inconvenienced you to any great degree.

Fly safe.

AILERON BELLCRANK PULLEY SPACER PROVIDED
INSTALL AS SHOWN BELOW



MD5650
REV. - ORIG



RRRMS S-21 OUTBOUND
141 WING - AILERON CABLE CLEARANCE MODIFICATION