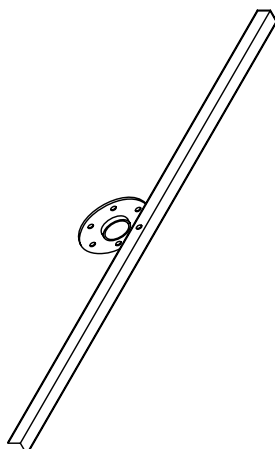
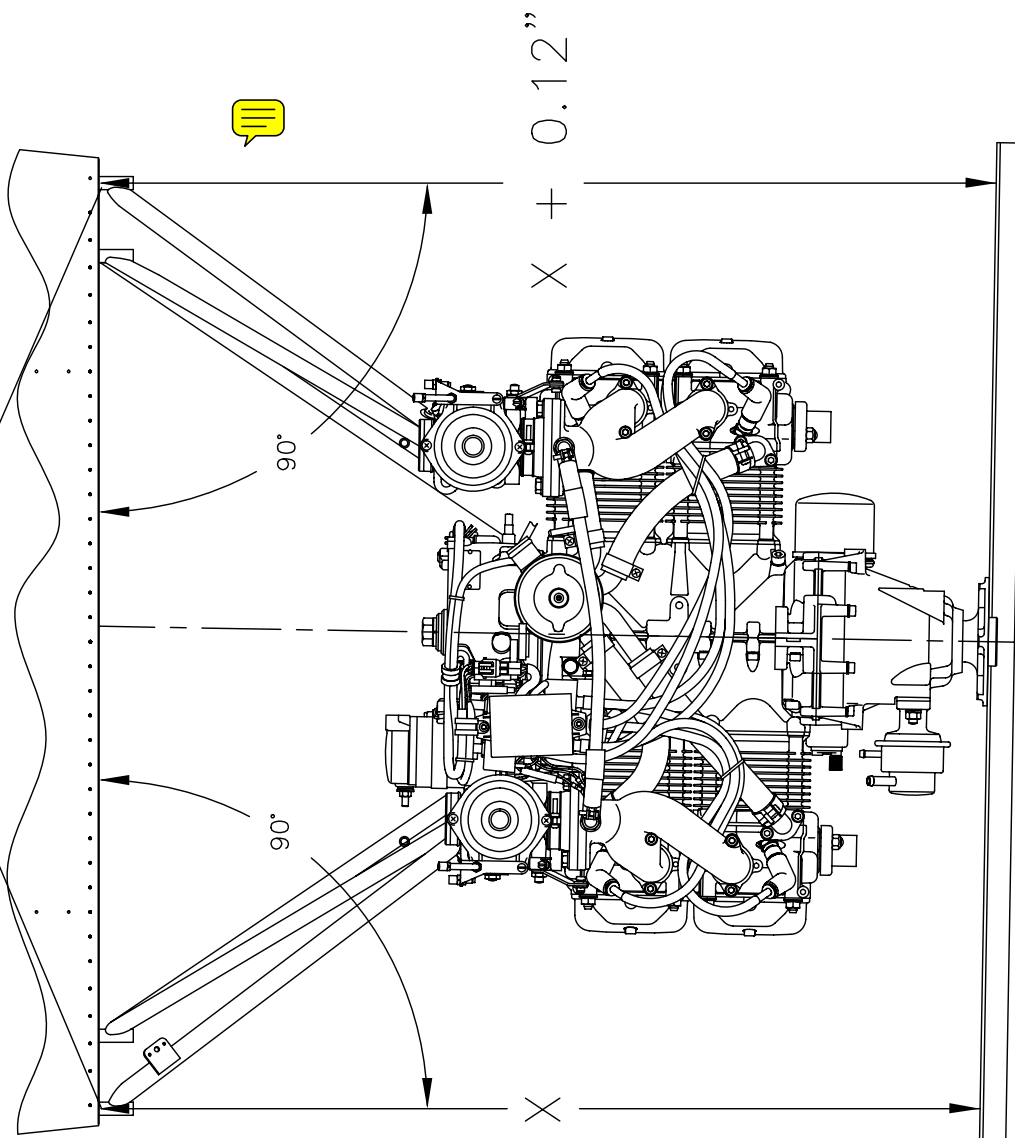


## **13 – ROTAX 912ULS ENGINE INSTALLATION**

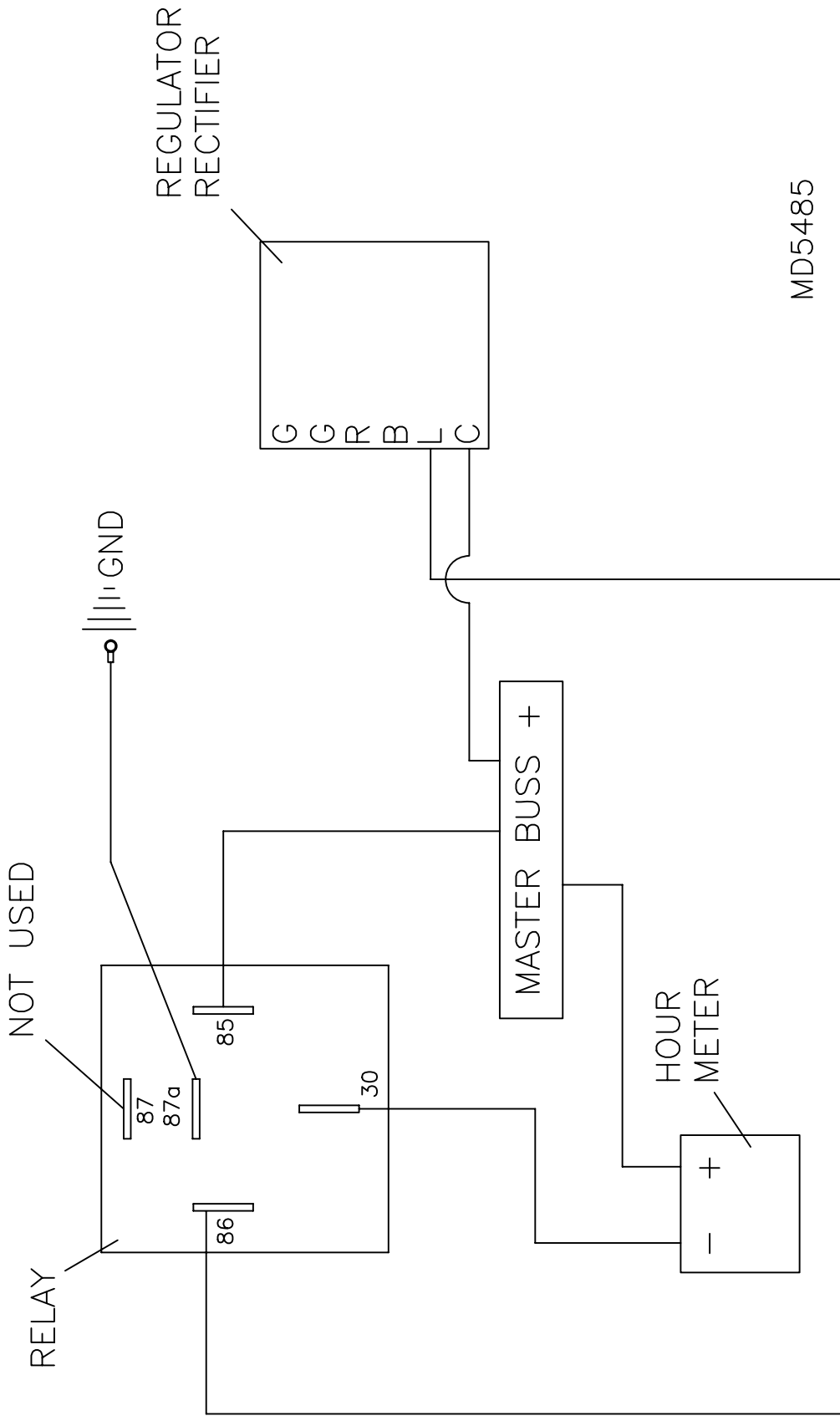
ROTAX 912ULS ENGINE THRUST OFFSET .....	13A-03
HOUR METER RELAY .....	13G-03
REMOTE BATTERY POST INSTALL.....	13J-03

MEASURE FROM FIREWALL  
AT TOP ENGINE ATTACH MNT.

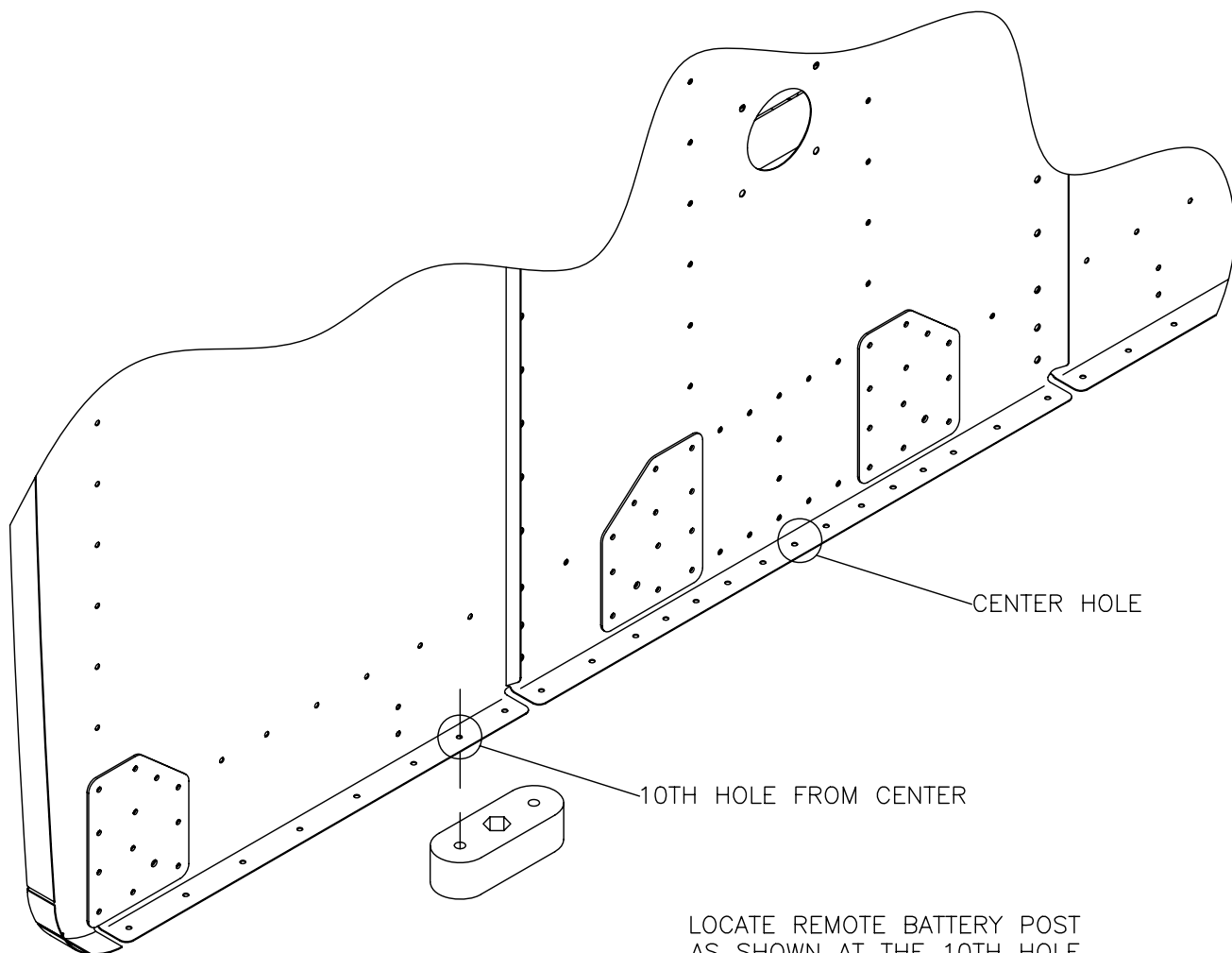


MD5459

**RAMS** S-19 VENTERRA  
ROTAX 912ULS ENGINE THRUST OFFSET  
FIGURE 13A-03



**RAMCO S-19 VENTERRA**  
**HOUR METER RELAY**  
**FIGURE 13G-03**



LOCATE REMOTE BATTERY POST  
AS SHOWN AT THE 10TH HOLE  
(INCLUDING THE CENTER HOLE)  
FROM THE CENTER OF THE  
FIREWALL AND TRANSFER DRILL  
ACCORDINGLY

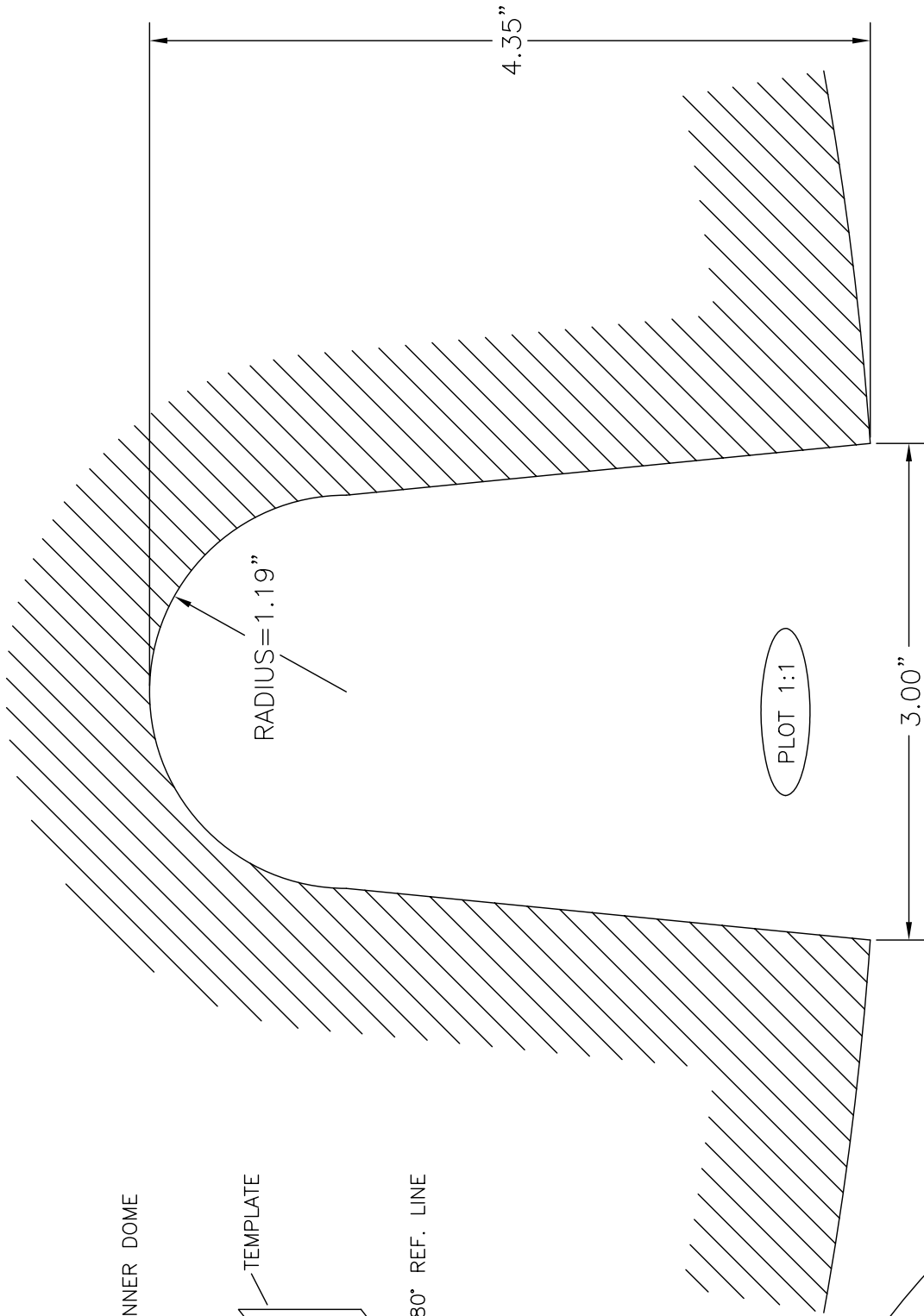
MD5515

**RANS S-19 VENTERRA**  
**REMOTE BATTERY POST INSTALL**  
**FIGURE 13J-03**

04/01/2011

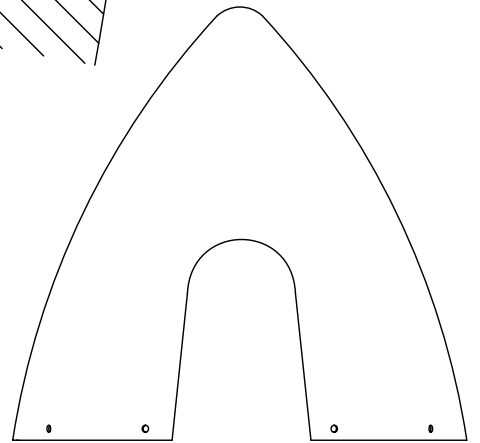
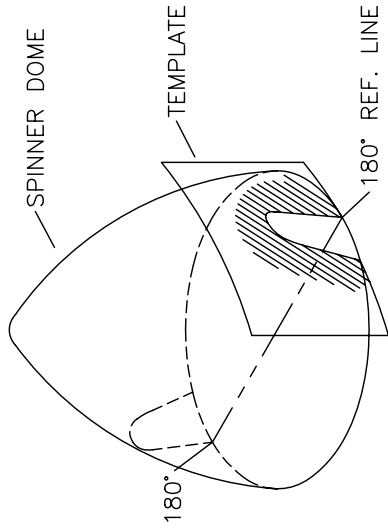
## 14 – SPINNER & COWLING INSTALLATION

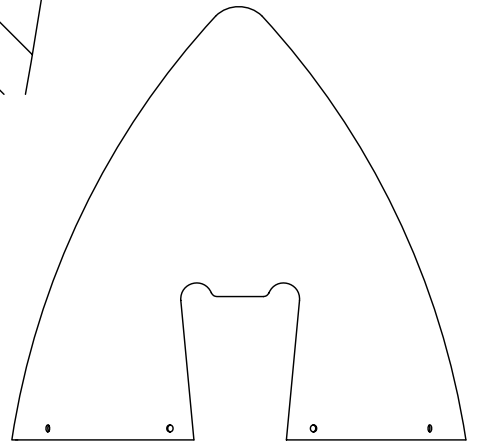
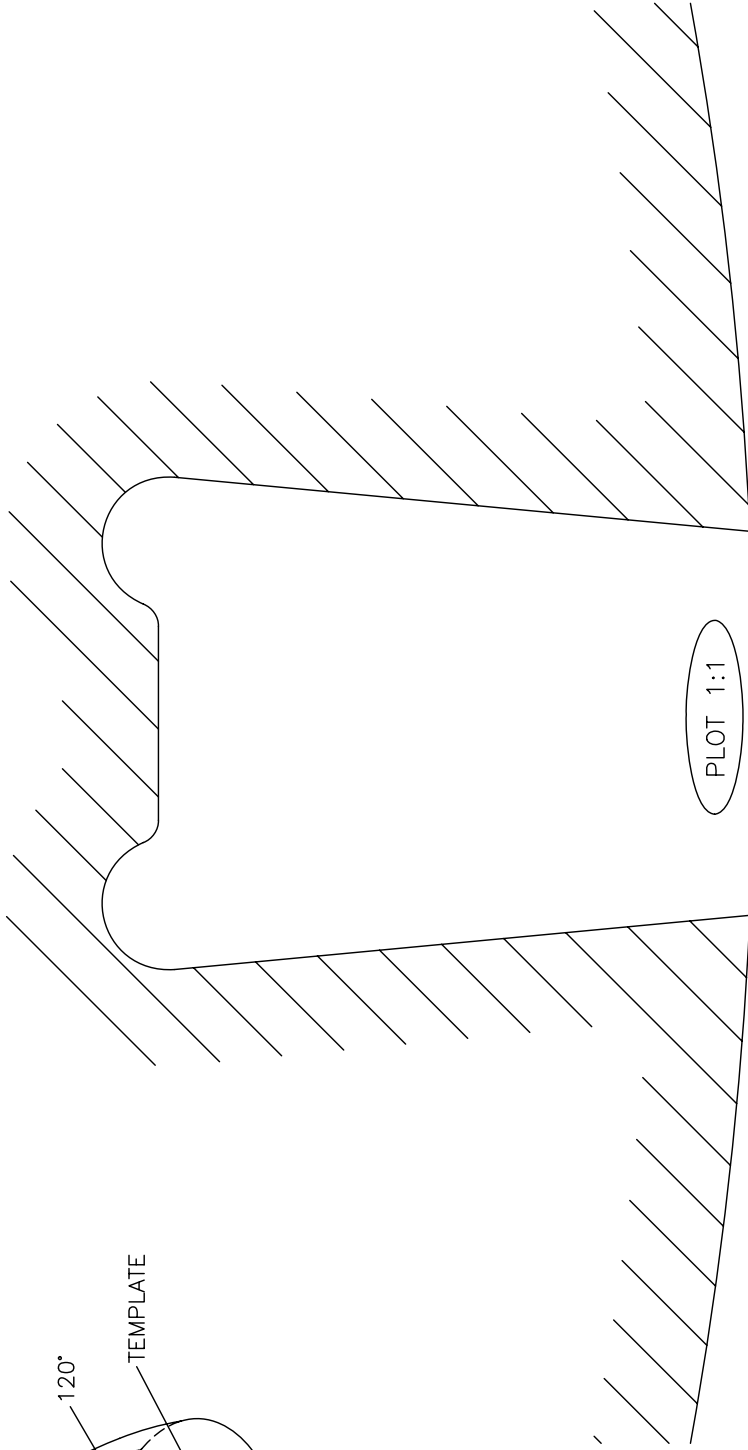
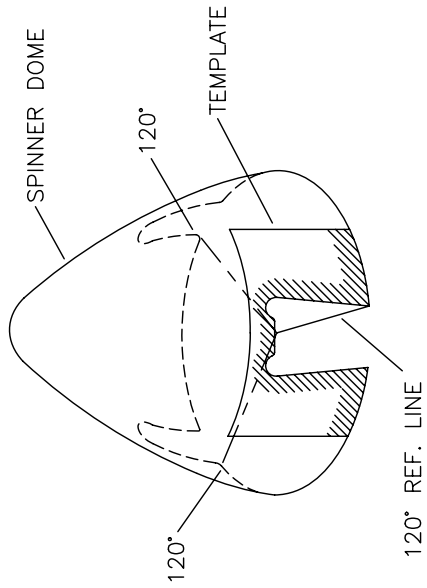
SENENICH GROUND ADJUSTABLE PROP – 12” SPINNER TEMPLATE.....	14-04
3-BLADE WARP DRIVE PROP – 12” SPINNER TEMPLATE .....	14-04A
SPINNER DRILLING.....	14-07
SPINNER ALIGNMENT MARKS .....	14-10
SPINNER NUT PLATE INSTALLATION.....	14-11
1/4 TURN FASTENER INSTALLATION .....	14-22
COWLING TO SPINNER SPACING.....	14A-02
COWLING FASTENER SPACING.....	14A-09
OIL CHECK DOOR TEMPLATE .....	14A-17



MD5228

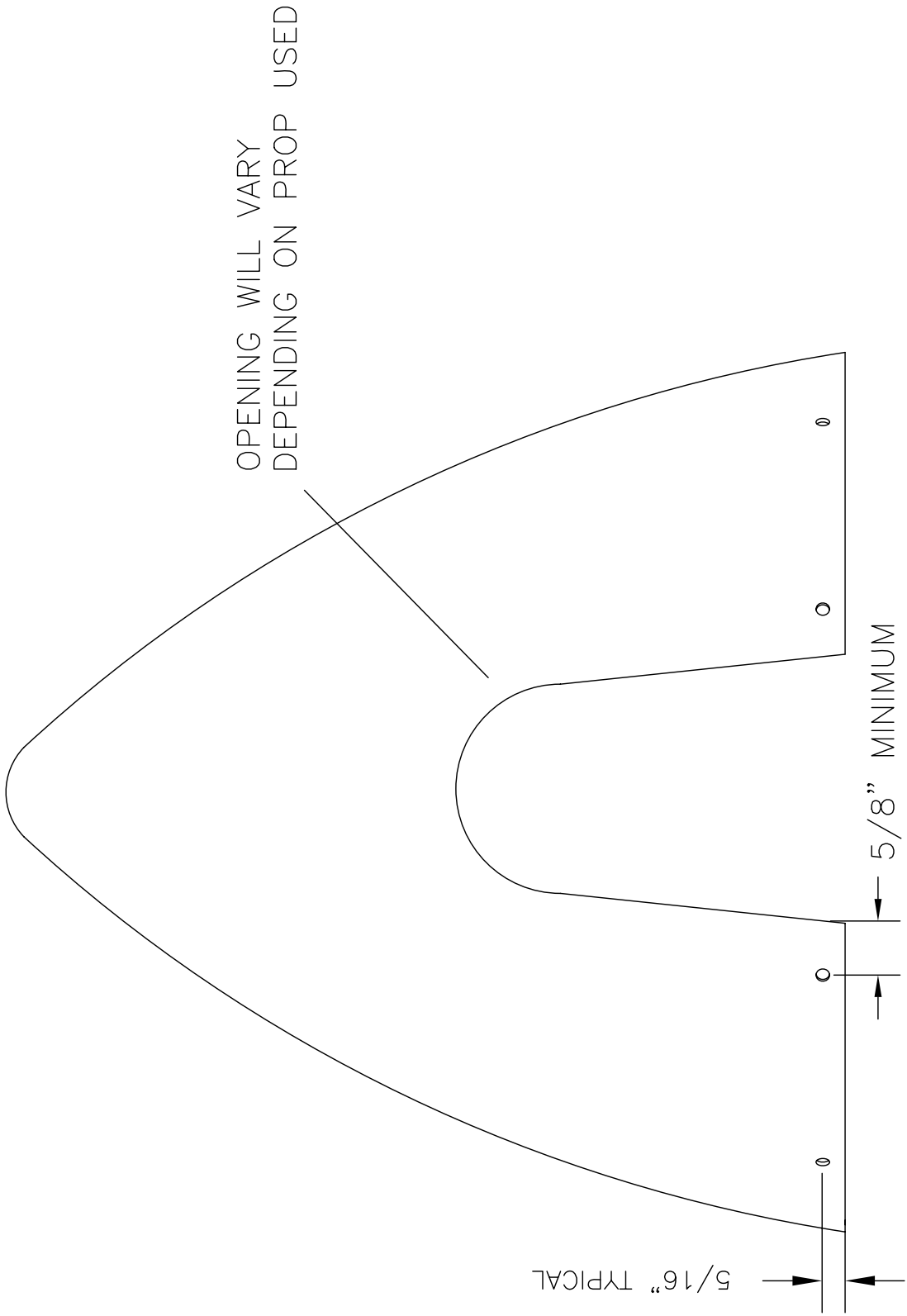
**RRAMES S-19 VENTERRA**  
**SENENICH GROUND ADJUSTABLE PROP**  
**ROTAX 912ULS - 12" SPINNER TEMPLATE**  
**FIGURE 14-04**





**RAMMS S-19 VENTERRA**  
**3-BLADE WARP DRIVE PROP**  
**ROTAX 912ULS - 12" SPINNER TEMPLATE**  
**FIGURE 14-04A**

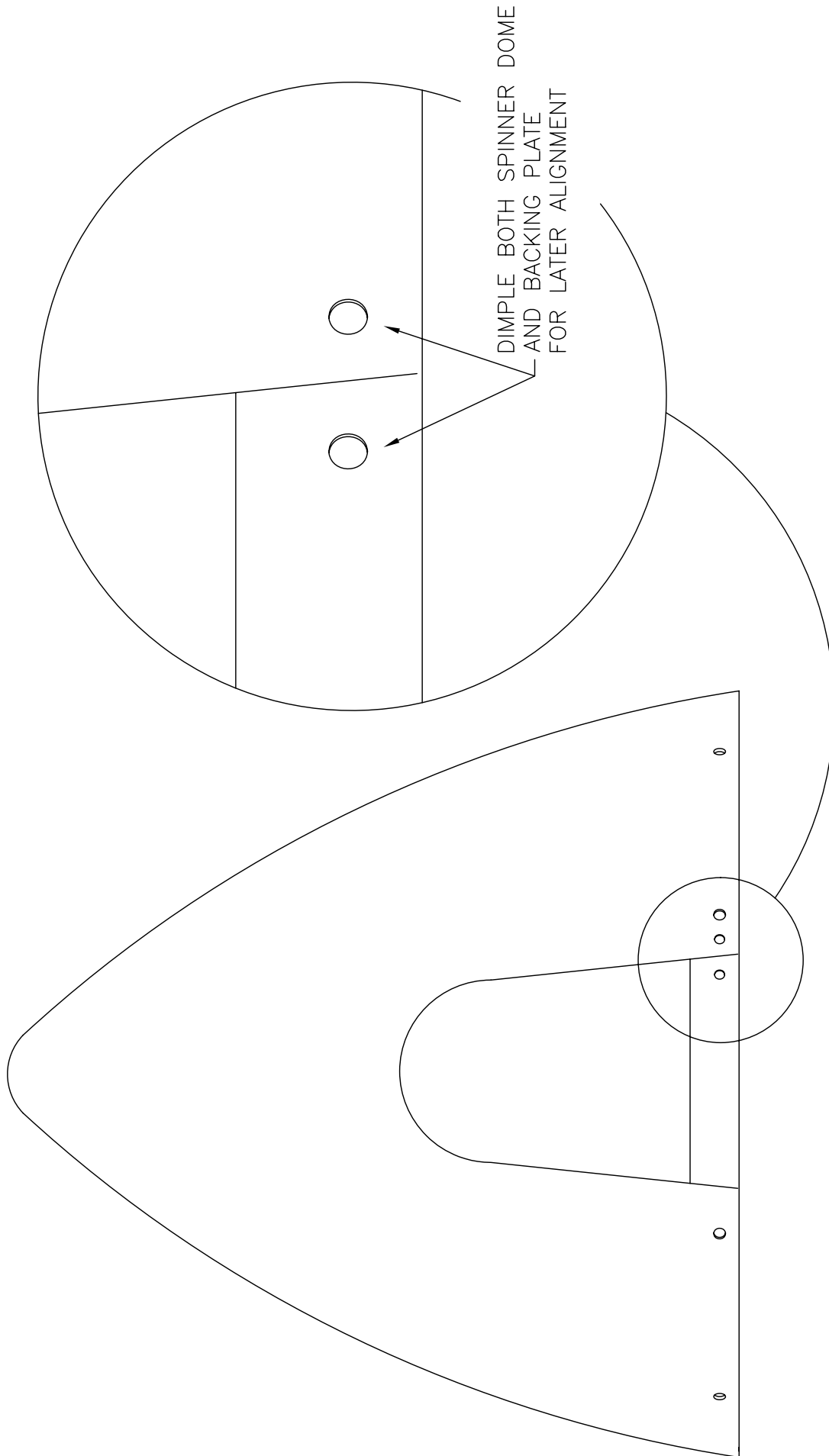
MD5228



**RRR S-19 VENTERRA**  
**SPINNER DRILLING**  
**FIGURE 14-07**

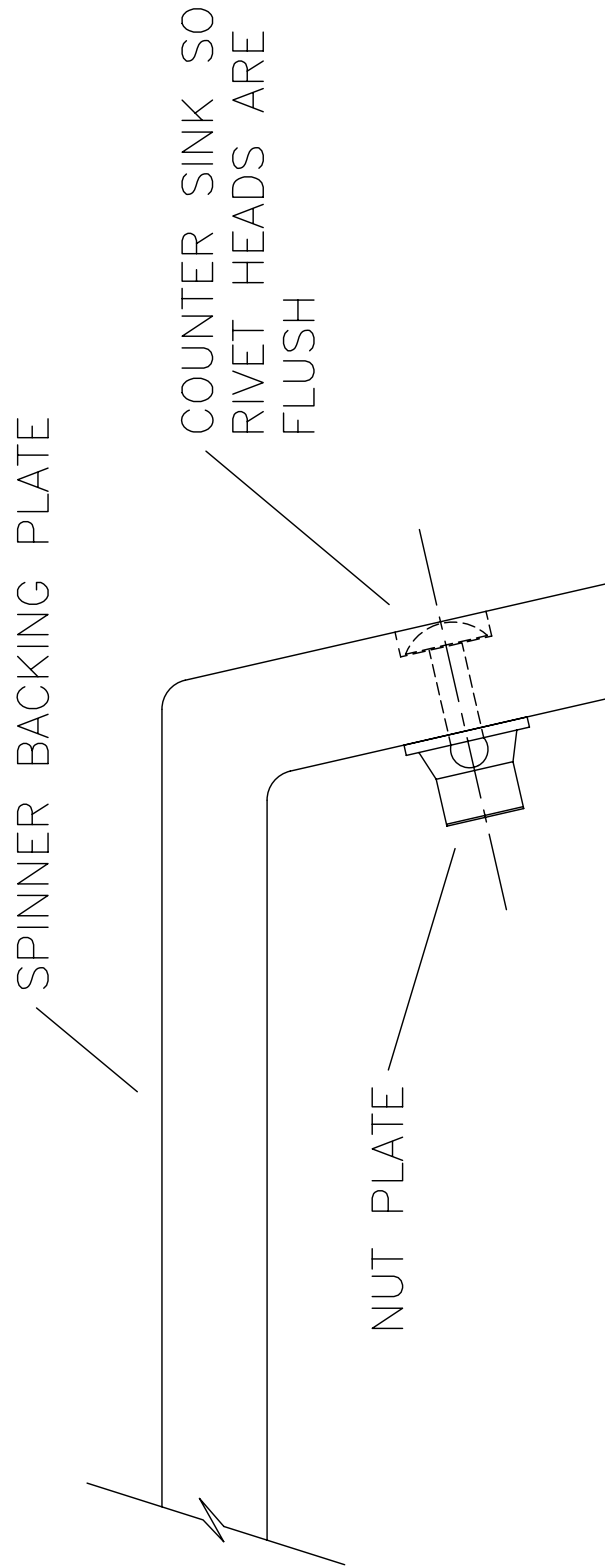
MD5228





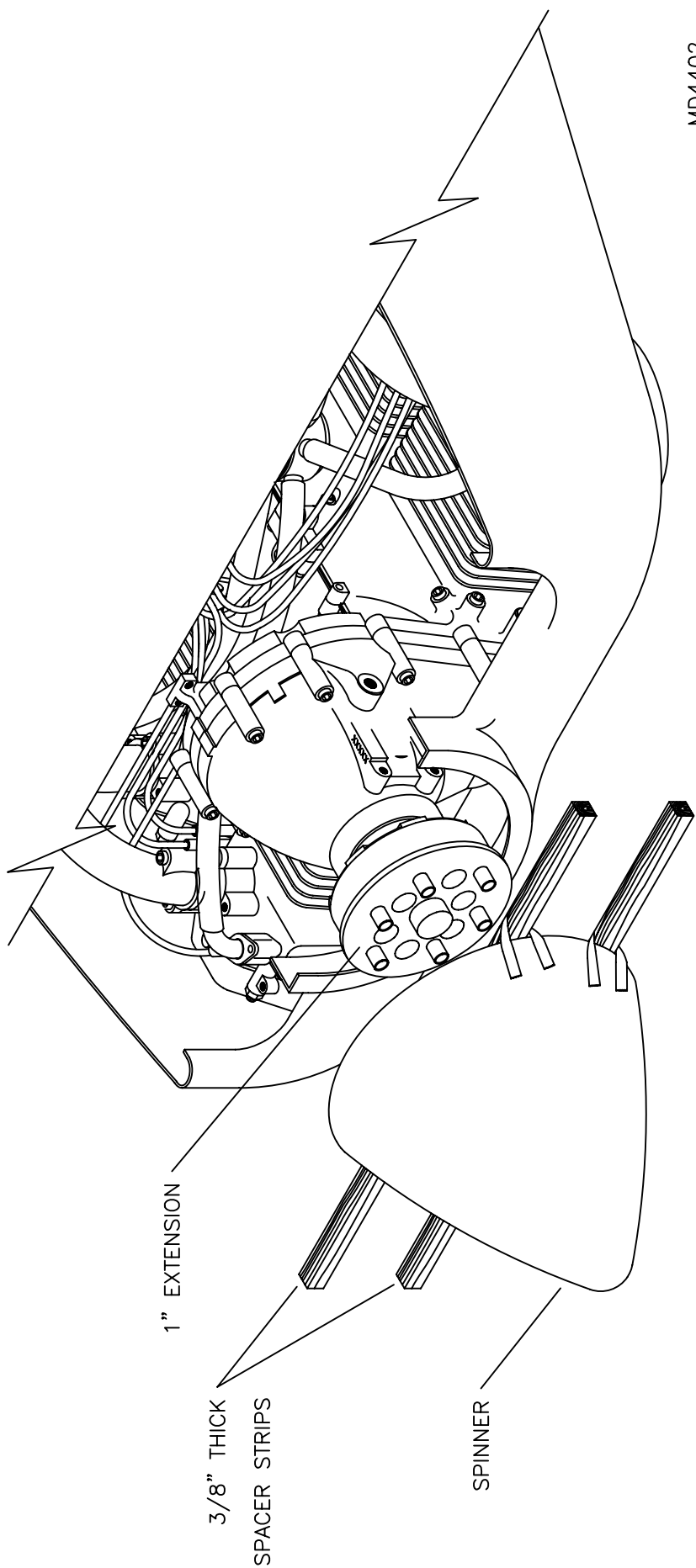
**RAMSES S-19 VENTERRA**  
**SPINNER ALIGNMENT MARKS**  
**FIGURE 14-10**

MD5228



**RAMSES S-19 VENTERRA**  
**SPINNER NUT PLATE INSTALLATION**  
**FIGURE 14-11**

MD5228



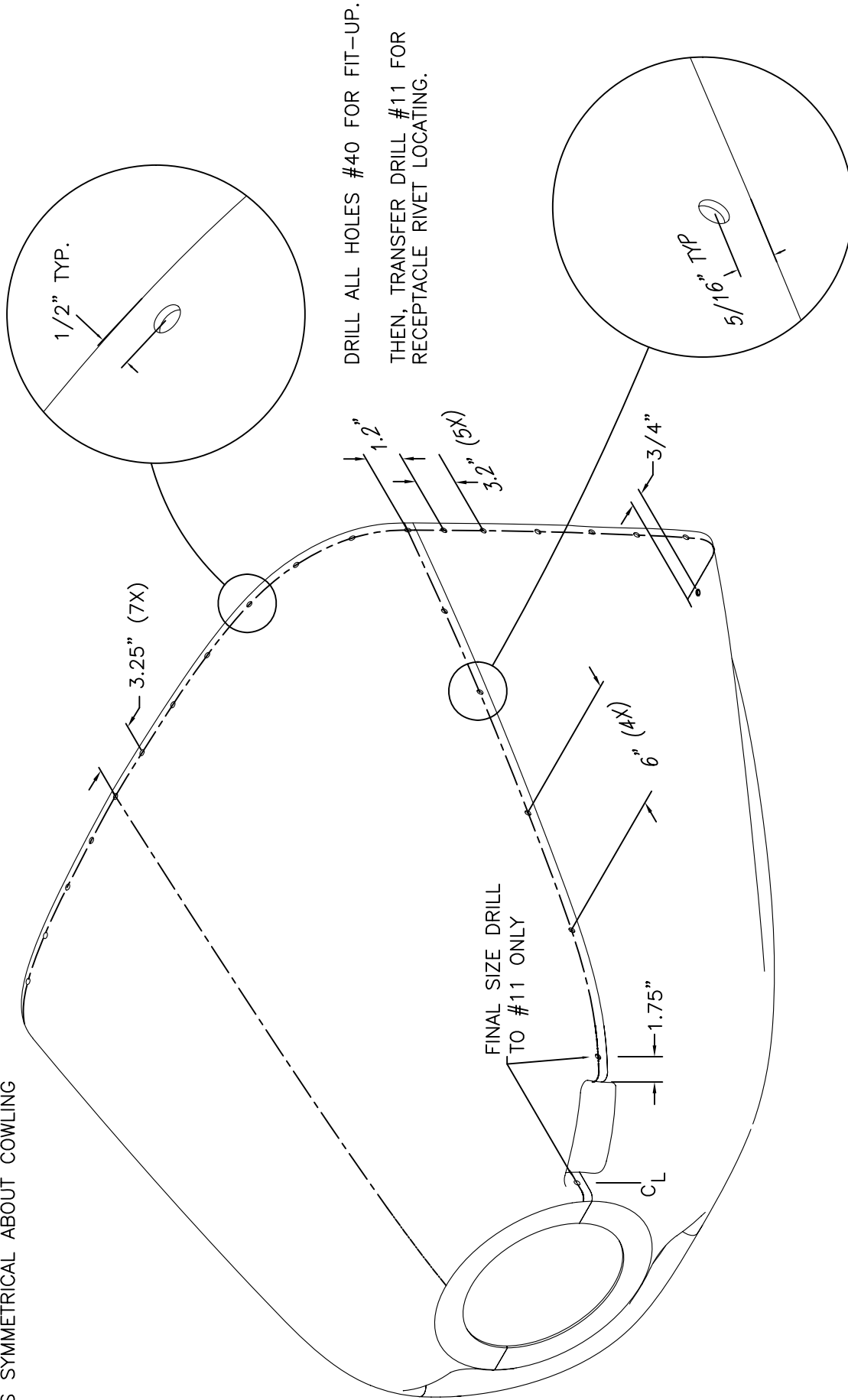
MD4402

IMPORTANT: INSTALLATION OF COWLING REQUIRES ENGINE, PROP EXTENSION AND SPINNER BACKING PLATE TO BE INSTALLED.

## RRMO S-19 VENTERRA COWLING TO SPINNER SPACING

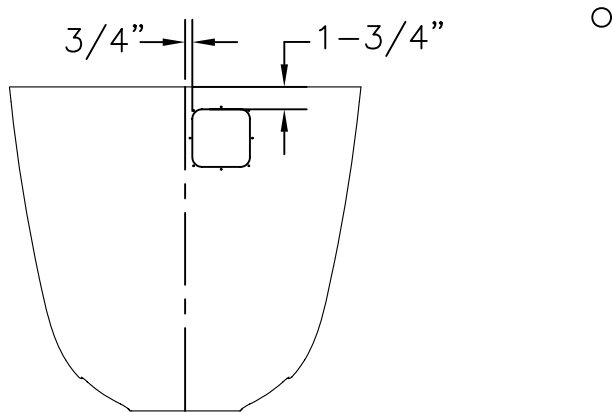
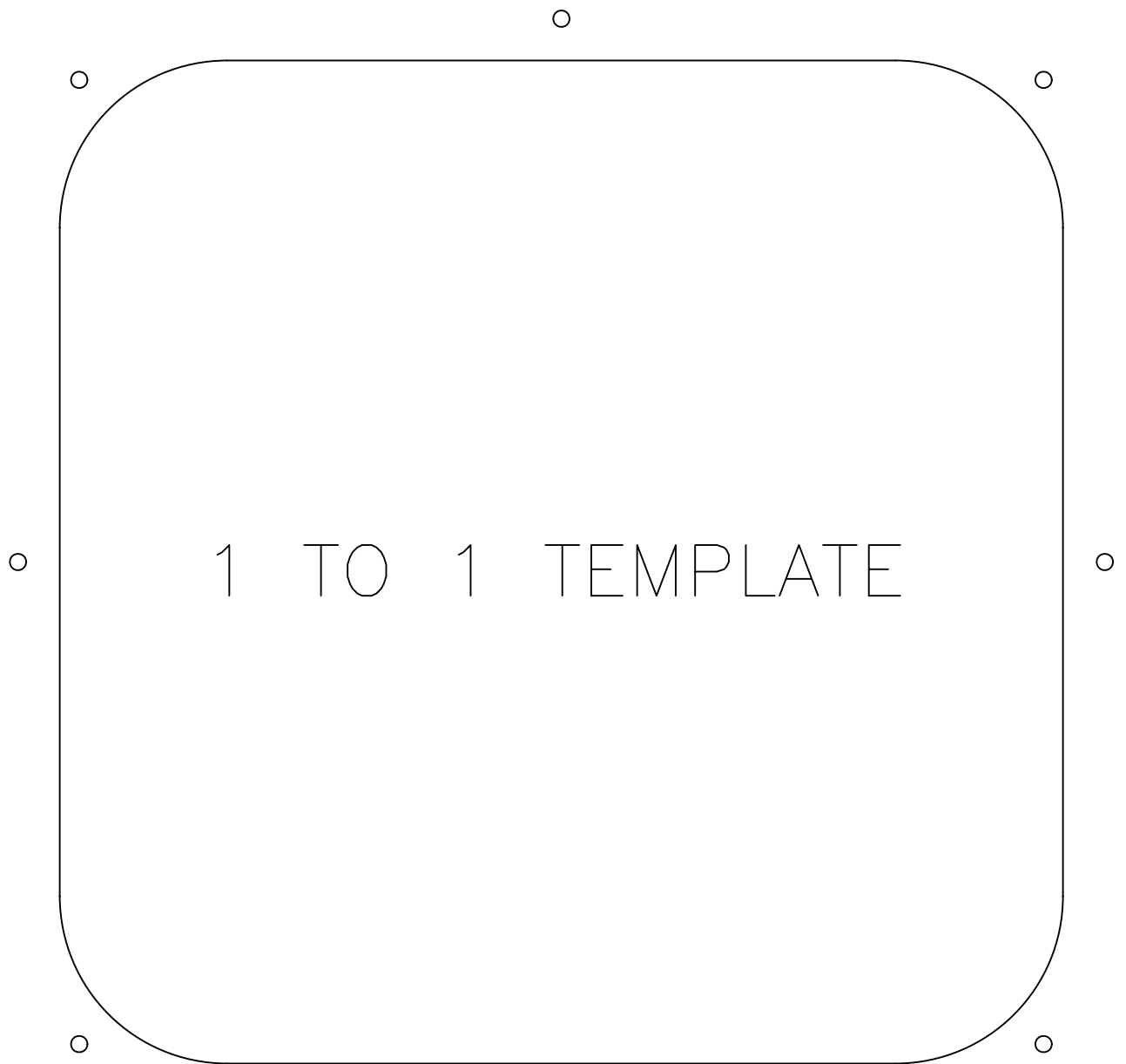
FIGURE 14A-02

SPACING IS SYMMETRICAL ABOUT COWLING



MD5138

**RRR** S-19 VENTERRA  
COWLING FASTENER SPACING  
FIGURE 14A-09

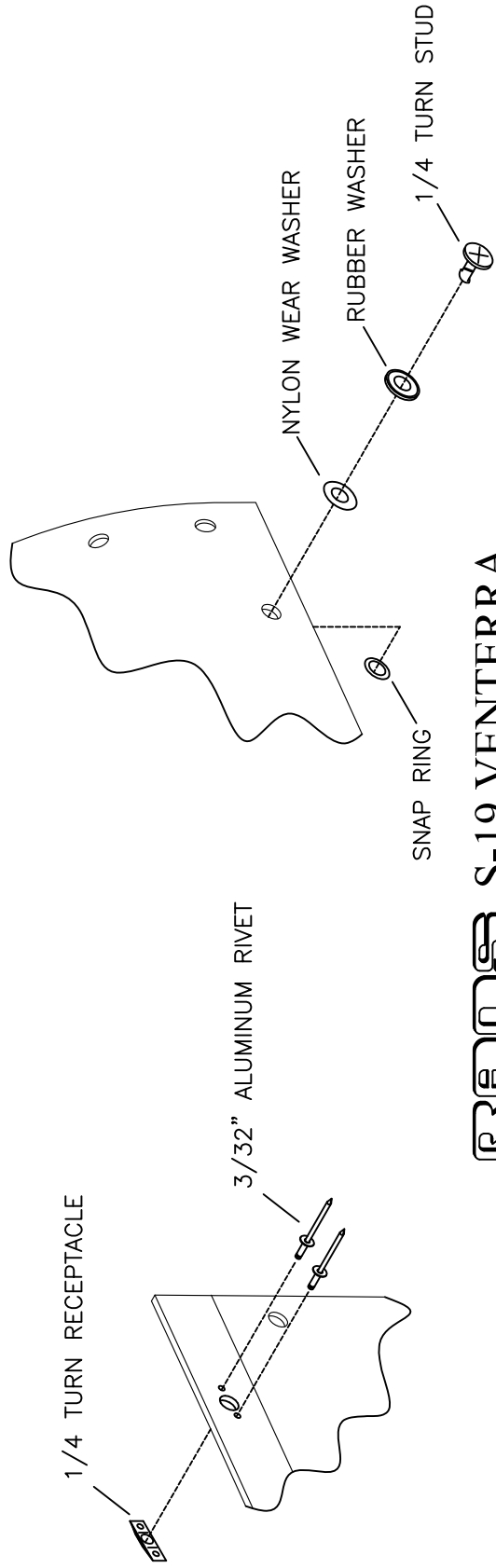
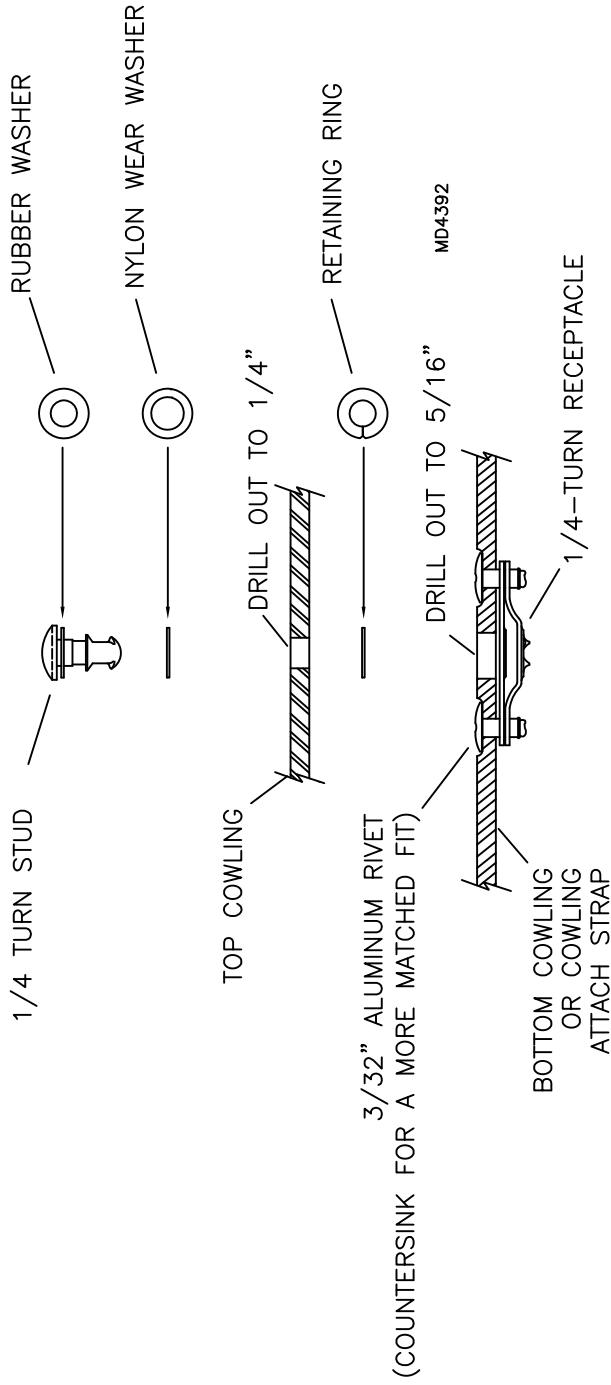


MD5142

MEASUREMENTS AFTER FINAL COWLING TRIM

**RANS** S-19 VENTERRA  
OIL CHECK DOOR TEMPLATE

FIGURE 14A-17



**RAMS S-19 VENTERRA**  
**1/4 TURN FASTENER INSTALLATION**  
**FIGURE 14A-22**

MD5143