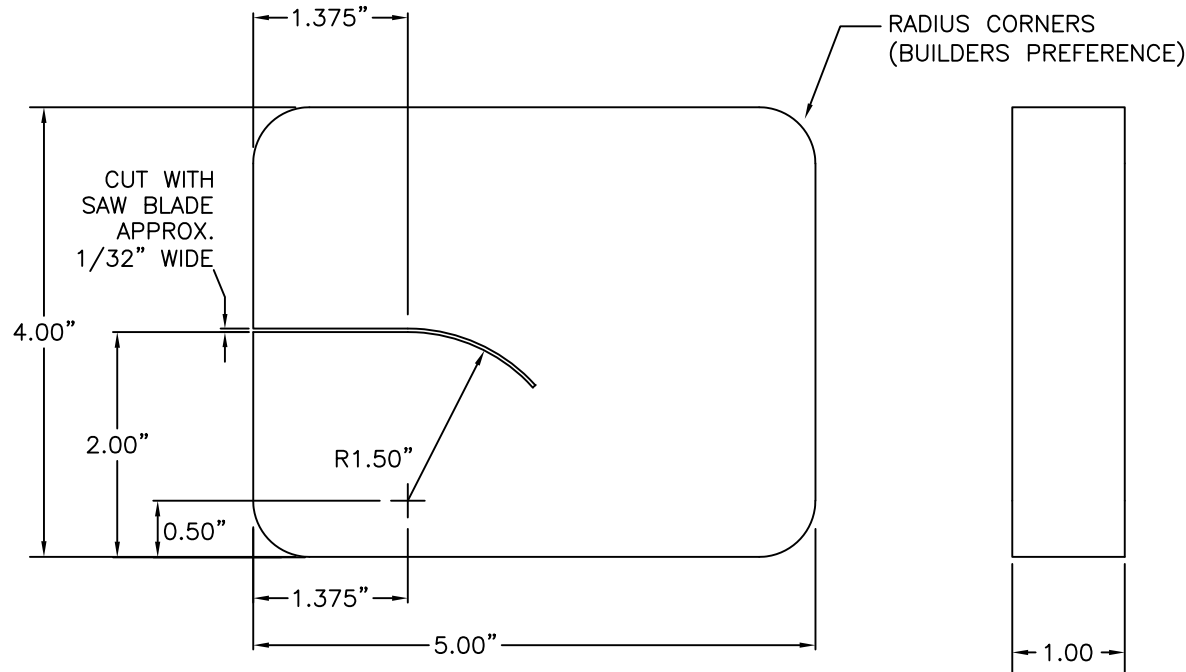
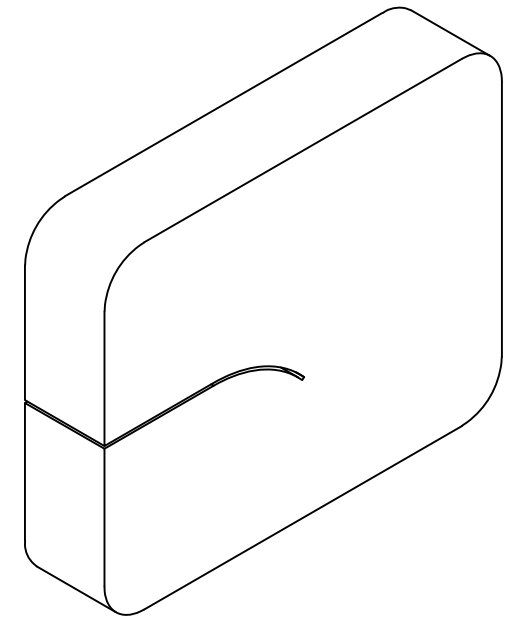


Fabricate the Leading Edge Forming Tool from 1" Nylon or similar material.  
 Clamp the leading edge of the Top Skin, top side UP,  
 to a table with 2-3/4" extending forward of the table edge.  
 Draw the Forming Tool down the leading edge of the skin.  
 Make sure the skin is fully inserted into the tool.  
 This will roll a slight edge, toward the spar, on the skin to prevent pillowing.  
 Repeat for the Bottom Skin, but make sure the lower side is UP.



**RANS S-21 OUTBOUND**  
**WING SKIN LEADING EDGE FORMING TOOL**

MD5650  
 REV. - ORIG