



4600 Highway 183 Alternate  
Hays, KS 67601  
(785) 625-6346  
Fax (785) 625-2795  
www.rans.com

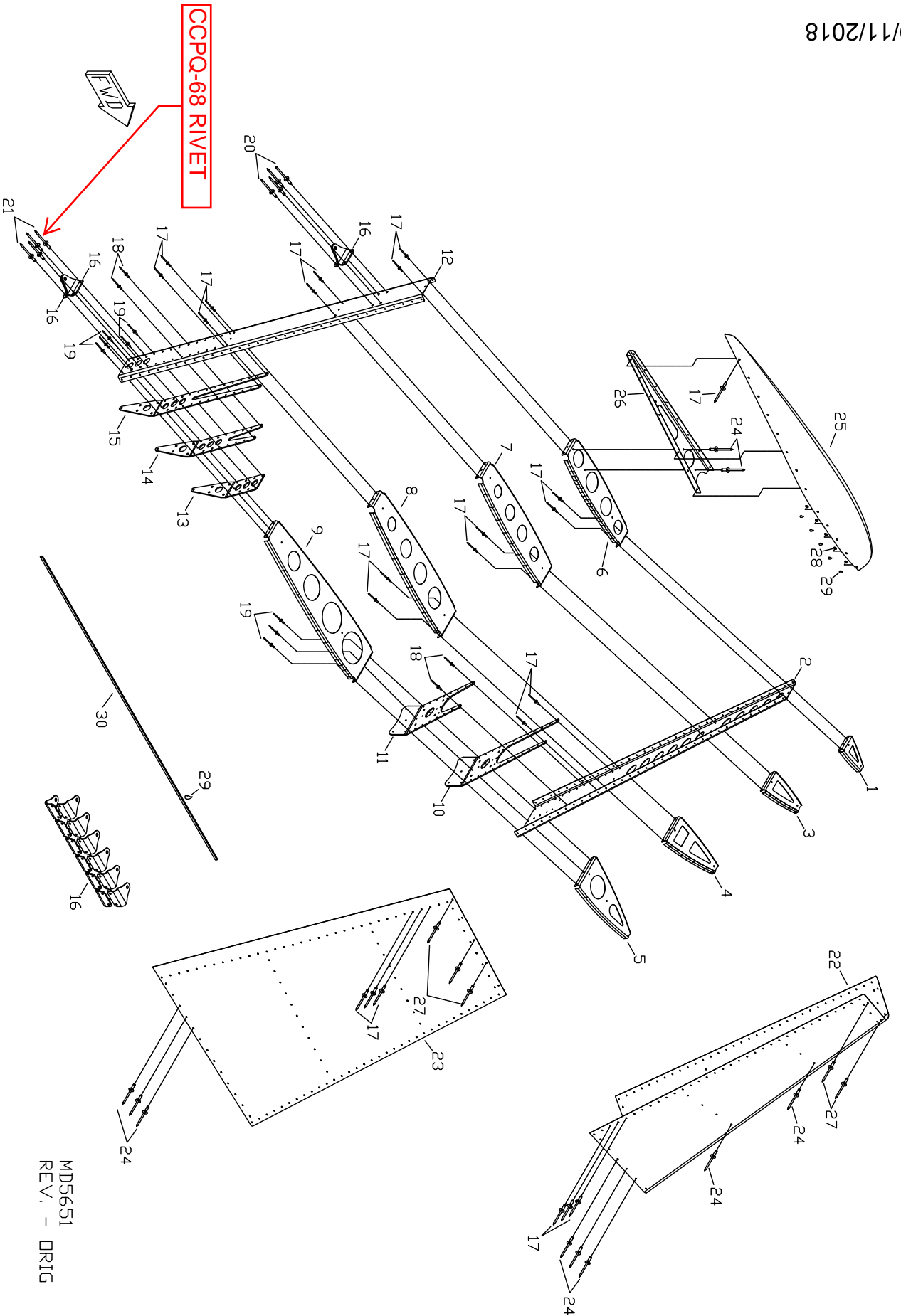
**Assembly Alert:** 188  
**Date:** December 4, 2018  
**Subject:** Rivet Length – Lower Rudder Hinge on Vertical Stabilizer  
**Compliance:** Mandatory  
**Models Affected:** S-21  
**Cost:** No Charge

It has come to our attention that the rivets retaining the lower Rudder Hinge (KPHS0086) should be a slightly longer CCPQ-68, rather than CCPQ-66. Refer to item #21 on Parts Pages 003-01 & 003-02, included below.

The four CCPQ-68 rivets will be sent to you, along with a copy of this Assembly Alert.

Thank you for your attention to this matter. Hopefully, we have not inconvenienced you to any great degree.

Fly safe.



**RRRNDG S-21 OUTBOUND  
VERTICAL STABILIZER FRAME & SKIN ASSEMBLY**

MDS5651  
REV. - DRIG

## VERTICAL STABILIZER FRAME & SKIN ASSEMBLY

#	DESCRIPTION	PART NUMBER	QUANTITY
1.	Vertical Fin Top Nose Rib	KPVS0100	1
2.	Vertical Fin FWD Spar	KPVS0103	1
3.	Vertical Fin Nose Rib #3	KPVS0110	1
4.	Vertical Fin Nose Rib #2	KPVS0109	1
5.	Vertical Fin Bottom Nose Rib	KPVS0104	1
6.	Vertical Top Aft Rib	KPVS0102	1
7.	Vertical Aft Rib #3	KPVS0112	1
8.	Vertical AFT Rib #2	KPVS0111	1
9.	Vertical Bottom Aft Rib	KPVS0101	1
10.	FWD Vertical Spar Gusset - #1	KPVS0105	1
11.	FWD Vertical Spar Gusset - #2	KPVS0106	1
12.	Vertical Fin Aft Spar	KPVS0096	1
13.	Vertical Fin Gusset - AFT - #1	KPVS0097	1
14.	Vertical Fin Gusset - AFT - #2	KPVS0098	1
15.	Vertical Fin Gusset - AFT - #3	KPVS0099	1
16.	Elevator and Rudder Hinge - Long *	KPHS0086	1
17.	1/8" Aluminum Rivet - Cherry Q	AAPQ-42	182
18.	1/8" Aluminum Rivet - Cherry Q	AAPQ-44	27
19.	1/8" Aluminum Rivet - Cherry Q	AAPQ-46	8
20.	3/16" Stainless Steel Rivet - Cherry Q	CCPQ-62	4
21.	3/16" Stainless Steel Rivet - Cherry Q	CCPQ-68	4
22.	Vertical Stabilizer Leading Edge Skin	KPVS0108	1
23.	Vertical Stabilizer Side Skin	KPVS0107	2
24.	1/8" Aluminum Rivet - Cherry Q	AAPQ-41	116
25.	Vertical Stabilizer Tip	KPVS0113	1
26.	Vertical Stabilizer Tip Rib	KPVS0114	1
27.	1/8" Aluminum Rivet - Cherry Q	AAPQ-43	16
28.	1/8" Small Brass Washer	AN960-B4	10
29.	Adhesive - Superglue or Silicone Seal **	----	0
30.	Rubber Trim	X1011	6 ft

\* Builder Modifies

\*\* Builder Supplied