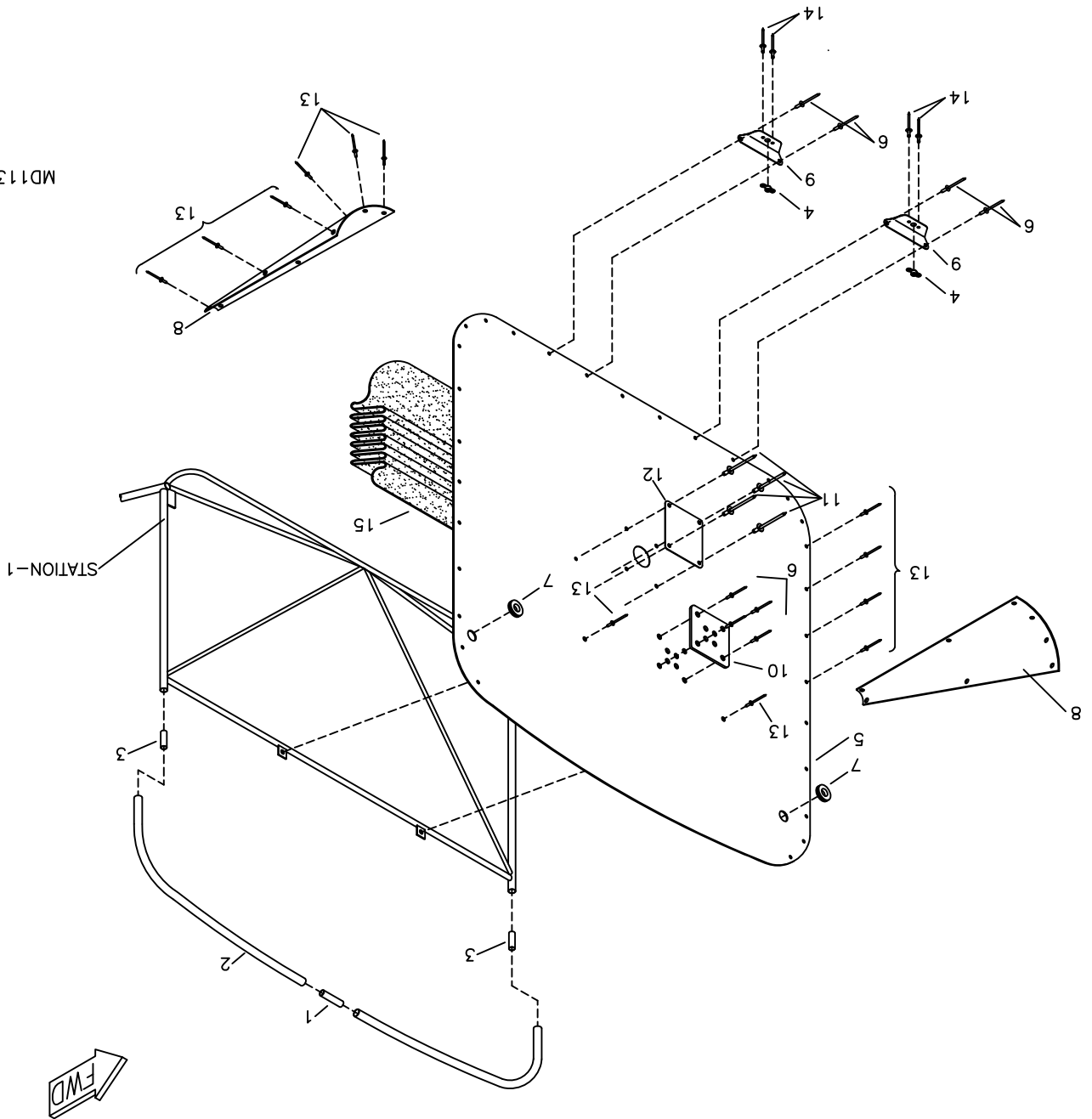


# RRMS S-6S COYOTE II 912UL/912ULS FIREWALL ASSEMBLY



MD1130

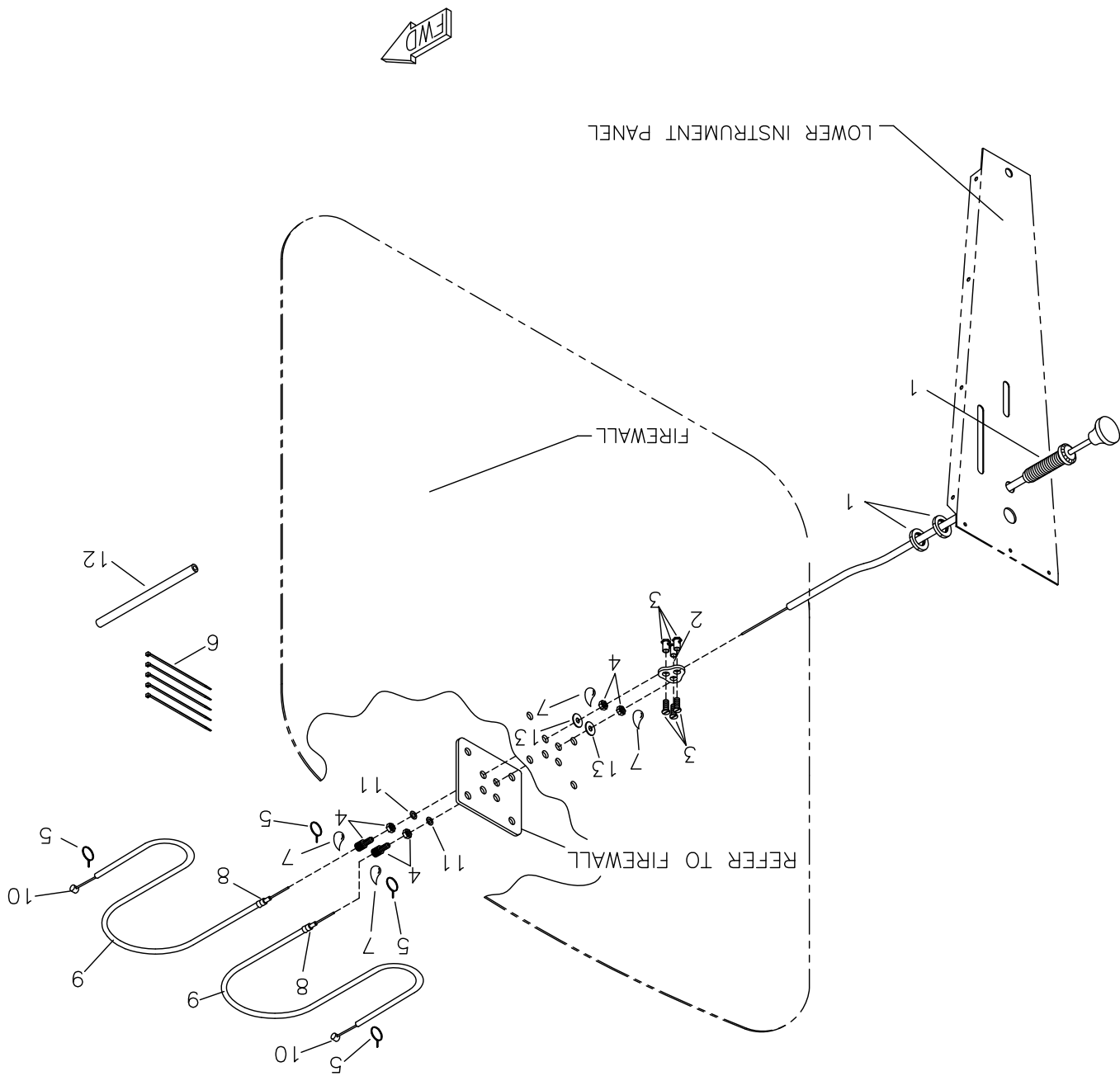


<b>#</b>	<b>DESCRIPTION</b>	<b>PART NUMBER</b>	<b>QUANTITY</b>
1.	Splice Tube, 3/4" x .058 x 4" *	KAAC0004-3	0
2.	S-1 Top Former	S1-TF-ES	2
3.	Reducer, 3/4" x .058 x 1" *	KAAC0004-3	0
4.	3/16" Nut Plate	K-1000-3	2
5.	Firewall	KPFW0014	1
6.	1/8" Stainless Steel Rivet - Cherry Q	CCPQ-42	8
7.	Rubber Grommet	MS35489-17	2
8.	Forward Contour Former	EC-FCF	2
9.	Mounting Bracket	KPAC0003	2
10.	Firewall Reinforcement	KPPW0289	1
11.	3/16" Stainless Steel Rivet - Cherry Q	CCPQ-62	4
12.	Heater Hole Patch	KPFW0015	1
13.	1/8" Aluminum Rivet - Cherry Q	AAPQ-42	55
14.	3/32" Aluminum Pop Rivet	40APR1/8	4
15.	Firewall Soundproofing	S1-FWSP	1

\*Builder fabricates from raw stock.

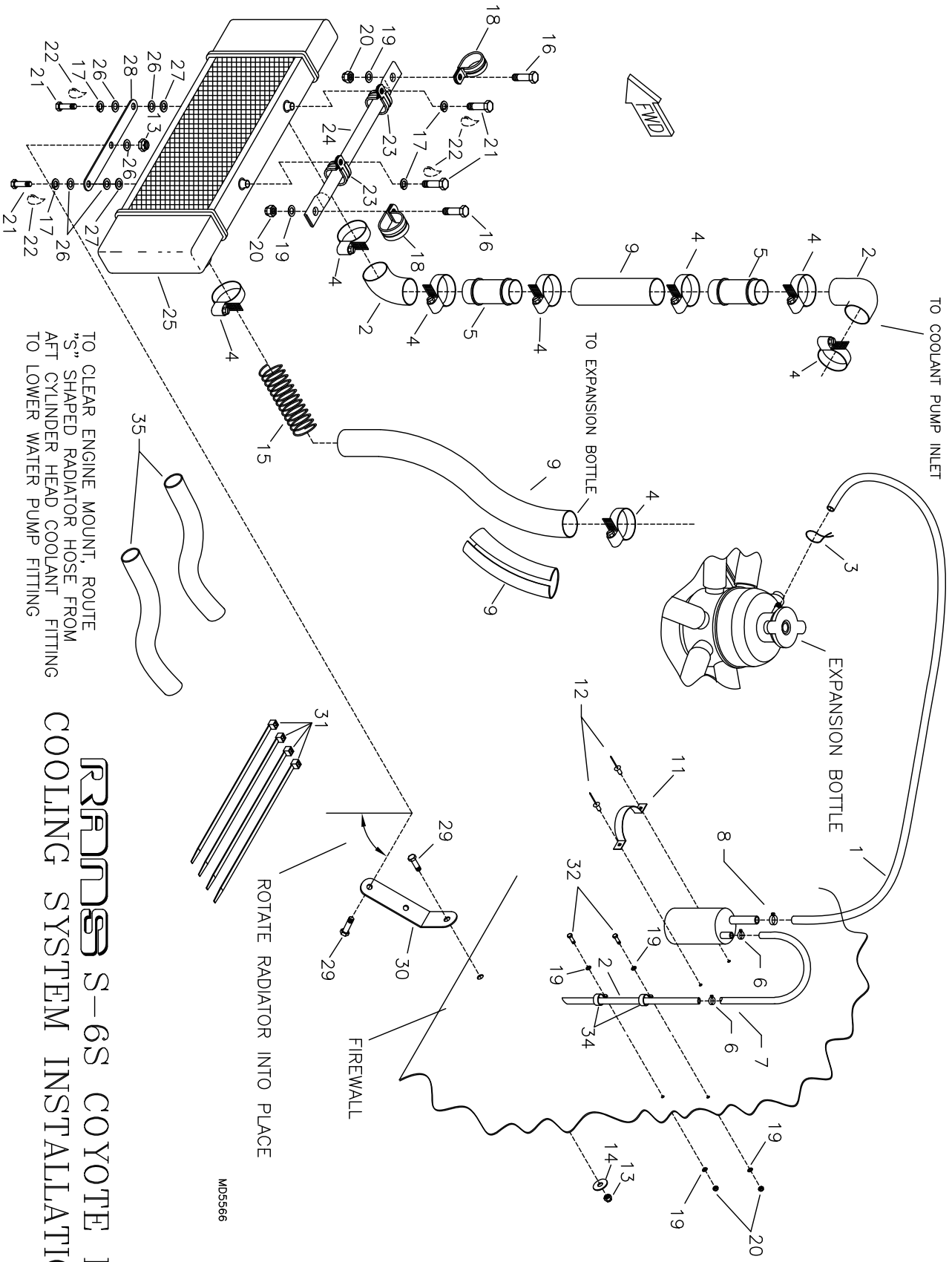
# RRMS S-6S COYOTE II 912UL/912ULS CHOKE SYSTEM

MD5565



<b>#</b>	<b>DESCRIPTION</b>	<b>PART NUMBER</b>	<b>QUANTITY</b>
1.	Push Pull Choke Cable	4-336	1
2.	Mixer Plate	KPPW0076	1
3.	Wire Stop/Screw	2361	3
4.	Adjustable Cable Ferrule	12553	2
5.	Safety Wire *	-----	0
6.	Zip Ties	N-TIES	5
7.	Loctite *	-----	0
8.	Cable Ferrule Cap	ENDCAP-12000	2
9.	Cable Housing, 43"	CK-CAB-H	2
10.	Choke Cable	BC-105	2
11.	1/4" Thin Washer	AN960-416L	2
12.	1/4" Blue Fuel Line	FS-FL	0.5 ft
13.	1/4" Plastic Washer	PW-4	2

\* Builder Supplied



**RED BULL S-6S COYOTE II**  
**COOLING SYSTEM INSTALLATION**

MDS566

<b>#</b>	<b>DESCRIPTION</b>	<b>PART NUMBER</b>	<b>QUANTITY</b>
1.	5/16" Overflow Hose	EGCS-OFH	3 ft
2.	Pre-formed Radiator "U" Hose **	KSPW0075	1
3.	Safety Wire *	-----	0
4.	Hose Clamp - 1 1/2"	5-5216	8
5.	Cooling Tube - Union	KPPW0189	2
6.	Line Clamp, 5/16"	FS-LCL 5/16	2
7.	1/4" Blue Hose	FS-FL	2 ft
8.	Line Clamp, 3/8"	FS-LCL 3/8	1
9.	1" Radiator Hose	RADIATOR HOSE	3 ft
10.	Coolant Recovery Bottle	EGCS-CRB	1
11.	Coolant Recovery Clamp	FS-HS	1
12.	3/16" Aluminum Rivet - Cherry Q	AAPQ-62	2
13.	1/4" Shear Nut	AN364-428A	4
14.	1/4" Large Washer	AN970-4	1
15.	Hose Spring	EGCS-HS	1
16.	3/16" Bolt	AN3-5A	2
17.	1/4" Loc Washer	AN935-416L	4
18.	5/8" Cushioned Tube Clamp	MS21919-DG10	2
19.	3/16" Thin Washer	AN960-10L	6
20.	3/16" Shear Nut	AN364-1032A	4
21.	6MM X 16MM Bolt	M6X16 BOLT	4
22.	Loctite - Blue *	-----	0
23.	3/8" Cushioned Tube Clamp	MS21919-WDG6	2
24.	Radiator Support Tube	KPPW0290	1
25.	Radiator	KSPW0071	1
26.	1/4" Thin Washer	AN960-416L	6
27.	1/4" Thick Washer	AN960-416	2
28.	Radiator Support Bracket	KPAC0174	1
29.	1/4" Bolt	AN4-5A	2
30.	Bent Radiator Support Bracket	KPPW0291	1
31.	Nylon Tie	N-TIES	4
32.	3/16" Bolt	AN3-3A	2
33.	Aluminum Overflow Tube, 1/4" x .028" x 8" ***	KAAC0004-4	0
34.	Plain Clamp	AN742-D4	2
35.	Pre-formed Radiator "S" Hose	KSPW0025	2

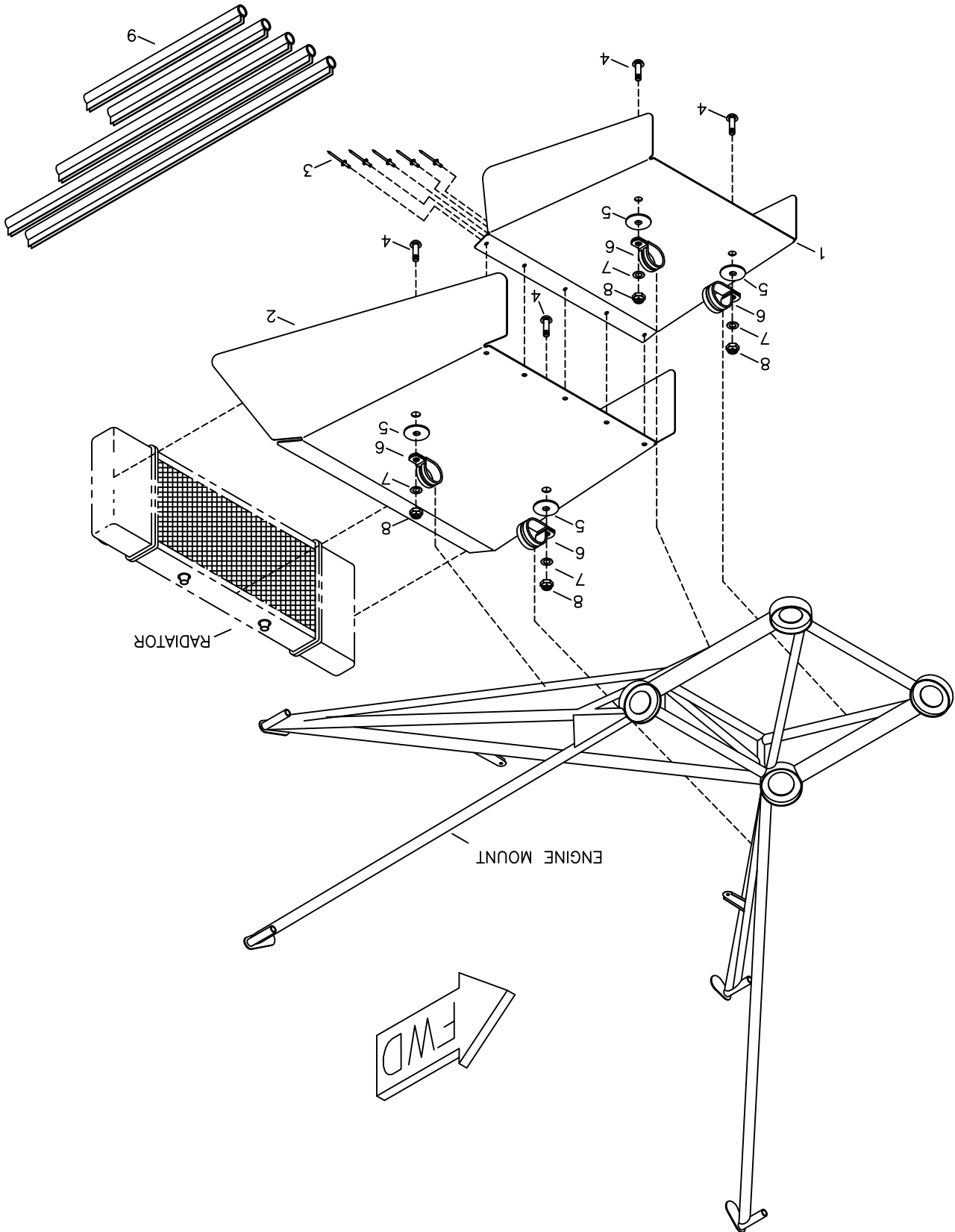
\* Builder Supplied

\*\* Builder Modifies

\*\*\* Builder must fabricate from raw stock.

# RANDS S-6S COYOTE II RADIATOR DUCT INSTALLATION

MD5571

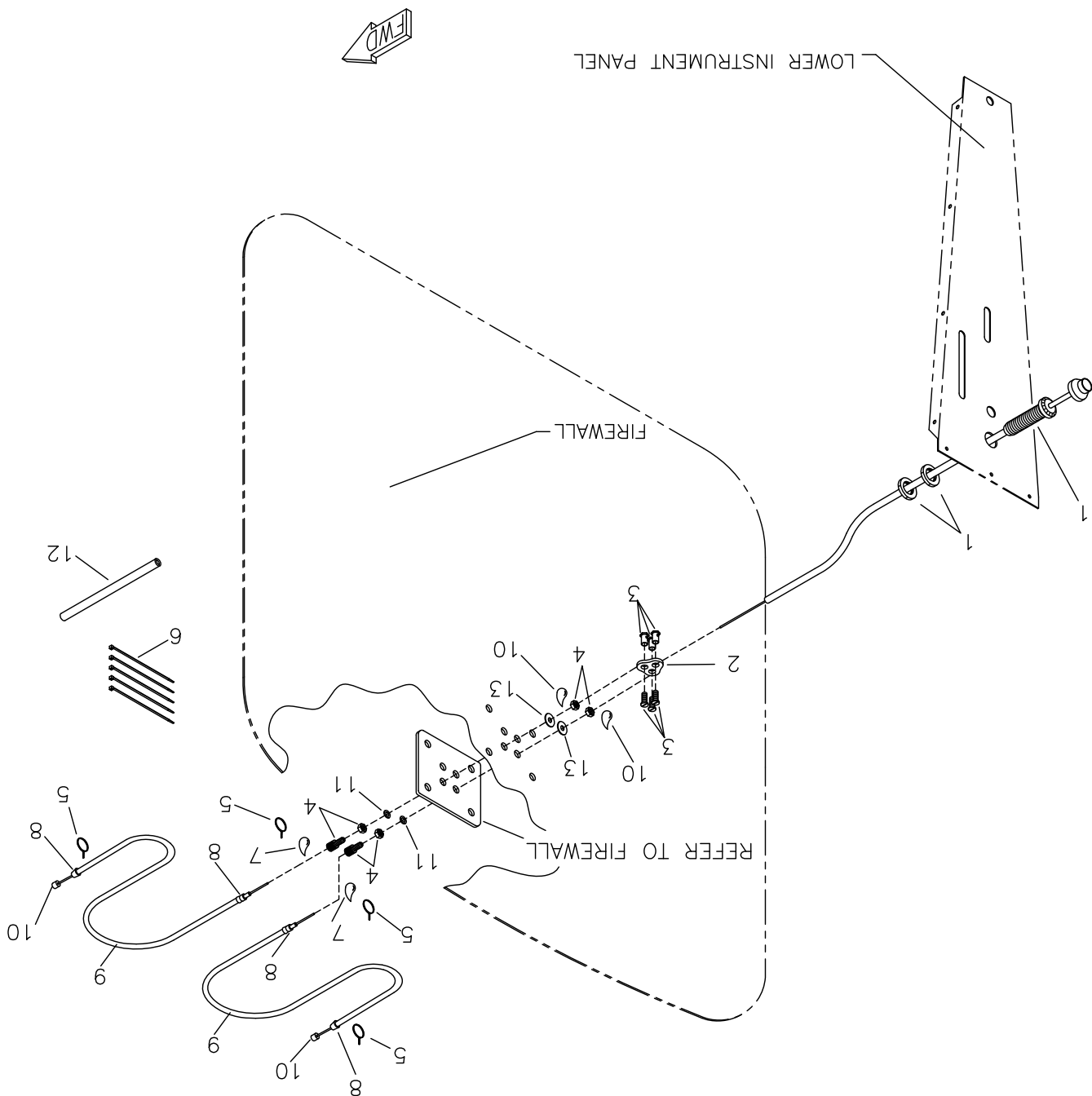


<b>#</b>	<b>DESCRIPTION</b>	<b>PART NUMBER</b>	<b>QUANTITY</b>
1.	FWD Inlet Duct	KPPW0287	1
2.	AFT Inlet Duct	KPPW0288	1
3.	1/8" Aluminum Rivet - Cherry Q	AAPQ-41	5
4.	3/16" Truss Head Bolt	AN526-C1032R12	4
5.	3/16" Large Washer	AN970-3	4
6.	5/8" Cushioned Tube Clamp	MS21919-DG10	4
7.	3/16" Thin Washer	AN960-10L	4
8.	3/16" Shear Nut	AN364-1032A	4
9.	Trimlock - Cushion Lip	4100C-1/16	4.5 ft



# RANDS S-6S COYOTE II 912UL/912ULS THROTTLE ASSEMBLY

MD5565

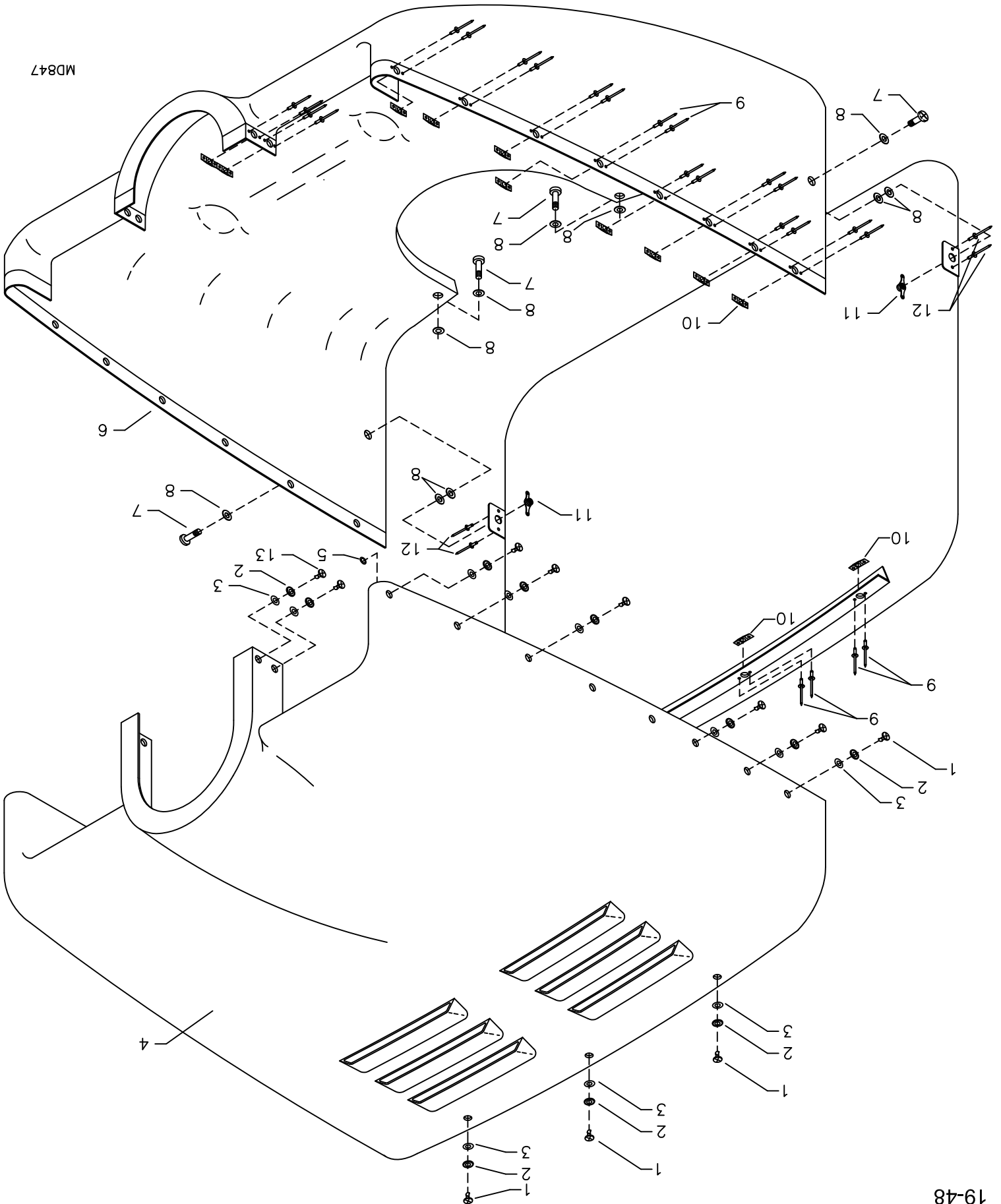


<b>#</b>	<b>DESCRIPTION</b>	<b>PART NUMBER</b>	<b>QUANTITY</b>
1.	Throttle	05-08036	1
2.	Mixer Plate	KPPW0076	1
3.	Wire Stop/Screw	2361	3
4.	Adjustable Cable Ferrule	12553	2
5.	Safety Wire*	-----	0
6.	Nylon Tie	N-TIES	5
7.	Loctite Blue*	-----	0
8.	Cable Ferrule Cap	ENDCAP-12000	4
9.	Throttle Cable Housing	EG-T-CAB-H	8 ft
10.	Throttle Cable	EG-T-CAB	2
11.	1/4" Thin Washer	AN960-416L	2
12.	1/4" Blue Fuel Line	FS-FL	0.5 ft
13.	1/4" Plastic Washer	PW-4	2

\* Builder Supplied

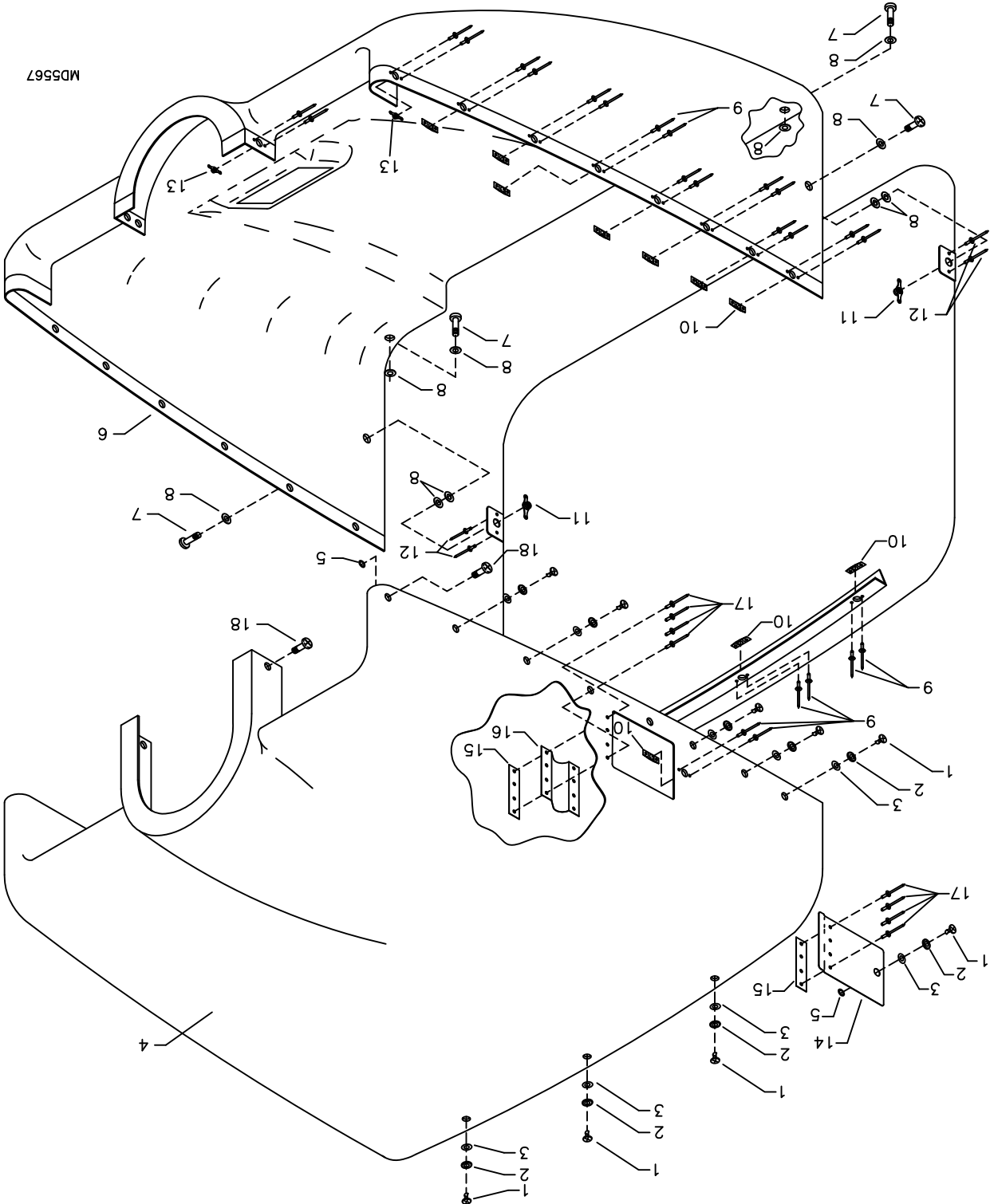
# RRMS S-6S COYOTE II COWLING ASSEMBLY - 582

01/15/2013



<b>#</b>	<b>DESCRIPTION</b>	<b>PART NUMBER</b>	<b>QUANTITY</b>
1.	1/4 Turn Stud, 582	#180	19
2.	Rubber Washer, 582	#201	23
3.	Wear Washer Nylon, 582	#103	23
4.	S-6S Cowling Top, 503/582	KPCW0038	1
5.	Snap Ring, 582	#101	19
6.	S-6S Cowling Bottom, 503/582	KPCW0037	1
7.	3/16" Truss Head Bolt	AN526-C1032R12	4
8.	3/16" Plastic Washer	PW-3	10
9.	3/32" Aluminum Pop Rivet, 582	40APR1/4	46
10.	1/4 Turn Receptacle, 582	#302	23
11.	3/16" Nut Plate	K-1000-3	2
12.	3/32" Aluminum Pop Rivet	40APR1/8	4
13.	1/4 Turn Stud	#200	4

# RRMS S-6S COYOTE II COWLING ASSEMBLY - 912



<b>#</b>	<b>DESCRIPTION</b>	<b>PART NUMBER</b>	<b>QUANTITY</b>
1.	1/4 Turn Stud, 912/912S	#180	18
2.	Rubber Washer, 912/912S	#201	18
3.	Wear Washer Nylon, 912/912S	#103	18
4.	S-6S Cowling - Upper - Fiberglass - 912	KPCW0043-F	1
4.	S-6S Cowling - Upper - Optional - Carbon Fiber - 912	KPCW0043-C	1
5.	Snap Ring, 912/912S	#101	18
6.	S-6S Cowling - Lower - Fiberglass - 912	KPCW0042-F	1
6.	S-6S Cowling - Lower - Optional - Carbon Fiber - 912	KPCW0042-C	1
7.	3/16" Truss Head Bolt	AN526-C1032R12	4
8.	3/16" Plastic Washer	PW-3	10
9.	3/32" Aluminum Pop Rivet	40APR1/4	44
10.	1/4 Turn Receptacle	#302	18
11.	3/16" Nut Plate	K-1000-3	2
12.	3/32" Aluminum Pop Rivet	40APR1/8	4
13.	8-32 Nut Plate	MS21047-08	4
14.	Oil Tank Access Door	KPCW0025	1
15.	Oil Tank Access Door - Raw Stock Kit	KAAC0039	1
15.	Aluminum Strip, 3/4" x .020 x 7" *	KAAC0039-1	0
16.	Vinyl Fabric, 2 1/2" x 3 1/2"	KAAC0039-2	0
17.	1/8" Aluminum Rivet - Avex	1691-0410	8
18.	#8 Truss Head Screw	AN515-8R7	4

\*Raw Stock, cut into 2 pieces.