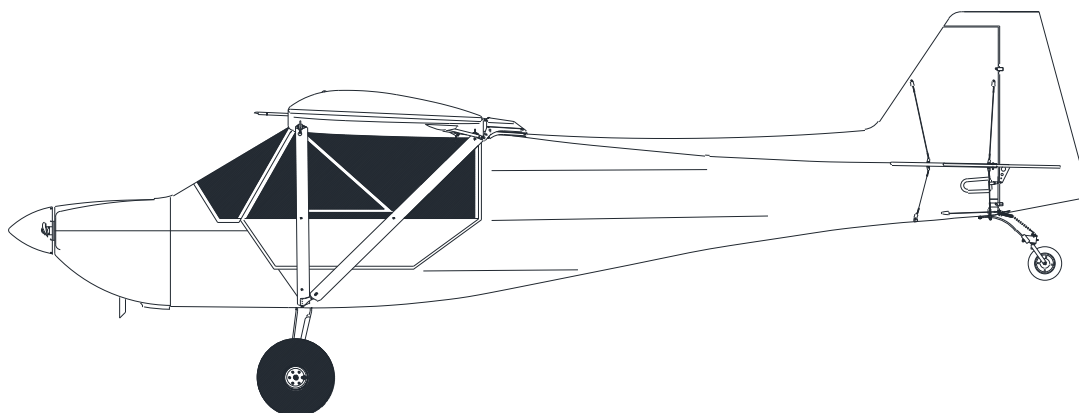




RANS

S-7S COURIER

PARTS MANUAL



Serial Number:

Registration Number:

COPYRIGHT ©

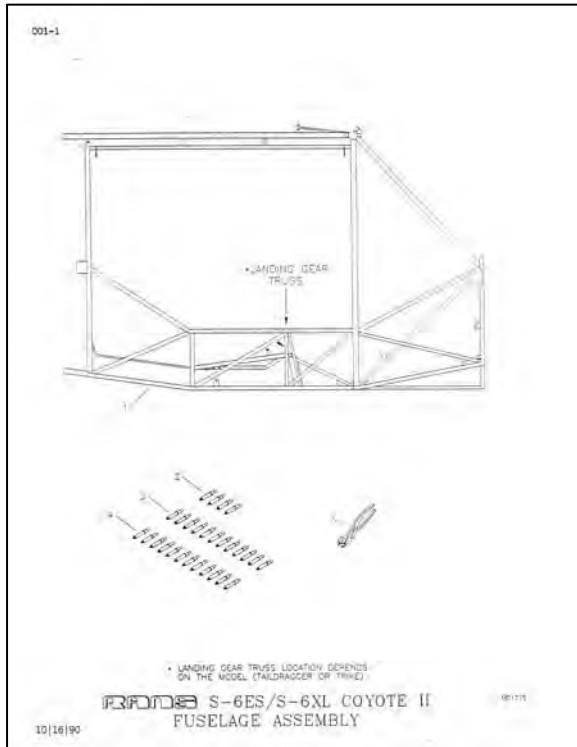
RANS DESIGNS
4600 HWY 183 Alt
HAYS, KANSAS, USA 67601
785-625-6346
www.rans.com

09/01/2014

The RANS CD manual is designed to be printable on 3-hole punched paper on your home printer. If you have the pre-printed manual, follow the directions for rotation below.

If you desire to NOT print the pages, you may use the features available with ADOBE Reader to rotate the pages on your computer screen.

After the manual pages are printed, rotate the Parts Drawing page 180° to face the Parts List page. See the diagram below.



Parts Drawing page

001-2

S-6ES COYOTE II - FUSELAGE

#	DESCRIPTION	PART NUMBER	QUANTITY
1	S-6ES Fuselage (Taildragger)	KAFU0003	1
1	S-6ES Fuselage (Triple)	KAFU0005	1
2	#40 Silver Clecos	#40CLECOS	4
3	#30 Copper Clecos	#30CLECOS	12
4	#11 Cleco Clews	#11CLECOS	12
5	Cleco Pliers	CLECO PLIERS	1

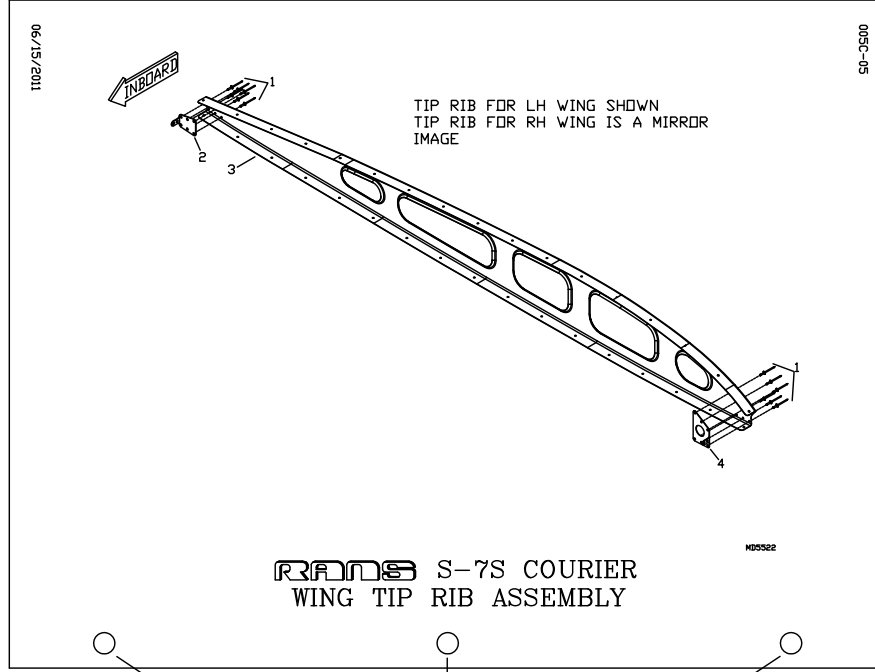
2249H

Parts List page

STEP 1:

PARTS MANUAL AS SHIPPED or PRINTED.
PLACE IN 3-RING BINDER TO SECURE.

PARTS DRAWING PAGE



3-HOLE PUNCH

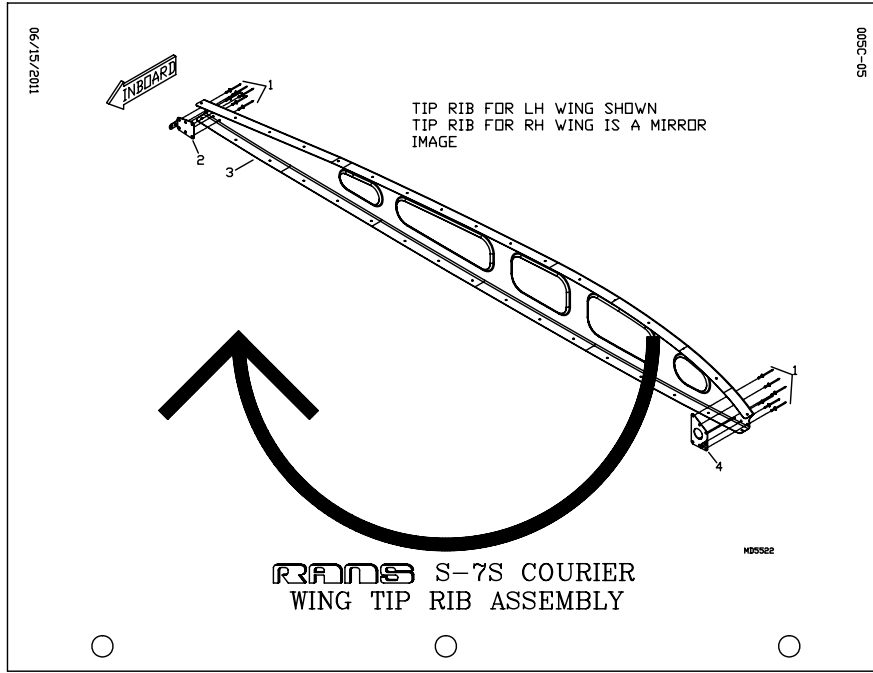
EXAMPLE ONLY.
MAY NOT REPRESENT ACTUAL PAGES
FROM YOUR MANUAL.

SEE NEXT PAGE

STEP 2:

OPEN 3-RING BINDER.
 REMOVE PARTS DRAWING PAGE AND
 ROTATE 180° TO FACE
 CORRESPONDING
 PARTS DESCRIPTION PAGE.
 REPEAT FOR REMAINING PAGES

PARTS DRAWING PAGE



PARTS DESCRIPTION PAGE

PAGE 005C-06

S-7S COURIER - WING - TIP RIB ASSEMBLY

#	DESCRIPTION	PART NUMBER	QUANTITY
1.	1/8" ALUMINUM RIVET	AAQC-41	24
2.	RIB CLIP TRAILING EDGE - LH	KPW0372-L	4
2.	RIB CLIP TRAILING EDGE - RH	KPW0372-R	1
3.	WING TIP RIB - LH	KPW0544-L	1
3.	WING TIP RIB - RH	KPW0544-R	1
4.	RIB CLIP LEADING EDGE - LH	KPW0373-L	1
4.	RIB CLIP LEADING EDGE - RH	KPW0373-R	1

6/15/2011

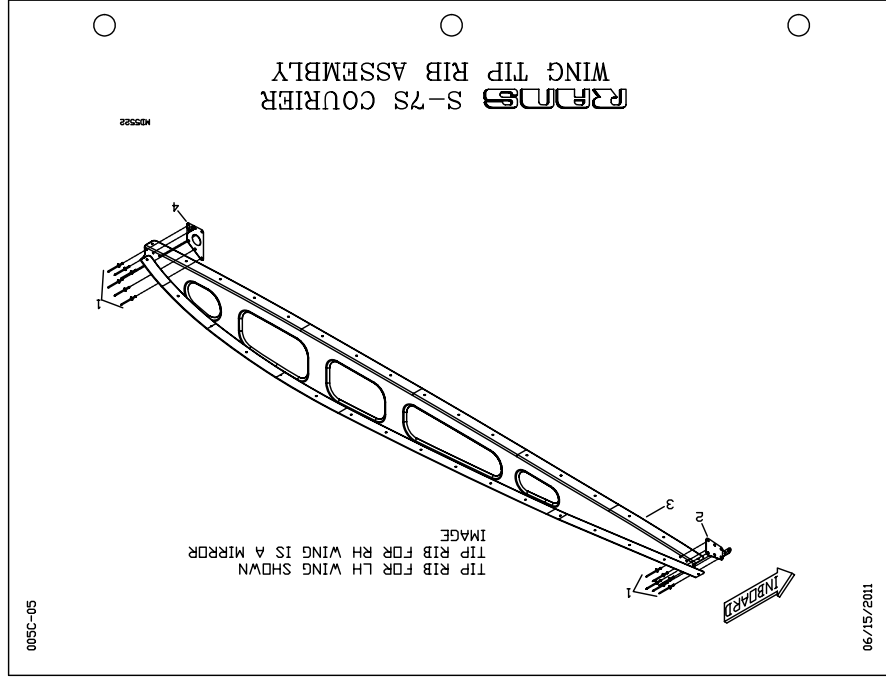
EXAMPLE ONLY.
 MAY NOT REPRESENT ACTUAL PAGES
 FROM YOUR MANUAL.

SEE NEXT PAGE

STEP 3:

PARTS DRAWING PAGE
 FACES CORRESPONDING
 PARTS DESCRIPTION PAGE
 WHEN FINAL SECURED IN
 BINDER

PARTS DRAWING PAGE



PARTS DESCRIPTION PAGE

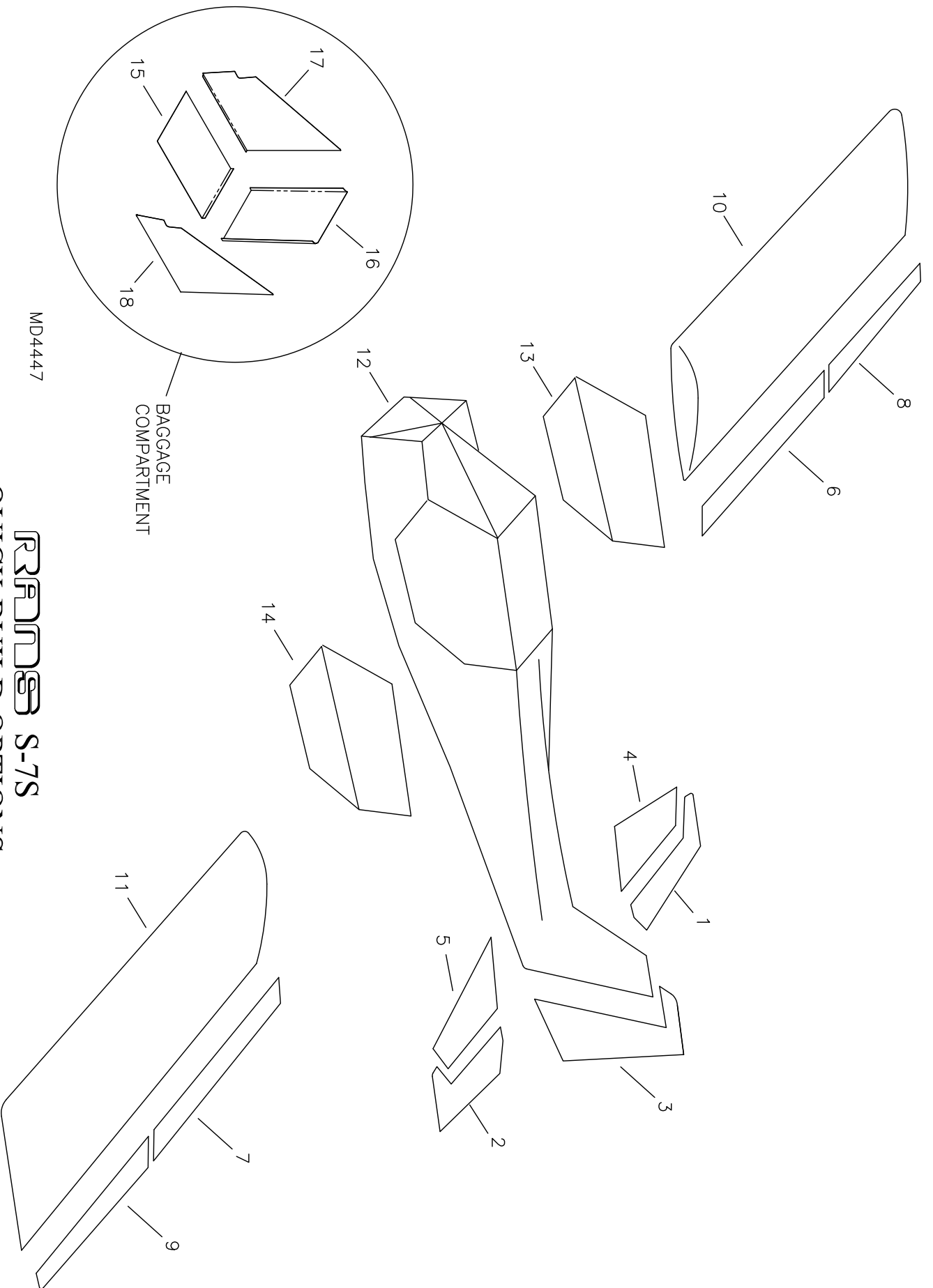
PAGE 005C-06

S-75 COURIER - WING - TIP RIB ASSEMBLY

#	DESCRIPTION	PART NUMBER	QUANTITY
1.	1/8" ALUMINUM RIVET	AAPQ-41	24
2.	RIB CLIP TRAILING EDGE - LH	KPW0372-L	4
2.	RIB CLIP TRAILING EDGE - RH	KPW0372-R	1
3.	WING TIP RIB - LH	KPW0544-L	1
3.	WING TIP RIB - RH	KPW0544-R	1
4.	RIB CLIP LEADING EDGE - LH	KPW0373-L	1
4.	RIB CLIP LEADING EDGE - RH	KPW0373-R	1

6/15/2011

EXAMPLE ONLY.
 MAY NOT REPRESENT ACTUAL PAGES
 FROM YOUR MANUAL.



BAGGAGE
COMPARTMENT

MD4447

RRR S-7S QUICK BUILD OPTIONS

S-7S COURIER - QUICK BUILD OPTIONS

#	DESCRIPTION	PART NUMBER	QUANTITY
1.	Elevator Assembly RH - Quick Build	KAEL0022	1
2.	Elevator Assembly LH - Quick Build	KAEL0023	1
3.	Rudder Assembly - Quick Build	KARD0018	1
4.	Horiz. Stab. RH - Quick Build	KAHS0042	1
5.	Horiz. Stab. LH - Quick Build	KAHS0043	1
6.	Flap Assembly RH - Quick Build	KAFL0017	1
7.	Flap Assembly LH - Quick Build	KAFL0018	1
8.	Aileron Assembly (Aero Servo) RH - Quick Build	KAAL0016	1
9.	Aileron Assembly (Aero Servo) LH - Quick Build	KAAL0017	1
10.	Wing Assembly RH - Quick Build	KAWI0030	1
11.	Wing Assembly LH - Quick Build	KAWI0031	1
12.	Fuselage Assembly - Quick Build	KAFU0044	1
13.	Door Assembly RH - Quick Build	KADR0006-R	1
14.	Door Assembly LH - Quick Build	KADR0006-L	1
15.	Bottom - Baggage Compartment - Quick Build	KPIN0102	1
16.	Back - Baggage Compartment - Quick Build	KPIN0103	1
17.	Side Panel - Baggage Compartment - RH - Quick Build	KPIN0104-R	1
18.	Side Panel - Baggage Compartment - LH - Quick Build	KPIN0104-L	1

S-7S COURIER - GENERAL

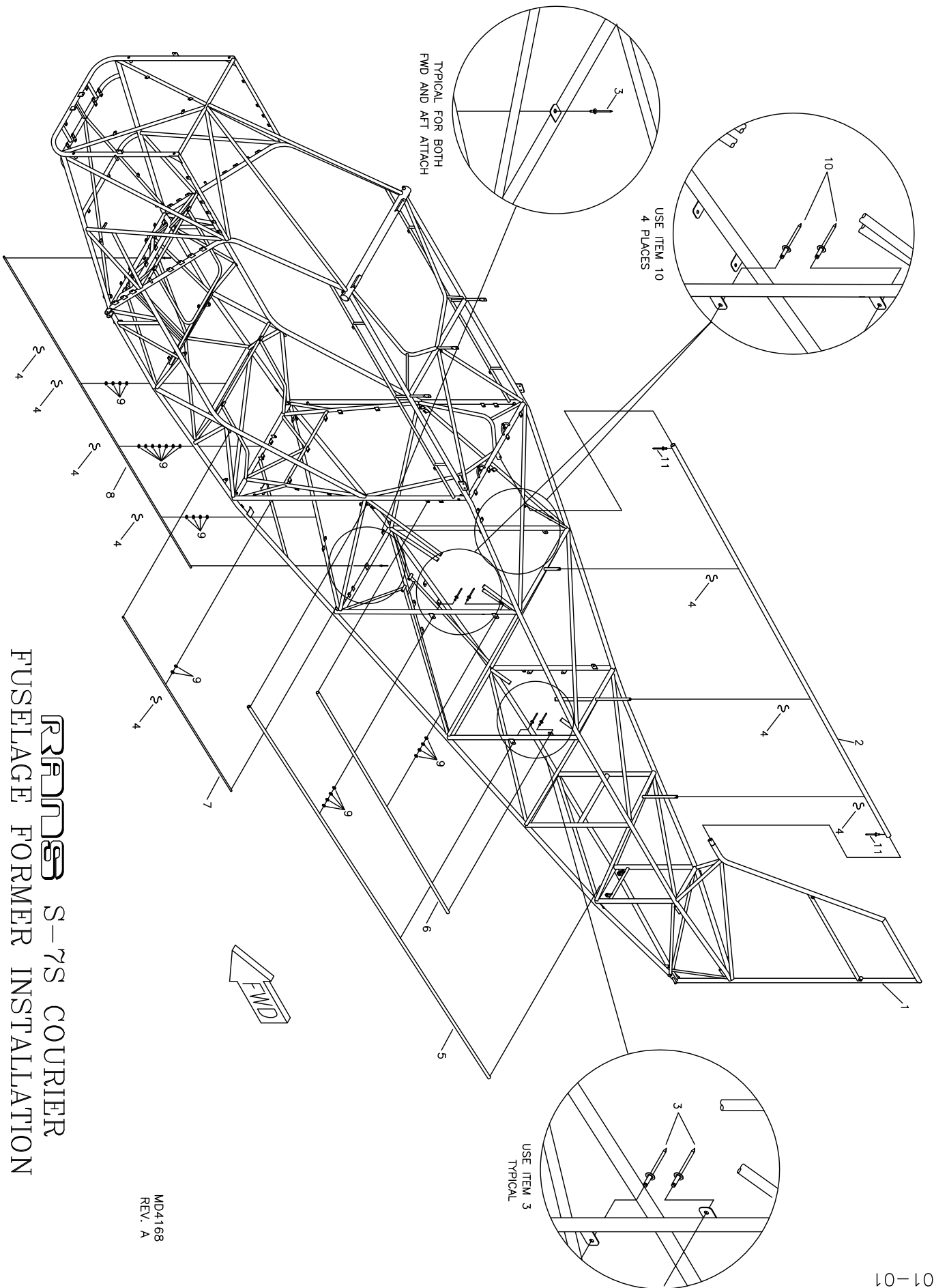
#	DESCRIPTION	PART NUMBER	QUANTITY
1.	Assembly Manual on CD - S-7S	ASSEMBLY MANUAL (7)	1
2.	Flight Log	FLIGHT LOG	1
3.	Maintenance Log	MAINTENANCE LOG	1
4.	RANS Decals - White **	RANS DECAL-W	0
4.	RANS Decals - Black **	RANS DECAL-B	0
5.	S-7S Decal - Black **	KPPL0010	0
5.	S-7S Decal - White **	KPPL0011	0
6.	Raw Stock Kit	KAAC0042	1
6.	1/4" x .028 Aluminum Tubing *	KAAC0042-1	144 in
6.	3/8" x .058 Aluminum Tubing *	KAAC0042-2	6 in
6.	1/2" x .028" x 144" Aluminum Tubing *	KAAC0042-3	4
6.	.020 (6" x 6") Lexan Sht *	KAAC0042-5	1
6.	.020 (0.75" x 8") Aluminum Sht *	KAAC0042-6	1
6.	1/8" Stainless Steel Rod *	KAAC0042-7	3 ft
6.	3/8" x .095 Aluminum Tubing *	KAAC0042-9	6 in
6.	1/2" x .058 Aluminum Tubing *	KAAC0042-10	4 in
6.	3/8" x .035 Aluminum Tubing *	KAAC0042-11	13 in
6.	.020 (2" X 2") Aluminum Sheet *	KAAC0042-12	1
7.	Loctite Blue ***	LOC-TITE	0
8.	Safety Wire ***	MS209956C32	0

*Supplied in Raw Stock Kit

**May be purchased seperately, call RANS Parts Dept. for pricing

***Builder provides.

9/1/2014



RRR S-7S COURIER
 FUSELAGE FORMER INSTALLATION

MD4168
 REV. A

S-7S COURIER - FUSELAGE FORMER INSTALLATION

#	DESCRIPTION	PART NUMBER	QUANTITY
1.	S-7S Fuselage	KAFU0059	1
2.	Vertical Stabilizer Former *	KPFU0693	1
3.	1/8" Aluminum Rivet - Cherry Q	AAPQ-42	12
4.	Safety Wire **	-----	0
5.	Upper Aft Side Former, 1/2" x .028" x 60" ***	KAAC0042-3	0
6.	Center Aft Side Former, 1/2" x .028" x 87" ***	KAAC0042-3	0
7.	Lower Aft Side Former, 1/4" x .028" x 46" ***	KAAC0042-1	0
8.	Bottom Former, 1/2" x .028" x 80" ***	KAAC0042-3	0
9.	3/16" Plastic Washer	PW-3	35
10.	1/8" Aluminum Rivet - Cherry Q	AAPQ-46	4
11.	1/8" Stainless Steel Rivet - Cherry Q	CCPQ-42	2

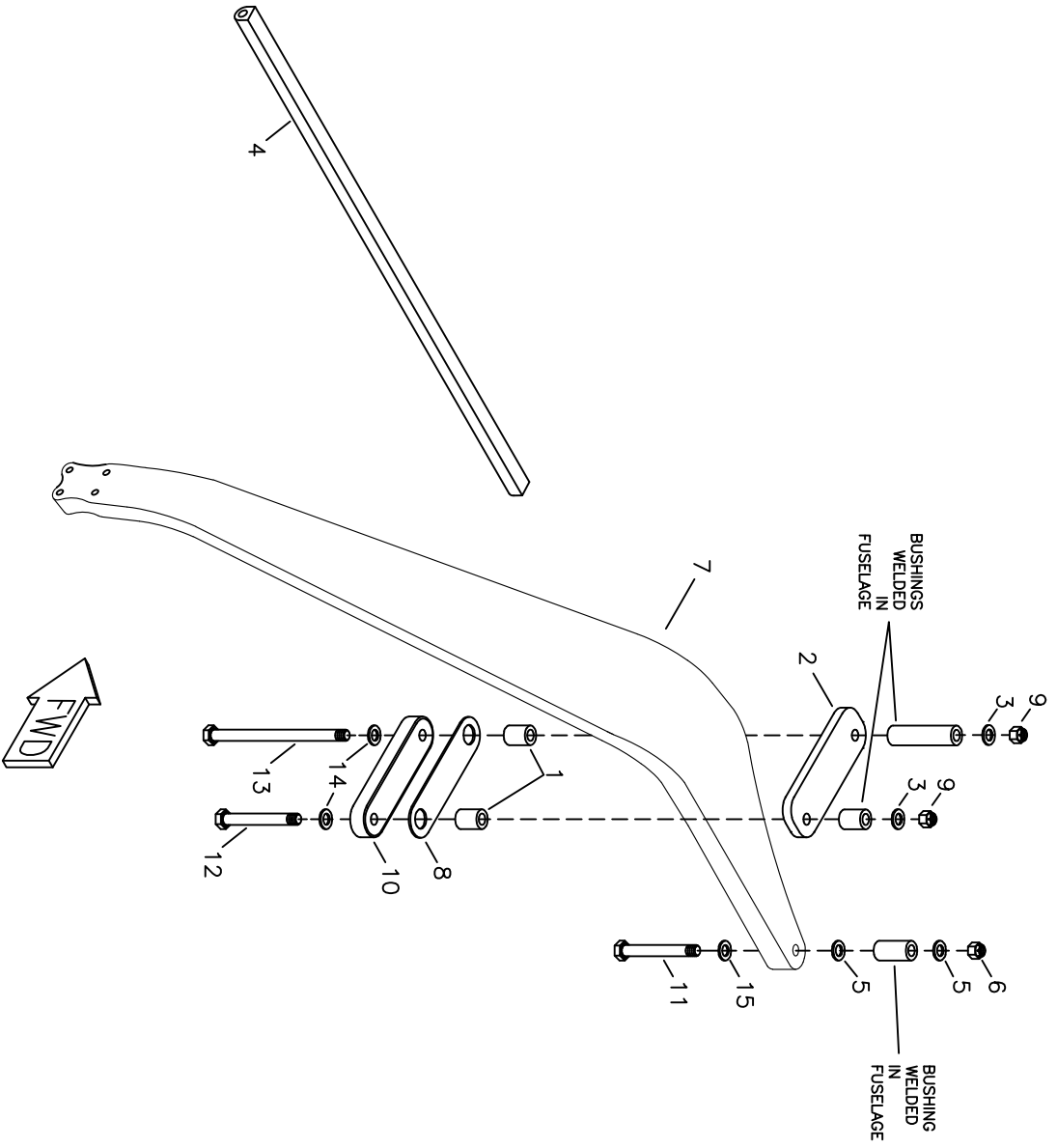
* Builder modifies

** Builder supplied

*** Builder must fabricate from raw stock

9/1/2014

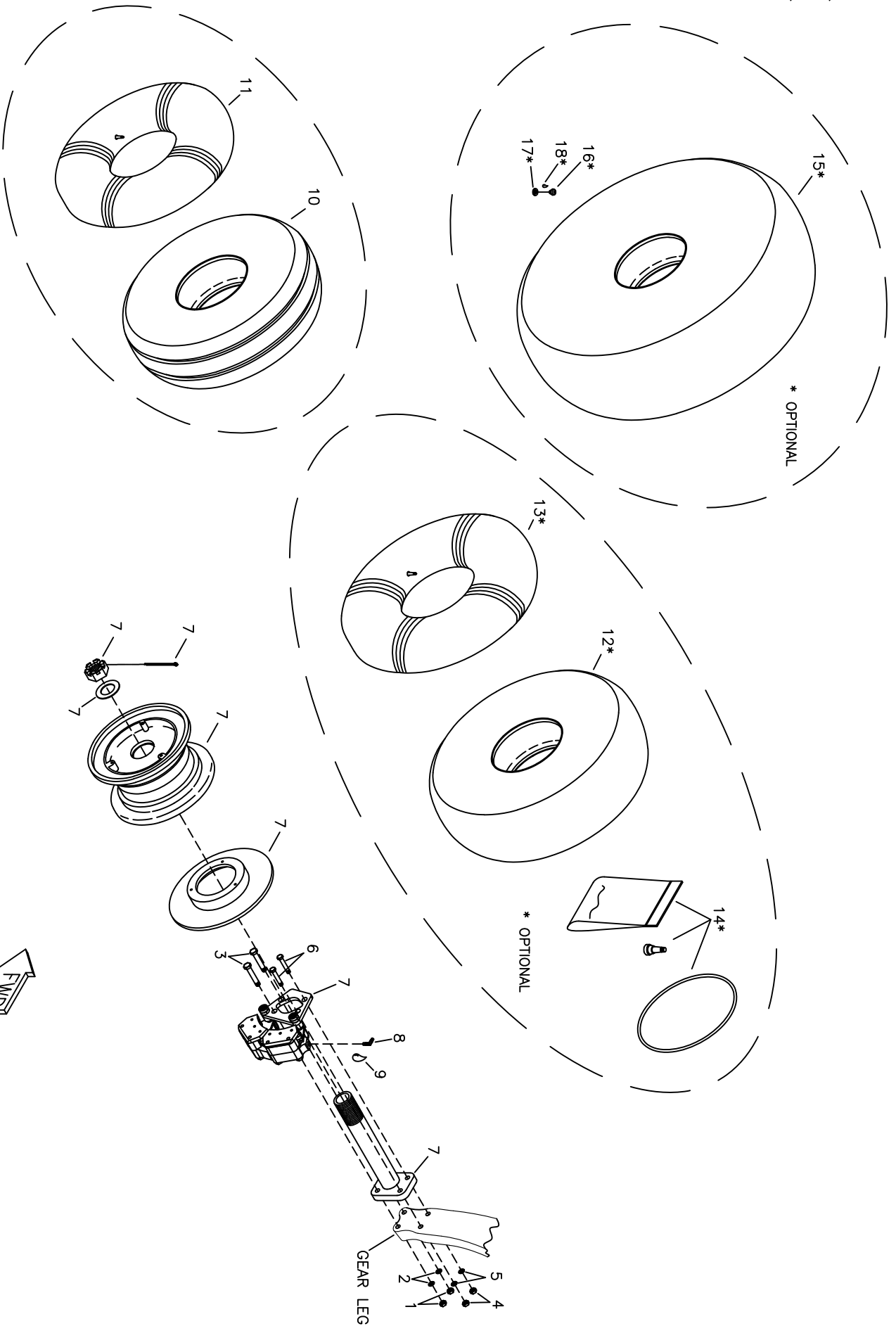
RRF100 S-75 COURIER MAIN GEAR ASSEMBLY AND INSTALLATION



MD5581
REV. A

S-7S COURIER - MAIN GEAR ASSEMBLY & INSTALLATION

#	DESCRIPTION	PART NUMBER	QUANTITY
1.	Landing Gear Spacer Bushing	KPMG0179	4
2.	Top Main Gear Clamp Plate	KPMG0206	2
3.	5/16" Thick Washer	AN960-516	4
4.	D-Cell Rubber Seal - Single	KSAC0013 - Single	3 ft
5.	3/8" Thick Washer	AN960-616	4
6.	3/8" Tensile Nut	AN365-624A	2
7.	Gear Leg - 1" - LH	KPMG0210-L	1
7.	Gear Leg - 1" - RH	KPMG0210-R	1
8.	Main Gear Anti-chafe Strip	KPMG0216	2
9.	5/16" Tensile Nut	AN365-524A	4
10.	Bottom Main Gear Clamp Plate	KPMG0208	2
11.	3/8" Bolt	AN6-32A	2
12.	5/16" Bolt	AN5-32A	2
13.	5/16" Bolt	AN5-51A	2
14.	5/16" Thin Washer	AN960-516L	4
15.	3/8" Thin Washer	AN960-616L	2



RRP S-7S COURIER
**6" WHEELS AND BRAKES
 ASSEMBLY AND INSTALLATION**

MD5581
 REV. B

S-7S COURIER - 6" WHEELS AND BRAKES ASSEMBLY & INSTALLATION

#	DESCRIPTION	PART NUMBER	QUANTITY
1.	3/8" Tensile Nut	AN365-624A	4
2.	3/8" Thin Washer	AN960-616L	4
3.	3/8" Bolt	AN6-26A	4
4.	5/16" Tensile Nut	AN365-524A	4
5.	5/16" Thin Washer	AN960-516L	4
6.	5/16" Bolt	AN5-25A	4
7.	Hyd Brake Assy-6" Dual Piston	KSBS0050	2
8.	45-degree Elbow - Flare 1/4" Tube to 1/8" NPT	AN823-4D	2
9.	Thread Sealant *	-----	0
10.	21" 800-6 Tundra Tire - STANDARD	KSMG0024	2
11.	800-6 Tube - STANDARD	KSMG0023	2
12.	22" 850-6 Smooth Tundra Tire - OPTIONAL **	KSMG0030	2
13.	Optional - 850-6 Tundra Tube - OPTIONAL **	KSMG0031	2
14.	Optional - MATCO Tubeless Kit ** (-2 KSMG0031) **	KSBS0043	2
15.	Tire - 26" x 12" x 6" Alaskan - OPTIONAL **	KSMG0028	2
16.	Grommet Plug - OPTIONAL **	9K13-DRBUMP	2
17.	Rubber Grommet - OPTIONAL **	MS35489-6	2
18.	Adhesive - Superglue *	-----	0

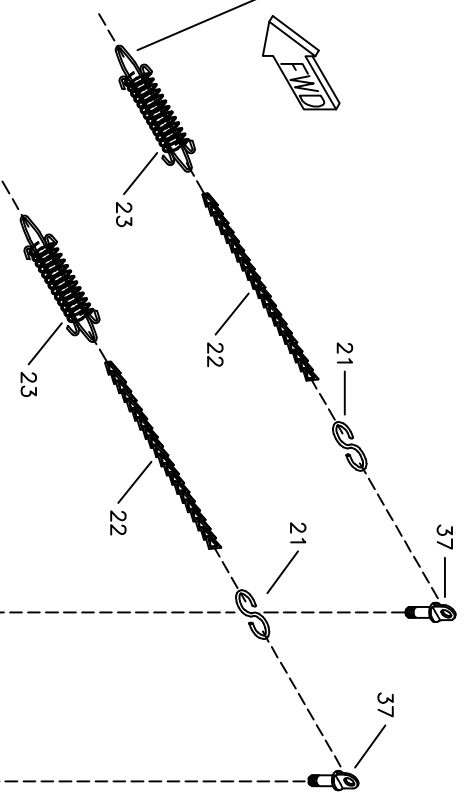
*Builder Supplied

**May be purchased separately, call RANS Parts Dept. for pricing

2/24/2016

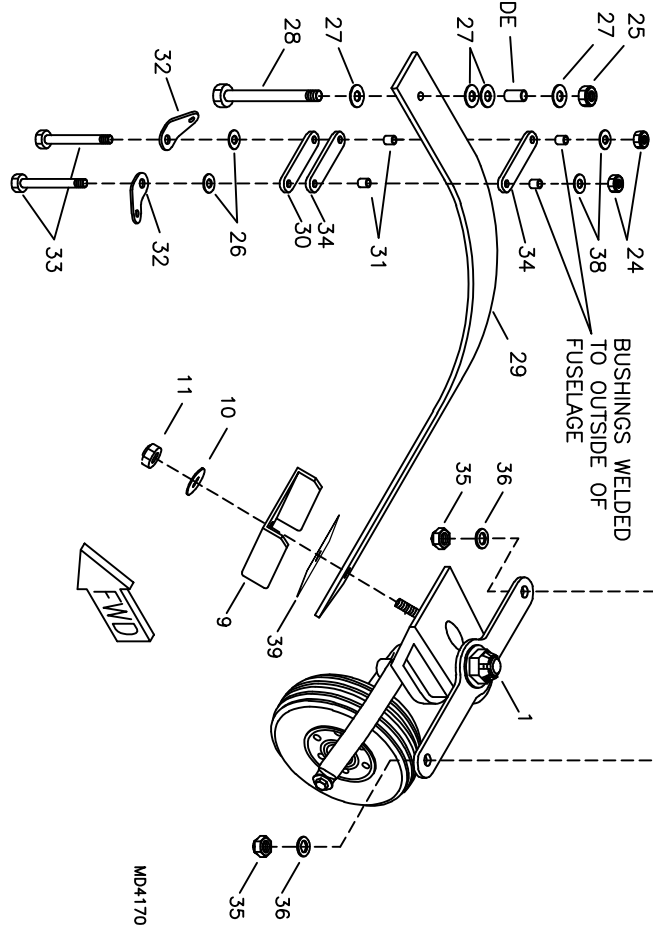
REV. B

ATTACH SPRINGS TO BOTTOM OF RUDDER CONTROL HORN (SEE RUDDER).

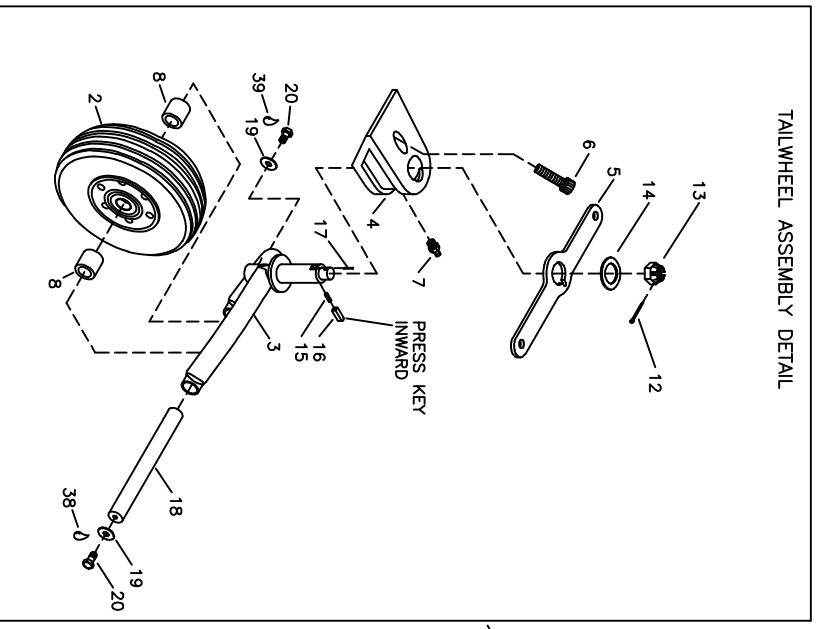


BUSHING WELDED INSIDE FUSELAGE

BUSHINGS WELDED TO OUTSIDE OF FUSELAGE



TAILWHEEL ASSEMBLY DETAIL



RRRNDSS S-7S COURIER TAILWHEEL ASSEMBLY AND INSTALLATION

MD4170

#	DESCRIPTION	PART NUMBER	QUANTITY
1.	8" Pneumatic Tailwheel Assembly	KATG0006	1
2.	Tailwheel *	KSTG0010	0
3.	Tailwheel - Fork *	KPTG0039	0
4.	Tailwheel - Swivel Block *	KPTG0003	0
5.	Tailwheel - Steer Horn *	KPTG0004	0
6.	Socket Head Cap Screw *	KSHW0058	0
7.	Grease Fitting *	11-151	0
8.	Spacer Bushing - 3/4" x .058" Alum Tube *	----	0
9.	Tailwheel - Spring Channel *	KPTG0007	0
10.	3/8" Thick Washer *	AN960-616	0
11.	3/8" Tensile Loc Nut *	AN363-624A	0
12.	Large Cotter Pin *	MS24665-285	0
13.	1/2" Castle Nut *	AN320-8	0
14.	1/2" Thick Washer *	MS27183-17	0
15.	Tailwheel - Tension Spring *	KSTG0003	0
16.	Tailwheel - Tension Key *	KPTG0006	0
17.	Tailwheel - Spring Pin *	T19-094-0625	0
18.	Axle *	KPTG0040	0
19.	3/16" Large Washer *	AN970-3	0
20.	3/16" Bolt *	AN3-3A	0
21.	S-Hook - Steer Horn	TW-SHOOK	2
22.	Chain - Steer Horn **	TW-C	1
23.	Spring - Steer Horn	TW-S-SPR	2
24.	3/16" Tensile Nut	AN365-1032A	2
25.	5/16" Tensile Nut	AN365-524A	1
26.	3/16" Thick Washer	AN960-10	2
27.	5/16" Thick Washer	AN960-516	4
28.	5/16" Bolt	AN5-20A	1
29.	Tail Spring	KPTG0042	1
30.	Pillow Block Strap	PBS	1
31.	Aluminum Tailwheel Bushing, 1/4" x .028" x .31" ***	KAAC0046-5	0
32.	Attach Tang ****	KPHS0041	0
33.	3/16" Bolt	AN3-21A	2
34.	Gear Strap	KPTG0036	2
35.	1/4" Shear Nut	AN364-428A	2
36.	1/4" Thick Washer	AN960-416	2
37.	1/4" Eyebolt	AN43B-5A	2
38.	3/16" Thin Washer	AN960-10L	2
39.	Loctite Blue *****	----	0

* Supplied in tail wheel assembly.

**Builder Modifies

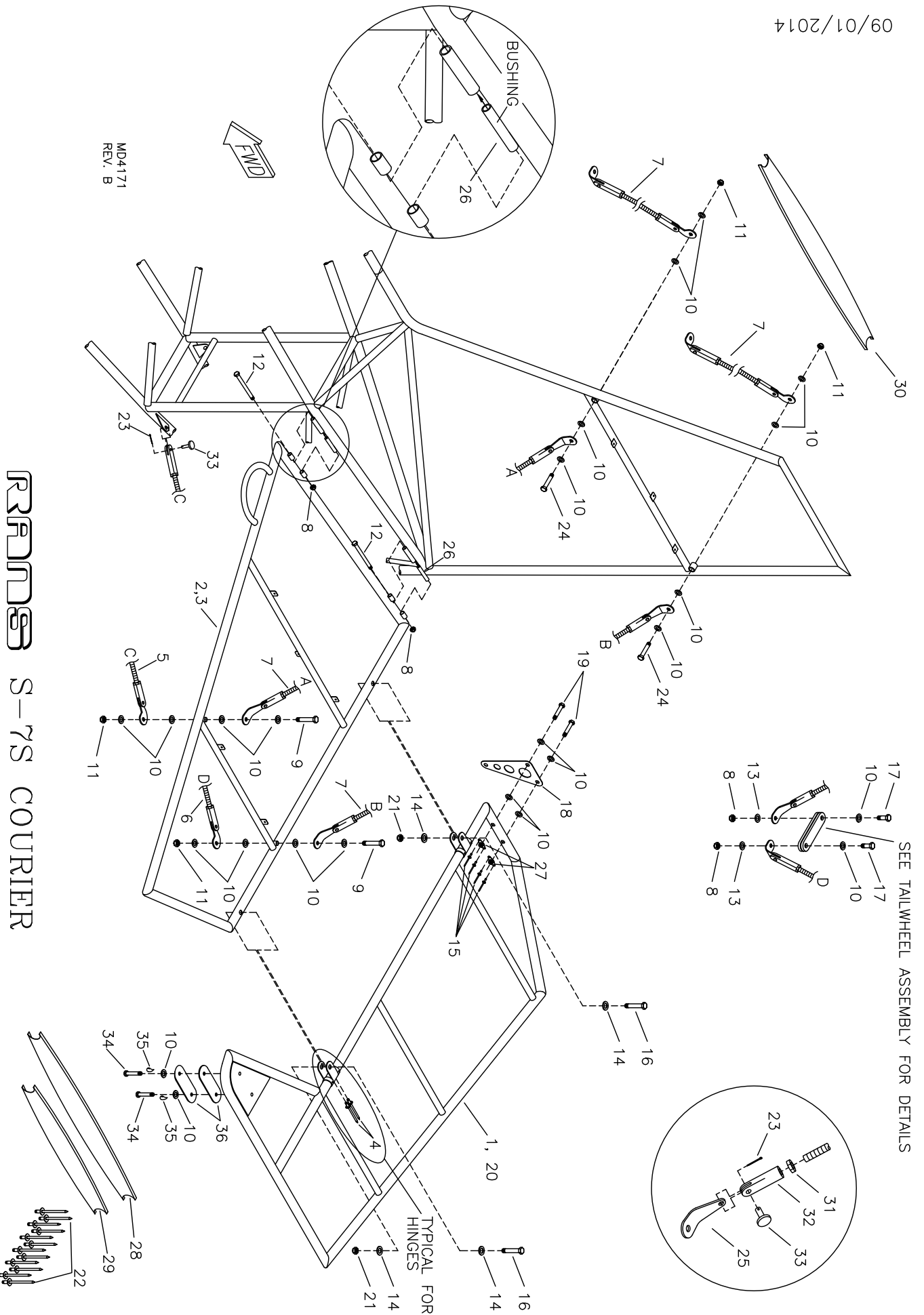
*** Builder must fabricate from raw stock

****Modified Attach Tang - Refer to Horizontal Stabilizer & Elevator Installation

***** Builder Supplied

RRRMD S-75 COURIER HORIZONTAL STABILIZER & ELEVATOR ASSEMBLY AND INSTALLATION

MD4171
REV. B



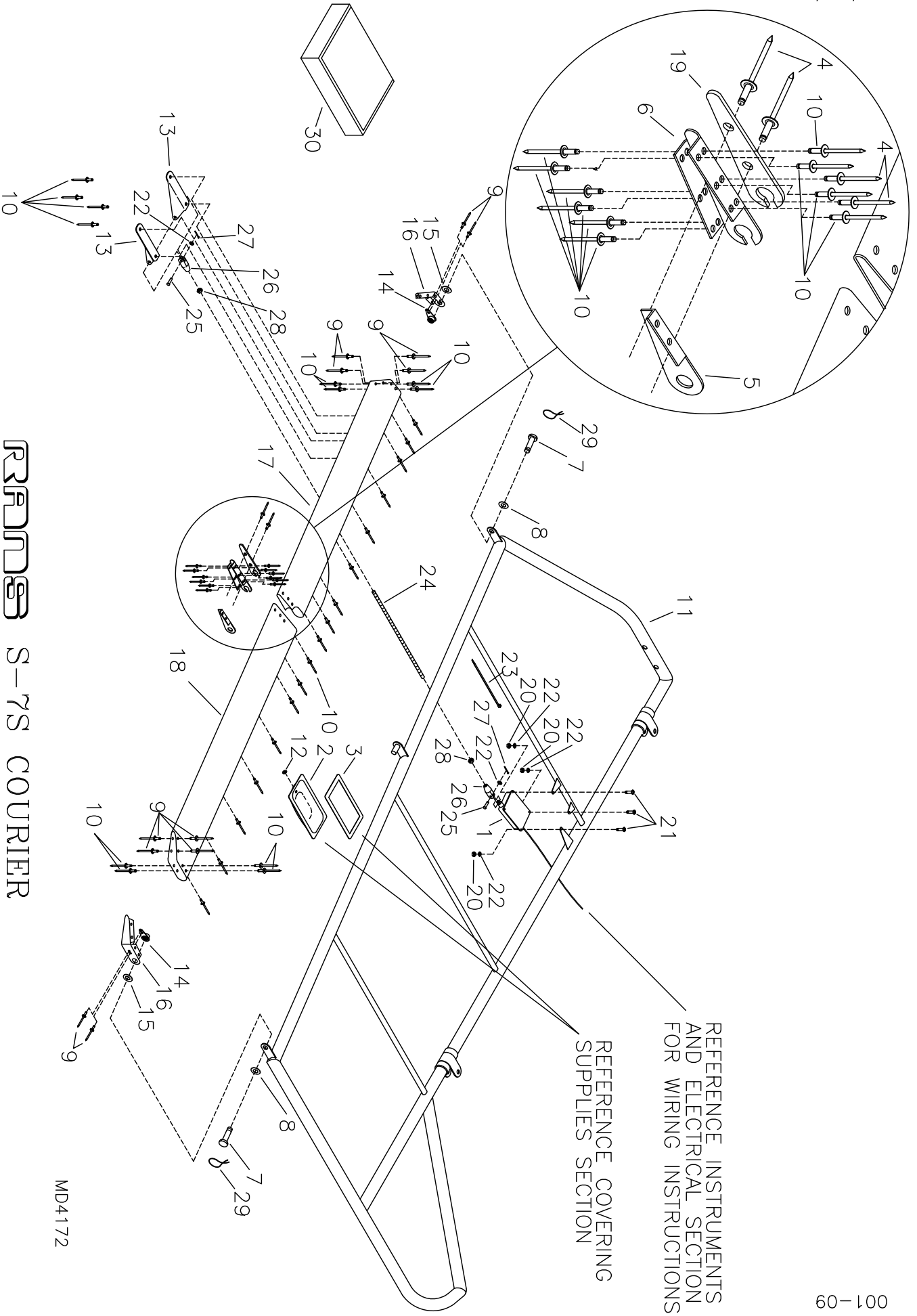
S-7S COURIER - HORIZONTAL STABILIZER & ELEVATOR ASSEMBLY AND INSTALLATION

#	DESCRIPTION	PART NUMBER	QUANTITY
1.	Elevator, LH	KAEL0010	1
2.	Horizontal Stabilizer Assembly, LH	KAHS0020-LH	1
3.	Horizontal Stabilizer Assembly, RH	KAHS0020-RH	1
4.	1/8" Stainless Steel Rivet - Cherry Q	CCPQ-42	8
5.	Lower Forward Rod	KPHW0003	2
6.	Lower AFT Rod	KPHW0002	2
7.	Top Rod	KPHW0004	4
8.	3/16" Shear Nut	AN364-1032A	6
9.	3/16" Bolt	AN3-15A	4
10.	3/16" Thin Washer	AN960-10L	40
11.	3/16" Tensile Nut	AN365-1032A	6
12.	3/16" Bolt	AN3-33A	4
13.	3/16" Thick Washer	AN960-10	2
14.	1/4" Thin Washer	AN960-416L	8
15.	3/32" Aluminum Rivet	40APR1/8	8
16.	1/4" Bolt	AN4-14A	4
17.	3/16" Bolt	AN3-5A	2
18.	Elevator Horn	KPEL0029	2
19.	3/16" Bolt	AN3-11A	4
20.	Elevator, RH	KAEL0021	1
21.	1/4" Shear Nut	AN364-428A	4
22.	1/8" Aluminum Rivet - Avex	1691-0410	13
23.	Small Cotter Pin	MS24665-134	16
24.	3/16" Bolt	AN3-14A	2
25.	Attach Tang *	KPHS0041	14
26.	Aluminum Bushing, 3/8" x .095 x 1.50	KPAC0060	4
27.	3/16" Nut Plate	K-1000-3	4
28.	Inner Compression Rib-Horizontal Stabilizer	KPHS0038	2
29.	Outer Compression Rib-Horizontal Stabilizer	KPHS0037	2
30.	Compression Rib-Vertical Stabilizer	KPVS0051	1
31.	Jam Nut	AN315-640-L	8
31.	Jam Nut	AN315-640-R	8
32.	Tie Rod End	AN665-10L	8
32.	Tie Rod End	AN665-10R	8
33.	Clevis Pin	AN393-9	16
34.	3/16" Truss Head Screw	AN526-C1032-R12	4
35.	Loctite Blue **	----	0
36.	1/4" Lead Sheet **	----	0

*Builder must modify

**Builder Supplied

RRRMD08 S-75S COURIER TRIM TAB ASSEMBLY AND INSTALLATION



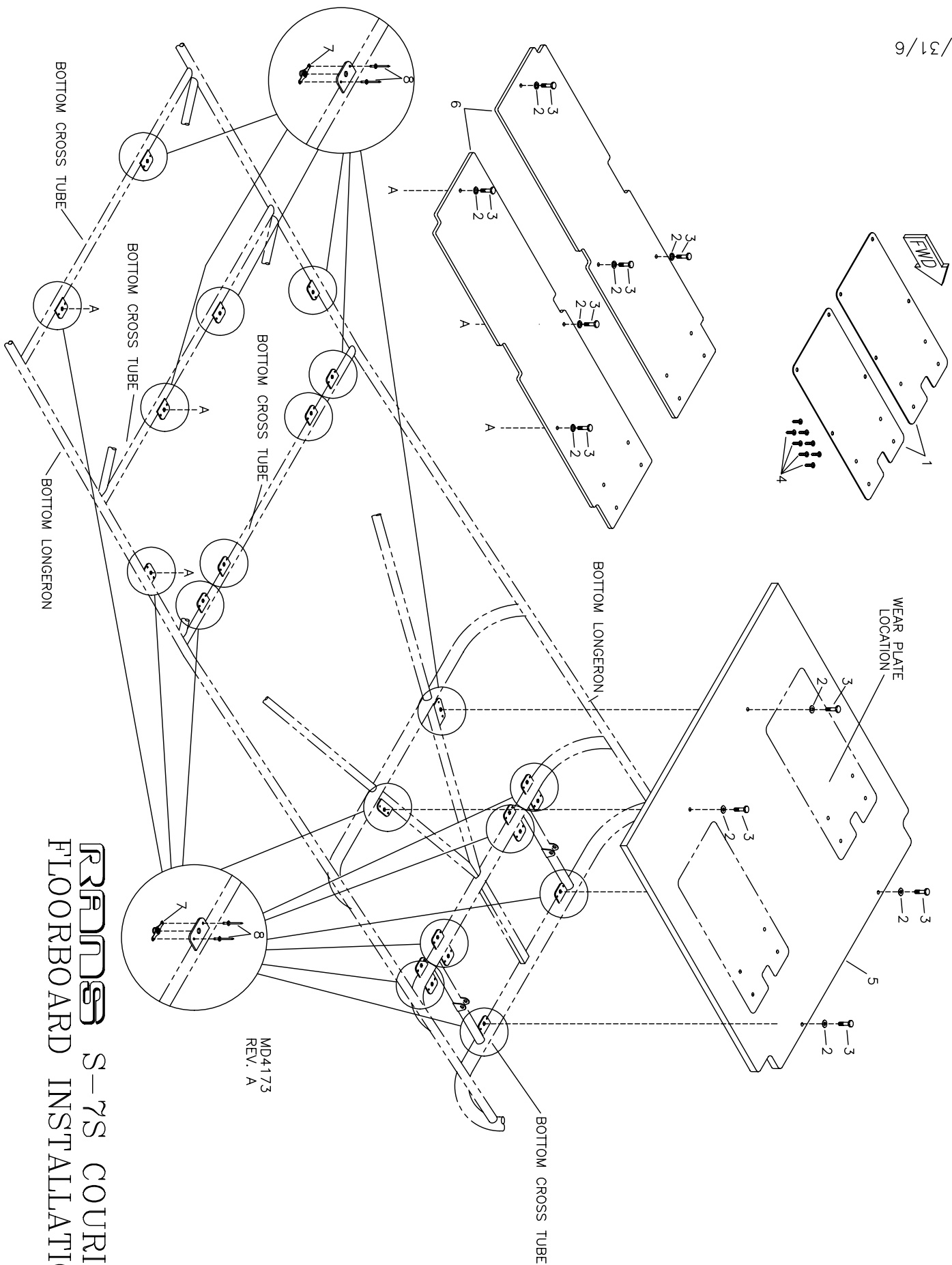
MD4172

#	DESCRIPTION	PART NUMBER	QUANTITY
1.	Trim Servo***	KSTR0001-1	0
2.	Trim Exit Cover *	KPCV0026	0
3.	Trim Exit Ring *	KPCV0027	0
4.	1/8" Aluminum Rivet - Cherry Q	AAPQ-42	4
5.	Hinge Lock	KPTR0018	1
6.	Trim Tab Center Rib	KPTR0011	1
7.	3/16" Bolt	AN3H-5A	2
8.	3/16" Thin Washer	AN960-10L	2
9.	3/32" Aluminum Rivet	40APR1/8	12
10.	1/8" Aluminum Rivet - Cherry Q	AAPQ-41	40
11.	Elevator - RH **	KAEL0021	0
12.	Grommet	KSAC0002	1
13.	Trim Tab Horn - LH	KPTR0024-L	1
13.	Trim Tab Horn - RH	KPTR0024-R	1
14.	3/16" Single Ear Nut Plate	MS21051-L3	2
15.	3/16" Thick Washer	AN960-10	2
16.	Trim Tab End Rib	KPTR0012	2
17.	Trim Tab, Inboard	KPTR0013	1
18.	Trim Tab, Outboard	KPTR0014	1
19.	Trim Tab Center Rib Doubler	KPTR0015	1
20.	Nut	MS21083N04	3
21.	Machine Screw	MS35206-218	3
22.	1/8" Small Brass Washer	AN960-B4	5
23.	Plastic Tie-4"	MS3367-4-9	1
24.	Push Rod***	KSTR0001-3	0
25.	Clevis Pin***	KSTR0001-5	0
26.	Clevis***	KSTR0001-4	0
27.	Cotter Pin***	KSTR0001-6	0
28.	Jam Nut***	KSTR0001-8	0
29.	Safety Wire ****	----	0
30.	Trim Servo Kit	KSTR0001	1

*Referenced from Covering Supplies Section

**Referenced from Tail Group Assembly & Installation

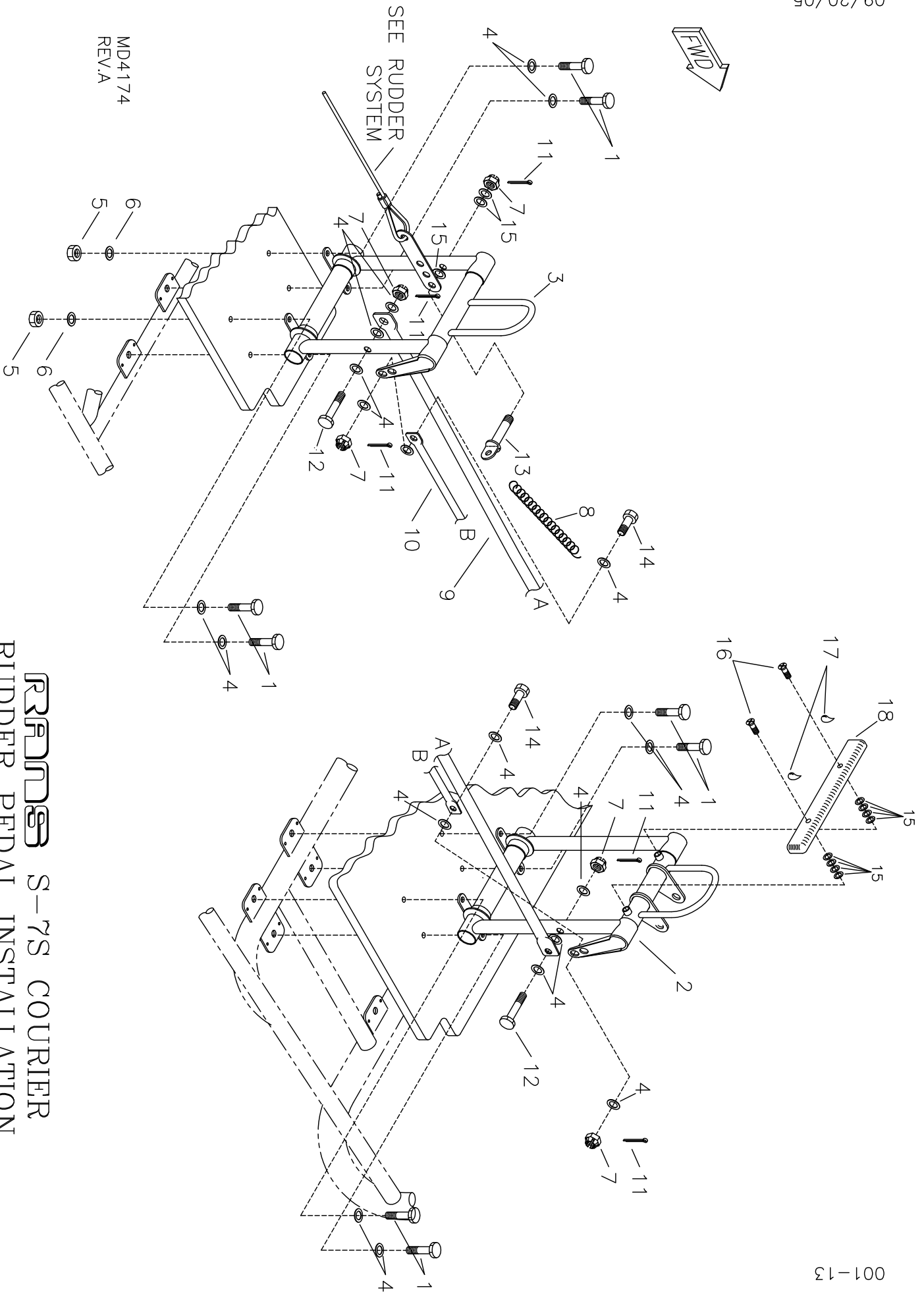
*** Included in Trim Servo Kit ***Builder Supplied



**RR-7S COURIER
FLOORBOARD INSTALLATION**

MD4173
REV. A

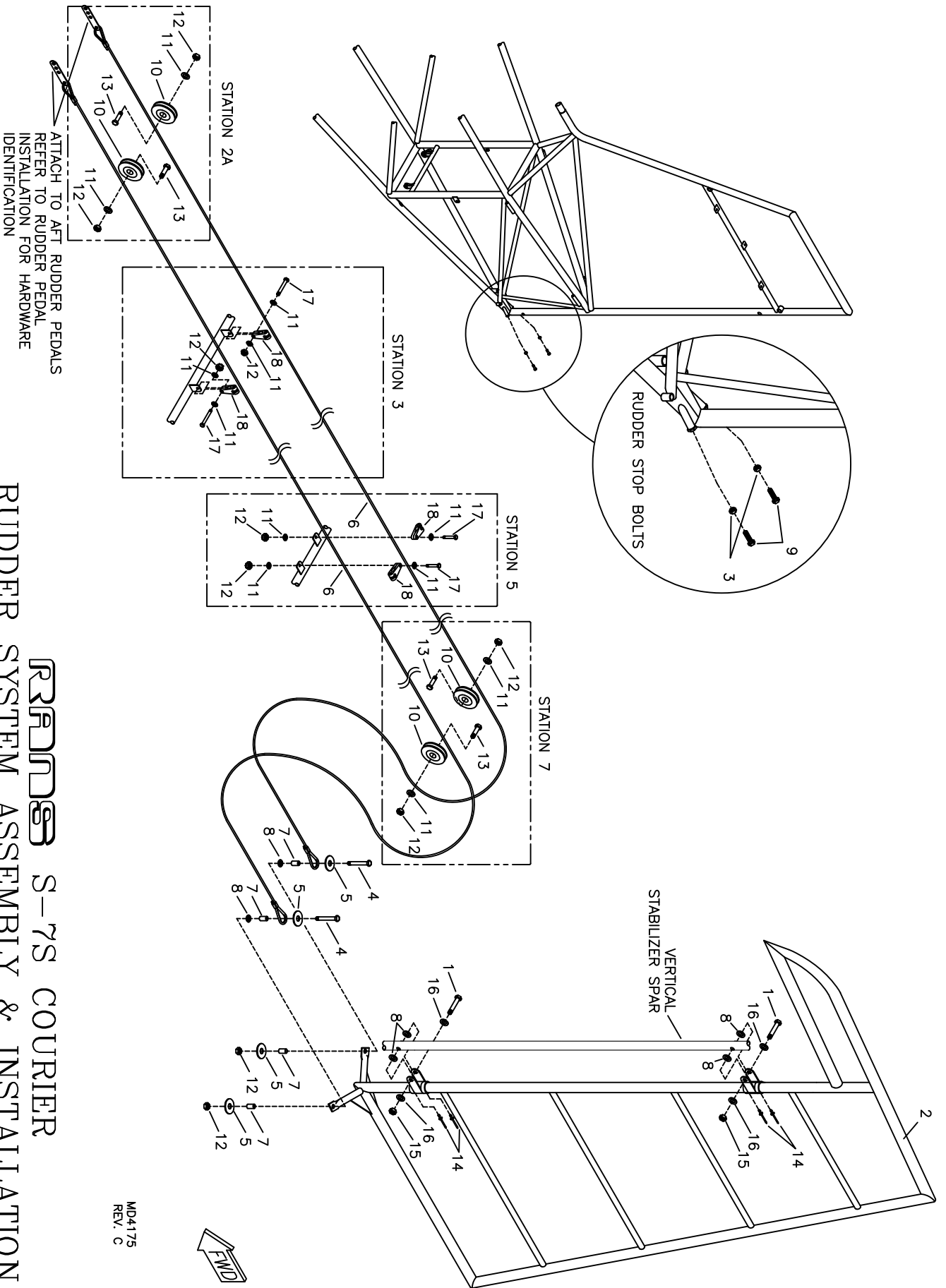
#	DESCRIPTION	PART NUMBER	QUANTITY
1.	Wear Plates	KPFU0556	2
2.	3/16" Large Washer	AN970-3	10
3.	3/16" Bolt	AN3-6A	10
4.	#4 Small Pan Head Screw	4X1/4 PHS	8
5.	Floorboard-FWD	KPFU0553	1
6.	Floorboard AFT - RH	KPFU0188-R	1
6.	Floorboard AFT - LH	KPFU0188-L	1
7.	3/16" Nut Plate	K-1000-3	22
8.	3/32" Aluminum Pop Rivet	40APR1/8	44



**ROTOR S-76S COURIER
RUDDER PEDAL INSTALLATION**

#	DESCRIPTION	PART NUMBER	QUANTITY
1.	3/16" Bolt	AN3-7A	16
2.	FWD Rudder Pedal, LH	KPCS0225-L	1
2.	FWD Rudder Pedal, RH	KPCS0225-R	1
3.	AFT Rudder Pedal, LH	KPCS0226-L	1
3.	AFT Rudder Pedal, RH	KPCS0226-R	1
4.	3/16" Thin Washer	AN960-10L	38
5.	3/16" Shear Nut	AN364-1032A	4
6.	3/16" Large Washer	AN970-3	4
7.	3/16" Castle Nut	AN310-3	10
8.	Rudder Return Spring	KPCS0178	2
9.	Rudder Pedal Push Pull Tube	KPCS0206	2
10.	Brake Push Pull Tube	KPBS0005	2
11.	Small Cotter Pin	MS24665-134	10
12.	3/16" Bolt	AN3-11	4
13.	3/16" Eye Bolt	AN42B-11	2
14.	3/16" Bolt	AN3-4	4
15.	3/16" Thick Washer	AN960-10	20
16.	3/16" Countersunk Machine Bolt	AN509-1032R14	4
17.	Loctite Blue *	-----	0
18.	Footbar-Rudder Pedals	KPRD0060	2

*Builder Supplied



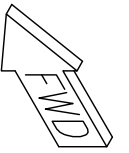
RRRMD88 S-7S COURIER
RUDDER SYSTEM ASSEMBLY & INSTALLATION

MD4175
 REV. C

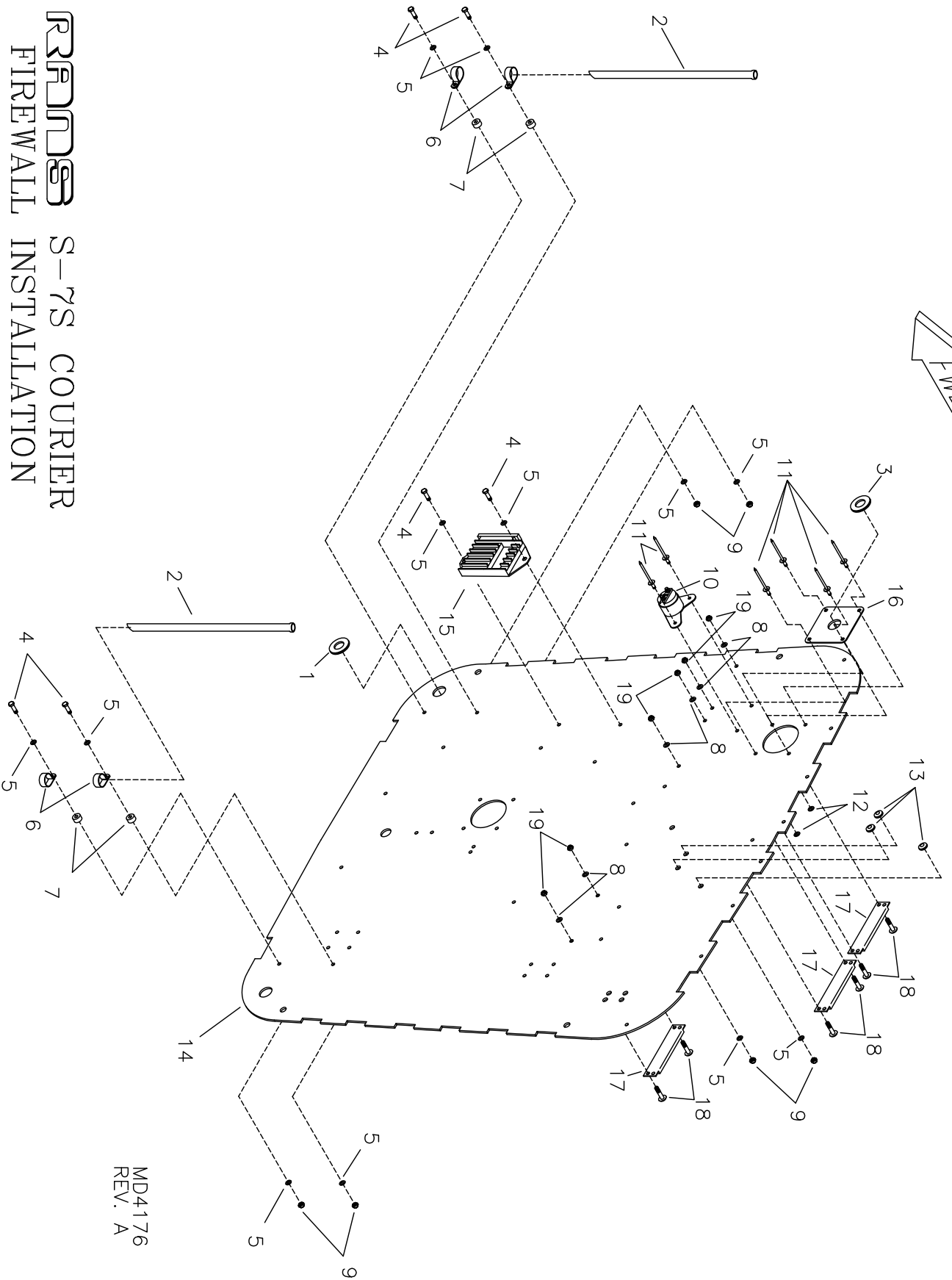
S-7S COURIER - RUDDER SYSTEM ASSEMBLY & INSTALLATION

#	DESCRIPTION	PART NUMBER	QUANTITY
1.	1/4" Bolt	AN4-14A	2
2.	Rudder Frame Assembly - RANS	KARD0020	1
3.	1/4" Plain Nut	AN345-416	2
4.	3/16" Bolt	AN3-11A	2
5.	3/16" Large Washer	AN970-3	4
6.	Rudder Cable Assembly	KACS0026	2
7.	Aluminum Tailwheel Bushing, 1/4" x .028 x .31"	KAAC0042-1	0
8.	1/4" Thick Washer	AN960-416	6
9.	Bolt (1/4-28 x 3/4)	KSHW0016	2
10.	Small Pulley	AN210-1A	4
11.	3/16" Thin Washer	AN960-10L	12
12.	3/16" Shear Nut	AN364-1032A	10
13.	3/16" Bolt	AN3-6A	4
14.	1/8" Stainless Steel Rivet - Cherry Q	CCPQ-42	4
15.	1/4" Shear Nut	AN364-428A	2
16.	1/4" Thin Washer	AN960-416L	4
17.	3/16" Bolt	AN3-7A	4
18.	Cable Guide	HA-144	4

*Builder must fabricate from raw stock.



RRP111 S-7S COURIER FIREWALL INSTALLATION



MD4176
REV. A

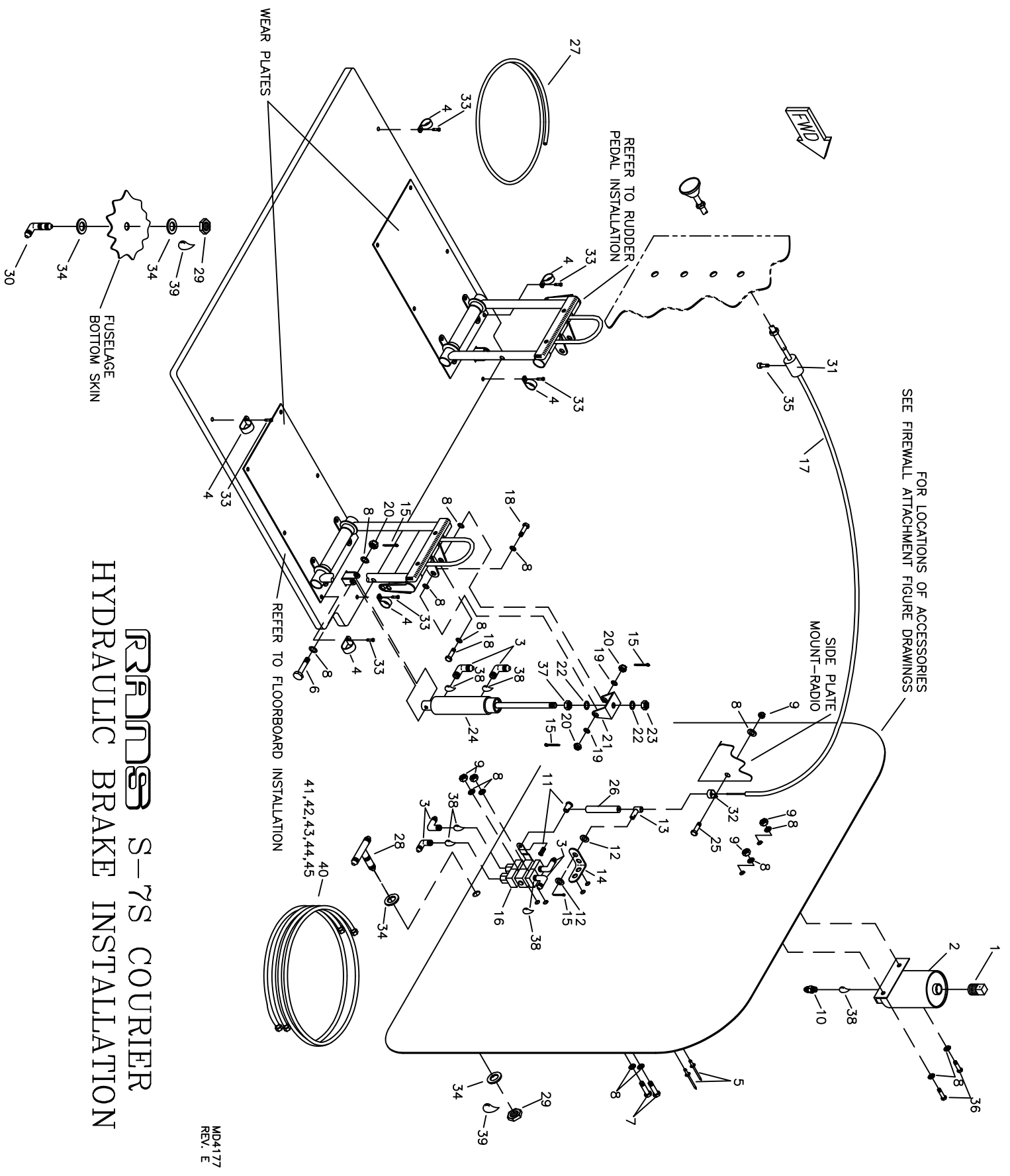
S-7S COURIER - FIREWALL INSTALLATION

#	DESCRIPTION	PART NUMBER	QUANTITY
1.	Rubber Grommet	MS35489-11	1
2.	1/4" x .028 Aluminum Tube*	KAAC0042-1	0
3.	Rubber Grommet	MS35489-17	1
4.	3/16" Bolt	AN3-5A	6
5.	3/16" Thin Washer	AN960-10L	12
6.	Plain Clamp	AN742-D4	4
7.	Spacer	KSHW0042	4
8.	#8 Small Brass Washer	AN960-B8	6
9.	3/16" Shear Nut	AN364-1032A	6
10.	Relay**	-----	0
11.	3/16" Aluminum Rivet - Cherry Q	AAPQ-62	6
12.	3/16" Thick Washer	AN960-10	2
13.	Grommet	KSAC0002	3
14.	Firewall	KPFW0016	1
15.	Regulator/ Rectifier**	-----	0
16.	.020 (2" x 2") Aluminum Sheet *	KAAC0042-12	0
17.	Bus Bar	AMW 636	3
18.	Screw	MS27039-0809	6
19.	Nut	AN365-832A	6

*Builder fabricates from raw stock

**Supplied with engine.

9/1/2014



FOR LOCATIONS OF ACCESSORIES
SEE FIREWALL ATTACHMENT FIGURE DRAWINGS

RRMD S-75 COURIER
HYDRAULIC BRAKE INSTALLATION

MD4177
REV. E

S-7S COURIER - HYDRAULIC BRAKE INSTALLATION

#	DESCRIPTION	PART NUMBER	QUANTITY
1.	Vented 1/8" Cap Plug ***	----	0
2.	Hydraulic Brake Reservoir	KSBS0034	1
3.	90-Degree Elbow - Flare 1/4" Tube to 1/8" NPT	AN822-4D	8
4.	1/4" Plain Clamp	AN742-D4	6
5.	3/16" Stainless Steel Rivet - Cherry Q	CCPQ-62	2
6.	3/16" Bolt - drilled shank	AN3-10	2
7.	3/16" Bolt	AN3-10A	2
8.	3/16" Thin Washer	AN960-10L	19
9.	3/16" Shear Nut	AN364-1032A	9
10.	Straight Fitting - Flare 1/4" to 1/8" NPT	AN816-4D	1
11.	Cable Swivel Stop	2361	1
12.	1/4" Thick Washer	AN960-416	2
13.	Cable Housing Swivel Stop	KPBS0009	1
14.	Cable Housing Swivel Stop Bracket	KPBS0010	1
15.	Small Cotter Pin	MS24665-134	7
16.	Parking Brake	KSBS0007	1
17.	Control Cable	4-336	1
18.	3/16" Bolt - drilled shank	AN3-5	4
19.	3/16" Thick Washer	AN960-10	4
20.	3/16" Castle Nut	AN310-3	6
21.	U-Bracket	KPAC0017	2
22.	5/16" Thin Washer	AN960-516L	4
23.	5/16" Shear Nut	AN364-524A	2
24.	Master Cylinder - Brake	KSBS0031	2
25.	3/16" Bolt	AN3-6A	1
26.	Blue Fuel Line - 1/4"	FS-FL	2 in
27.	Black Fuel Line - 1/4"	KSFS0002	1 ft
28.	Bulkhead Tee - Flare 1/4" Tube	AN834-4D	1
29.	Nut - Flared Tube Bulkhead	AN924-4D	3
30.	Bulkhead 90-degree Elbow - Flare 1/4" Tube	AN833-4D	2
31.	Cable Friction Block	T-STOP	1
32.	1/4" Cushioned Clamp	MS21919-WDG4	1
33.	#6 Pan Head Screw	6RX1/2 PHS	6
34.	7/16" Thick Washer	AN960-716	6
35.	Socket Head Cap Screw	T-SC	1
36.	3/16" Bolt	AN3-3A	2
37.	Jam Nut *	----	0
38.	Thread Sealant **	----	0
39.	Loctite - Blue **	----	0
40.	Braided Brake Line Kit - S-7S (2015)	KSBS0042	1
41.	Braided Line - 20" - Reservoir to Bulkhead Tee	KSBS0042-1	0
42.	Braided Line - 9" - Bulkhead Tee to Cylinders	KSBS0042-2	0
43.	Braided Line - 9" - Cylinders to Park Valve	KSBS0042-2	0
44.	Braided Line - 39.5" - Bulkhead 90 to Wheel Brake	KSBS0042-3	0
45.	Braided Line - 60.5" - Park Brake To Bulhead 90	KSBS0042-4	0

*Supplied with Brake Cylinder.

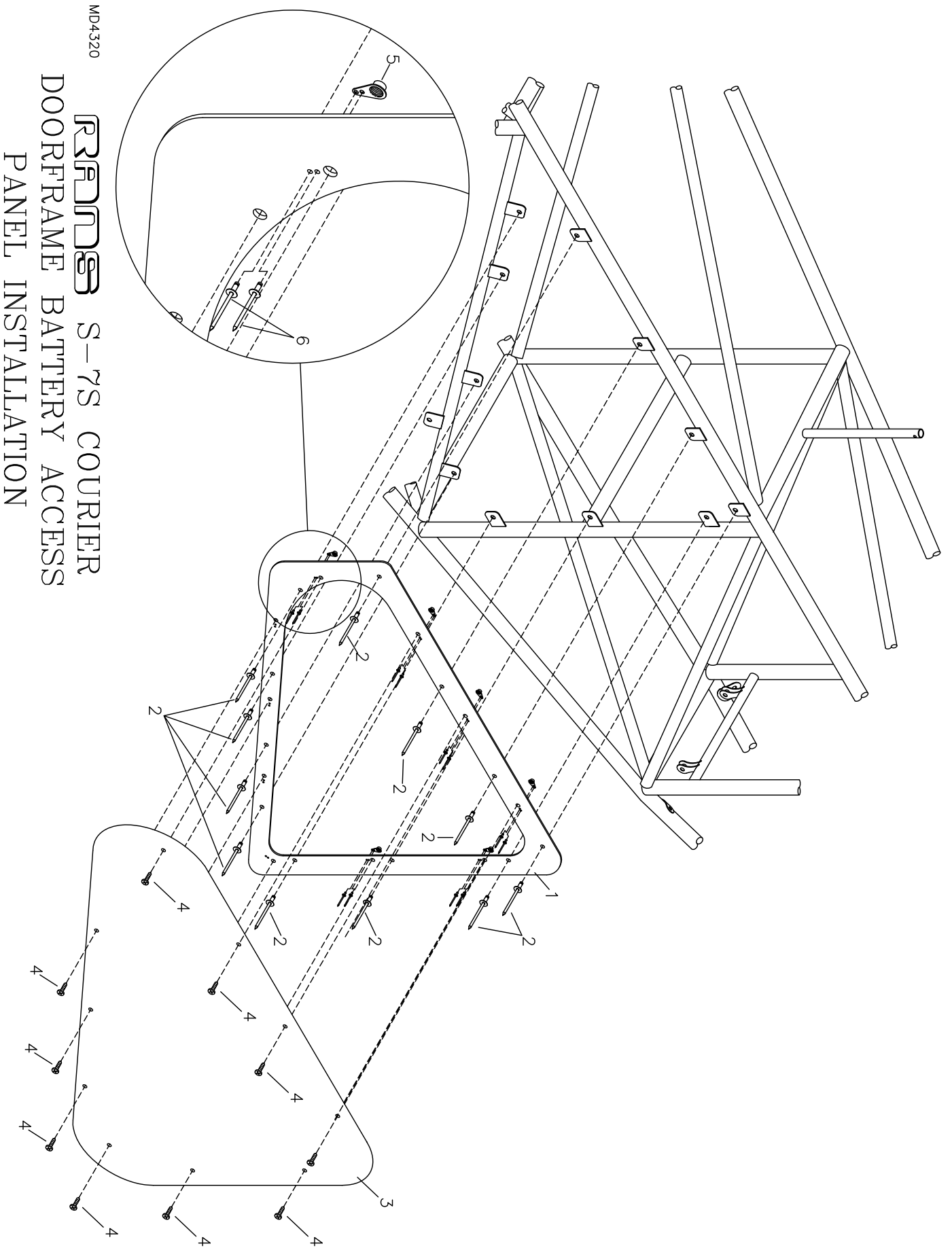
**Builder supplied

***Supplied with Brake Reservoir.

**** Supplied with KSBS0042

6/20/2013

REV. E

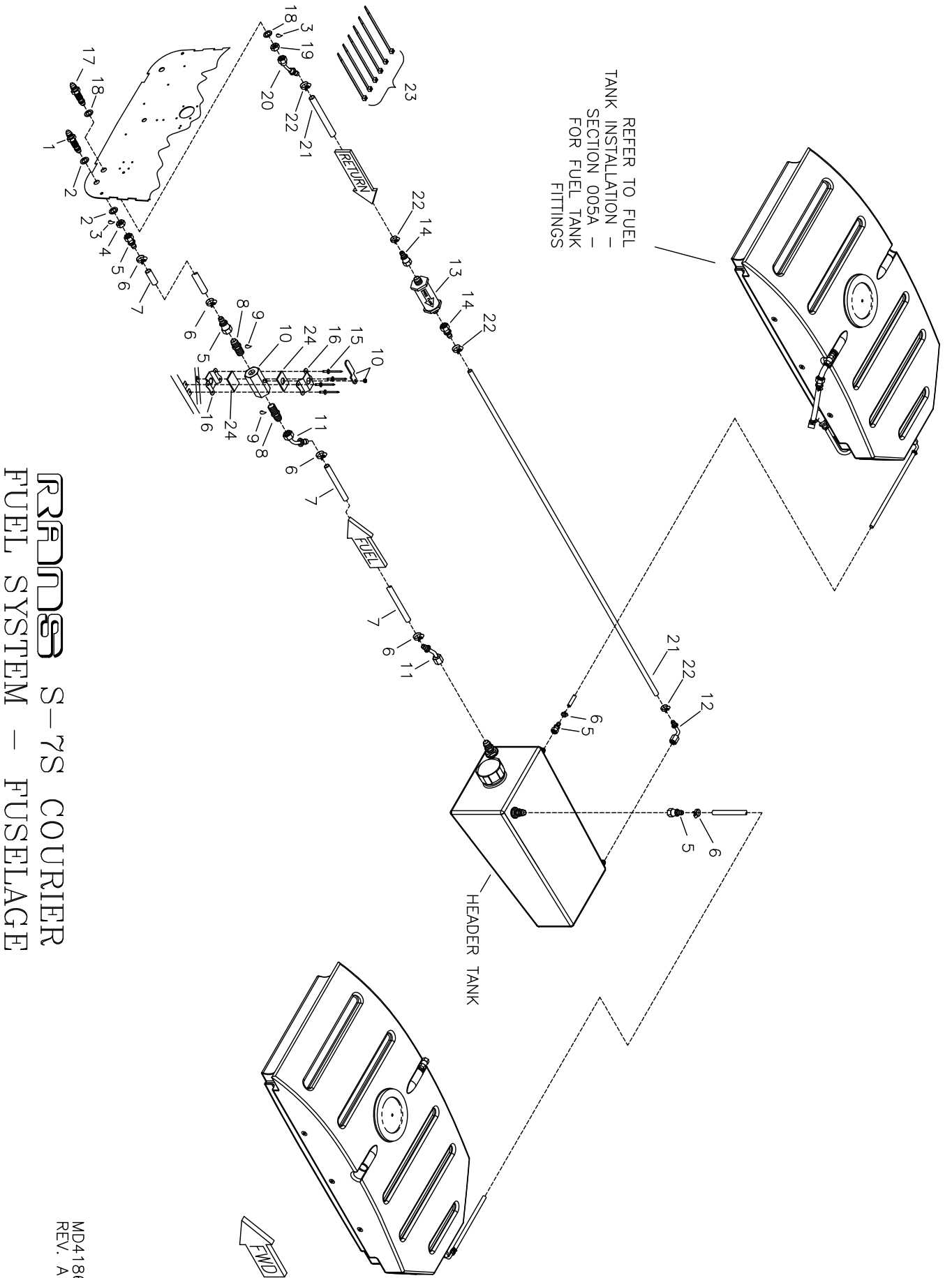


MD4320

RRRrrrr S-7S COURIER
 DOORFRAME BATTERY ACCESS
 PANEL INSTALLATION

S-7S COURIER - DOORFRAME BATTERY ACCESS PANEL INSTALLATION

#	DESCRIPTION	PART NUMBER	QUANTITY
1.	Door Frame - Battery Box Access Panel	KPFU0291	1
2.	1/8" Aluminum Rivet - Cherry Q	AAPQ-42	11
3.	Door - Battery Box Access Panel	KPFU0292	1
4.	8-32 Machine Screw	AN526-832R6	10
5.	8-32 Single Ear Nut Plate	MS21051-08	10
6.	3/32" Aluminum Rivet	40APR1/8	20

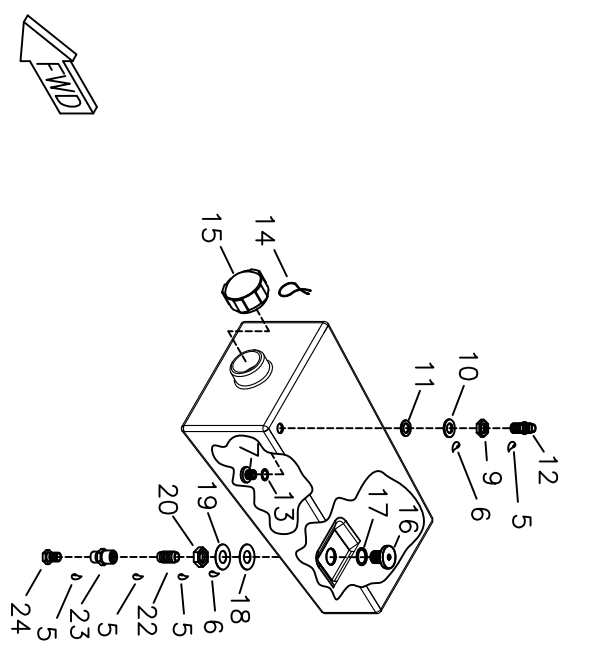
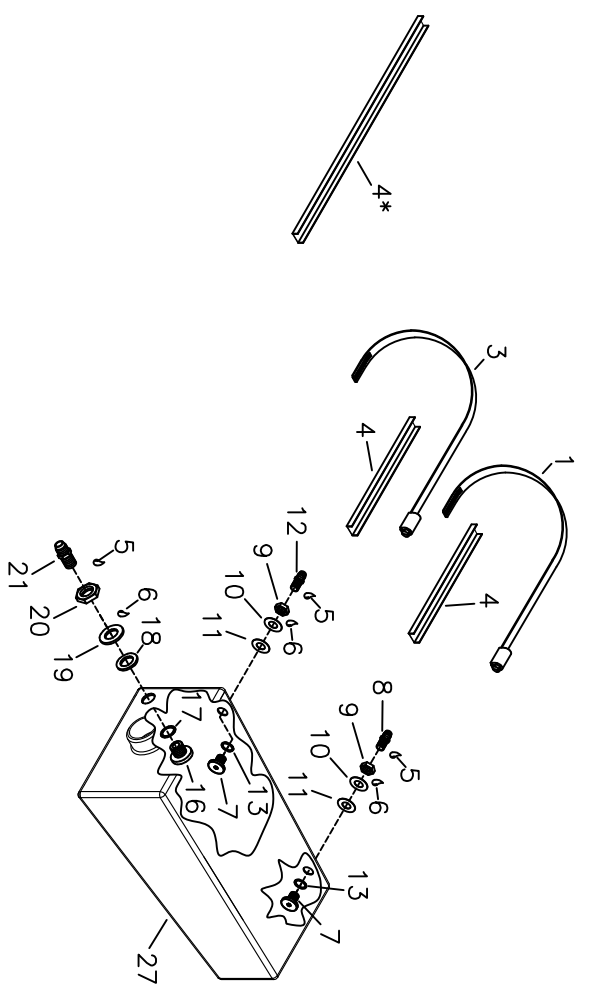


MD4186
REV. A

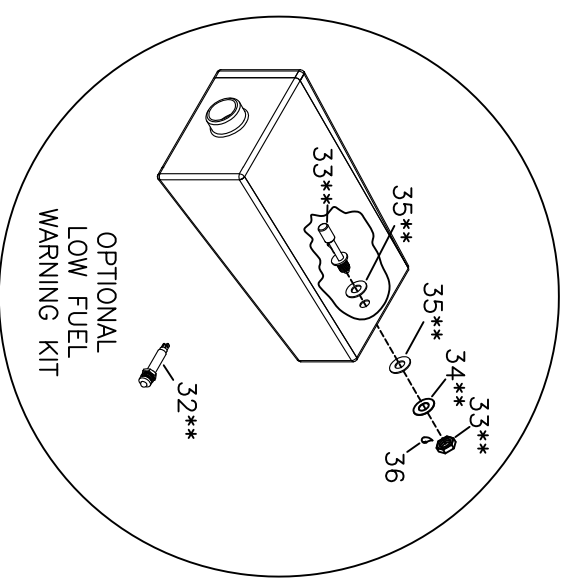
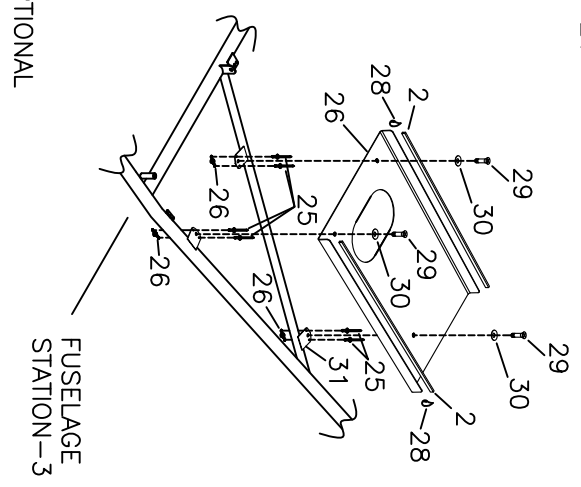
S-7S COURIER - FUEL SYSTEM - FUSELAGE

#	DESCRIPTION	PART NUMBER	QUANTITY
1.	Union - Flared Tube - Bulkhead	AN832-6D	1
2.	9/16" Thick Washer	AN960-916	2
3.	Loctite Blue *	-----	0
4.	Nut - Flared Tube Bulkhead	AN924-6D	1
5.	3/8" Hose Fitting	30682-6-6	4
6.	Hose Clamp	5-6203	6
7.	Black Fuel Line - 3/8"	27004	8 ft
8.	Nipple - Flared Tube & Pipe Thread	AN816-6D	2
9.	Thread Sealant *	-----	0
10.	Fuel Valve	KSFS0018	1
11.	45 Degree Fitting	33782-6-6	2
12.	90 Degree Fitting	33982-4-4	1
13.	Check Valve	KSFS0036	1
14.	1/4" Hose Fitting	30682-6-4B	2
15.	1/8" Aluminum Rivet - Cherry Q	AAPQ-42	4
16.	Fuel Valve Mount Bracket	KPFS0037	2
17.	Union - Flared Tube - Bulkhead	AN832-4D	1
18.	7/16" Thick Washer	AN960-716	2
19.	Nut - Flared Tube Bulkhead	AN924-4D	1
20.	45 Degree Fitting	KSFS0023	2
21.	Black Fuel Line - 1/4"	KSFS0002	8 ft
22.	Hose Clamp	5-6202	4
23.	Plastic Tie-7.5"	N-TIES	8
24.	Fuel Valve Silicon pad	KPFS0106	1

* Builder Supplied



*MUST MODIFY
 ** LOW FUEL WARNING KIT IS OPTIONAL



RRRND S-75 COURIER
FUEL SYSTEM - 2.75 GALLON HEADER TANK

S-7S COURIER - FUEL SYSTEM - 2.75 GALLON HEADER TANK

#	DESCRIPTION	PART NUMBER	QUANTITY
1.	8" Hose Clamp	KSHW0091	1
2.	Rubber Edging	8510K11	3 ft
3.	10" Hose Clamp	KSHW0047	1
4.	2.75 Gal. Header Tank Mount Channel *	KPFS0108	1
5.	Thread Sealant **	----	0
6.	Loctite Blue **	----	0
7.	1/2" Tank Withdrawal Fitting - LH Thread	KPFS00117	3
8.	Nipple	AN816-4D	1
9.	Nut - 1/2" Bulkhead - LH Thread	KPFS0118	3
10.	1/2" Thick Washer	AN960-816	3
11.	Rubber Washer	KSFS0010	3
12.	Straight Fitting	AN816-6-2D	2
13.	O-Ring	KSFS0009	3
14.	Safety Wire **	----	0
15.	Fuel Cap	KSFS0007	1
16.	3/4" Bulkhead Fitting	KSFS0037	2
17.	O-Ring - 3/4" Bulkhead	KSFS0039	2
18.	Rubber Washer	KSFS0016	2
19.	3/4" Thick Washer	AN960-1216	2
20.	Nut - 3/4" Bulkhead - Reverse Thread	KSFS0038	2
21.	Nipple - Flared Tube & Pipe Thread	AN816-6D	1
22.	Close Nipple	KSFS0021	1
23.	Reducer	KSFS0022	1
24.	Flush Valve	KSFS0011	1
25.	3/32" Aluminum Rivet	40APR1/8	6
26.	2.75 Gal. Header Tank Mount	KPFS0107	1
27.	Header Tank - 2.75 Gal.	KPFS0104	1
28.	Adhesive - Superglue **	----	0
29.	3/16" Countersunk Machine Screw	MS24694-S50	3
30.	3/16" Countersunk Washer	NAS1169-10L	3
31.	3/16" Nut Plate	K-1000-3	3
32.	Red LED Indicator Light, 12V ***	KSES0071	1
33.	Low Fuel Warning Switch ***	KSES0072	1
34.	5/8" Thick Washer (AN960-1016) ***	TW-5/8-W	1
35.	5/8" Rubber Washer ***	KSFS0040	2
36.	DOW 730 Sealant **	----	0

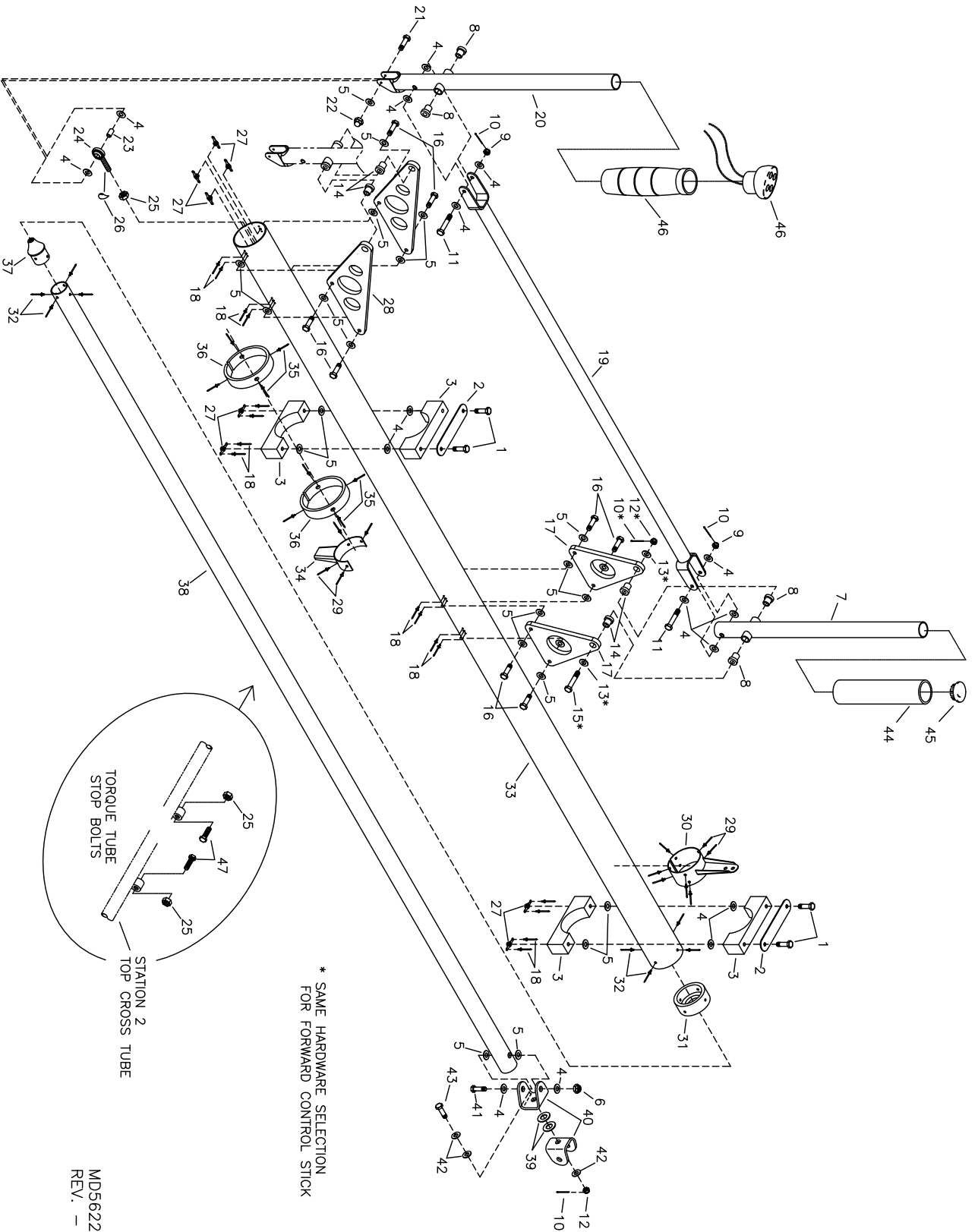
* Builder Modifies

** Builder Supplied

*** Low Fuel Warning Kit is Optional

9/1/2014

REV. D



* SAME HARDWARE SELECTION
FOR FORWARD CONTROL STICK

MD5622
REV. - ORIG

**RFDND S-7S COURIER
CONTROL STICK ASSEMBLY**

S-7S COURIER - CONTROL STICK ASSEMBLY

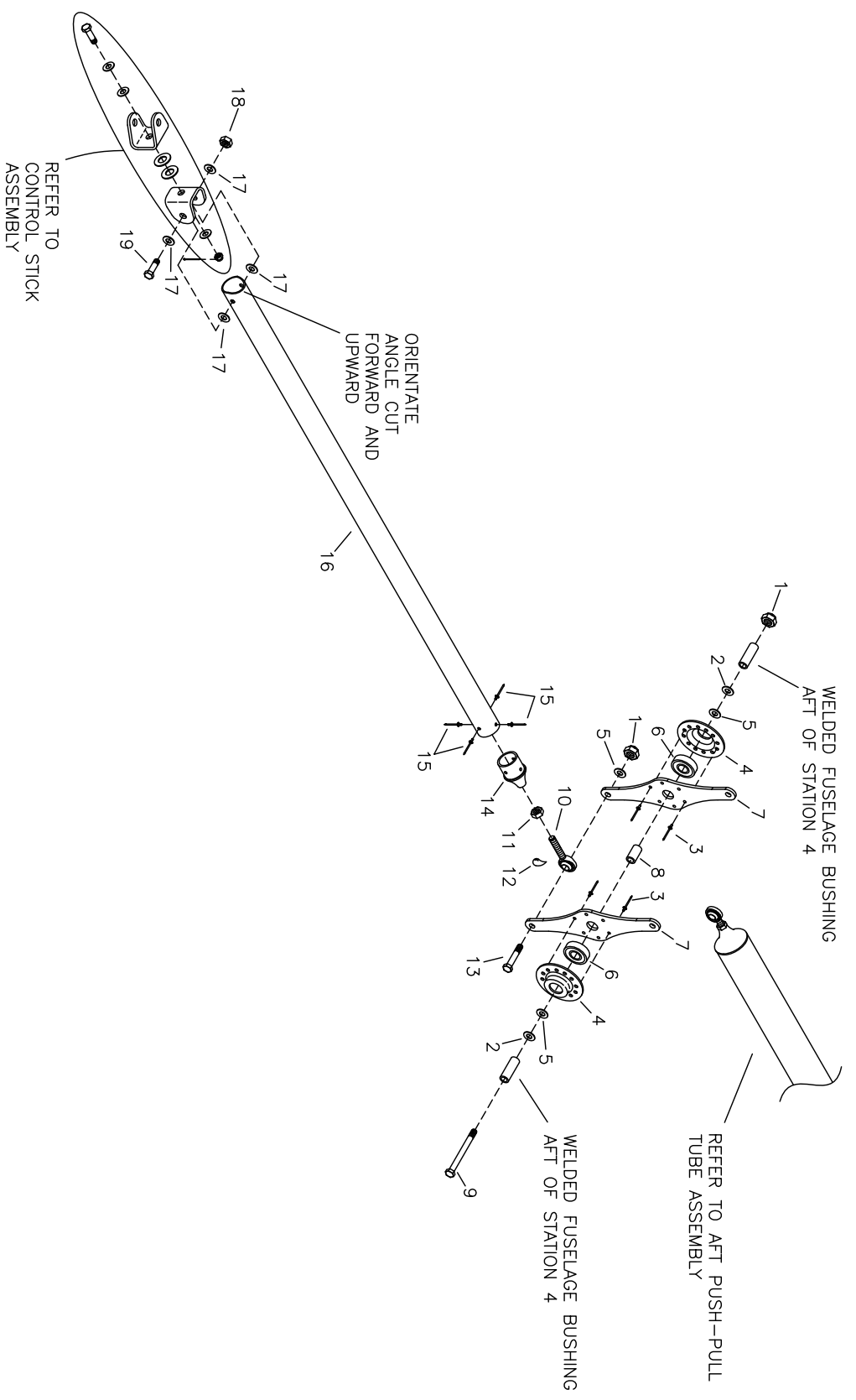
#	DESCRIPTION	PART NUMBER	QUANTITY
1.	3/16" Bolt	AN3-27A	4
2.	Pillow Block Top Plate	KPCS0280	2
3.	Torque Tube Pillow Block	KPCS0279	4
4.	3/16" Thick Washer	AN960-10	16
5.	3/16" Thin Washer	AN960-10L	23
6.	3/16" Shear Nut	AN364-1032A	1
7.	AFT Control Stick	KPCS0276	1
8.	Flange Bushing	KSAC0019-10	4
9.	3/16" Castle Nut	AN310-3	2
10.	Small Cotter Pin	MS24665-134	3
11.	3/16" Close Tolerance Bolt	AN173-15	2
12.	1/4" Castle Nut	AN310-4	3
13.	3/8" Thick Washer	AN960-616	4
14.	Flange Bushing	KSAC0019-9	4
15.	1/4" Bolt	AN4-30	2
16.	3/16" Bolt	AN3-5A	8
17.	AFT Torque Tube Side Plate	KPCS0274	2
18.	3/32" Aluminum Rivet	40APR1/8	24
19.	Control Stick Push-Pull Tube Assembly	KACS0005	1
20.	FWD Control Stick	KPCS0275	1
21.	3/16" Bolt	AN3-7A	1
22.	3/16" Shear Acorn Nut	22NKM02	1
23.	Aluminum Bushing, 1/4" x .028" x .36" *	KAAC0042-1	0
24.	Male Rod End	NM-4	1
25.	1/4" Plain Nut	AN345-416	3
26.	Loctite Blue **	-----	0
27.	3/16" Nut Plate	K-1000-3	12
28.	FWD Torque Tube Side Plate	KPCS0271	2
29.	1/8" Stainless Steel Rivet - Cherry Q	CCPQ-41	12
30.	Torque Tube Horn	KPCS0288	1
31.	Torque Tube Glide	KPCS0278	1
32.	1/8" Stainless Steel Rivet - Cherry Q	CCPQ-43	8
33.	Torque Tube	KPCS0282	1
34.	Control Stick Stop	KPCS0277	1
35.	1/8" Stainless Steel Rivet - Cherry Q	CCPQ-44	8
36.	Stop Ring ***	KPCS0281	2
37.	Push-Pull Tube End Fitting	KPCS0016	1
38.	Torque Tube Push-Pull Tube	KPCS0283	1
39.	1/4" Large Washer	AN970-4	2
40.	U-Bracket	KPAC0036	2
41.	3/16" Bolt	AN3-15A	1
42.	1/4" Thick Washer	AN960-416	3
43.	1/4" Bolt	AN4-7	1
44.	Foam Grip - Control Stick	CS-G	1
45.	End Cap	CS-EC	1
46.	MAC Control Stick Grip	KSCS0016	1
47.	1/4" - 28 X 1" Bolt	1/4 X 1 BOLT	2

* Fabricate from Raw Stock

** Builder Supplied

*** Builder Modifies

9/1/2014



REVISIONS S-7S COURIER
FORWARD PUSH-PULL TUBE ASSEMBLY

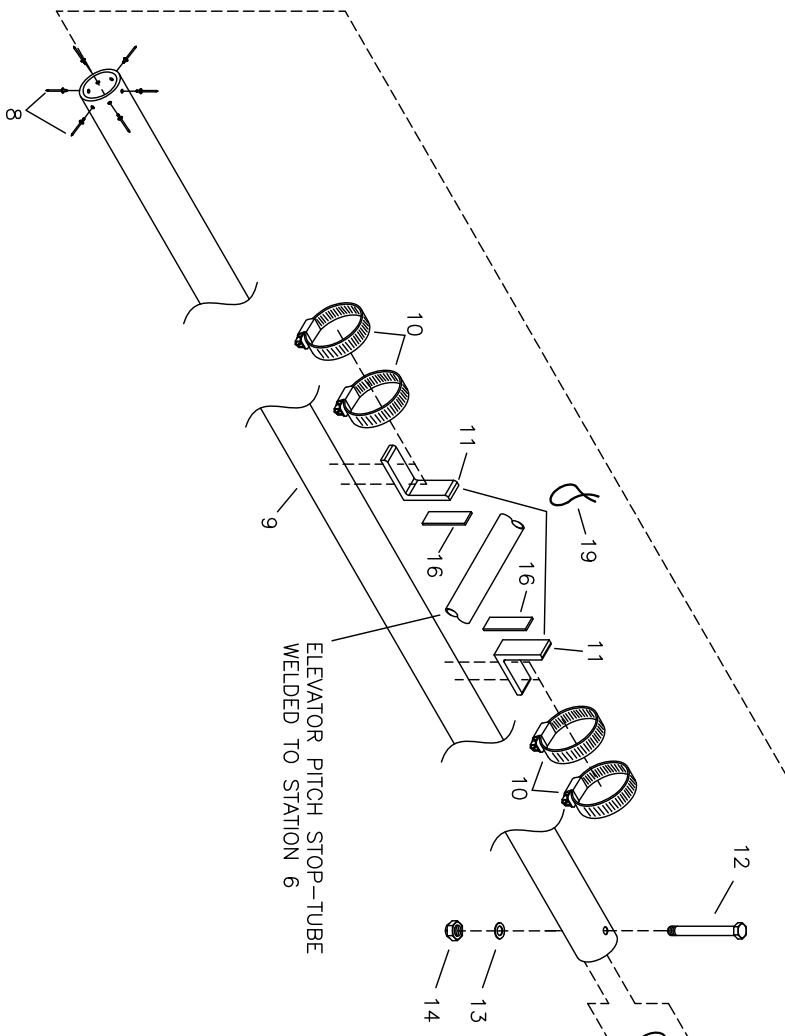
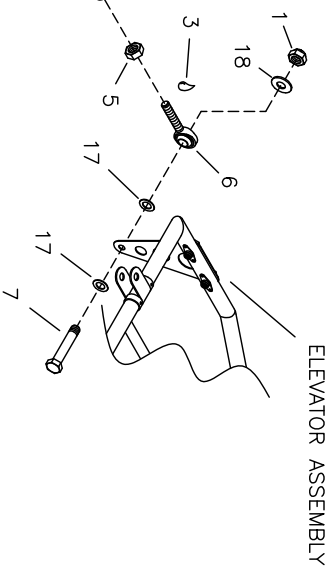
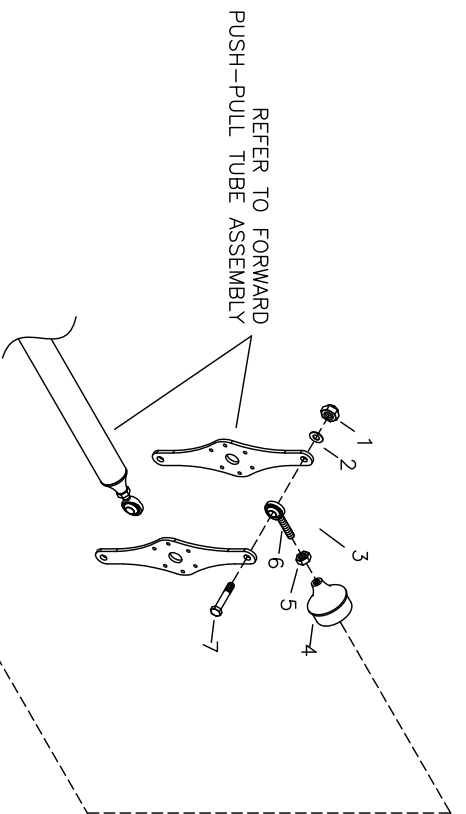
MDS5622
 REV. - ORIG

#	DESCRIPTION	PART NUMBER	QUANTITY
1.	1/4" Shear Nut	AN364-428A	2
2.	1/4" Thin Washer	AN960-416L	2
3.	1/8" Aluminum Rivet - Cherry Q	AAPQ-44	12
4.	Bearing Flange	BR-FLNG	2
5.	1/4" Thick Washer	AN960-416	3
6.	Bearing	SR4APP	2
7.	Bell Crank	KPCS0273	2
8.	Spacer Bushing, 3/8" x .058" x 5/8" *	KAAC0042-2	0
9.	1/4" Bolt	AN4-36A	1
10.	Male Rod End	NM-4	1
11.	1/4" Plain Nut	AN345-416	1
12.	Loctite Blue **	-----	0
13.	1/4" Bolt	AN4-10A	1
14.	Push-Pull Tube End Fitting	KPCS0016	1
15.	1/8" Stainless Steel Rivet - Cherry Q	CCPQ-43	4
16.	AFT 1" Push-Pull Tube	KPCS0285	1
17.	3/16" Thin Washer	AN960-10L	4
18.	3/16" Shear Nut	AN364-1032A	1
19.	3/16" Bolt	AN3-15A	1

* Fabricate from Raw Stock

** Builder Supplied

9/1/2014



LEFT HAND ONLY SHOWN

MD5622
REV. B

RRRINDS S-7S COURIER AFT PUSH-PULL TUBE & ELEVATOR YOKE ASSEMBLY

S-7S COURIER - AFT PUSH-PULL TUBE & ELEVATOR YOKE ASSEMBLY

#	DESCRIPTION	PART NUMBER	QUANTITY
1.	1/4" Shear Nut	AN364-428A	3
2.	1/4" Thick Washer	AN960-416	1
3.	Loctite Blue *	-----	0
4.	Push-Pull Tube End Fitting	KPCS0287	1
5.	1/4" Plain Nut	AN345-416	3
6.	Male Rod End	NM-4	3
7.	1/4" Bolt	AN4-10A	3
8.	1/8" Stainless Steel Rivet - Cherry Q	CCPQ-43	6
9.	AFT 1-1/2" Push-Pull Tube **	KPCS0286	1
10.	Hose Clamp	5-5220	4
11.	Pitch Stop **	KPCS0284	2
12.	3/16" Bolt	AN3-17A	1
13.	3/16" Thick Washer	AN960-10	1
14.	3/16" Shear Nut	AN364-1032A	1
15.	Elevator Yoke	KPEL0032	1
16.	1/2" Black Foam Tape	KSAC0021	0.5 ft
17.	1/4" Thin Washer	AN960-416L	4
18.	1/4" X 5/8" Steel Washer	KSHW0075	2
19.	Safety Wire *	-----	0

* Builder Supplied,

** Builder Modifies

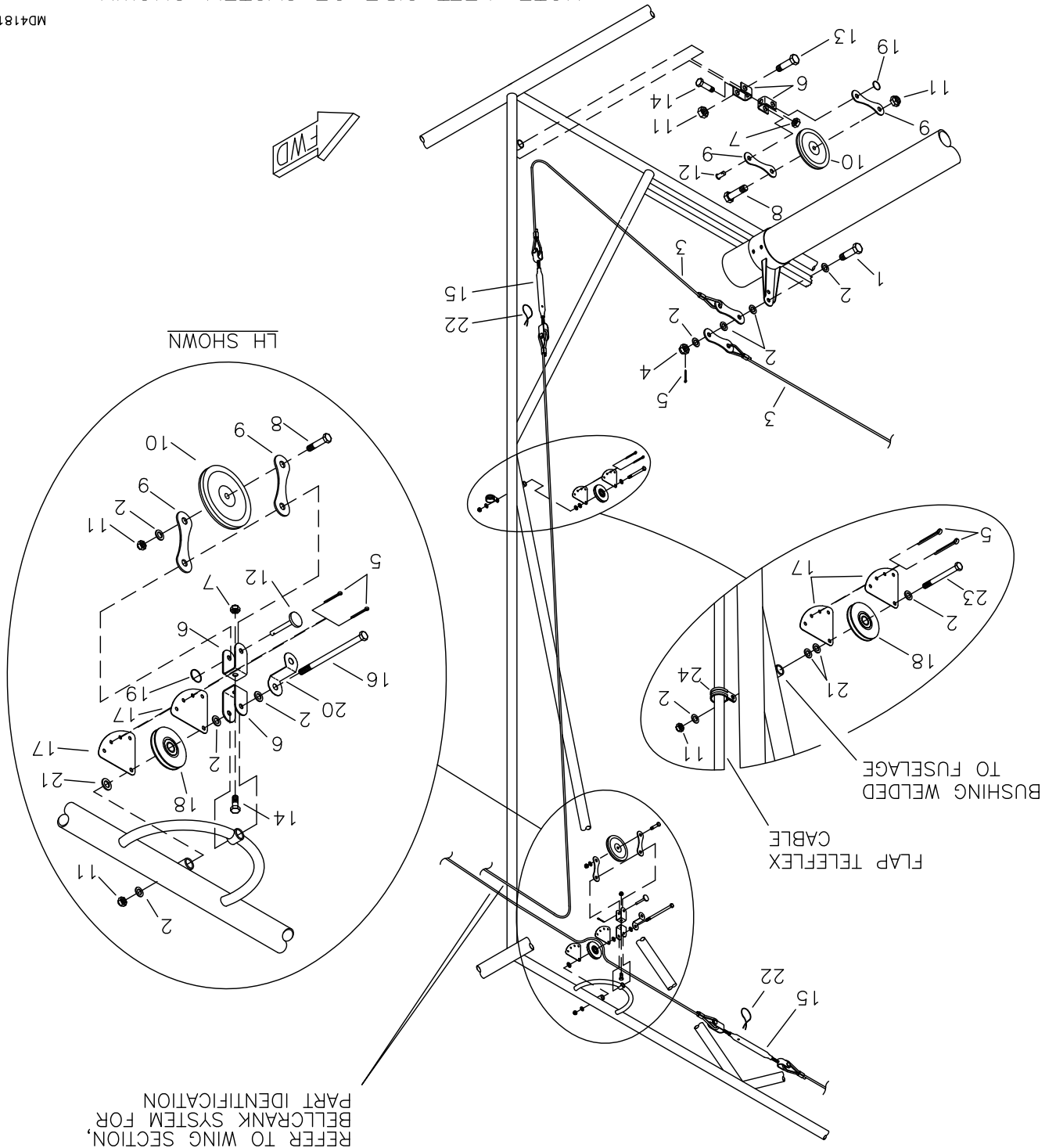
9/1/2014

REV. A

RRMS S-7S COURIER ALLERON CABLE SYSTEM INSTALLATION - FUSELAGE

NOTE: LEFT SIDE OF SYSTEM SHOWN

MD4181



REFER TO WING SECTION,
BELCRANK SYSTEM FOR
PART IDENTIFICATION

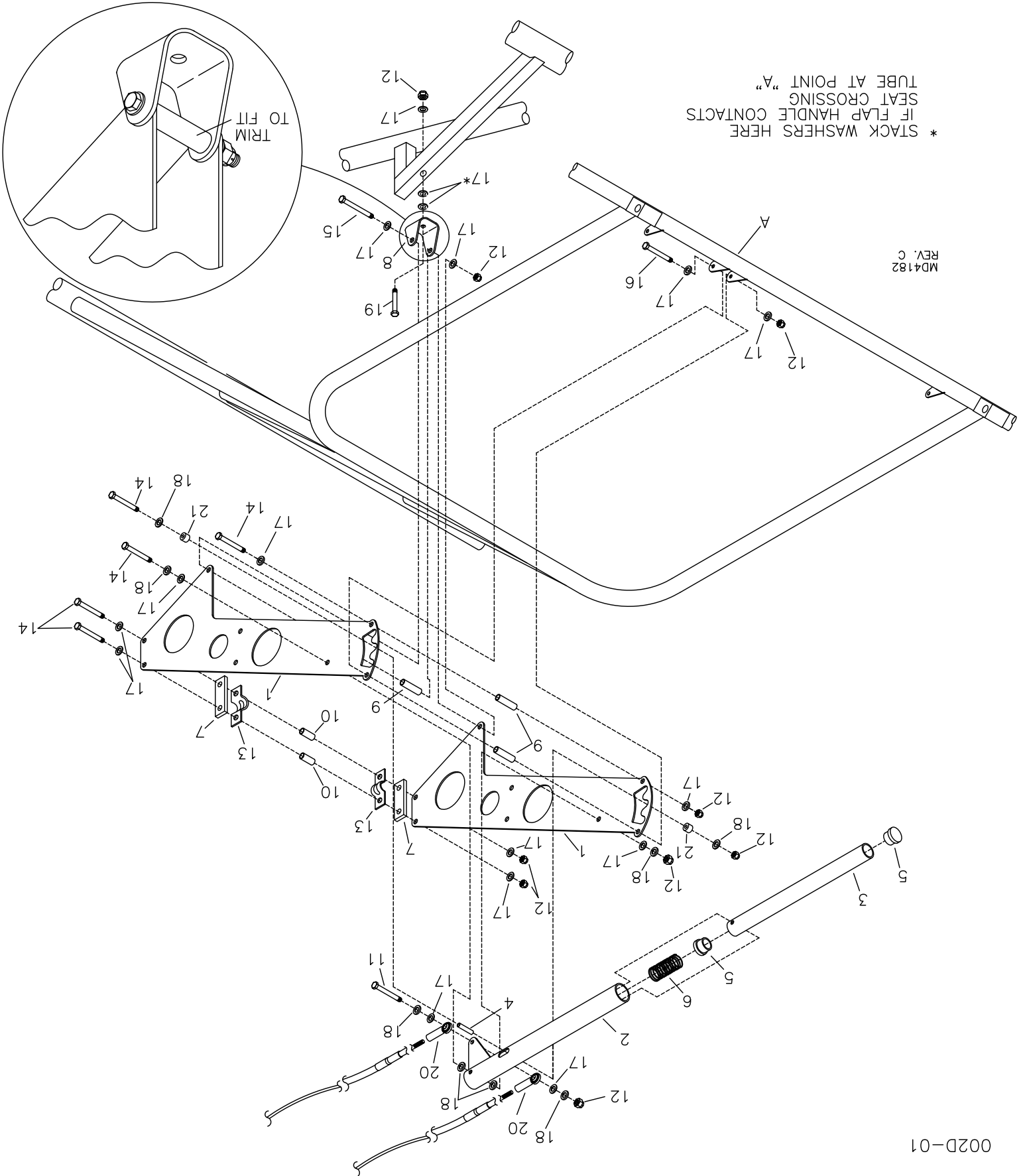
S-7S COURIER - AILERON CABLE SYSTEM INSTALLATION - FUSELAGE

#	DESCRIPTION	PART NUMBER	QUANTITY
1.	3/16" Bolt	AN3-5	1
2.	3/16" Thin Washer	AN960-10L	17
3.	Lower Aileron Cable	KACS0034	2
4.	3/16" Castle Nut	AN310-3	1
5.	Small Cotter Pin	MS24665-134	8
6.	U-Bracket	RL-205-T	8
7.	3/16" Tensile Nut	AN365-1032A	4
8.	3/16" Bolt	AN3-6A	4
9.	Hummer Tang	T12-HT6	8
10.	Pulley	AN210-2A	4
11.	3/16" Shear Nut	AN364-1032A	10
12.	3/16" Clevis Pin	MS20392-2C17	4
13.	3/16" Bolt	AN3-7A	2
14.	3/16" Bolt	AN3-3A	4
15.	Turnbuckle	RL-335-AT	3
16.	3/16" Bolt	AN3-24A	2
17.	Small Cable Keeper *	KPCS0207	2
18.	Small Pulley	AN210-1A	4
19.	Loc Ring	RL 27 1/4	4
20.	Attach Bracket	KPAC0132	2
21.	3/16" Thick Washer	AN960-10	6
22.	Safety Wire **	-----	0
23.	3/16" Bolt	AN3-17A	2
24.	3/8" Cushion Clamp	MS21919-WDG6	2

*Builder modifies

**Builder provided

RFD S-7S COURIER FLAP LEVER ASSEMBLY AND INSTALLATION

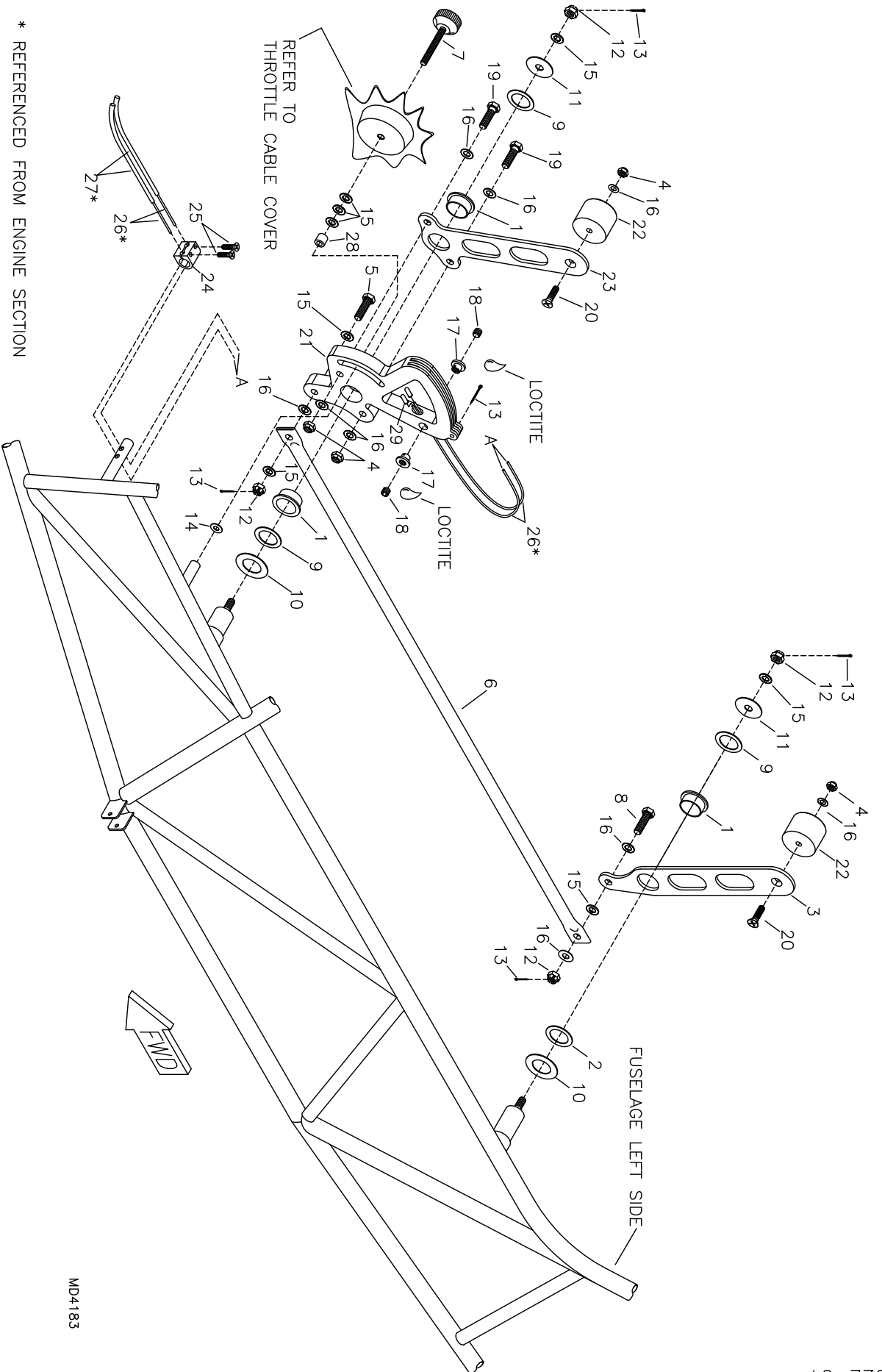


MD4182
REV. C

* STACK WASHERS HERE
IF FLAP HANDLE CONTACTS
SEAT CROSSING
TUBE AT POINT "A"

S-7S COURIER - FLAP LEVER ASSEMBLY AND INSTALLATION

#	DESCRIPTION	PART NUMBER	QUANTITY
1.	Side Plate Flap Lever	KPCS0209	2
2.	Flap Handle	KPCS0210	1
3.	Flap Trip Release Tube	KPFL0089	1
4.	Spacer Bushing, 1/4" x .028 x .88"	KPCS0172	1
5.	Endcap	3/4 ENDCAP	2
6.	Spring	C-21	1
7.	Plastic Shim	KPAC0121	2
8.	U-Bracket	S2-SAB	1
9.	Spacer Bushing, 1/4" x .028 x 1.00"	KPCS0169	3
10.	Spacer Bushing, 1/4" x .028 x .63"	KPCS0170	2
11.	3/16" Bolt	AN3-12A	1
12.	3/16" Shear Nut	AN364-1032A	9
13.	Teleflex Retainer Bracket	KSCS0001	2
14.	3/16" Bolt	AN3-15A	5
15.	3/16" Bolt	AN3-16A	1
16.	3/16" Bolt	AN3-17A	1
17.	3/16" Thick Washer	AN960-10	15
18.	3/16" Thin Washer	AN960-10L	6
19.	3/16" Bolt	AN3-10A	1
20.	Female Rod End	NF-3	2
21.	Roller/Spacer Bushing, 3/8" x .095 x .24"	KPCS0171	2



PIPER S-7S COURIER
THROTTLE LEVER INSTALLATION

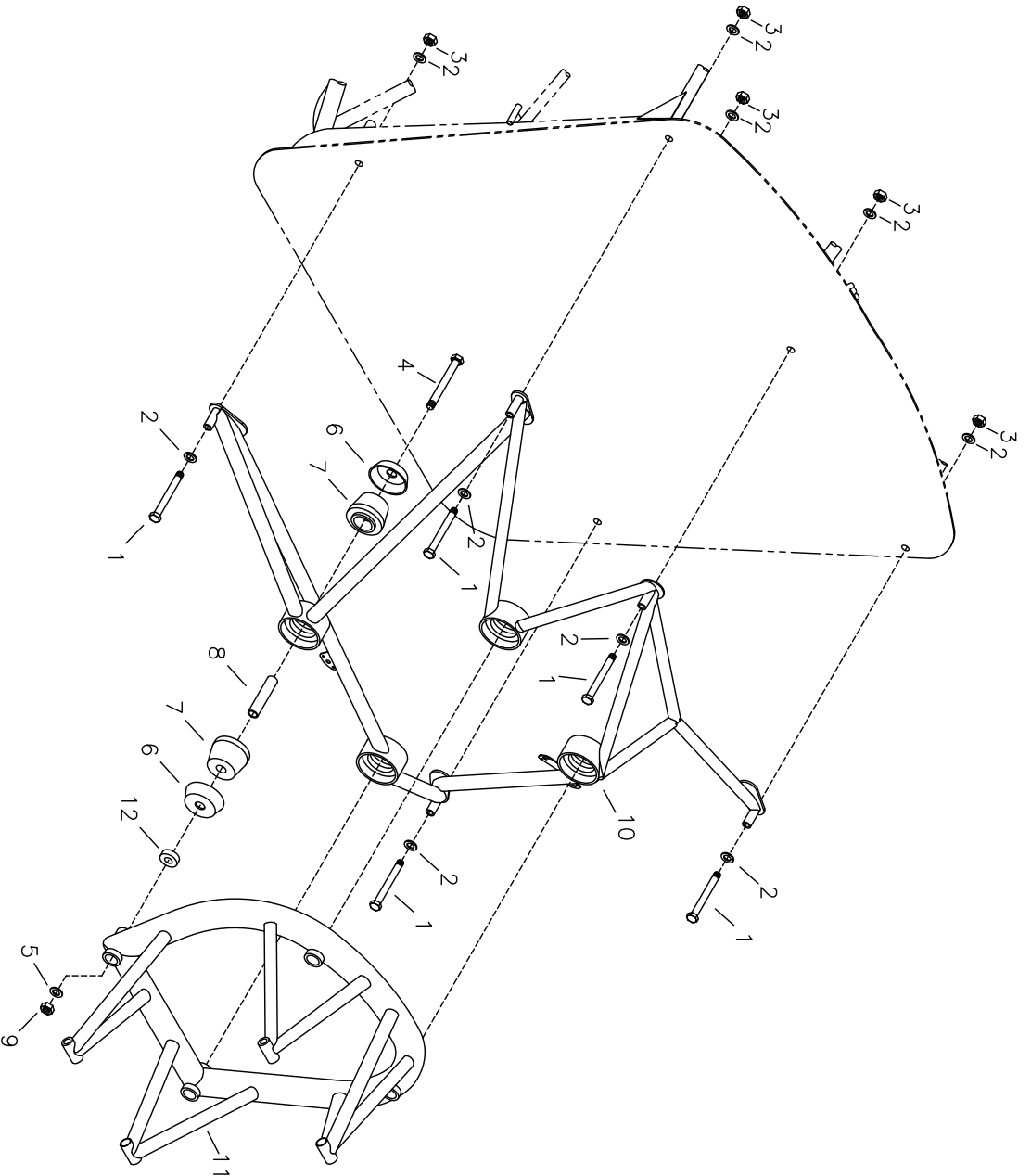
MD4183

S-7S COURIER - THROTTLE LEVER INSTALLATION

#	DESCRIPTION	PART NUMBER	QUANTITY
1.	Flange Bushing	KSAC0019-18	3
2.	Plastic Washer (.625 dia.)	KSAC0042	1
3.	AFT Throttle Lever	KPCS0102	1
4.	3/16" Shear Nut	AN364-1032A	4
5.	3/16" Bolt	AN3-10	1
6.	Link Tube	KPCS0094	1
7.	Knob	KSAC0012	1
8.	3/16" Bolt	AN3-6	1
9.	Nylon Washer	KSAC0005	3
10.	1/2" Thick Washer	AN960-816	2
11.	3/16" Large Washer	AN970-3	2
12.	3/16" Castle Nut	AN310-3	4
13.	Small Cotter Pin	MS24665-134	5
14.	Nylon Washer	KSHW0068	1
15.	3/16" Thick Washer	AN960-10	8
16.	3/16" Thin Washer	AN960-10L	9
17.	Cable Stop	KSHW0044	2
18.	Set Screw (5 mm)	KSHW0043	2
19.	3/16" Bolt	AN3-7A	2
20.	3/16" Countersunk Machine Bolt	AN509-1032R14	2
21.	Throttle Cable Guide	KPCS0289	1
22.	Knob	KPCS0104	2
23.	FWD Throttle Lever	KPCS0101	1
24.	Throttle Cable Housing Retention Block	KPCS0106	1
25.	Machine Screw	MS35206-218	2
26.	Throttle Cable *	-----	0
27.	Throttle Cable Housing *	-----	0
28.	Spacer	KSHW0042	1
29.	Cable End	BSCP0030	2

*Referenced from Engine Section

9/1/2014



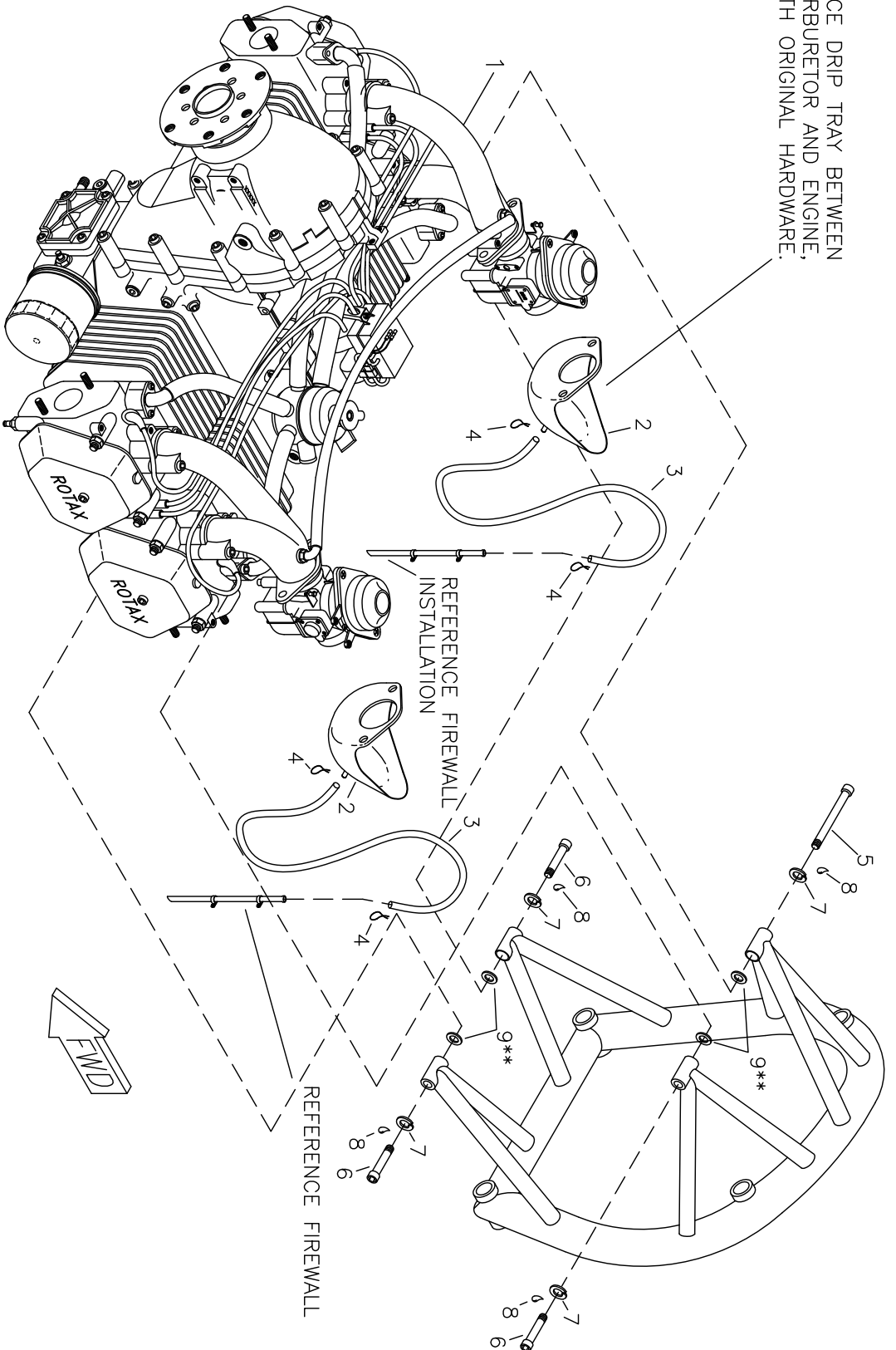
RAMBLER S-7S COURIER
912 ENGINE MOUNT INSTALLATION

MD5641
REV. A

S-7S COURIER - 912ULS ENGINE MOUNT INSTALLATION

#	DESCRIPTION	PART NUMBER	QUANTITY
1.	1/4" Bolt	AN4-27A	5
2.	1/4" Thick Washer	AN960-416	10
3.	1/4" Tensile Nut	AN365-428A	5
4.	3/8" Bolt	AN6-43A	4
5.	3/8" Thin Washer	AN960-616L	4
6.	Cup Washer	KPPW0299	8
7.	Shock Mount	KPPW0298	8
8.	Bushing	KPPW0294	4
9.	3/8" Tensile Loc Nut	AN363-624A	4
10.	Engine Mount - AFT	KAPW0063	1
11.	Engine Suspension Frame Assembly	KSPW0099	1
12.	Engine Mount Spacer	KPPW0304	4

PLACE DRIP TRAY BETWEEN
CARBURETOR AND ENGINE,
RE-ATTACH WITH ORIGINAL HARDWARE.



* 912S REFERS TO ROTAX 912ULS
** AS NEEDED

ROTAX S-7S COURIER 912ULS ENGINE *

S-7S COURIER - 912ULS ENGINE INSTALLATION

#	DESCRIPTION	PART NUMBER	QUANTITY
1.	Rotax 912 Engine (ordered seperately)	KSPW0063	1
2.	Drip Tray	KPPW0220	2
3.	Black Fuel Line - 1/4"	KSFS0002	3 ft
4.	Safety Wire *	-----	0
5.	Socket Head Cap Screw, M10-1.5 X 110	M10-1.5 X 110 SHCS	1
6.	Socket Head Cap Screw, M10-1.5 X 35	M10-1.5 X 35 SHCS	3
7.	10mm Lock Washer	945-753	4
8.	Loctite Blue *	-----	0
9.	3/8" Thin Washer	AN960-616L	4

*Builder Supplied

PARTS PAGES

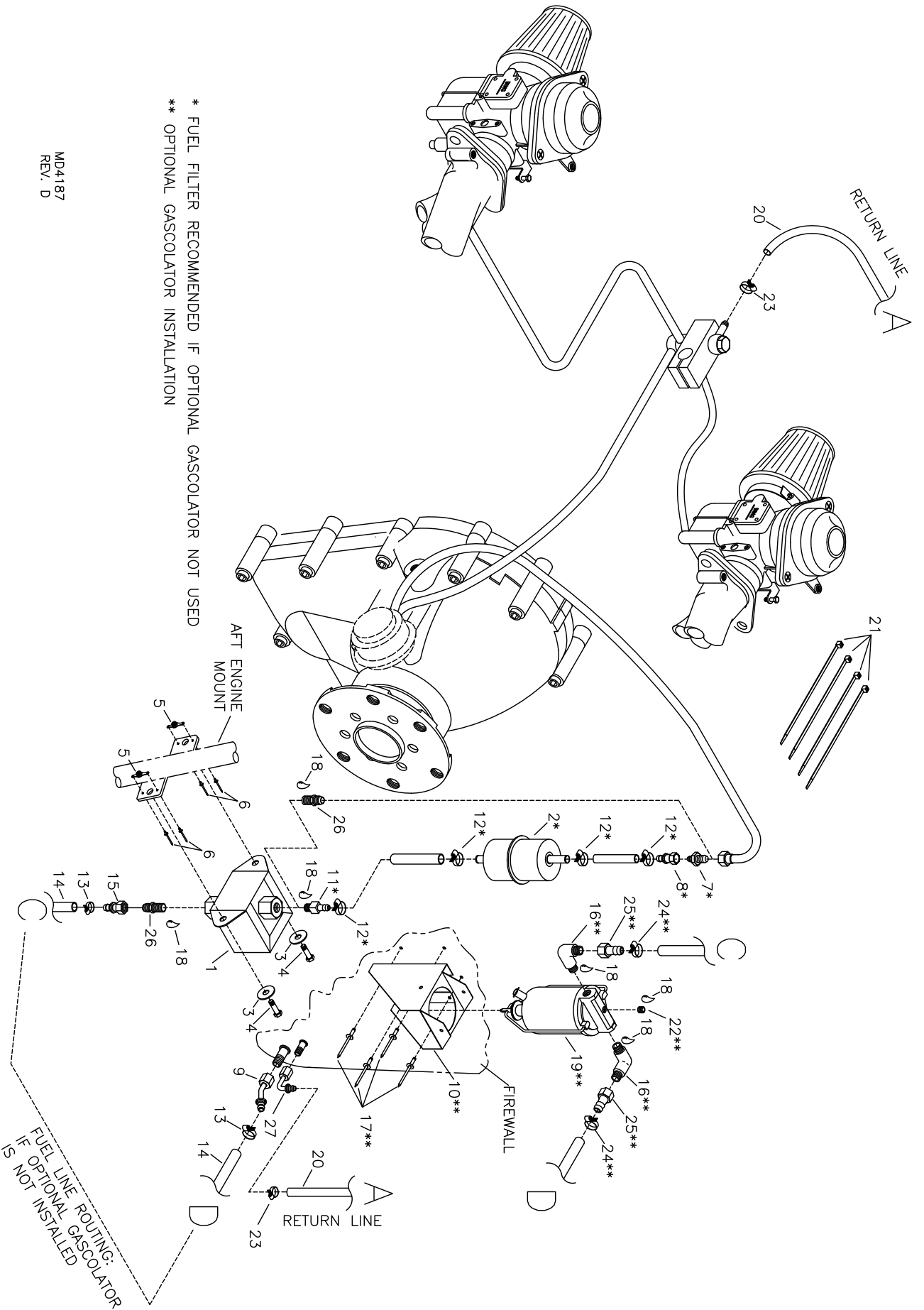
003-005

THRU

003-07

INTENTIONALLY

LEFT BLANK



* FUEL FILTER RECOMMENDED IF OPTIONAL GASCOLATOR NOT USED
 ** OPTIONAL GASCOLATOR INSTALLATION

MD4187
 REV. D

RRR0000 S-75 COURIER
FUEL LINE INSTALLATION - FIREWALL FORWARD

S-7S COURIER - FUEL LINE INSTALLATION - FIREWALL FORWARD**SHOWN WITH OPTIONAL GASCOLATOR**

#	DESCRIPTION	PART NUMBER	QUANTITY
1.	Fuel Pump	KSPW0077	1
2.	Fuel Filter *, ***, ****	----	0
3.	#10 SS Washer	BSHW0022	2
4.	3/16" Bolt	AN3-3A	2
5.	3/16" Nut Plate	K-1000-3	2
6.	3/32" Aluminum Rivet	40APR1/8	4
7.	Reducer - External Thread - Flared Tube ***, ****	AN919-6D	1
8.	1/4" Hose Fitting ***, ****	30682-4-4	1
9.	45 Degree Fitting	33782-6-6	1
10.	Gascolator Bracket **	KSPW0066	1
11.	Straight Withdrawal Fitting ***, ****	8330	1
12.	Hose Clamp ***, ****	5-6202	4
13.	Hose Clamp	5-6203	2
14.	Black Fuel Line - 3/8"	27004	2 ft
15.	3/8" Hose Fitting	30682-6-6	1
16.	90 Degree Fitting **	AN822-6D	2
17.	1/8" Stainless Steel Rivet - Cherry Q **	CCPQ-41	4
18.	Thread Sealant ****	----	0
19.	Gascolator **	KSPW0067	1
20.	Black Fuel Line - 1/4"	KSFS0002	3 ft
21.	Plastic Tie-7.5"	N-TIES	4
22.	1/8 " Pipe Plug **	PIPE-PLUG 1/8	1
23.	Hose Clamp	5-6202	2
24.	Hose Clamp **	5-6203	2
25.	3/8" Hose Fitting **	30682-6-6	2
26.	Straight Fitting	AN816-6-2D	2
27.	90 Degree Fitting	33982-4-4	1

* Contact ROTAX for recommended fuel filter

** Optional Gascolator

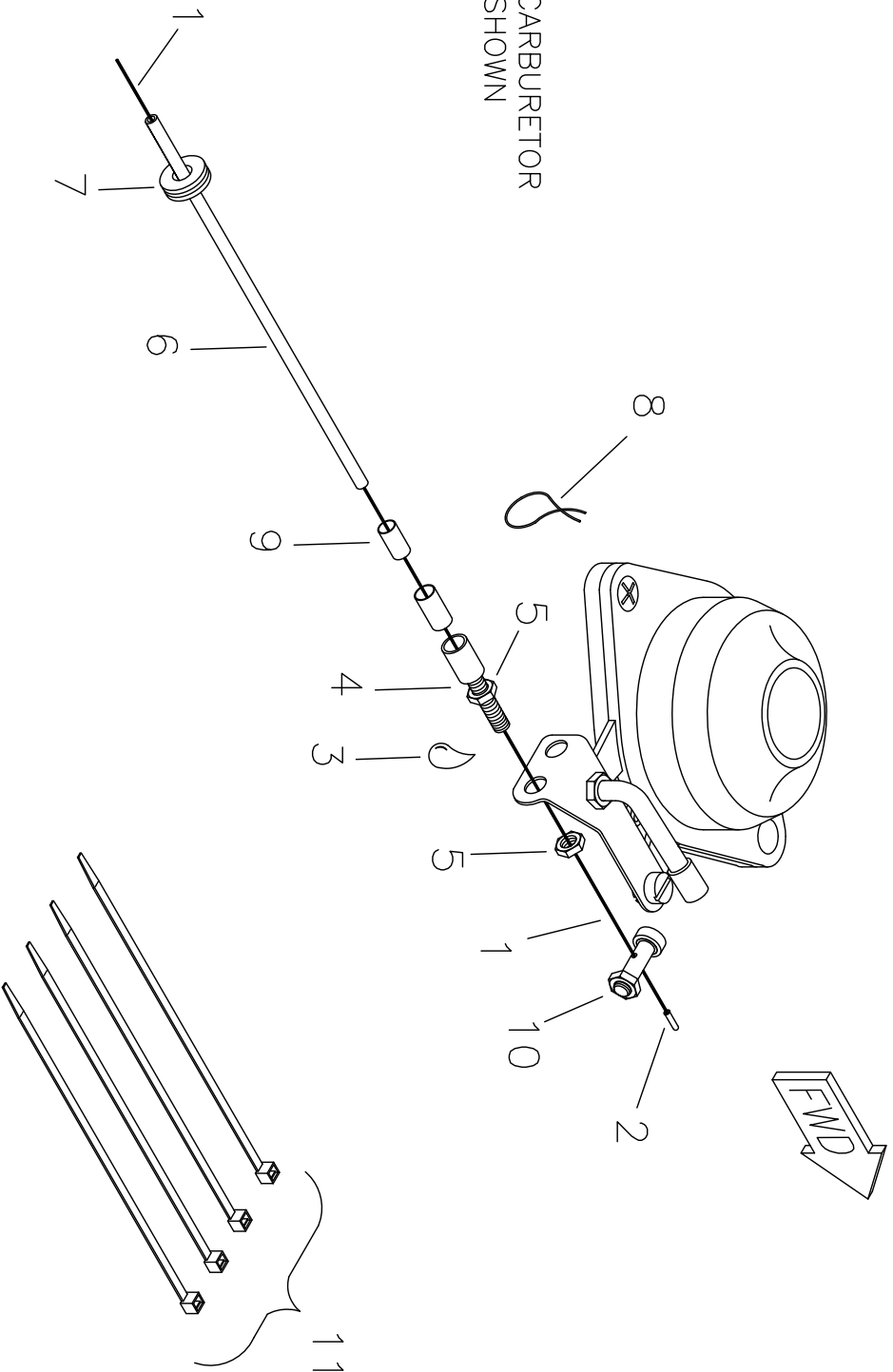
*** Fuel Filter recommended if Optional gascolator is not installed

**** Builder Supplied

9/1/2014

REV. D

RIGHT HAND CARBURETOR
CONNECTION SHOWN



NOTE: FOR CABLE CONNECTION TO
THROTTLE LEVER, REFERENCE
THROTTLE LEVER INSTALLATION

RRRNDSS S-7S COURIER THROTTLE CABLE INSTALLATION

MD4188

S-7S COURIER - 912ULS THROTTLE CABLE INSTALLATION

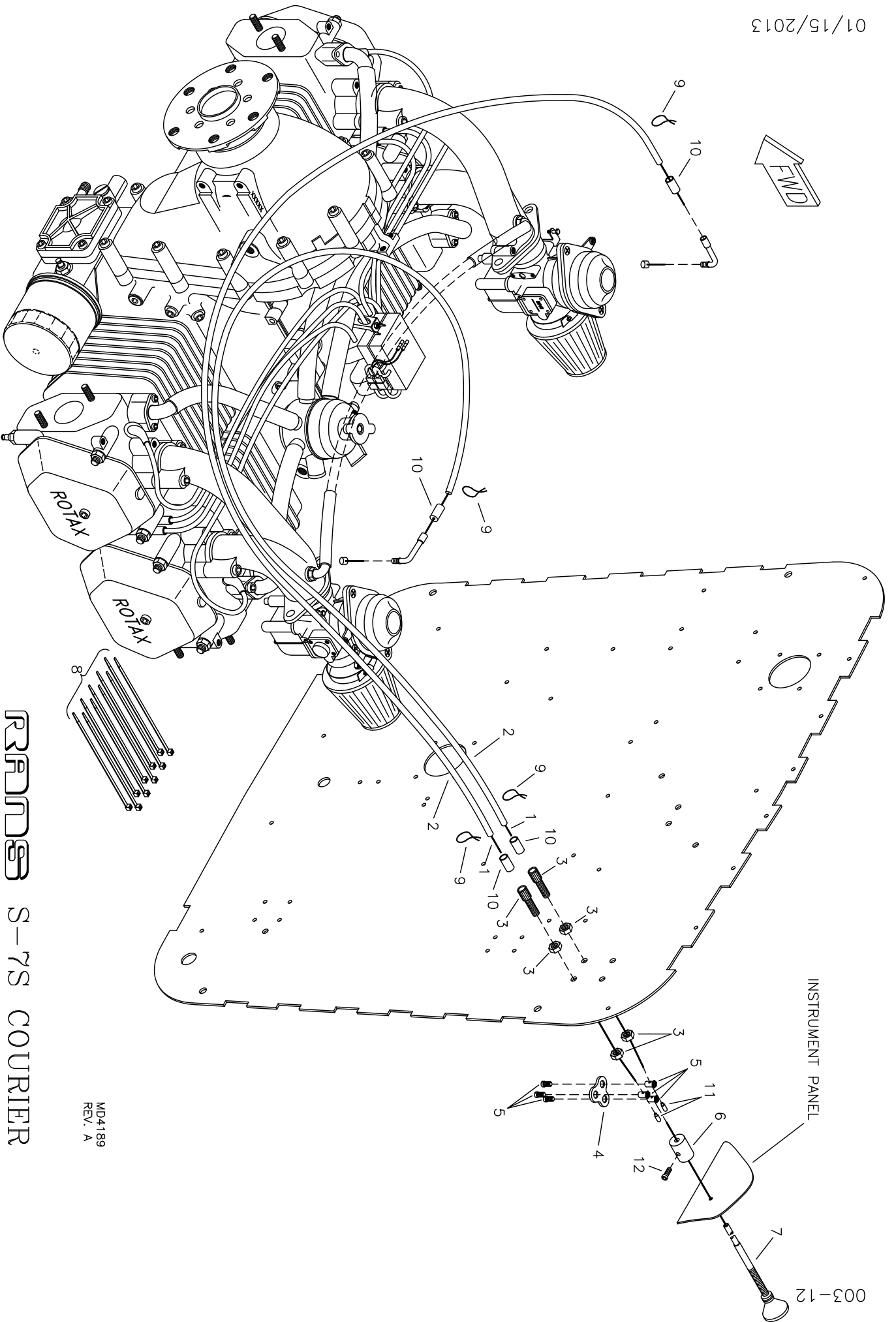
#	DESCRIPTION	PART NUMBER	QUANTITY
1.	Choke / Throttle Cable	BC-105	2
2.	Cable End	BSCP0030	2
3.	Loctite Blue ***	-----	0
4.	Throttle Adjuster Ferrule *	-----	0
5.	1/8" Ferrule Nut *	-----	0
6.	Throttle Cable Housing	KSAC0068	10 ft
7.	Grommet **	KSAC0002	0
8.	Safety Wire ***	-----	0
9.	Cable Housing Endcap	ENDCAP-12000	2
10.	Wire Stop/Screw *	-----	0
11.	Plastic Tie-15"	LG-N-TIE	4
12.	Cable Conduit Ferrule End Cap	80-0002-01	2

*Supplied with Engine.

**Referenced from Firewall Installation

***Builder Supplied

9/1/2014



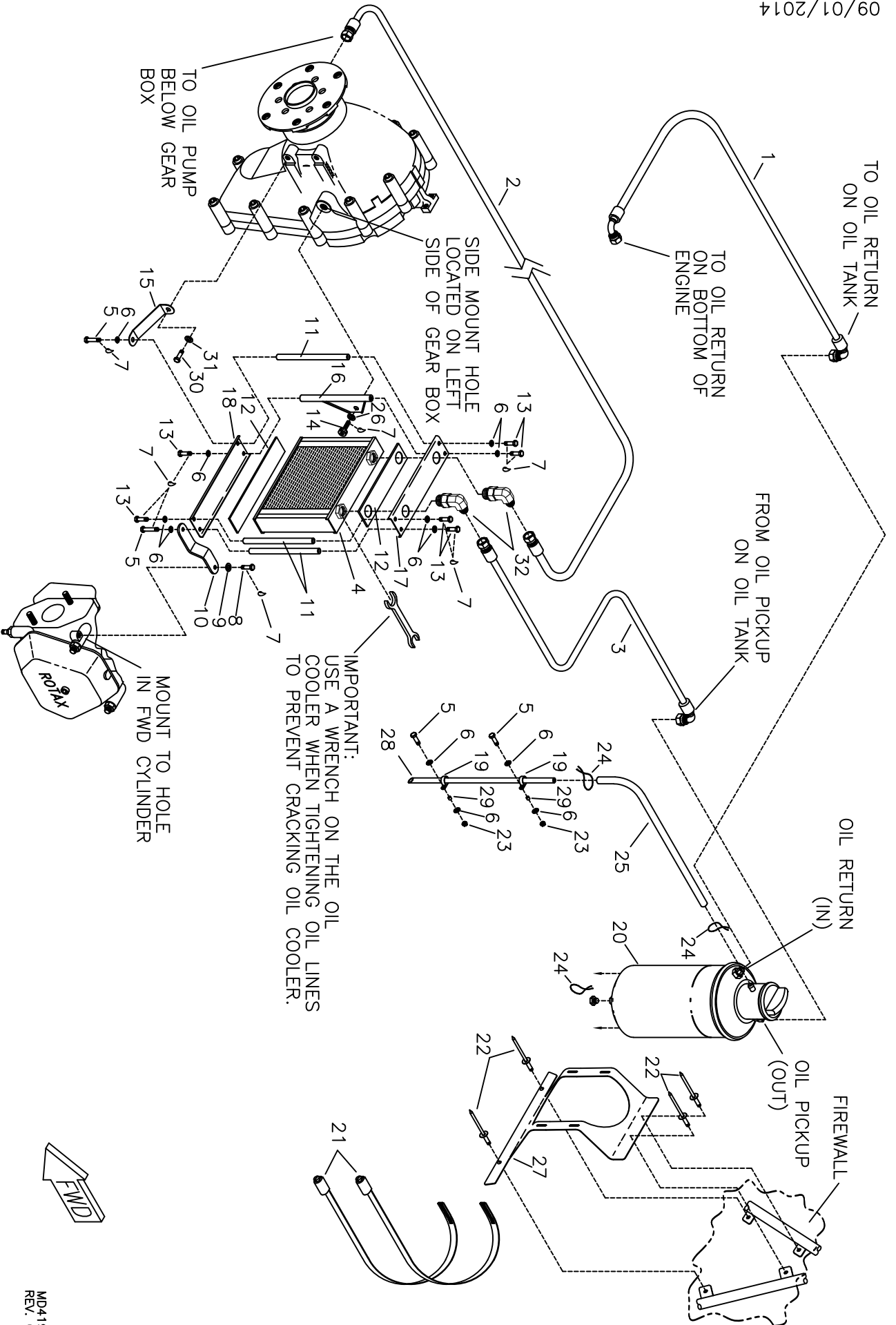
ROTAX S-7S COURIER
912 CHOKE INSTALLATION

MD4189
 REV. A

#	DESCRIPTION	PART NUMBER	QUANTITY
1.	Choke Cable	BC-105	2
2.	Cable Housing	EG-T-CAB-H	8 ft
3.	Adjuster Cable Ferrule	12553	2
4.	Mixer Plate	KPPW0076	1
5.	Cable Swivel Stop	2361	3
6.	Cable Friction Block	T-STOP	1
7.	Control Cable	4-336	1
8.	Plastic Tie-7.5"	N-TIES	10
9.	Safety Wire *	-----	0
10.	Cable Housing Endcap	ENDCAP-12000	4
11.	Cable End	BSCP0030	2
12.	Socket Head Cap Screw	T-SC	1

*Builder provided

1/15/2013



RRANDOLPH S-7S COURIER
912ULS LUBRICATION SYSTEM ASSEMBLY AND INSTALLATION



S-7S COURIER - 912ULS LUBRICATION SYSTEM ASSEMBLY & INSTALLATION

#	DESCRIPTION	PART NUMBER	QUANTITY
1.	Oil Line Assembly - ROTAX 912ULS	KSPW0135	1
2.	Oil Line Assembly - ROTAX 912ULS	KSPW0136	1
3.	Oil Line Assembly - ROTAX 912ULS	KSPW0137	1
4.	Oil Cooler	21608	1
5.	3/16" Bolt	AN3-5A	4
6.	3/16" Thin Washer	AN960-10L	12
7.	Loctite Blue ****	----	0
8.	6MM X 16MM Bolt	M6X16 BOLT	1
9.	1/4" Thin Washer	AN960-416L	1
10.	Bent Oil Cooler Mount	KPPW0222	1
11.	Threaded Bushing	KPPW0180	3
12.	.093 Silicone Sheet ***	KPPW0254	2
13.	3/16" Bolt	AN3-4A	6
14.	10mm X 35mm Bolt	10MM X 35	1
15.	Oil Cooler Mount	KPPW0223	1
16.	Oil Cooler Mount	KPPW0224	1
17.	Upper Oil Cooler Mount	KPPW0071	1
18.	Lower Oil Cooler Mount	KPPW0072	1
19.	3/8" Plain Clamp	AN742-D6	2
20.	Oil Tank *	----	0
21.	Hose Clamp - 6"	5-5288	2
22.	3/16" Stainless Steel Rivet - Cherry Q	CCPQ-64	4
23.	3/16" Shear Nut	AN364-1032A	2
24.	Safety Wire ****	----	0
25.	Medium Temperature Tubing	KSPW0069	2 ft
26.	10mm Loc Washer	945-753	1
27.	Oil Tank Mount Bracket	KPPW0297	1
28.	3/8" x .035 Aluminum Tube **	KAAC0042-11	0
29.	Spacer	KSHW0042	2
30.	8MM X 20MM Bolt	M8X20 BOLT	1
31.	5/16" Thick Washer	AN960-516	1
32.	90-Degree Fitting, Swivel	KSPW0139	2

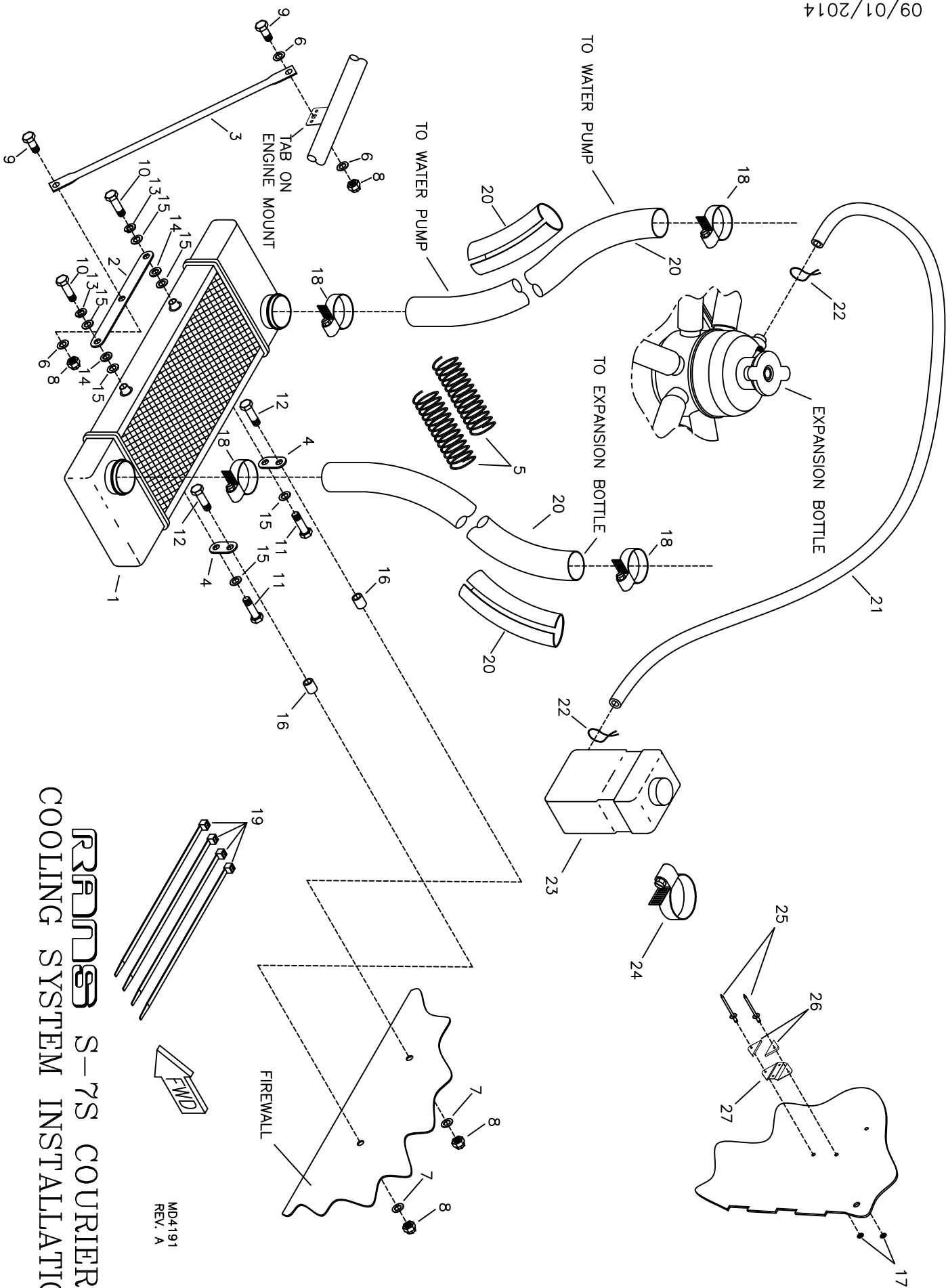
*Supplied with engine

**Builder fabricates from raw stock

Builder Modifies * Builder supplied

9/1/2014

REV. G



RPD S-7S COURIER
COOLING SYSTEM INSTALLATION

MD4191
 REV. A

S-7S COURIER - 912ULS COOLING SYSTEM INSTALLATION

#	DESCRIPTION	PART NUMBER	QUANTITY
1.	Radiator	KSPW0071	1
2.	Mount Bracket-Radiator	KPAC0174	1
3.	Radiator Support Tube	KPPW0301	1
4.	Multi-Hole Tang*	ST-16-FLAT	2
5.	Hose Spring	EGCS-HS	2
6.	3/16" Thin Washer	AN960-10L	3
7.	3/16" Thick Washer	AN960-10	2
8.	3/16" Shear Nut	AN364-1032A	4
9.	3/16" Bolt	AN3-3A	2
10.	6MM X 16MM Bolt	M6X16 BOLT	2
11.	6MM x 12MM Bolt	M6X12 BOLT	2
12.	3/16" Bolt	AN3-7A	2
13.	Loc Washer	AN935-416L	2
14.	1/4" Thick Washer	AN960-416	2
15.	1/4" Thin Washer	AN960-416L	6
16.	Aluminum Bushing, 3/8" x .095 x .31***	KAAC0042-9	0
17.	1/8" Small Brass Washer	AN960-B4	2
18.	Hose Clamp - 1-1/2"	5-5216	4
19.	Plastic Tie-7.5"	N-TIES	4
20.	Radiator Hose - 1"	RADIATOR HOSE	5 ft
21.	5/16" Overflow Hose	EGCS-OFH	24 in
22.	Safety Wire***	----	0
23.	Overflow Bottle	KSPW0072	1
24.	Hose Clamp	5-5256	1
25.	1/8" Stainless Steel Rivet - Cherry Q	CCPQ-44	2
26.	Spacer Shim-Mount Bracket	KPPW0230	1
27.	Mount Bracket-Coolant Recovery Bottle	KPPW0231	1

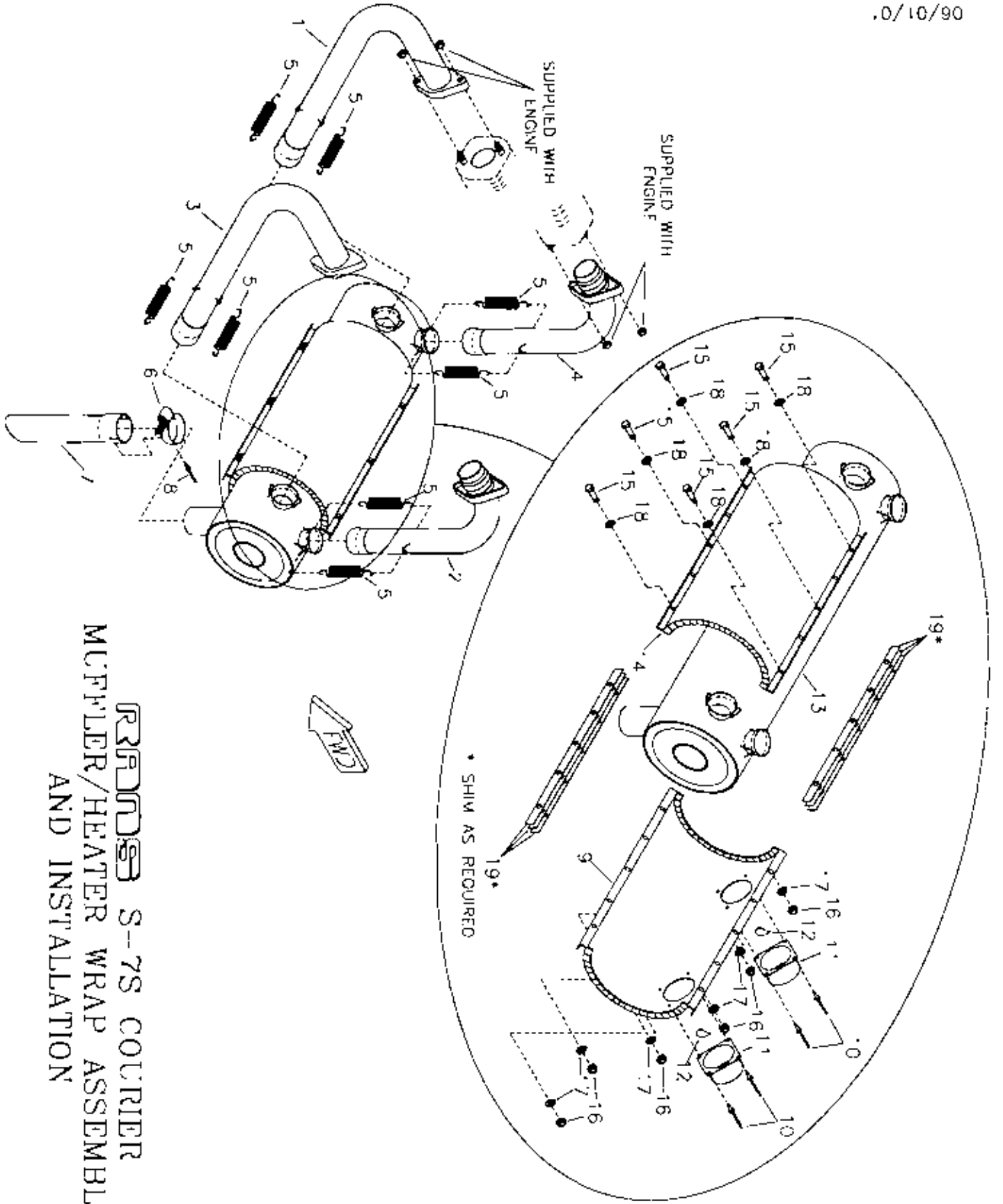
*Builder Modifies

**Builder fabricates from raw stock

***Builder Supplied

9/1/2014

REV. A

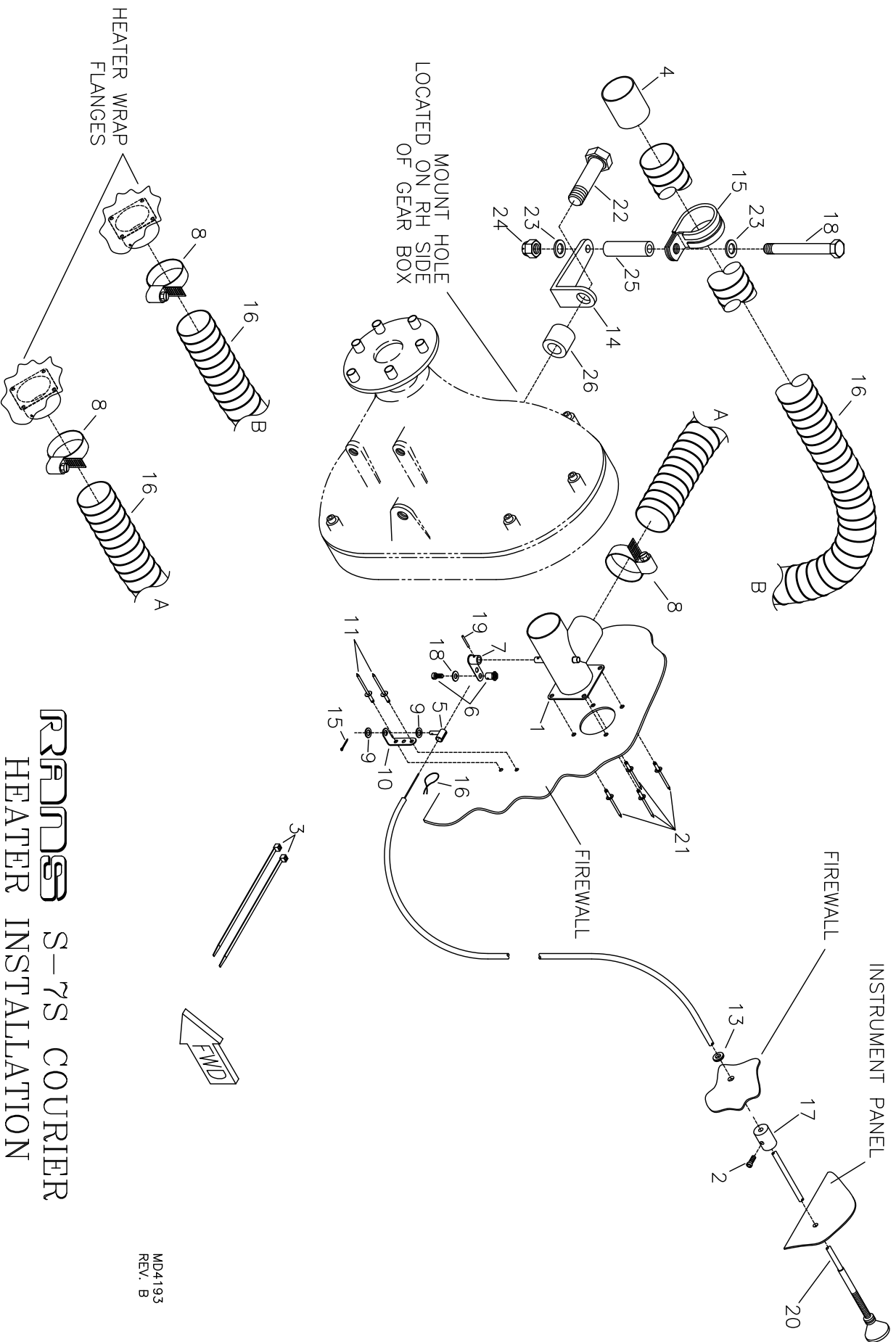


**FORD S-75 COURIER
MUFFLER/HEATER WRAP ASSEMBLY
AND INSTALLATION**

VOA192

#	DESCRIPTION	PART NUMBER	QUANTITY
1.	Right FWD Exhaust Manifold-Muffler	KAEX0015	1
2.	Left AFT Exhaust Manifold-Muffler	KAEX0016	1
3.	Left FWD Exhaust Manifold-Muffler	KAEX0017	1
4.	Right AFT Exhaust Manifold-Muffler	KAEX0018	1
5.	Muffler Spring	KSEX0002	8
6.	Hose Clamp	5-5220	1
7.	Muffler Extension	KPEX0056	1
8.	1/8" Stainless Steel Rivet - Cherry Q	CCPQ-44	1
9.	Heater Wrap-AFT	KPSY0049	1
10.	3/16" Stainless Steel Rivet - Cherry Q	CCPQ-62	8
11.	Heater Flange Assembly	KPSY0030	2
12.	Silicone Seal (Hi-Temp)*	-----	0
13.	Muffler Assembly	KAEX0019	1
14.	Heater Wrap-FWD	KPSY0050	1
15.	3/16" Bolt	AN3-4A	10
16.	3/16" Loc Nut - Steel	AN364-1032C	10
17.	3/16" Thick Washer	AN960-10	10
18.	3/16" Thin Washer	AN960-10L	10
19.	Shim-Heater Wrap	KPSY0051	6

*Builder Supplied



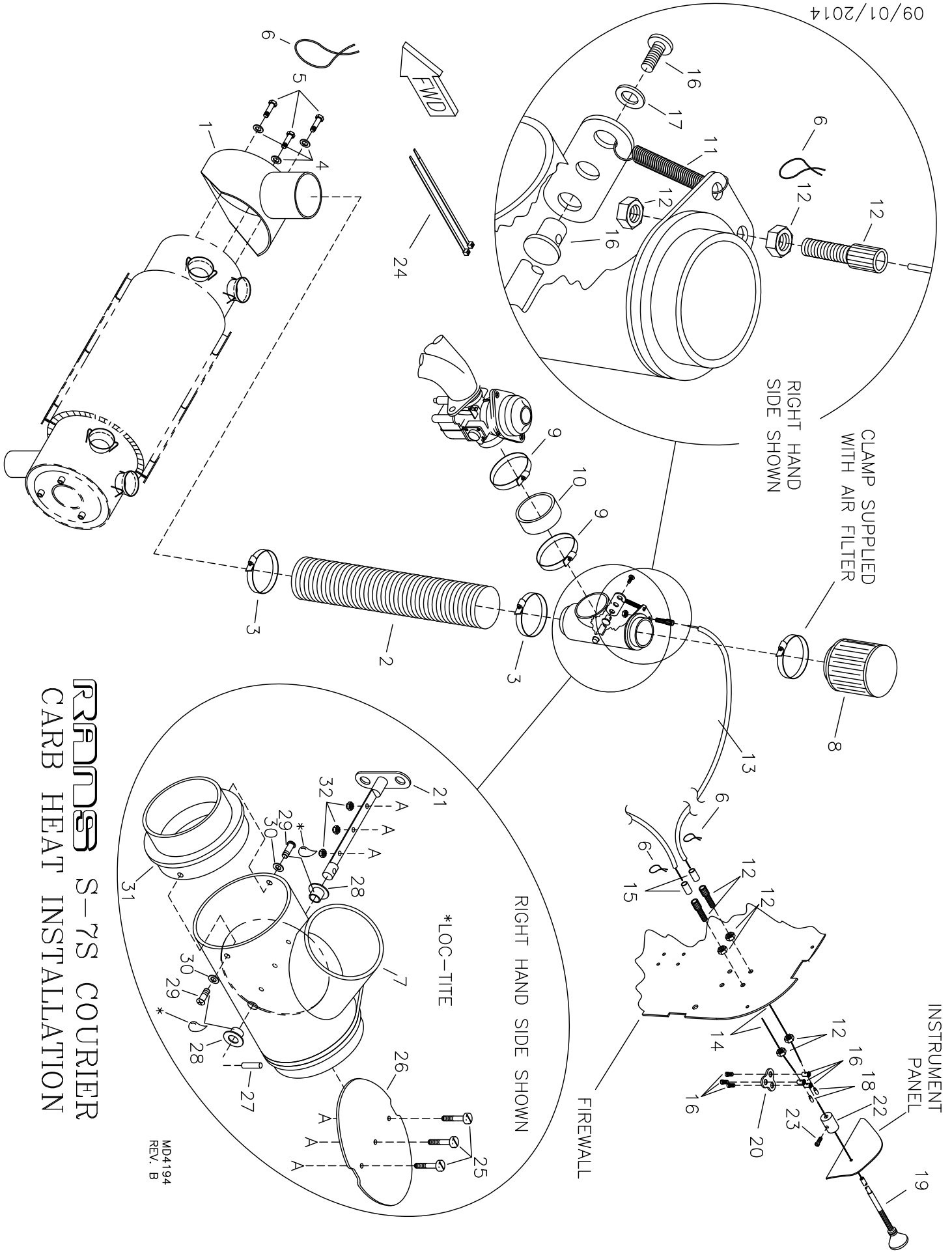
S-7S COURIER
HEATER INSTALLATION

MD4193
 REV. B

S-7S COURIER - 912ULS HEATER INSTALLATION

#	DESCRIPTION	PART NUMBER	QUANTITY
1.	Heater Valve	KASY0007	1
2.	Socket Head Cap Screw	T-SC	1
3.	Plastic Tie-7.5"	N-TIES	2
4.	Inlet Tube	KPSY0053	1
5.	Cable Housing Swivel Stop	KPBS0009	1
6.	Cable Swivel Stop	2361	1
7.	Flapper Arm - Air Diverter	KPSY0006	1
8.	Hose Clamp	5-5220	3
9.	1/4" Thick Washer	AN960-416	2
10.	Trim Tab Hinge	KPAC0004	1
11.	3/16" Stainless Steel Rivet - Cherry Q	CCPQ-62	2
12.	Small Cotter Pin	MS24665-134	1
13.	Grommet *	KSAC0002	0
14.	Angle Bracket	KPSY0016	1
15.	1-1/2" Cushioned Clamp	MS21919-WDG24	1
16.	Duct Hose	CREET HOSE	5 ft
17.	Cable Friction Block	T-STOP	1
18.	3/16" Bolt	AN3-22A	1
19.	#40 Roll Pin	T19-094-0625	1
20.	Control Cable	4-336	1
21.	3/16" Aluminum Rivet - Cherry Q	AAPQ-62	4
22.	10mm x 35mm Bolt	10MM X 35	1
23.	3/16" Thin Washer	AN960-10L	2
24.	3/16" Shear Nut	AN364-1032A	1
25.	Aluminum Bushing, 3/8" x .095 x 1.50	KPAC0060	1
26.	Heater Bracket Spacer	KPSY0073	1

* Referenced from Firewall Installation



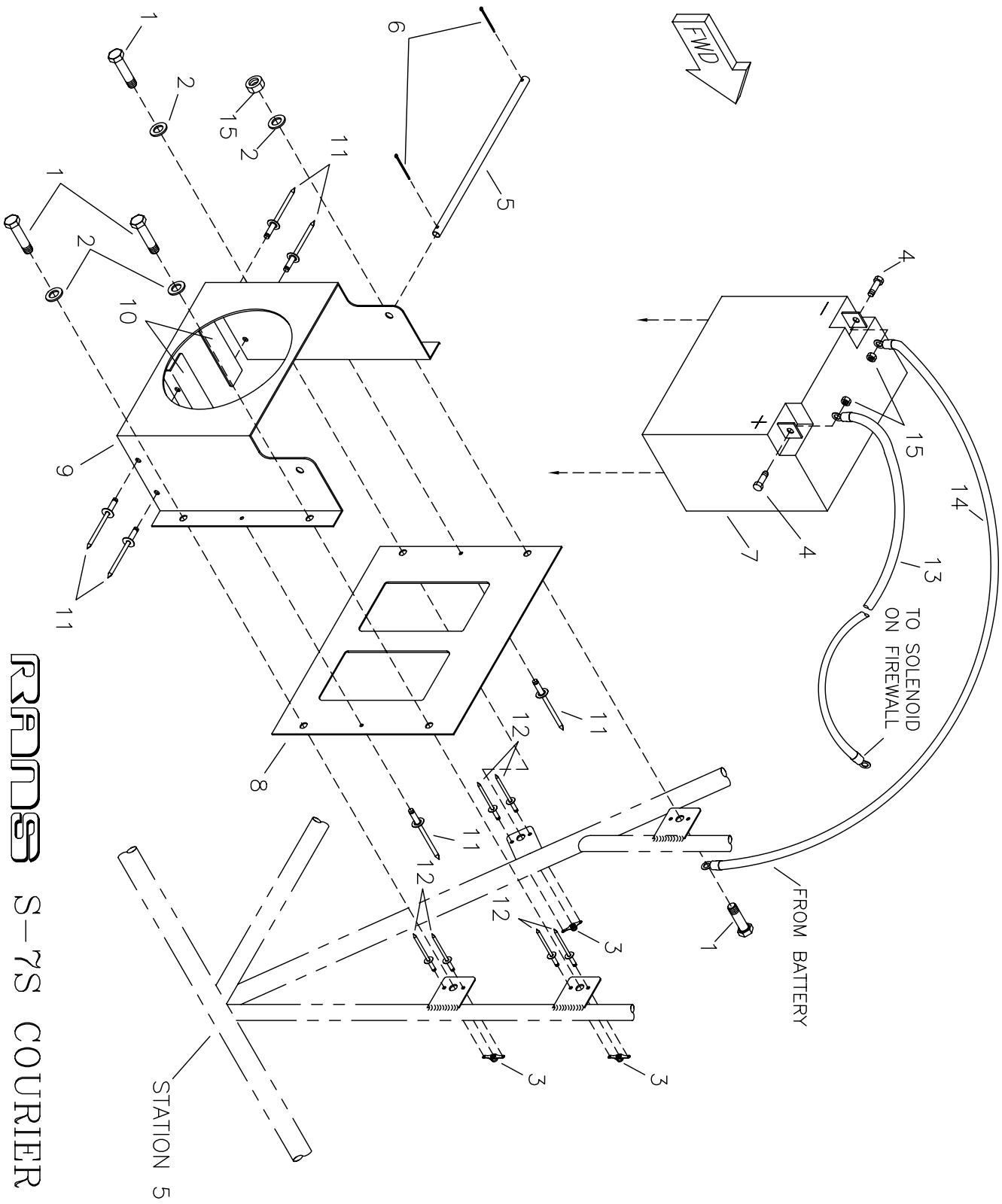
**RRR0000 S-7S COURIER
CARB HEAT INSTALLATION**

MD4194
REV. B

S-7S COURIER - 912ULS CARB HEAT INSTALLATION

#	DESCRIPTION	PART NUMBER	QUANTITY
1.	Heat Exchanger	KAPW0029	2
2.	Duct Hose	KPSY0046	2 ft
3.	Hose Clamp	5-5228	4
4.	3/16" Thick Washer	AN960-10	6
5.	3/16" Bolt - drilled head	AN3H-4A	6
6.	Safety Wire*	-----	0
7.	Carb Heat Body - LH	KAPW0065-L	1
7.	Carb Heat Body - RH	KAPW0065-R	1
8.	Air Filter	EG-AF-503/582	2
9.	Hose Clamp	5-5232	4
10.	Intake Hose	KPPW0306	2
11.	Spring	KSPW0074	2
12.	Adjuster Cable Ferrule	12553	4
13.	Cable Housing	EG-T-CAB-H	10 ft
14.	Throttle Cable	EG-T-CAB	2
15.	Cable Housing Endcap	ENDCAP-12000	4
16.	Cable Swivel Stop	2361	5
17.	1/4" Thin Washer	AN960-416L	2
18.	Cable End	BSCP0030	2
19.	Control Cable	4-336	1
20.	Mixer Plate	KPPW0076	1
21.	Valve Shaft	KAPW0032	2
22.	Cable Friction Block	T-STOP	1
23.	Socket Head Cap Screw	T-SC	1
24.	Plastic Tie-7.5"	N-TIES	2
25.	Screw	MS35265-15	6
26.	Carb Heat - Valve	KPPW0240	2
27.	1/8" x 1/2" Roll Pin	ROLL PIN 1/8X1/2	2
28.	Flange Bushing	KSAC0019-8	4
29.	5/16" Pan Head Machine Screw	MS35206-242	4
30.	5/16" Loc Washer	MS35338-42	4
31.	Carb Heat - Flange	KPPW0239	2
32.	Nut	MS21083N04	6

*Builder Supplied



RRRNDSS S-7S COURIER
BATTERY BOX ASSEMBLY AND INSTALLATION

MD4195
 REV. A

#	DESCRIPTION	PART NUMBER	QUANTITY
1.	3/16" Bolt	AN3-4A	4
2.	3/16" Thin Washer	AN960-10L	4
3.	3/16" Nut Plate	K-1000-3	3
4.	3/16" Bolt	AN3-3A	2
5.	Battery Bar	BAT-BAR-503/582	1
6.	Small Cotter Pin	MS24665-134	2
7.	Battery*	PS12150-NB	0
8.	Battery Box Mount Plate	BAT-BOX-2	1
9.	Battery Box Front Plate	BAT-BOX-1	1
10.	Battery Box Support Angle	BAT-BOX-3	2
11.	1/8" Stainless Steel Pop Rivet - Cherry Q	CCPQ-42	6
12.	3/32" Aluminum Pop Rivet	40APR1/8	6
13.	Battery / Solenoid Cable	KAES0005	1
14.	Battery / Ground Cable	KAES0004	1
15.	3/16" Shear Nut	AN364-1032A	3

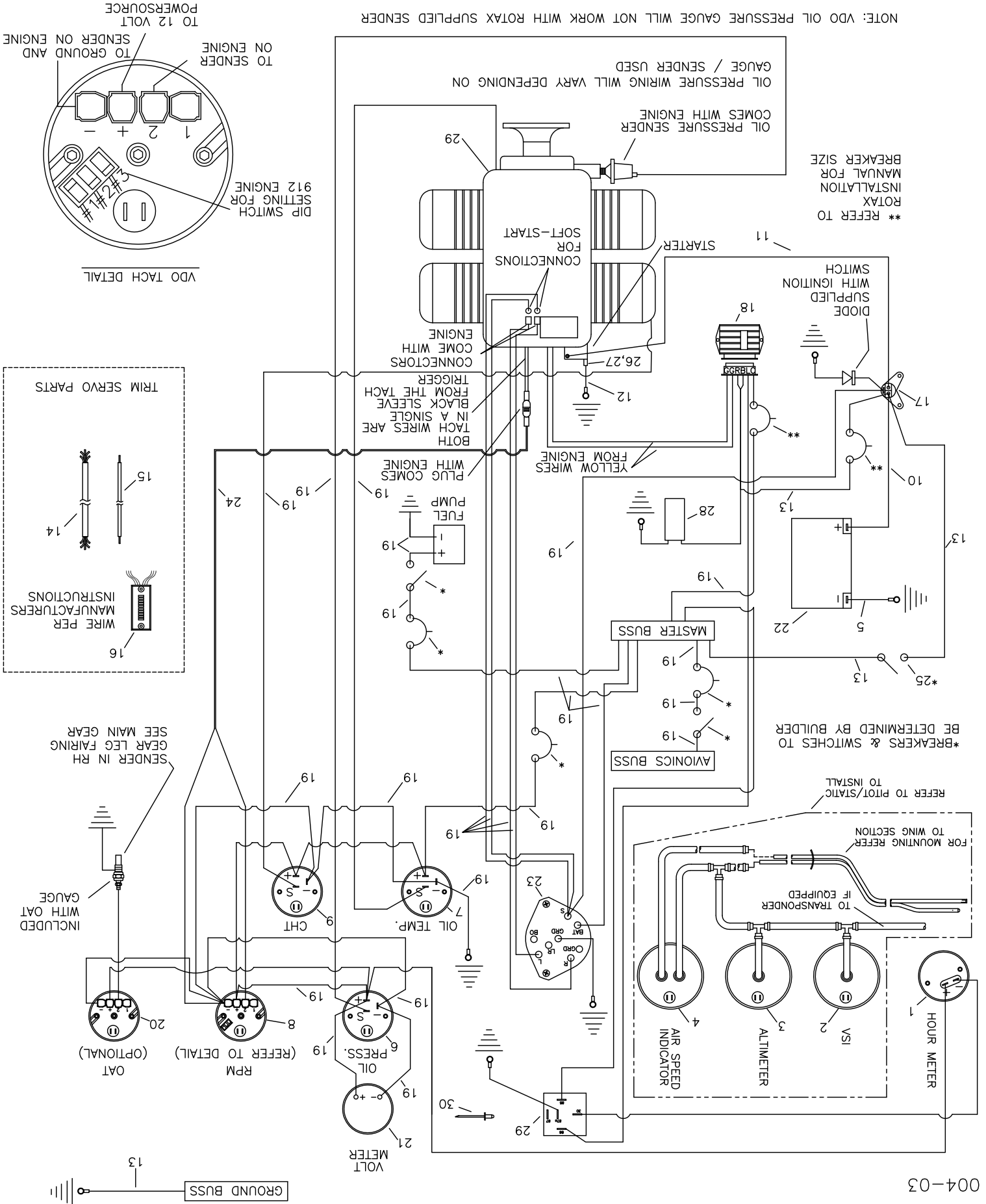
*May be purchased separately.

RRMS S-7S COURIER INSTRUMENTS AND ELECTRICAL

*** REFER TO 912S ENGINE

MD4196 REV. C

NOTE: VDO OIL PRESSURE GAUGE WILL NOT WORK WITH ROTAX SUPPLIED SENDER



GROUND BUSS

S-7S COURIER - INSTRUMENTS & ELECTRICAL

#	DESCRIPTION	PART NUMBER	QUANTITY
1.	Hour Meter - VDO*	KSPW0022	0
2.	Vertical Speed Indicator - Feet per Minute*	KSAV0008	0
3.	Altimeter*	KSAV0001	0
4.	Air Speed Indicator*	KSAV0017	0
5.	Battery/Ground Cable***	-----	0
6.	Oil Pressure Gauge*	-----	0
7.	Oil Temperature Gauge - VDO**	KSPW0017	0
8.	RPM Gauge - VDO*	KSPW0028	0
9.	Cylinder Head Temperature Gauge - VDO* **	KSPW0017	0
10.	Battery/Solenoid Cable***	-----	0
11.	Solenoid/Starter Cable	KAES0003	1
12.	Starter/Ground Cable	KAES0007	1
13.	12 Gauge Wire*	-----	0
14.	5 Wire Bundle - 26 Gauge Wire	KSES0022	26 ft
15.	20 Gauge Wire*	-----	0
16.	Trim Position Indicator*****	-----	0
17.	Solenoid ****	-----	0
18.	Regulator/Rectifier ****	-----	0
19.	14 Gauge Wire*	-----	0
20.	Outside Air Temperature Gauge Kit - VDO*	KSIP0009	0
21.	Voltmeter - VDO*	KSES0009	0
22.	Battery, 912***	-----	0
23.	Ignition Switch	KSES0027	1
24.	2 Plex - 20 Gauge Wire*	-----	0
25.	Master Switch*	-----	0
26.	1/4" Bolt	AN4-10A	1
27.	1/4" Steel Shear Nut	AN364-428C	1
28.	Capacitor - 22,000 microFarad / 25v *	-----	0
29.	Hour Meter Relay Assembly *, *****	KAES0016	0
30.	3/16" Aluminum Rivet - Cherry Q	AAPQ-62	1

*Optional or Builder supplied **Oil Temperature & CHT use the same type of gauge.

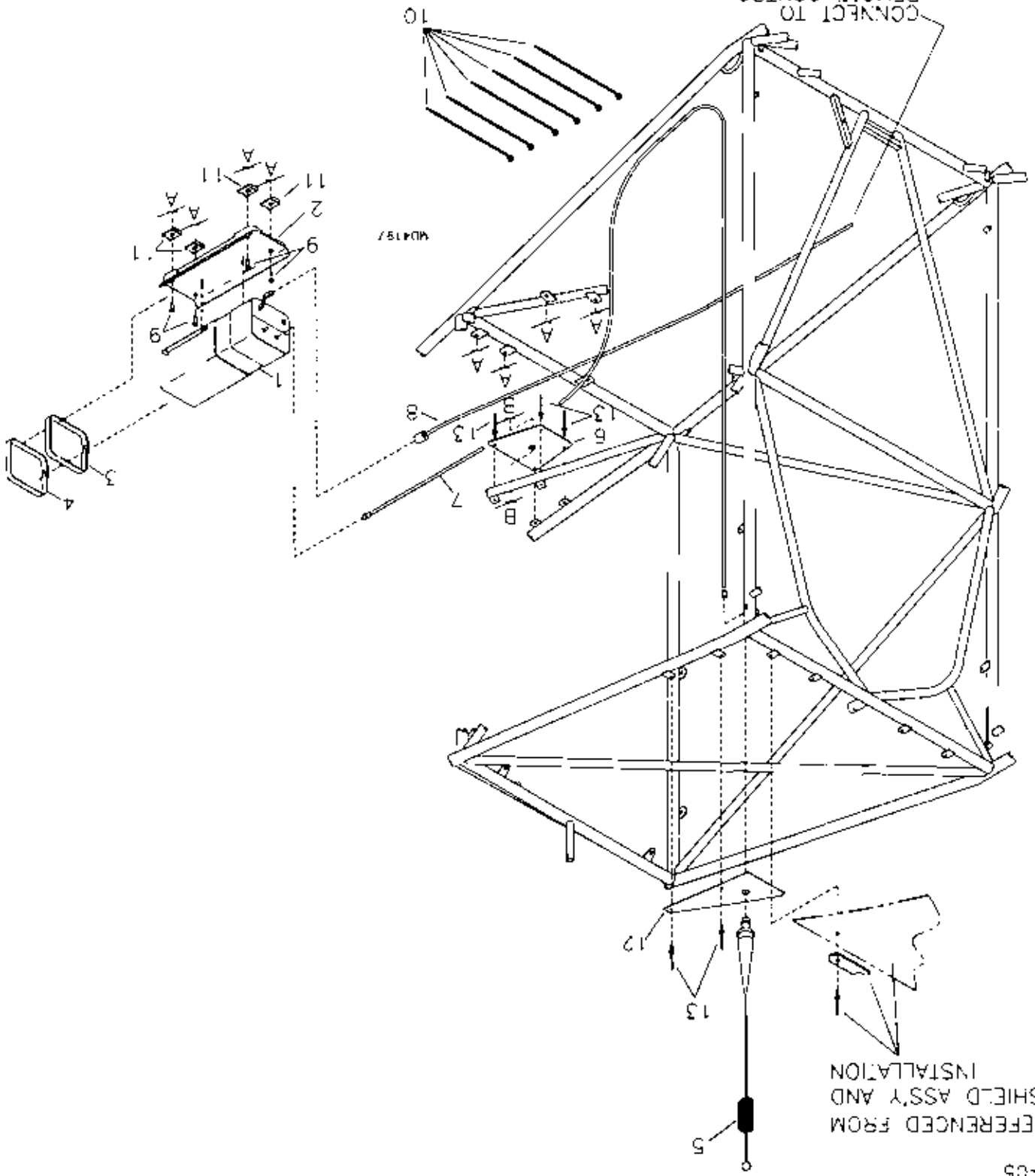
Referenced from 912 Battery Box Installation. *Supplied with engine.

*****Reference MacServo Kit. ***** Required if Non-Digital Panel or separate Hour Meter installed

1/21/2010

RRORS S-7S COURIER EMERGENCY LOCATOR TRANSPONDER & COMMUNICATION ANTENNA INSTALLATION

CONNECT TO
REMOTE CONTROL
IF SO EQUIPPED



REFERENCED FROM
WINDSHIELD ASSY AND
INSTALLATION

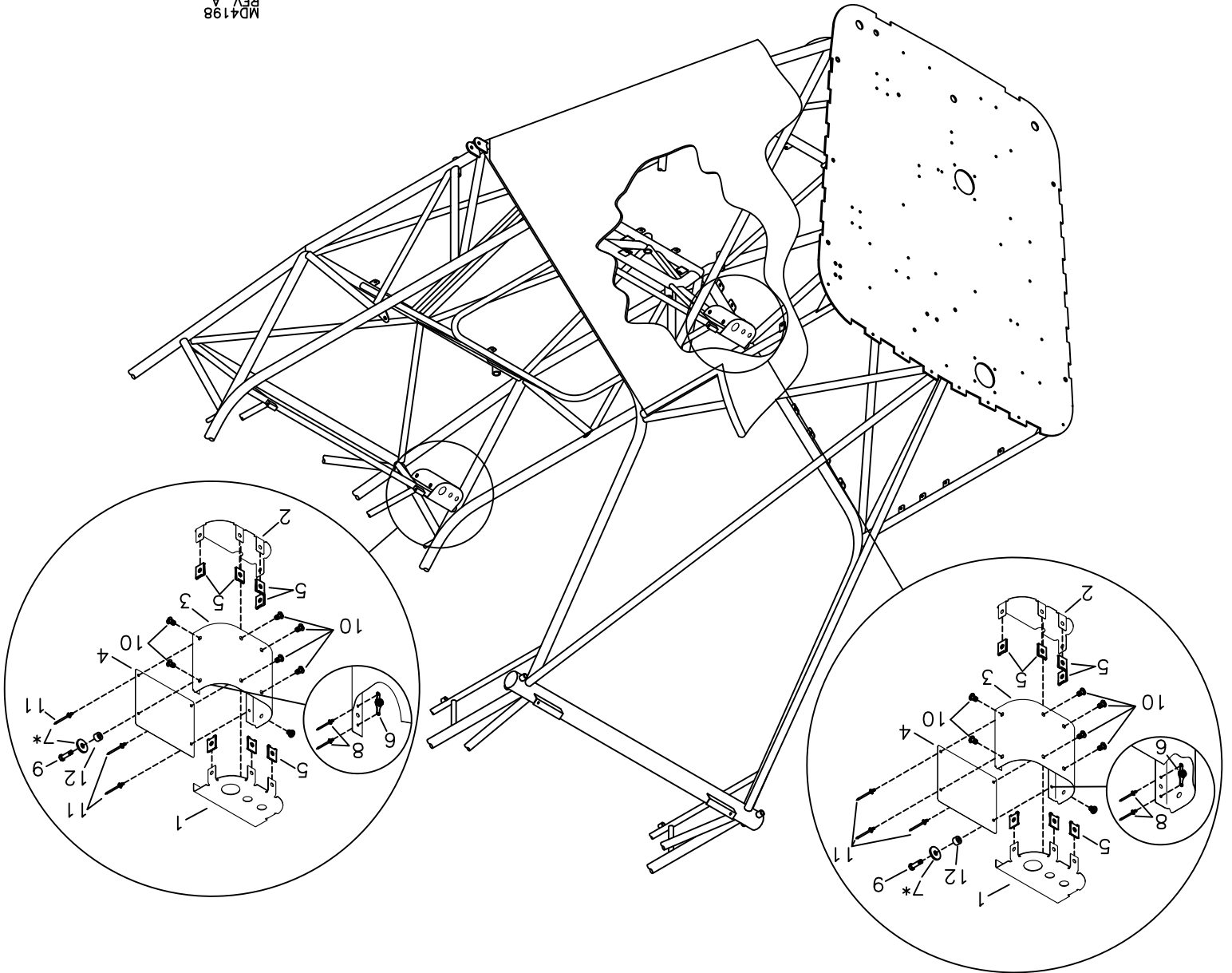
#	DESCRIPTION	PART NUMBER	QUANTITY
1.	ELT-Battery Case *	KSES0025-1	0
2.	ELT-Mount Tray *	KSES0025-3	0
3.	ELT-Front Strap *	KSES0025-4	0
4.	ELT-Battery Strap *	KSES0025-5	0
5.	ELT-External Antenna *	KSES0025-6	0
6.	Antenna Backing Plate - COMM	KPAV0012	1
7.	ELT-Antenna Unit *	KSES0025-9	0
8.	ELT-Connecting Cable *	KSES0025-10	0
9.	Pan Head Machine Screw	MS35206-228	4
10.	Plastic Tie-7.5"	N-TIES	6
11.	Tinnerman	LHA4972-5-62	4
12.	ELT-Antenna Mount Plate	KPAV0011	1
13.	1/8" Stainless Steel Rivet - Cherry Q	CCPQ-42	6

*Supplied with ELT.

3/5/2004

RRMS S-7S COURIER HEADSET JACK & 12V MOUNT BOX INSTALLATION

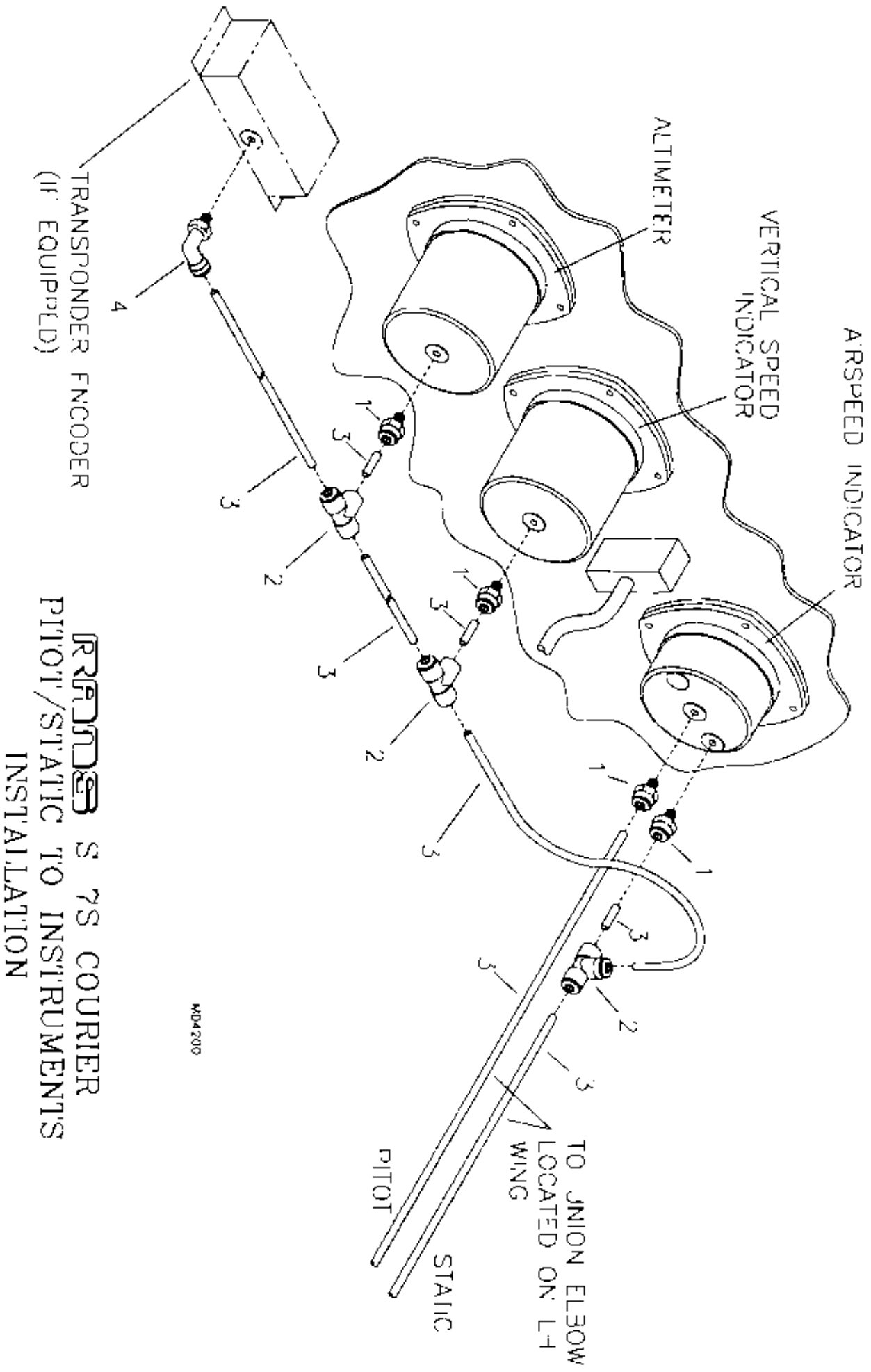
MD4198
REV. A



* PW-3 CAPTURES BACKSIDE OF FUSELAGE TUBE

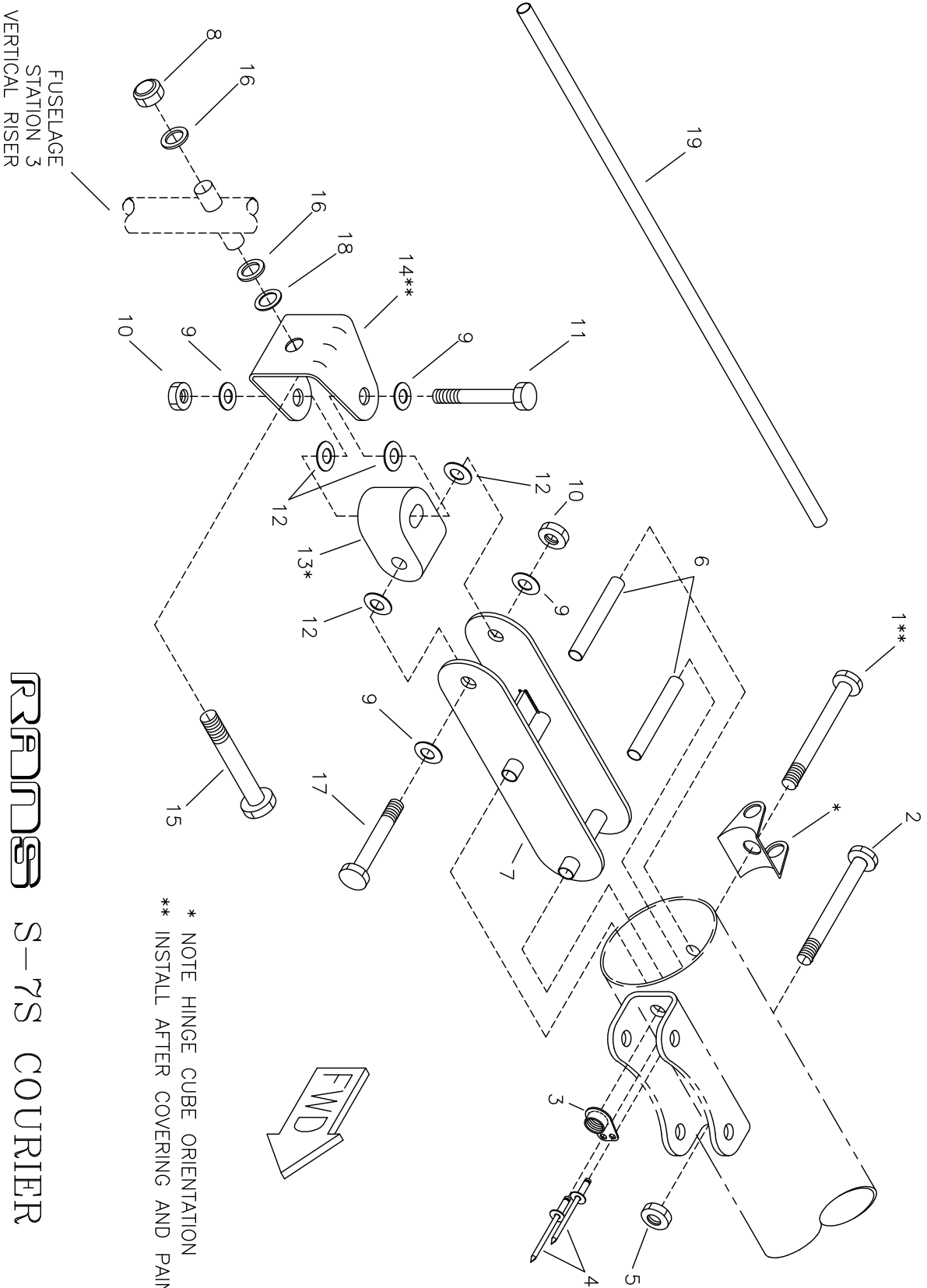
S-7S COURIER - HEADSET JACK AND 12V MOUNT BOX INSTALLATION

#	DESCRIPTION	PART NUMBER	QUANTITY
1.	Top Plate	KPAV0030	2
2.	Bottom Plate	KPAV0031	2
3.	Forward Casing	KPAV0032	2
4.	Back Plate	KPAV0033	2
5.	Tinnerman	A1789-8Z-1	16
6.	3/16" Nut Plate	K-1000-3	2
7.	3/16" Plastic Washer	PW-3	2
8.	3/32" Aluminum Rivet	40APR1/8	4
9.	3/16" Truss Head Screw	AN526-C1032-R12	2
10.	#8 Pan Head Screw	8X1/2 PHS	16
11.	1/8" Aluminum Rivet - Avex	1691-0410	6
12.	Spacer	KSHW0042	2



MD4200

#	DESCRIPTION	PART NUMBER	QUANTITY
1.	Male Connector	KSPT0002	4
2.	Union Tee	KSPT0003	3
3.	Pitot/Static Tubing	KSPT0004	0
4.	90 Degree Elbow	KSPT0006	1



* NOTE HINGE CUBE ORIENTATION
 ** INSTALL AFTER COVERING AND PAINTING

RRRINDS S-7S COURIER
 WING - UNIVERSAL HINGE

MD4201
 REV. B

S-7S COURIER - WING - UNIVERSAL HINGE

#	DESCRIPTION	PART NUMBER	QUANTITY
1.	3/16" Bolt * **	AN3-24A	0
2.	3/16" Bolt *	AN3-23A	0
3.	Side By Side Nut Plate *	MS21086-L3	0
4.	3/32" Aluminum Rivet *	40APR3/8	0
5.	3/16" Shear Nut *	AN364-1032A	0
6.	Spacer Bushing, 1/4" x .028 x 1 7/8" ***	KPWI0613	0
7.	Trailing Edge Spar Root Fitting Assembly	W-TES-RF	2
8.	5/16" Tensile Nut	AN365-524A	2
9.	1/4" Thick Washer	AN960-416	8
10.	1/4" Shear Nut	AN364-428A	4
11.	1/4" Bolt	AN4-16A	2
12.	1/4" Thin Washer	AN960-416L	8
13.	Hinge Cube	KPWI0520	2
14.	1" U-Bracket **	SU-118	2
15.	5/16" Bolt	AN5-16A	2
16.	5/16" Thick Washer	AN960-516	4
17.	1/4" Bolt	AN4-15A	2
18.	5/16" Thin Washer	AN960-516L	2
19.	1/4" Bushing Material - Wing	KPWI0613	1

*Referenced from Wing - Main Structure.

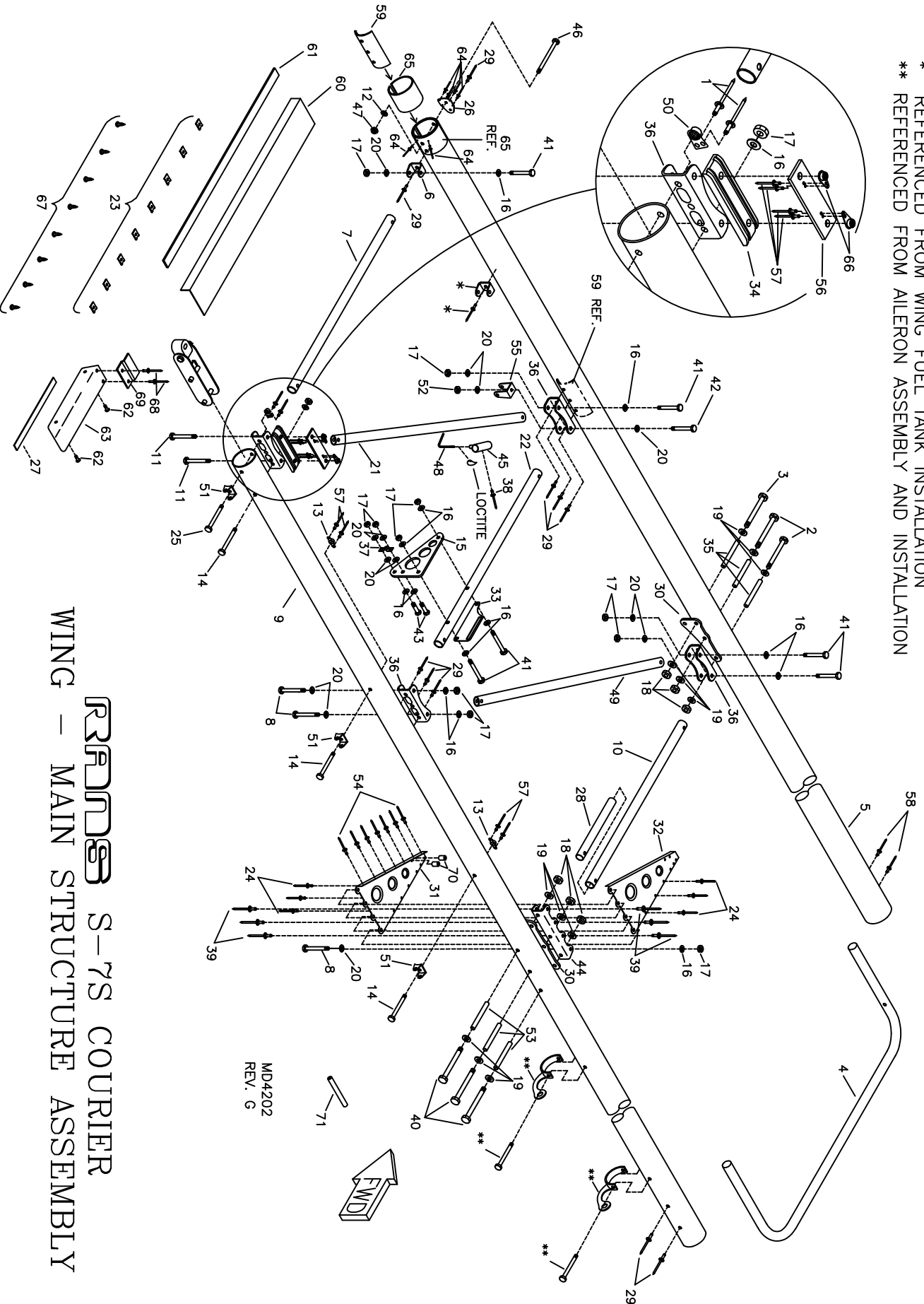
**Installed post covering and painting.

***Builder fabricates from KPWI0613 raw stock

2/23/2016

REV. B

* REFERENCED FROM WING FUEL TANK INSTALLATION
** REFERENCED FROM ALERON ASSEMBLY AND INSTALLATION



RRRNDSS S-75 COURIER
WING - MAIN STRUCTURE ASSEMBLY

MD4202
 REV. G

S-7S COURIER - WING - MAIN STRUCTURE ASSEMBLY

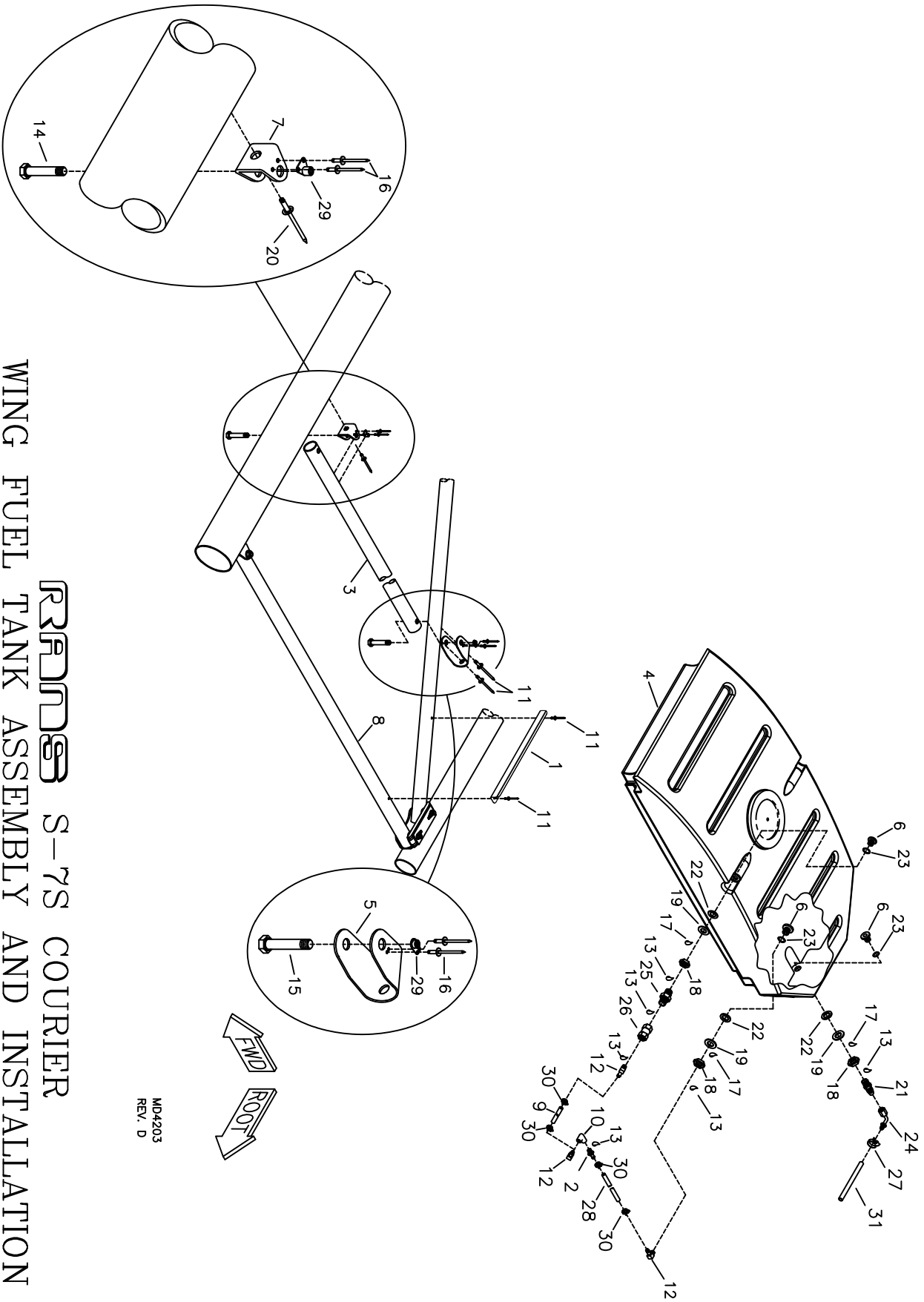
#	DESCRIPTION	PART NUMBER	QUANTITY
1.	3/32" Aluminum Rivet	40APR3/8	4
2.	1/4" Bolt	AN4-36A	4
3.	1/4" Bolt	AN4-35A	2
4.	Tip Bow	KPWI0377	2
5.	Leading Edge Spar - RH	KPWI0579-R	1
5.	Leading Edge Spar - LH	KPWI0579-L	1
6.	U-Bracket	S2-SAB	2
7.	Inner/Outer Compression Tube	WC-IO	2
8.	3/16" Bolt	AN3-14A	4
9.	Trailing Edge Spar - RH	KPWI0580-R	1
9.	Trailing Edge Spar - LH	KPWI0580-L	1
10.	Compression Tube	KPWI0588	2
11.	3/16" Bolt	AN3-20A	4
12.	3/8" Thick Washer	AN960-616	2
13.	3/16" Nut Plate	K-1000-3	4
14.	3/16" Bolt	AN3-23A	6
15.	Teleflex Retainer	TG-EH	2
16.	3/16" Thin Washer	AN960-10L	28
17.	3/16" Shear Nut	AN364-1032A	24
18.	1/4" Shear Nut	AN364-428A	12
19.	1/4" Thin Washer	AN960-416L	24
20.	3/16" Thick Washer	AN960-10	26
21.	Drag Brace	KPWI0374	2
22.	Compression Tube	KPWI0376	2
23.	Tinnerman	A1789-8Z-1	16
24.	1/8" Aluminum Rivet - Cherry Q	AAPQ-44	12
25.	3/16" Bolt	AN3-24A	2
26.	Leading Edge Patch	KPWI0356	2
27.	Foam Strip, 1/4" x 1/2"	FS-1/4"x1/2"	2 ft
28.	Compression Tube Doublor	KPWI0353	2
29.	3/16" Stainless Steel Rivet - Cherry Q	CCPQ-64	20
30.	Strut Attach Plate	W-SAP	4
31.	Bell Crank Brace-Control System	KPCS0211	2
32.	Bell Crank Brace-Control System	KPCS0212	2
33.	Cable Guide	CS-OCG	2
34.	Aileron Cable Rub Block - LH	KPCS0091-L	1
34.	Aileron Cable Rub Block - RH	KPCS0091-R	1
35.	Spacer Bushing	SB-3/8X3	6
36.	Long Wing Channel	W-WCL	8
37.	Teleflex Retainer Bracket	KSCS0001	2
38.	1/8" Stainless Steel Rivet - Cherry Q	CCPQ-42	2
39.	3/16" Aluminum Rivet - Cherry Q	AAPQ-62	12
40.	1/4" Bolt	AN4-26A	6
41.	3/16" Bolt	AN3-15A	12

S-7S COURIER - WING - MAIN STRUCTURE ASSEMBLY - CONTINUED

#	DESCRIPTION	PART NUMBER	QUANTITY
42.	3/16" Bolt	AN3-16A	2
43.	3/16" Bolt	AN3-5A	4
44.	U-Bracket	KPCS0213	2
45.	Door Upcatch Socket	D-UCS	2
46.	3/8" Bolt	AN6-35A	2
47.	3/8" Tensile Nut	AN365-624A	2
48.	Door Upcatch	KPDR0043	2
49.	Drag Brace	KPWI0375	2
50.	3/16" Side by Side Nut Plate	MS21086-L3	2
51.	Wing Hinge Bracket	W-HB	6
52.	3/16" Tensile Nut	AN365-1032A	2
53.	Spacer Bushing	SB-3/8X2	6
54.	1/8" Aluminum Rivet - Cherry Q	AAPQ-42	14
55.	Folding Jury Strut Bracket	JS-BK	2
56.	Top Plate - Rub Block	KPCS0092	2
57.	3/32" Aluminum Rivet	40APR1/4	16
58.	3/16" Stainless Steel Rivet - Cherry Q	CCPQ-62	4
59.	Leading Edge Spar Doubler	KPWI0264	2
60.	Wing Root Bottom Gap Seal - RH	KPWI0587-R	1
60.	Wing Root Bottom Gap Seal - LH	KPWI0587-L	1
61.	1/2" Black Foam Tape	KSAC0021	9 ft
62.	#6 Pan Head Screw	6RX1/2 PHS	4
63.	Fillet - Flap - RH	KPFL0140-R	1
63.	Fillet - Flap - LH	KPFL0140-L	1
64.	1/8" Stainless Steel Rivet - Cherry Q	CCPQ-44	12
65.	Leading Edge Spar Root Doubler	KPWI0355	2
66.	3/16" Single-Ear Nut Plate	MS21051-L3	4
67.	#8 Pan Head Screw	8X1/2 PHS	16
68.	1/8" Aluminum Rivet - Avex	1691-0410	4
69.	Flap Fillet Attach Strip*	KPFL0141	1
70.	Bushing - Bellcrank Brace - 3/8" x .095" x 1"	KPWI0620	0
71.	Bushing - Bellcrank Brace Rawstock *	KPWI0620	1

* Builder modifies

RRRND S-75 COURIER WING FUEL TANK ASSEMBLY AND INSTALLATION



MD4203
REV. D

S-7S COURIER - WING - FUEL TANK ASSEMBLY & INSTALLATION

#	DESCRIPTION	PART NUMBER	QUANTITY
1.	Fuel Tank Retainer Angle - LH	KPFS0105-L	1
1.	Fuel Tank Retainer Angle - RH	KPFS0105-R	1
2.	Straight Withdrawal Fitting	8330	2
3.	Outer Tank Support	KPFS0040	2
4.	Fuel Tank	KPFS0092	2
5.	U Bracket	KPAC0055	2
6.	1/2" Tank Withdrawal Fitting - LH Thread	KPFS00117	6
7.	U-Bracket	S2-SAB	2
8.	Inner Compression Tube *	WC-IO	0
9.	Clear Fuel Line - 1/4"	KSFS0008	18 in
10.	Elbow - Internal Thread	AN916-1D	2
11.	1/8" Stainless Steel Rivet - Cherry Q	CCPQ-42	8
12.	90 Degree Withdrawal Fitting	8342	6
13.	Thread Sealant **	----	0
14.	3/16" Bolt	AN3-14A	2
15.	3/16" Bolt	AN3-13A	2
16.	3/32" Aluminum Rivet	40APR1/8	8
17.	Loctite Blue **	----	0
18.	Nut - 1/2" Bulkhead - LH Thread	KPFS0118	6
19.	1/2" Thick Washer	AN960-816	6
20.	3/16" Stainless Steel Rivet - Cherry Q	CCPQ-64	2
21.	Straight Fitting	AN816-6-2D	2
22.	Rubber Washer	KSFS0010	6
23.	O-Ring	KSFS0009	6
24.	45 Degree Fitting	33782-6-6	2
25.	1/8" NPT Nipple	KSAC0032	2
26.	Coupler	AN910-1D	2
27.	Hose Clamp	5-6203	2
28.	Black Fuel Line - 1/4"	KSFS0002	3 ft
29.	3/16" Side by Side Nut Plate	MS21086-L3	4
30.	Hose Clamp	5-6202	8
31.	Black Fuel Line - 3/8"	27004	11 ft

*Referenced from Wing - Main Structure.

**Builder Supplied

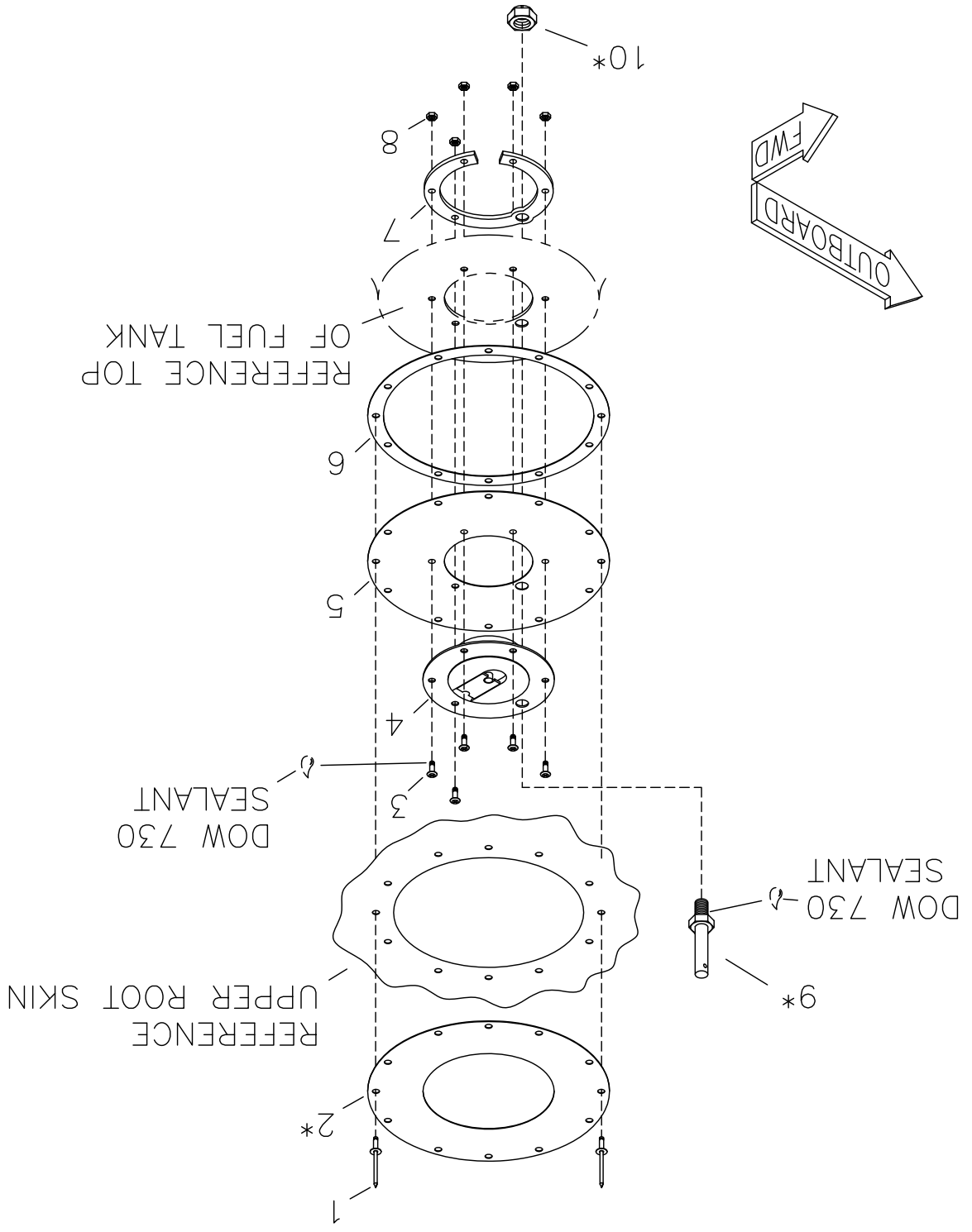
9/1/2014

REV. D

RRMS S-75 COURIER FUEL CAP ASSEMBLY

MD5543
REV. B

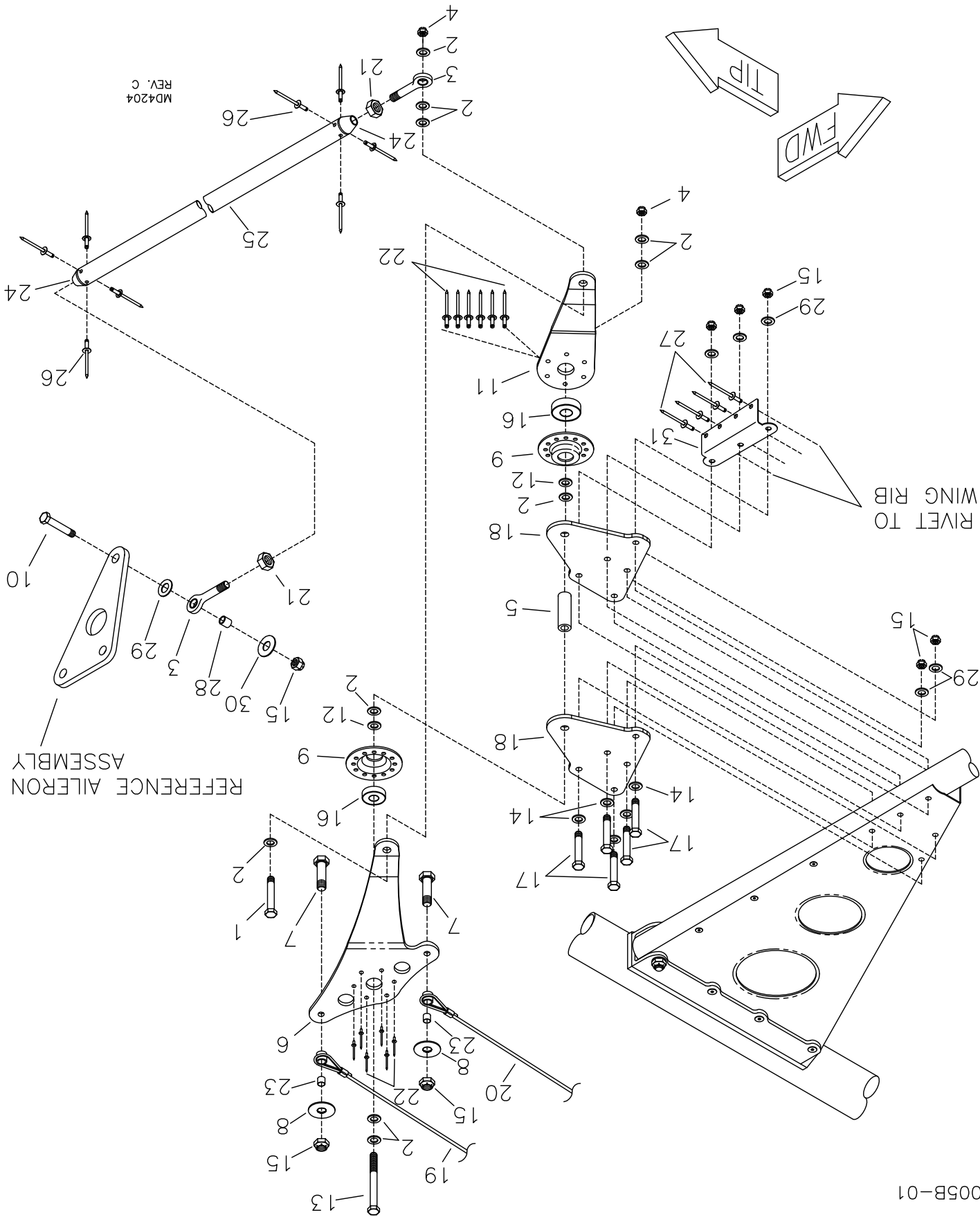
* INSTALL AFTER COVERING



S-7S COURIER - WING - FUEL CAP ASSEMBLY

#	DESCRIPTION	PART NUMBER	QUANTITY
1.	1/8" Aluminum Rivet - Avex	1691-0410	24
2.	Cover Ring	KPWI0616	2
3.	3/16" Countersunk Machine Screw	MS24694-S53	10
4.	Fuel Cap Assembly - Flush	KSFS0035	2
5.	Fuel Scupper	KPWI0615	2
6.	Capture Ring	KPWI0547	2
7.	Retainer	KPWI0614	2
8.	3/16" Shear Nut - Steel	AN364-1032C	10
9.	Fuel Vent	KPFS0101	2
10.	3/8" Shear Nut	AN364-624A	2

RMS S-7S COURIER AILERON BELL CRANK AND CABLE INSTALLATION - WING



S-7S COURIER - WING - AILERON BELL CRANK AND CABLE INSTALLATION

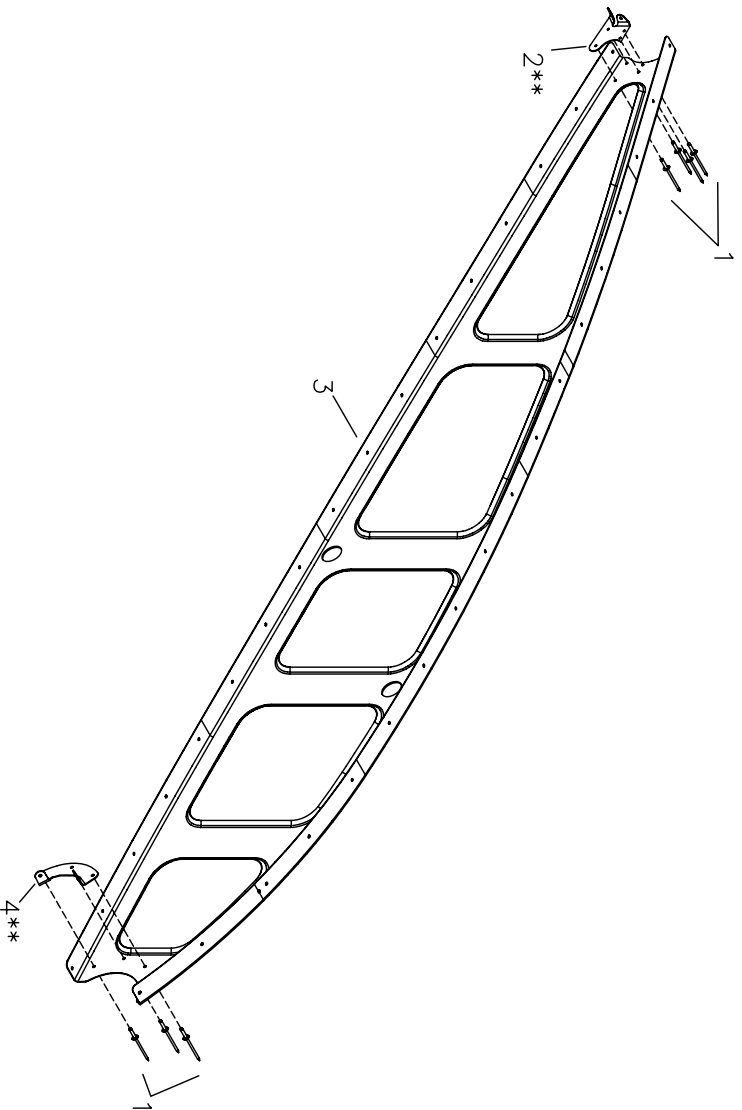
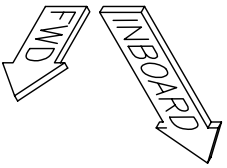
#	DESCRIPTION	PART NUMBER	QUANTITY
1.	1/4" Bolt	AN4-12A	2
2.	1/4" Thick Washer	AN960-416	20
3.	Male Rod End	NM-4	4
4.	1/4" Shear Nut	AN364-428A	4
5.	Bushing - 3/8" x .058" x 1.06" *	SB-3/8X3	1
6.	Bell Crank Upper Arm - LH	KPCS0290-L	1
6.	Bell Crank Upper Arm - RH	KPCS0290-R	1
7.	3/16" Bolt	AN3-6A	4
8.	3/16" Large Washer	AN970-3	4
9.	Bearing Flange	BR-FLNG	4
10.	3/16" Bolt	AN3-7A	2
11.	Bell Crank Lower Arm	KPCS0291	2
12.	1/4" Thin Washer	AN960-416L	4
13.	1/4" Bolt	AN4-24A	2
14.	3/16" Thin Washer	AN960-10L	10
15.	3/16" Shear Nut	AN364-1032A	18
16.	Bearing	SR4APP	4
17.	3/16" Bolt	AN3-16A	10
18.	Bell Crank Mount	KPCS0292	4
19.	Aileron Link Cable	KPCS0219	2
20.	Aileron Cable	KACS0035	2
21.	1/4" Plain Nut	AN345-416	4
22.	1/8" Aluminum Rivet - Cherry Q	AAPQ-44	24
23.	Bushing - Aileron	KPAC0182	4
24.	3/4" Push-Pull Tube End Fitting	CS-3/4PTEF	4
25.	Push-Pull Tube - Aileron	KPCS0218	2
26.	1/8" Stainless Steel Rivet - Cherry Q	CCPQ-42	16
27.	1/8" Aluminum Rivet - Avex	1691-0410	8
28.	Bushing, 1/4" x .028 x 3/8" **	KPWI0613	0
29.	3/16" Thick Washer	AN960-10	12
30.	#10 SS Washer	BSHW0022	2
31.	Rib Reinforcement - Bellcrank - LH	KPWI0552-L	1
31.	Rib Reinforcement - Bellcrank - RH	KPWI0552-R	1

* Builder fabricates from SB-3/8X3

** Builder fabricates from KPWI0613 raw stock

7/30/2015

REV. B



* RIB FOR RH WING SHOWN
RIB FOR LH WING IS A MIRROR IMAGE

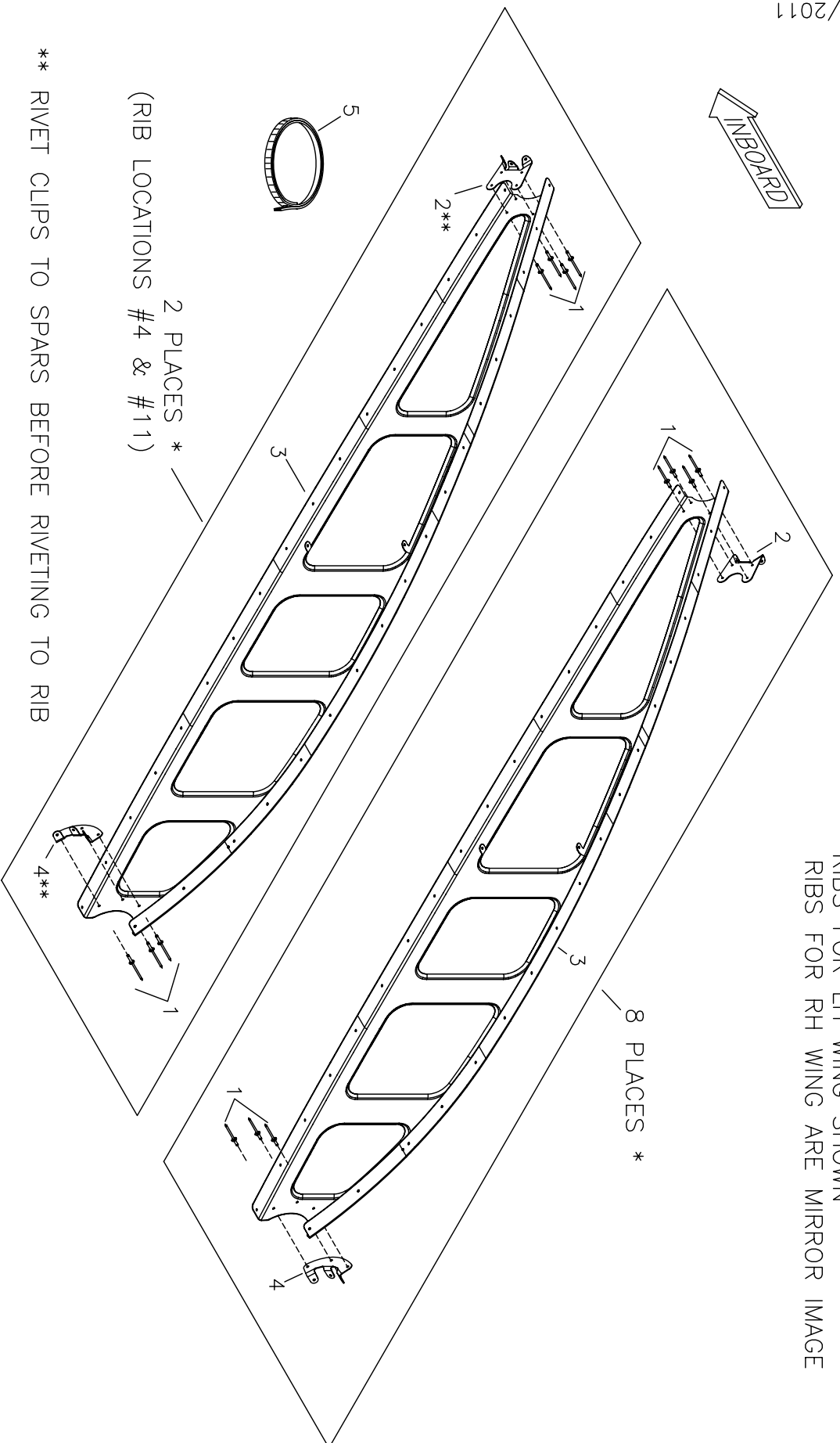
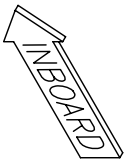
** BUILDER MODIFIES

RRR-7S COURIER WING - ROOT RIB ASSEMBLY

MDS541

#	DESCRIPTION	PART NUMBER	QUANTITY
1.	1/8" Aluminum Rivet - Cherry Q	AAPQ-41	14
2.	Rib Attach Clip - AFT *	KPWI0460	2
3.	Root Rib - RH	KPWI0571-R	1
3.	Root Rib - LH	KPWI0571-L	1
4.	Rib Attach Clip - FWD *	KPWI0459	2

*Builder modifies



* RIBS FOR LH WING SHOWN
 RIBS FOR RH WING ARE MIRROR IMAGE

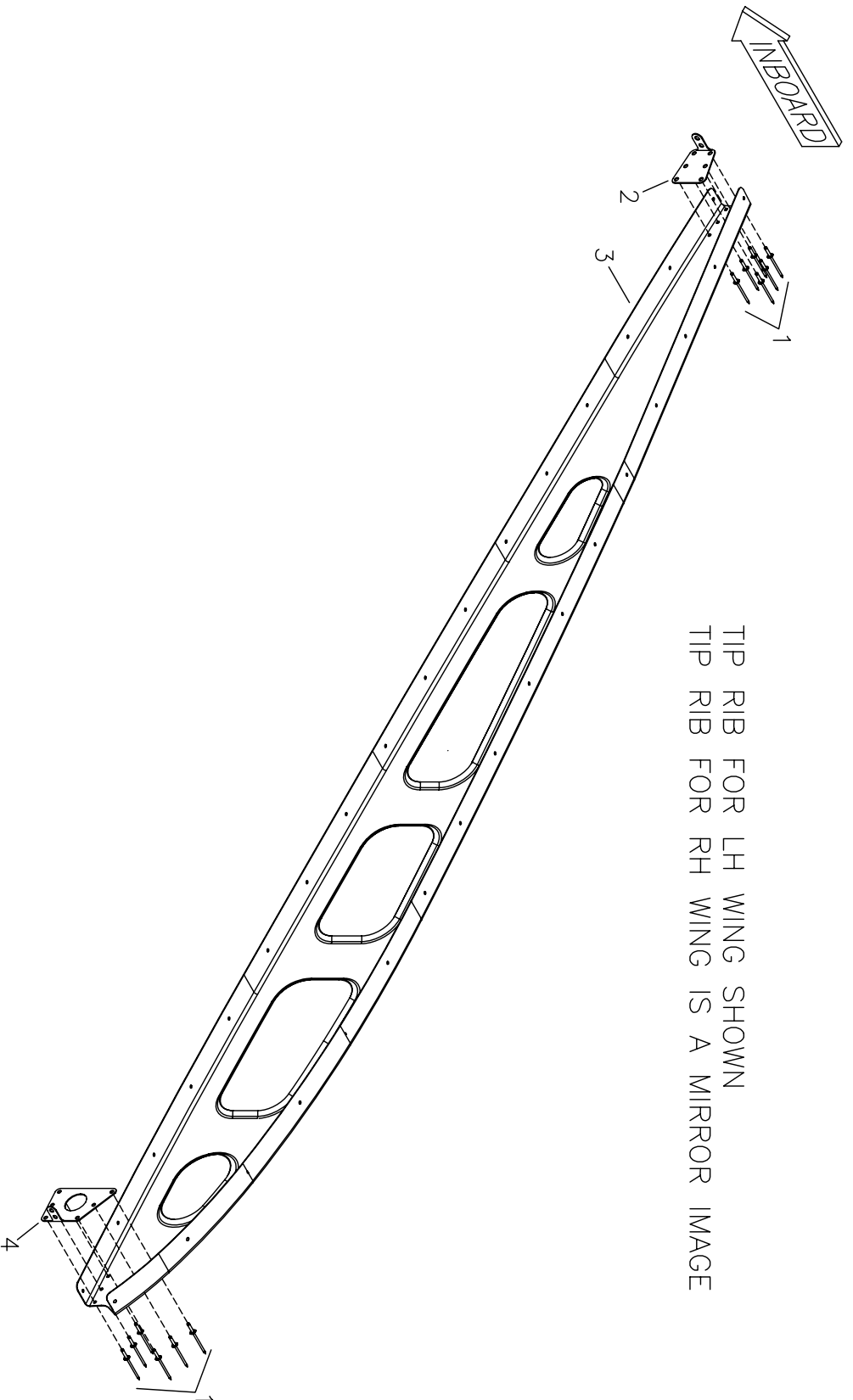
8 PLACES *

2 PLACES *
 (RIB LOCATIONS #4 & #11)

** RIVET CLIPS TO SPARS BEFORE RIVETING TO RIB

RRADN08 S-75 COURIER WING RIB ASSEMBLY

#	DESCRIPTION	PART NUMBER	QUANTITY
1.	1/8" Aluminum Rivet - Cherry Q	AAPQ-41	140
2.	Rib Attach Clip - AFT	KPWI0460	20
3.	Wing Rib - LH	KPWI0543-L	10
3.	Wing Rib - RH	KPWI0543-R	10
4.	Rib Attach Clip - FWD	KPWI0459	20
5.	Serrated Grommet Strip	KSAC0023	15 in

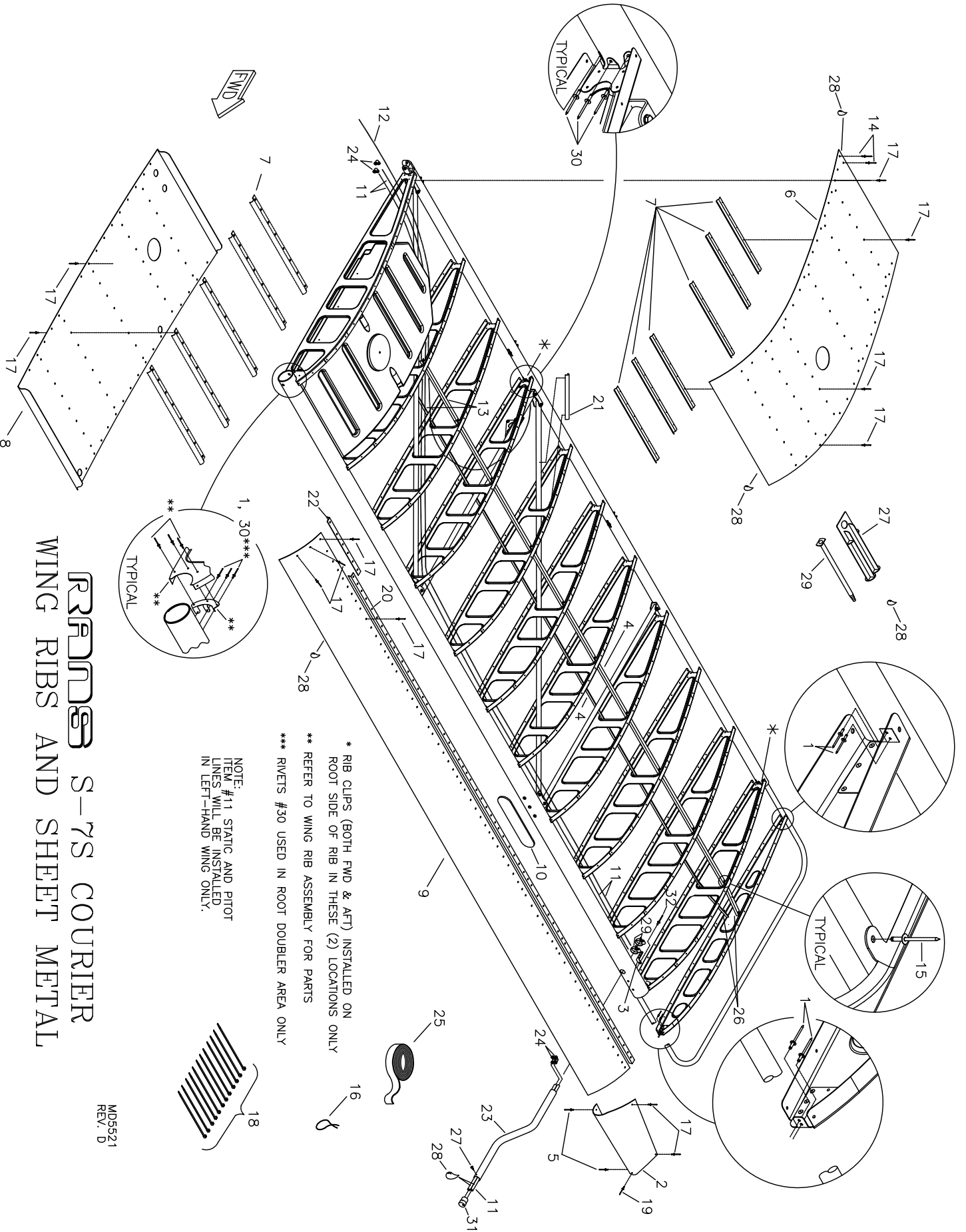


TIP RIB FOR LH WING SHOWN
TIP RIB FOR RH WING IS A MIRROR IMAGE

REVISION S-7S COURIER
WING TIP RIB ASSEMBLY

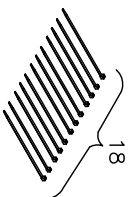
MD5522

#	DESCRIPTION	PART NUMBER	QUANTITY
1.	1/8" Aluminum Rivet - Cherry Q	AAPQ-41	24
2.	Rib Clip Trailing Edge - LH	KPWI0372-L	1
2.	Rib Clip Trailing Edge - RH	KPWI0372-R	1
3.	Wing Tip Rib - LH	KPWI0544-L	1
3.	Wing Tip Rib - RH	KPWI0544-R	1
4.	Rib Clip Leading Edge - LH	KPWI0373-L	1
4.	Rib Clip Leading Edge - RH	KPWI0373-R	1



P-7S COURIER
WING RIBS AND SHEET METAL

- * RIB CLIPS (BOTH FWD & AFT) INSTALLED ON ROOT SIDE OF RIB IN THESE (2) LOCATIONS ONLY
- ** REFER TO WING RIB ASSEMBLY FOR PARTS
- *** RIVETS #30 USED IN ROOT DOUBLER AREA ONLY



MD5521
 REV. D

S-7S COURIER - WING - RIBS & SHEET METAL

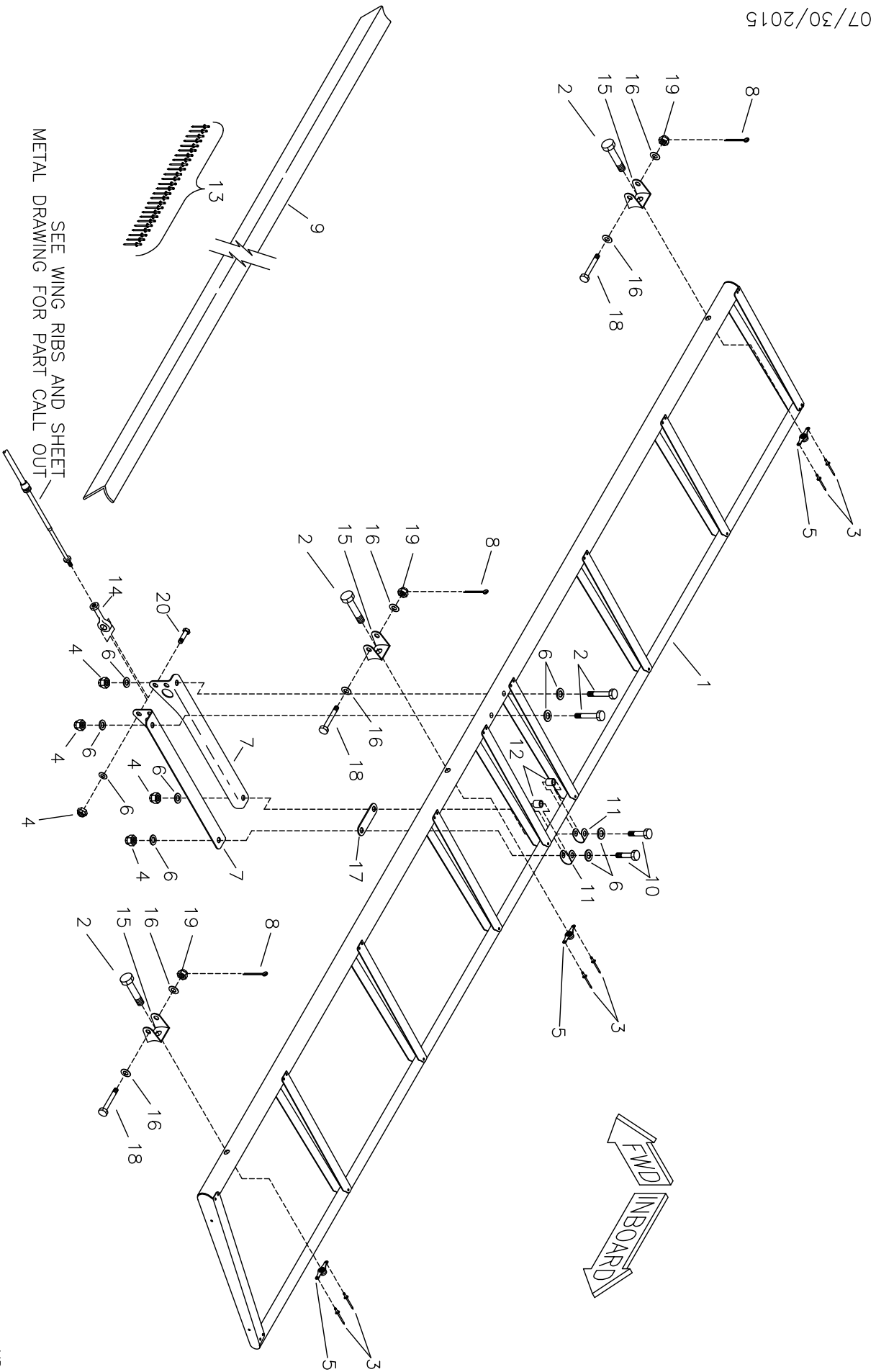
#	DESCRIPTION	PART NUMBER	QUANTITY
1.	1/8" Aluminum Rivet - Cherry Q	AAPQ-42	68
2.	Leading Edge Tip Wrap - LH	KPWI0359-L	1
2.	Leading Edge Tip Wrap - RH	KPWI0359-R	1
3.	Mount Angle	ST-16-BENT	1
4.	Rib Stringer - Outboard	KPWI0550	4
5.	1/8" Aluminum Rivet - Avex	1691-0410	4
6.	Upper Root Skin - Wing	KPWI0569	2
7.	Root Skin Stiffener	KPWI0574	22
8.	Lower Root Skin - Wing - LH	KPWI0570-L	1
8.	Lower Root Skin - Wing - RH	KPWI0570-R	1
9.	Wing Leading Edge Wrap	KPWI0551	2
10.	Bolt Cover	KPWI0208	2
11.	Pitot/Static Line	KSPT0004	60 ft
12.	Flap Teleflex - 16'	MORSE CABLE-16	2
13.	Rib Stringer - Inboard	KPWI0575	4
14.	1/8" Stainless Steel Rivet - Cherry Q	CCPQ-42	4
15.	1/8" Aluminum Rivet - Cherry Q	AAPQ-41	44
16.	Safety Wire **	-----	0
17.	1/8" Stainless Steel Rivet - Flush	CCC-42	380
18.	Plastic Tie-7.5"	N-TIES	16
19.	3/32" Aluminum Rivet	40APR1/8	2
20.	Leading Edge Wrap Stringer - Outboard	KPWI0567	2
21.	Anti-Chafe *	KPWI0612	1
22.	Leading Edge Wrap Stringer - Inboard	KPWI0576	2
23.	Pitot/Static Tube	KPPT0012	1
24.	Union Elbow	KSPT0005	4
25.	Double Stick Foam Tape **	-----	0
26.	Rib Stringer - Tip Rib *	KPWI0582	2
27.	#4 Small Pan Head Screw	4X1/4 PHS	1
28.	Silicone Seal - Clear **	-----	0
29.	Hose Clamp	5-6203	2
30.	1/8" Aluminum Rivet - Cherry Q	AAPQ-43	68
31.	Pitot/Static Probe Fitting	KPPT0013	1
32.	3/16" Stainless Steel Rivet - Cherry Q	CCPQ-64	1

*Builder Modifies

**Builder supplied.

5/1/2017

REV. D

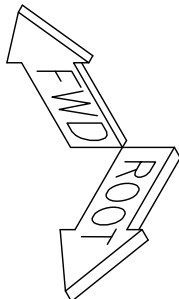


RRRNDSS S-76S COURIER
FLAP ASSEMBLY AND INSTALLATION

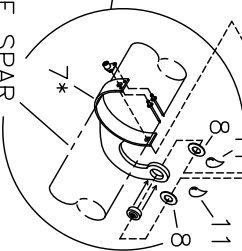
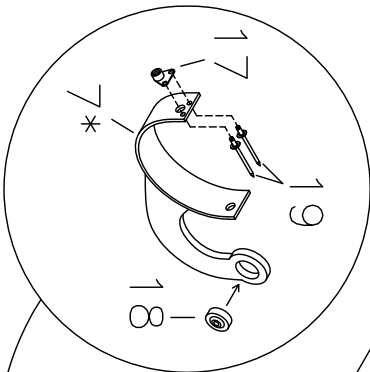
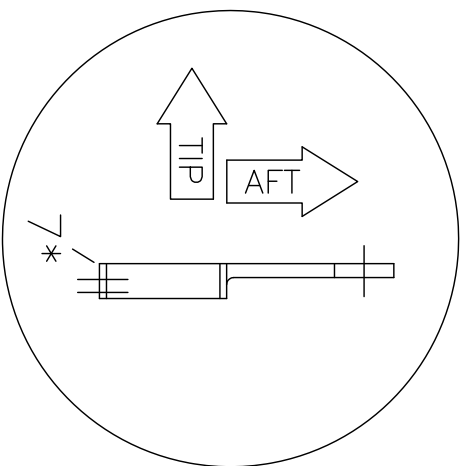
S-7S COURIER - WING - FLAP ASSEMBLY AND INSTALLATION

#	DESCRIPTION	PART NUMBER	QUANTITY
1.	Flap Frame Ass'y	KAFL0016	2
2.	3/16" Bolt	AN3-14A	10
3.	3/32" Aluminum Rivet	40APR1/8	12
4.	3/16" Shear Nut	AN364-1032A	10
5.	3/16" Nut Plate	K-1000-3	6
6.	3/16" Thin Washer	AN960-10L	18
7.	Flap Horn Attach Angle - RH	KPFL0094-R	2
7.	Flap Horn Attach Angle - LH	KPFL0094-L	2
8.	Small Cotter Pin	MS24665-134	6
9.	Control Surface Gap Seal	GAP-2	4
10.	3/16" Bolt	AN3-10A	4
11.	Aileron Clip	W-A-CLIP	4
12.	Spacer Bushing-Aileron/Flap 1/4"x.028x1/2"*	KPWI0613	0
13.	1/8" Aluminum Rivet - Avex	1691-0410	26
14.	Female Rod End	NF-3	2
15.	Wing Hinge Bracket	W-HB	6
16.	3/16" Thick Washer	AN960-10	14
17.	Aileron Clip	KPAC0191	2
18.	3/16" Bolt - drilled shank	AN3-15	6
19.	3/16" Castle Nut	AN310-3	8
20.	3/16" Bolt	AN3-6A	2

*Builder fabricates from KPWI0613 raw stock

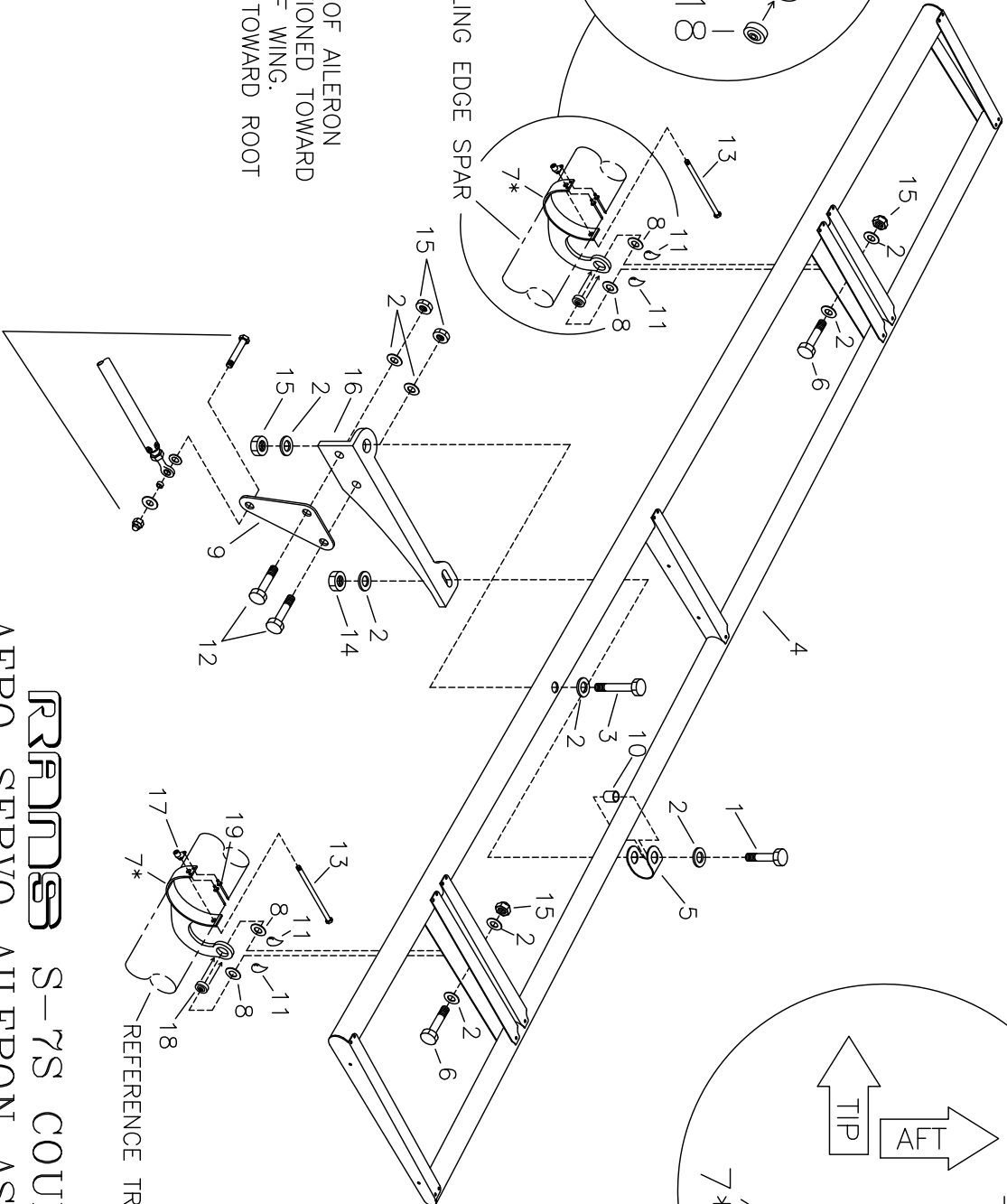


NOTE: RIGHT ALERON SHOWN



REFERENCE TRAILING EDGE SPAR

* ARM PORTION OF ALERON HINGE IS POSITIONED TOWARD AFT AND TIP OF WING. FLANGE FACES TOWARD ROOT OF WING.



REFERENCE TRAILING EDGE SPAR

MD5545
REV. B

REFERENCE ALERON BELLCRANK AND
CABLE INSTALLATION

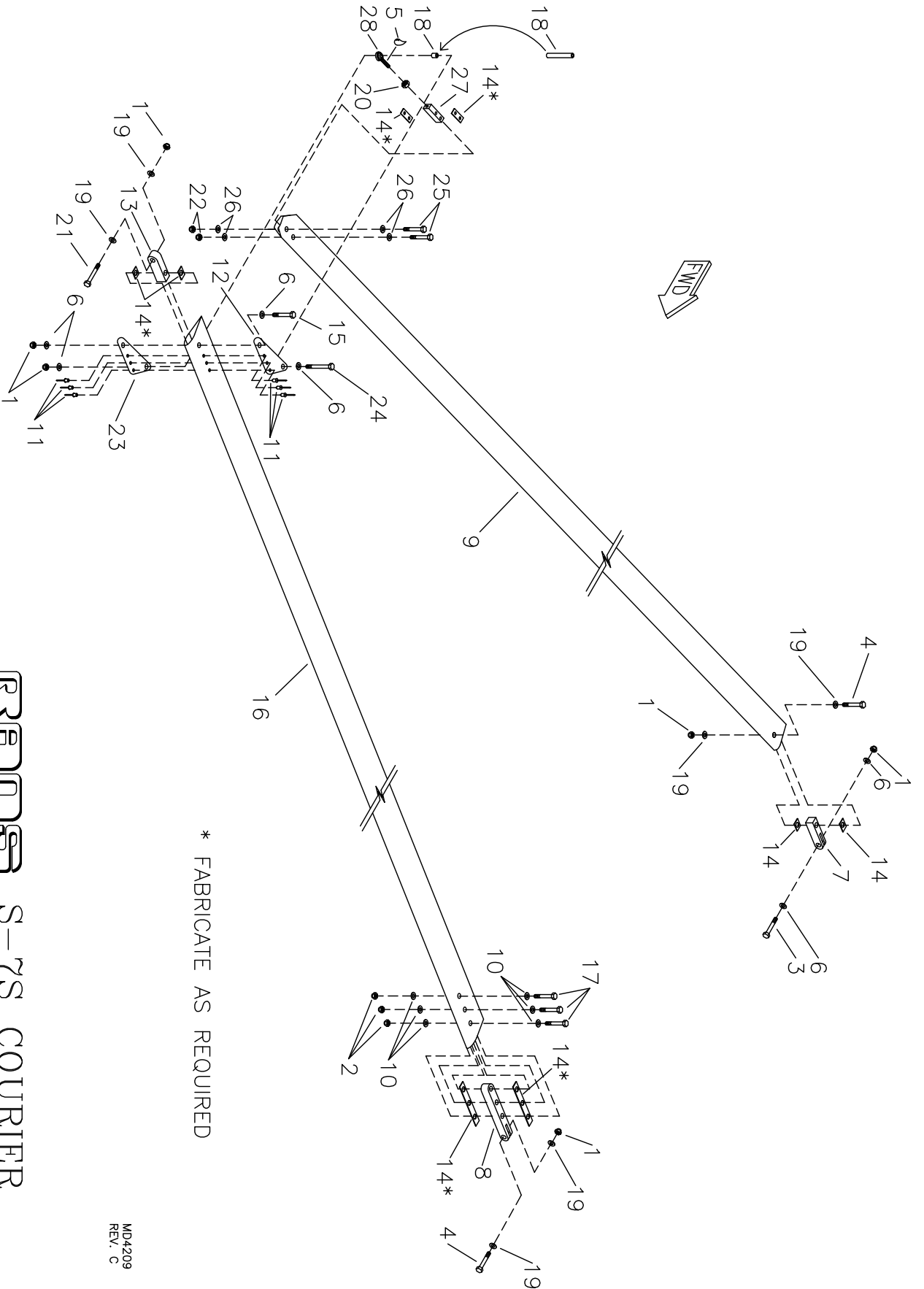
RRAND S-7S COURIER AERO-SERVO ALERON ASSEMBLY AND INSTALLATION

S-7S COURIER - WING - AERO-SERVO AILERON ASSY AND INSTALLATION

#	DESCRIPTION	PART NUMBER	QUANTITY
1.	3/16" Bolt	AN3-10A	2
2.	3/16" Thin Washer	AN960-10L	16
3.	3/16" Bolt	AN3-20A	2
4.	Aileron Frame Assembly	KAAL0015	2
5.	Aileron Clip	W-A-CLIP	2
6.	3/16" Bolt	AN3-7A	4
7.	Aileron Hinge - LH	KPAL0112-L	2
7.	Aileron Hinge - RH	KPAL0112-R	2
8.	3/16" Thick Washer	AN960-10	8
9.	Aileron Horn	KPAL0124	2
10.	Aluminum Bushing, 1/4" x .028" x 1/2" *	KPWI0613	0
11.	Adhesive - Superglue **	-----	0
12.	3/16" Bolt	AN3-4A	4
13.	3/16" Bolt	AN3-25A	4
14.	3/16" Shear Acorn Nut	22NKM02	2
15.	3/16" Shear Nut	AN364-1032A	8
16.	Aileron Attach Angle - LH	KPAL0125-L	1
16.	Aileron Attach Angle - RH	KPAL0125-R	1
17.	3/16" Side by Side Nut Plate	MS21086-L3	4
18.	3/16" Spherical Bearing	KSHW0089	4
19.	3/32" Aluminum Rivet	40APR1/4	8

*Builder fabricates from KPWI0613 raw stock

** Builder supplied



* FABRICATE AS REQUIRED

MD4209
REV. C

RRRINDOS S-7S COURIER
LIFT STRUT ASSEMBLY & INSTALLATION

S-7S COURIER - WING - LIFT STRUT ASSEMBLY & INSTALLATION

#	DESCRIPTION	PART NUMBER	QUANTITY
1.	5/16" Shear Nut	AN364-524A	12
2.	1/4" Shear Nut	AN364-428A	6
3.	5/16" Bolt	AN5-12A	2
4.	5/16" Bolt	AN5-13A	4
5.	Loctite Blue ***	-----	0
6.	5/16" Thick Washer	AN960-516	12
7.	AFT Connector - Lift Strut	LS-ACU-2	2
8.	Forward Lift Strut Connector	KPLS0051	2
9.	AFT Lift Strut	KPLS0046	2
10.	1/4" Thin Washer	AN960-416L	12
11.	3/16" Stainless Steel Rivet - Cherry Q	CCPQ-64	12
12.	Gusset Plate	116-S-GUSS-A	2
13.	Lower Connector - Lift Strut	LS-SC-F-ALUM	2
14.	.020 SHT. x 75" x 8" * **	KAAC0042-6	0
15.	5/16" Bolt	AN5-17A	2
16.	FWD Lift Strut	KPLS0014	2
17.	1/4" Bolt	AN4-15A	6
18.	Raw Stock Kit - Adjustable Lift Strut	KAAC0020	1
18.	Spacer Bushing, 3/8" x .035 x .50" *	KAAC0020-1	0
19.	5/16" Thin Washer	AN960-516L	12
20.	3/8" Plain Nut	MS35650-3382	2
21.	5/16" Bolt	AN5-14A	2
22.	3/16" Shear Nut	AN364-1032A	4
23.	Gusset Plate	116-S-GUSS-B	2
24.	5/16" Bolt	AN5-11A	2
25.	3/16" Bolt	AN3-13A	4
26.	3/16" Thick Washer	AN960-10	8
27.	Adjuster End	S-AE-3/4	2
28.	Rod End	3/8X24 ROD END	2

*Builder must fabricate from raw stock

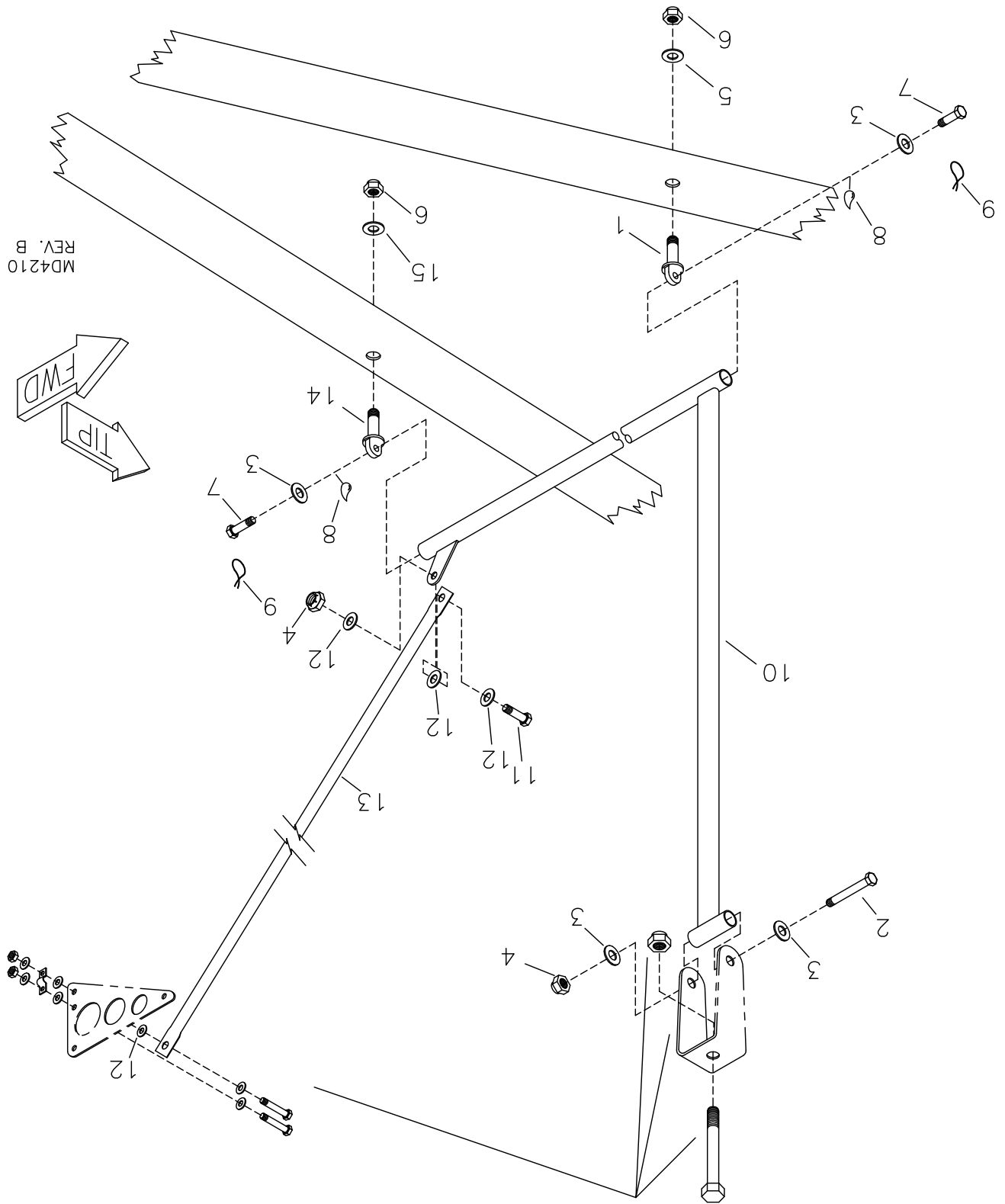
**Use only if neccessary.

*** Builder Supplied

7/30/2015

REV. C

RRMS S-75 COURIER JURY STRUT INSTALLATION

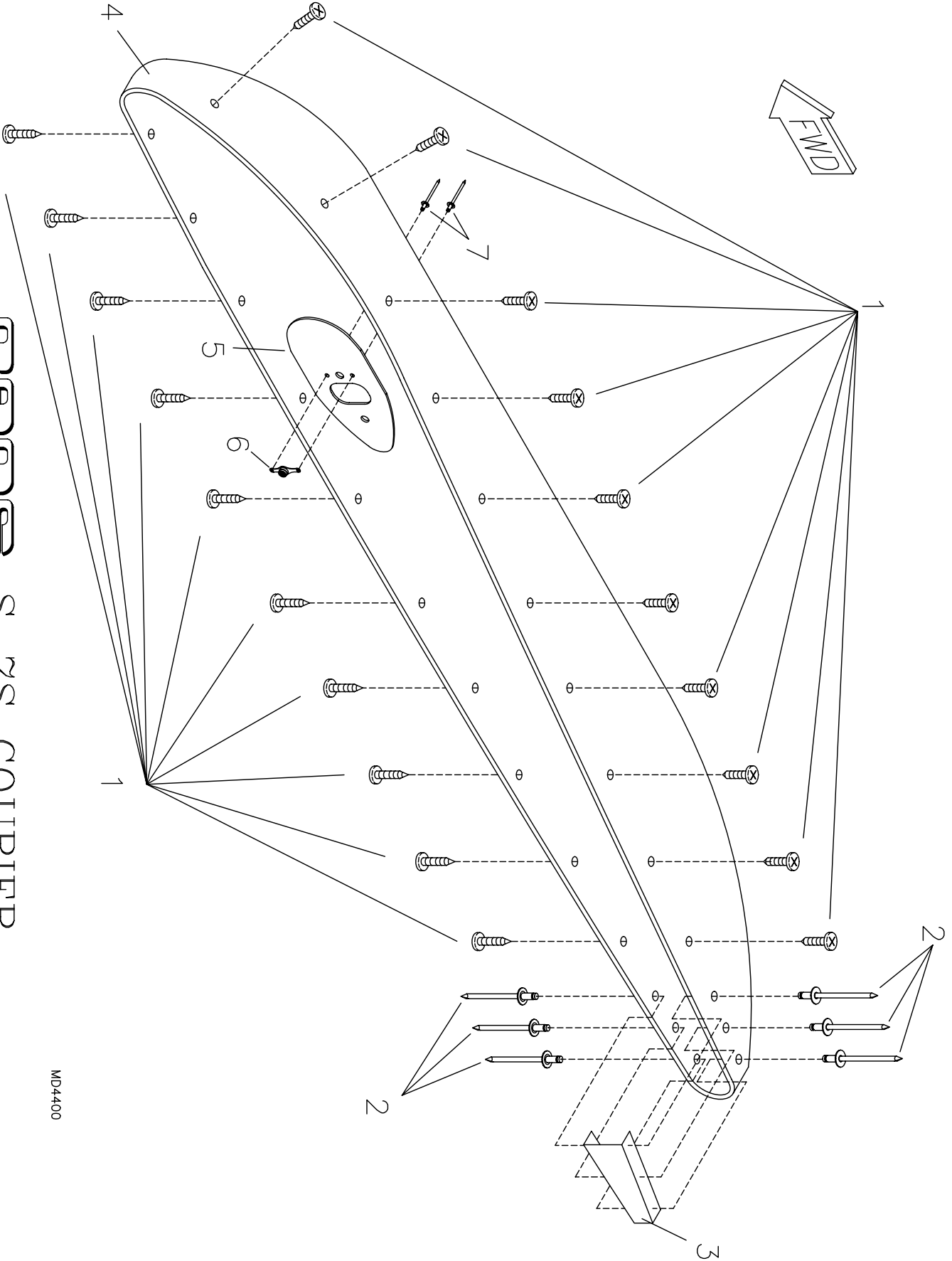
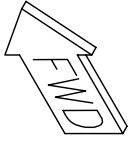


REFER TO WING SECTION
FOR PART IDENTIFICATION

S-7S COURIER - WING - JURY STRUT INSTALLATION

#	DESCRIPTION	PART NUMBER	QUANTITY
1.	1/4" Eyebolt	AN43B-15A	2
2.	3/16" Bolt	AN3-14A	2
3.	3/16" Thin Washer	AN960-10L	8
4.	3/16" Shear Nut	AN364-1032A	2
5.	1/4" Thin Washer	AN960-416L	2
6.	1/4" Tensile Nut	AN365-428A	4
7.	3/16" Bolt	AN3H-4A	4
8.	Loctite Blue *	-----	0
9.	Safety Wire *	-----	0
10.	Jury Strut Assembly	KAJS0003	2
11.	3/16" Bolt	AN3-5A	2
12.	3/16" Thick Washer	AN960-10	8
13.	AFT Jury Strut	KPJS0009	2
14.	1/4" Eyebolt	AN43B-14A	2
15.	1/4" Thick Washer	AN960-416	2

*Builder Supplied



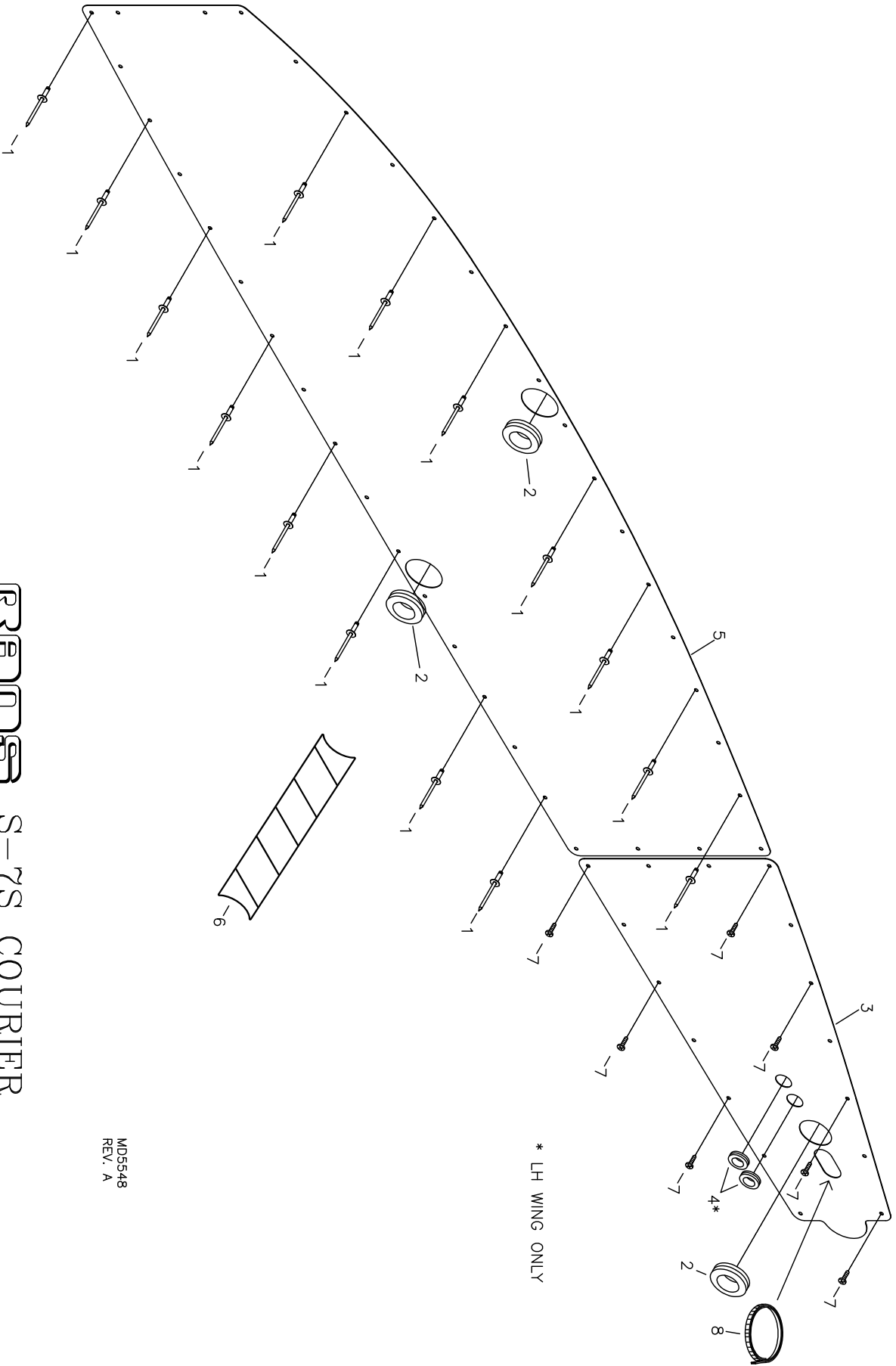
RRMD88 S-75S COURIER
WING TIP ASSEMBLY AND INSTALLATION

MD4400

S-7S COURIER - WING - WING TIP ASSEMBLY AND INSTALLATION

#	DESCRIPTION	PART NUMBER	QUANTITY
1.	#6 Pan Head Screw	6RX1/2 PHS	36
2.	1/8" Aluminum Rivet - Avex	1691-0410	12
3.	Aft Closure - Wing Tip	KPWI0381	2
4.	Wing Tip - RH - Carbon Fiber (optional)	KPWI0583-R	1
4.	Wing Tip - LH - Carbon Fiber (optional)	KPWI0583-L	1
4.	Wing Tip - RH - Fiberglass	KPWI0378-R	1
4.	Wing Tip - LH - Fiberglass	KPWI0378-L	1
5.	Strobe Light Mount - AVEO	KPWI0541	2
6.	3/16" Nut Plate	K-1000-3	2
7.	3/32" Aluminum Rivet	40APR1/8	4

RRRPPDSS S-7S COURIER ROOT SKIN INSTALLATION



MDS548
REV. A

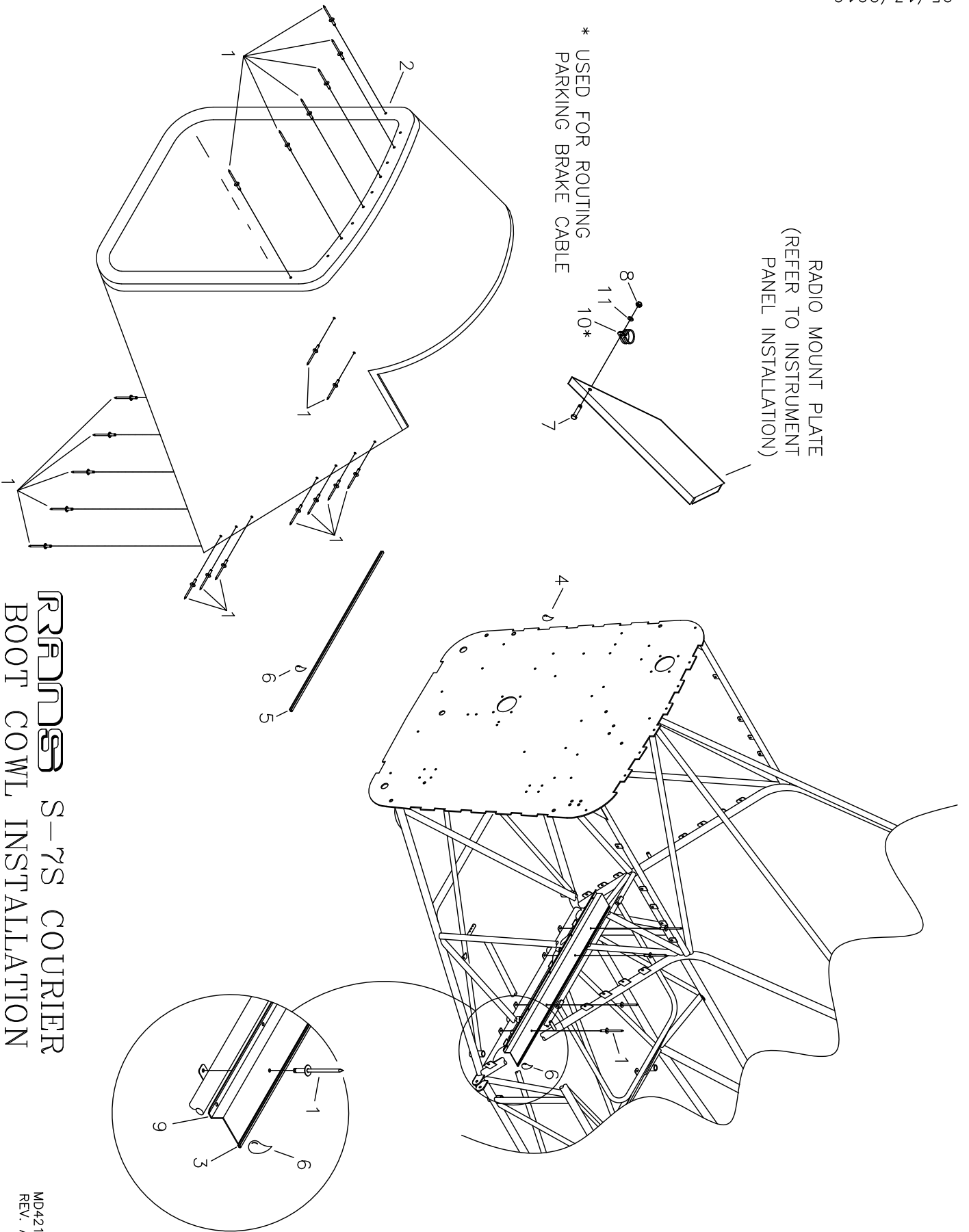
S-7S COURIER - WING - ROOT SKIN INSTALLATION

#	DESCRIPTION	PART NUMBER	QUANTITY
1.	3/32" Aluminum Rivet	40APR1/8	72
2.	Rubber Grommet	MS35489-17	6
3.	Root Rib Closeout - AFT	KPWI0573	2
4.	Rubber Grommet	MS35489-6	2
5.	Root Rib Closeout - FWD	KPWI0609	2
6.	Fuel Sight Gauge Decal - LH *	KPPL0024-L	0
6.	Fuel Sight Gauge Decal - RH *	KPPL0024-R	0
7.	#4 Small Pan Head Screw	4X1/4 PHS	36
8.	Serrated Grommet Strip	KSAC0023	6 in

* Referenced from Placards/Labels/Markers

RADIO MOUNT PLATE
(REFER TO INSTRUMENT
PANEL INSTALLATION)

* USED FOR ROUTING
PARKING BRAKE CABLE



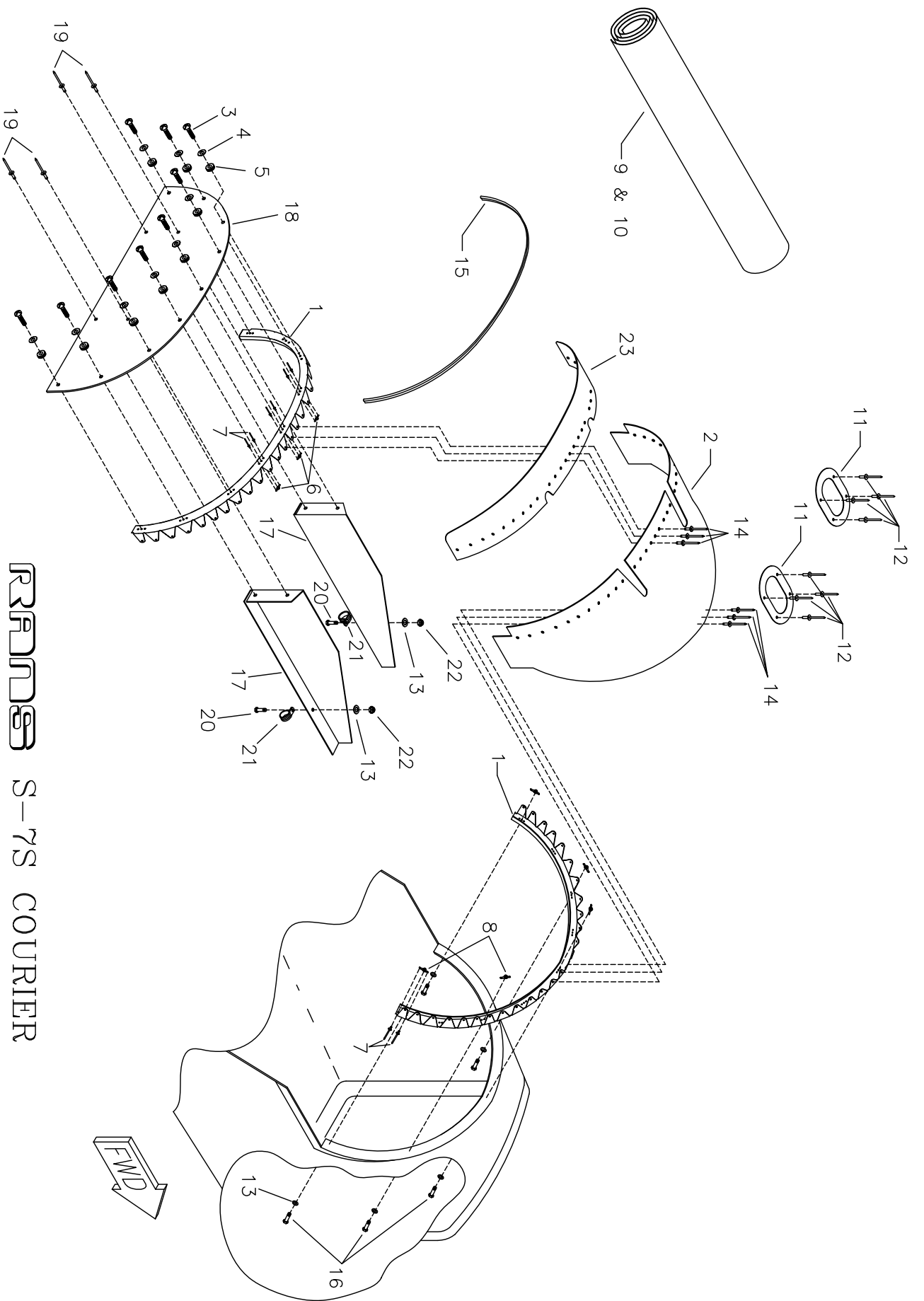
RRR S-7S COURIER BOOT COWL INSTALLATION

MD4211
REV: A

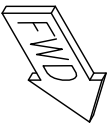
S-7S COURIER - BOOT COWL INSTALLATION

#	DESCRIPTION	PART NUMBER	QUANTITY
1.	1/8" Aluminum Rivet - Avex	1691-0410	51
2.	Boot Cowl - Fiberglass	KPCW0039-F	1
2.	Boot Cowl - Carbon Fiber (optional)	KPCW0039-C	1
3.	Rubber Edging	8510K11	2 ft
4.	Silicone Seal (Hi-Temp) *	-----	0
5.	Rubber Edging	X1011	3 ft
6.	Adhesive - Superglue *	-----	0
7.	3/16" Bolt	AN3-3A	1
8.	3/16" Shear Nut	AN364-1032A	1
9.	Boot Cowl Closeout	KPCW0046	1
10.	1/4" Cushioned Clamp	MS21919-WDG4	1
11.	3/16" Thin Washer	AN960-10L	1

*Builder Supplied



RR-7S COURIER
VERTICAL INSTRUMENT
PANEL INSTALLATION

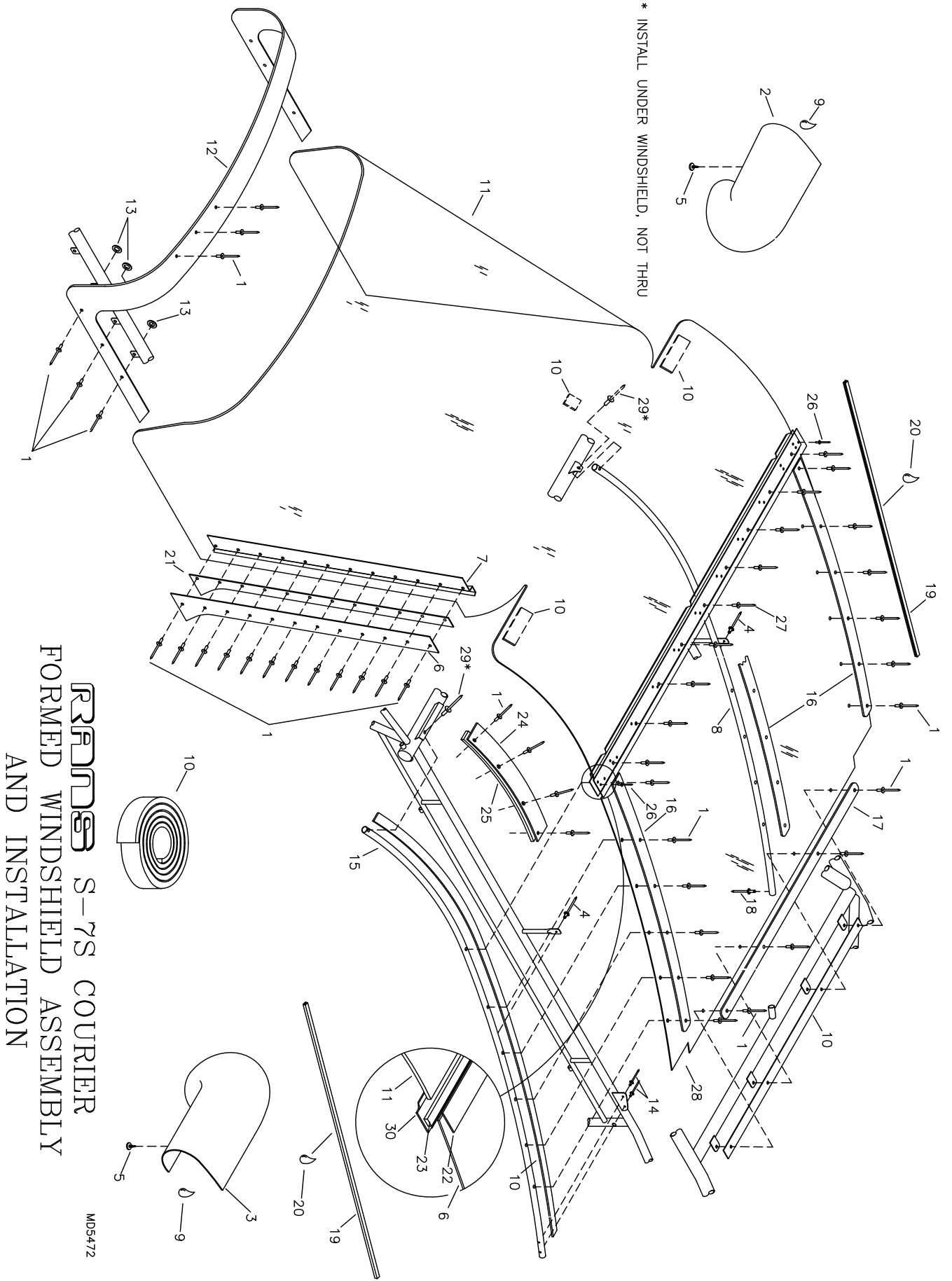


MD5563
 REV. A

S-7S COURIER - VERTICAL INSTRUMENT PANEL INSTALLATION

#	DESCRIPTION	PART NUMBER	QUANTITY
1.	Vertical Instrument Panel Frame	KPIP0136	2
2.	Dash - Vertical Instrument Panel	KPIP0137	1
3.	Screw	MS27039-0809	9
4.	#8 Small Brass Washer	AN960-B8	9
5.	Grommet	KSAC0002	9
6.	8/32 Nut Plate	MS21047-08	9
7.	3/32" Aluminum Rivet	40APR1/4	28
8.	3/16" Nut Plate	K-1000-3	5
9.	Dash Cover - Fabric	KPIN0088	1
10.	Dash Cover - Foam	KPIN0089	1
11.	Instrument Panel Closeout	KPIP0107	2
12.	1/8" Aluminum Rivet - Cherry Q	AAPQ-42	8
13.	3/16" Thin Washer	AN960-10L	7
14.	1/8" Aluminum Rivet - Avex	1691-0410	62
15.	Trimlock Cushion Lip	4100C-1/16	4 ft
16.	3/16" Bolt	AN3-4A	5
17.	Radio Mount Plate - Double - RH	KPAV0003-R	1
17.	Radio Mount Plate - Double - LH	KPAV0003-L	1
18.	Vertical Panel - Blank	KPIP0139	1
19.	1/8" Stainless Steel Rivet - Cherry Q	CCPQ-42	4
20.	3/16" Bolt	AN3-3A	2
21.	1/2" Cushioned Clamp	MS21919-DG8	2
22.	3/16" Shear Nut	AN364-1032A	2
23.	Panel Visor	KPIP0145	1

* INSTALL UNDER WINDSHIELD, NOT THRU



RRR S-7S COURIER
 FORMED WINDSHIELD ASSEMBLY
 AND INSTALLATION

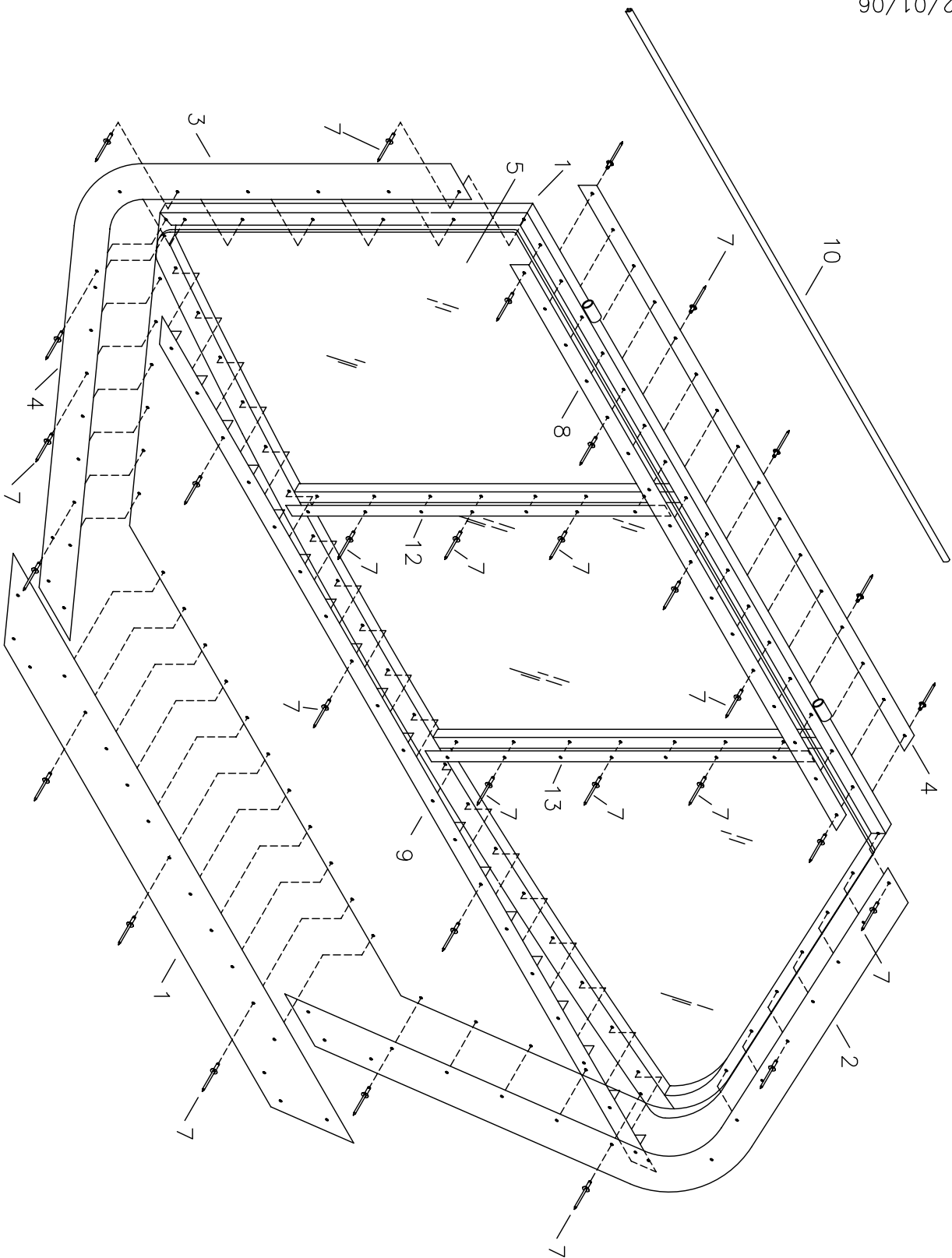
MDS472

S-7S COURIER - FORMED WINDSHIELD ASSEMBLY & INSTALLATION**WINDSHIELD & SKYLIGHT**

#	DESCRIPTION	PART NUMBER	QUANTITY
1.	1/8" Aluminum Rivet - Avex	1691-0410	98
2.	Wing Cuff, RH	WS-CUFF-RH	1
3.	Wing Cuff, LH	WS-CUFF-LH	1
4.	3/16" Aluminum Rivet - Cherry Q	AAPQ-62	3
5.	#6 Pan Head Screw	6RX1/2 PHS	2
6.	Windshield Trim Strip	KPWS0050	2
7.	Z Strip - Windshield	KPWS0052	2
8.	Center Rib - Skylight	KPWS0027	1
9.	3M 2216 Adhesive *	-----	0
10.	1/2" Black Foam Tape	KSAC0021	18 ft
11.	Windshield	KSWS0001	1
12.	Front Trim Strip - Windshield	KPWS0029	1
13.	1/8" Small Brass Washer	AN960-B4	8
14.	1/8" Aluminum Rivet - Cherry Q	AAPQ-42	4
15.	Upper Rib - Wing	KPWI0364	2
16.	Skylight Trim Strip	KPWS0010	3
17.	AFT Trim Strip - Skylight	KPWS0009	1
18.	1/8" Stainless Steel Rivet - Cherry Q	CCPQ-42	1
19.	Rubber Edging	X1011	7 ft
20.	Adhesive - Superglue *	-----	0
21.	Trim Strip Spacer	KPWS0053	2
22.	Mating Strip - Upper	KPWS0066	1
23.	Mating Strip Spacer	KPWS0067	1
24.	FWD Hold Down Strip	KPWS0055	2
25.	Hold Down Strip Spacer	KPWS0056	2
26.	3/32" Aluminum Rivet	40APR1/4	2
27.	1/8" Aluminum Rivet - Cherry Q	AAPQ-44	9
28.	Skylight	KPWS0044	1
29.	1/8" Stainless Steel Rivet - Flush	CCC-42	3
30.	Mating Strip - Lower	KPWS0065	1

*Builder Supplied

9/1/2014



REFINER S-7S COURIER
DOOR ASSEMBLY, LEXAN AND TRIM



MD4213
 REV. B

S-7S COURIER - DOOR ASSEMBLY, LEXAN AND TRIM

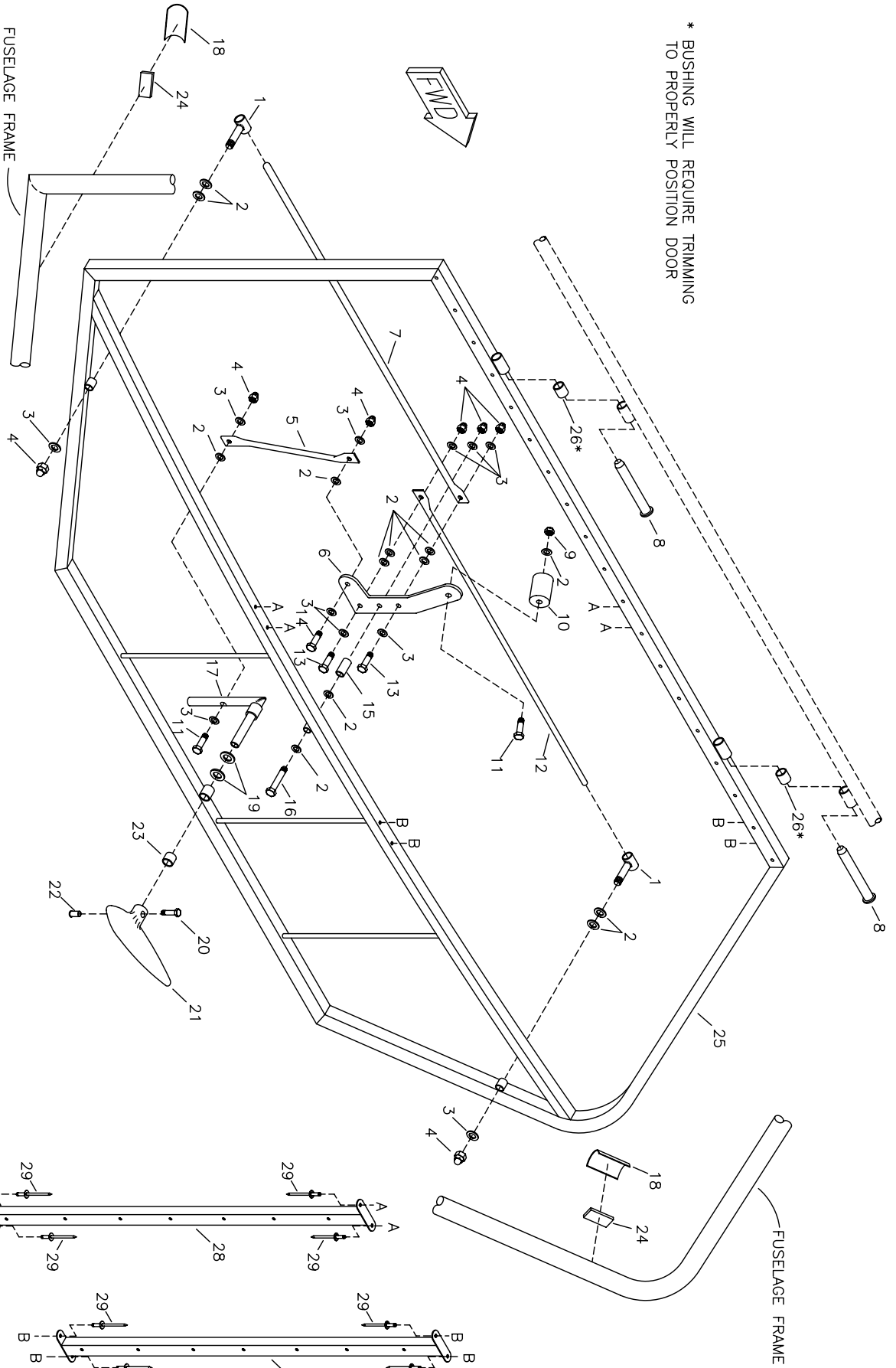
PAGE 006-06

LEXAN & TRIM

#	DESCRIPTION	PART NUMBER	QUANTITY
1.	Lower Trim Strip	KPDR0074	2
2.	FWD Trim Strip	KPDR0075	2
3.	AFT Trim Strip	KPDR0076	2
4.	Upper Trim Strip	KPDR0077	2
5.	Door Lexan	KPDR0078	2
6.	1/2" Black Foam Tape	KSAC0021	20 ft
7.	1/8" Aluminum Pop Rivet - Avex	1691-0410	228
8.	Window Upper Trim Strip - Door	KPDR0079	2
9.	Window Lower Trim Strip - Door	KPDR0080	2
10.	Rubber Edging	8510K11	8 ft
11.	Air Vent	AIR-VENT	4
12.	Support Rib Trim Strip - AFT	KPDR0081	2
13.	Support Rib Trim Strip - FWD	KPDR0082	2

12/1/2006

* BUSHING WILL REQUIRE TRIMMING TO PROPERLY POSITION DOOR



NOTE: RIGHT HAND DOOR SHOWN

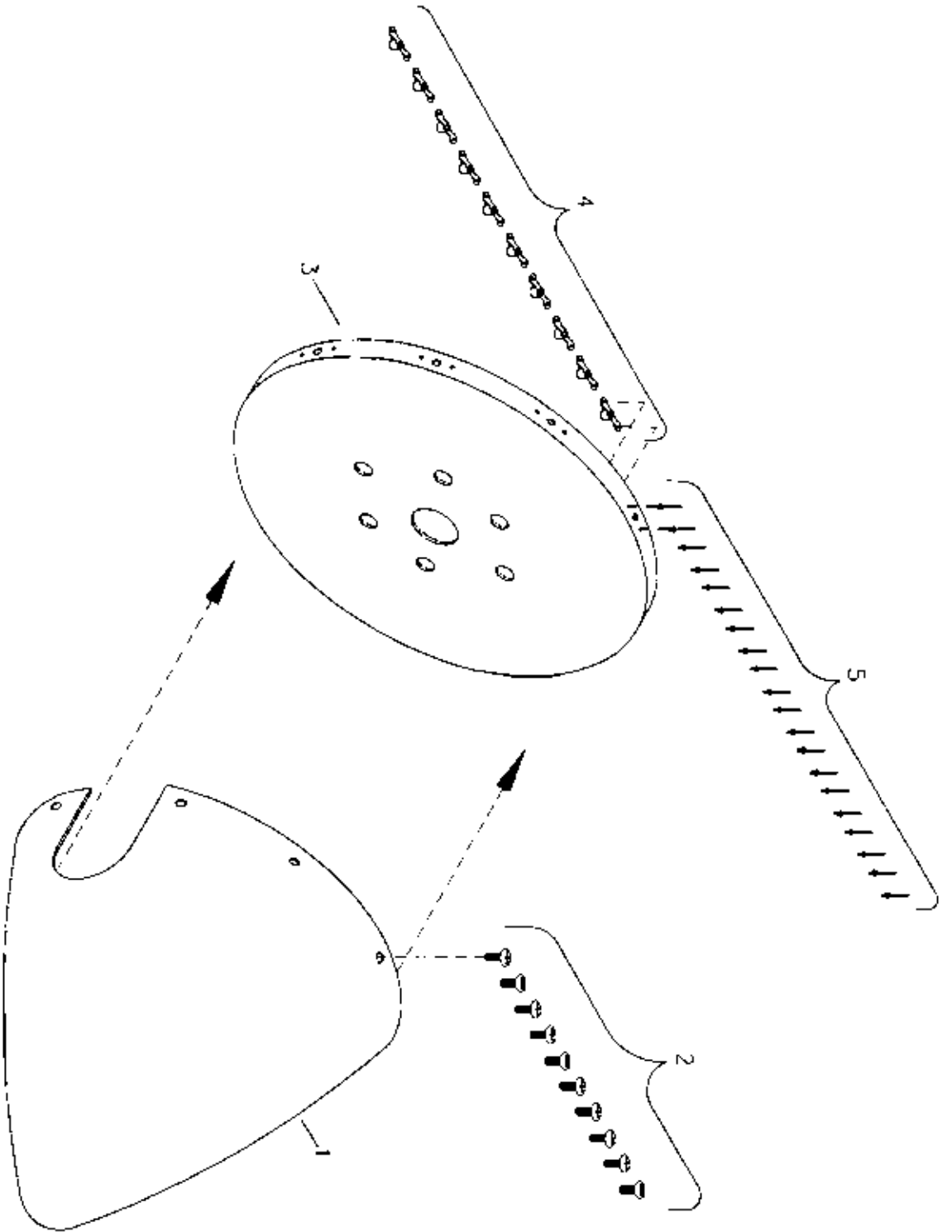
RRRMMSS S-75S COURIER DOOR LATCH AND DOOR INSTALLATION

MD4214
REV. A

#	DESCRIPTION	PART NUMBER	QUANTITY
1.	Door Pivot Bushing	KPDR0057	4
2.	3/16" Thick Washer	AN960-10	26
3.	3/16" Thin Washer	AN960-10L	22
4.	3/16" Shear Acorn Nut	22NKM02	14
5.	Door Connect Rod	KPDR0061	2
6.	Door Handle - RH	KPDR0056-R	1
6.	Door Handle - LH	KPDR0056-L	1
7.	Door Latch Rod - AFT	KPDR0059	2
8.	Self-Locking Clevis Pin	KSHW0045	4
9.	3/16" Shear Nut	AN364-1032A	2
10.	Knob	KPCS0104	2
11.	3/16" Bolt	AN3-7A	4
12.	Door Latch Rod - FWD	KPDR0060	2
13.	3/16" Bolt	AN3-5A	4
14.	3/16" Bolt	AN3-4A	2
15.	Aluminum Bushing, 3/8" x .095 x .56"	KAAC0042-9	0
16.	3/16" Bolt	AN3-14A	2
17.	Door Bottom Latch	KPDR0058	2
18.	Door Latch Striker Plate	KPDR0062	4
19.	3/8" Thick Washer	AN960-616	4
20.	Button Head Screw	KSHW0024	2
21.	Door Handle	KPDR0026	2
22.	Brass Flange Nut	KSHW0025	2
23.	Aluminum Bushing, 1/2" x .058 x .33"	KAAC0042-10	0
24.	3/4" Acrylic Foam Tape **	4929	0
25.	Door Frame Assembly - LH	KADR0005-L	1
25.	Door Frame Assembly - RH	KADR0005-R	1
26.	Bushing, 3/8" X .058 X X*	KAAC0042-2	0
27.	Window Support Tube - FWD	KPDR0090	2
28.	Window Support Tube - AFT	KPDR0091	2
29.	1/8" Aluminum Rivet - Avex	1691-0410	16

*Builder fabricates from raw stock

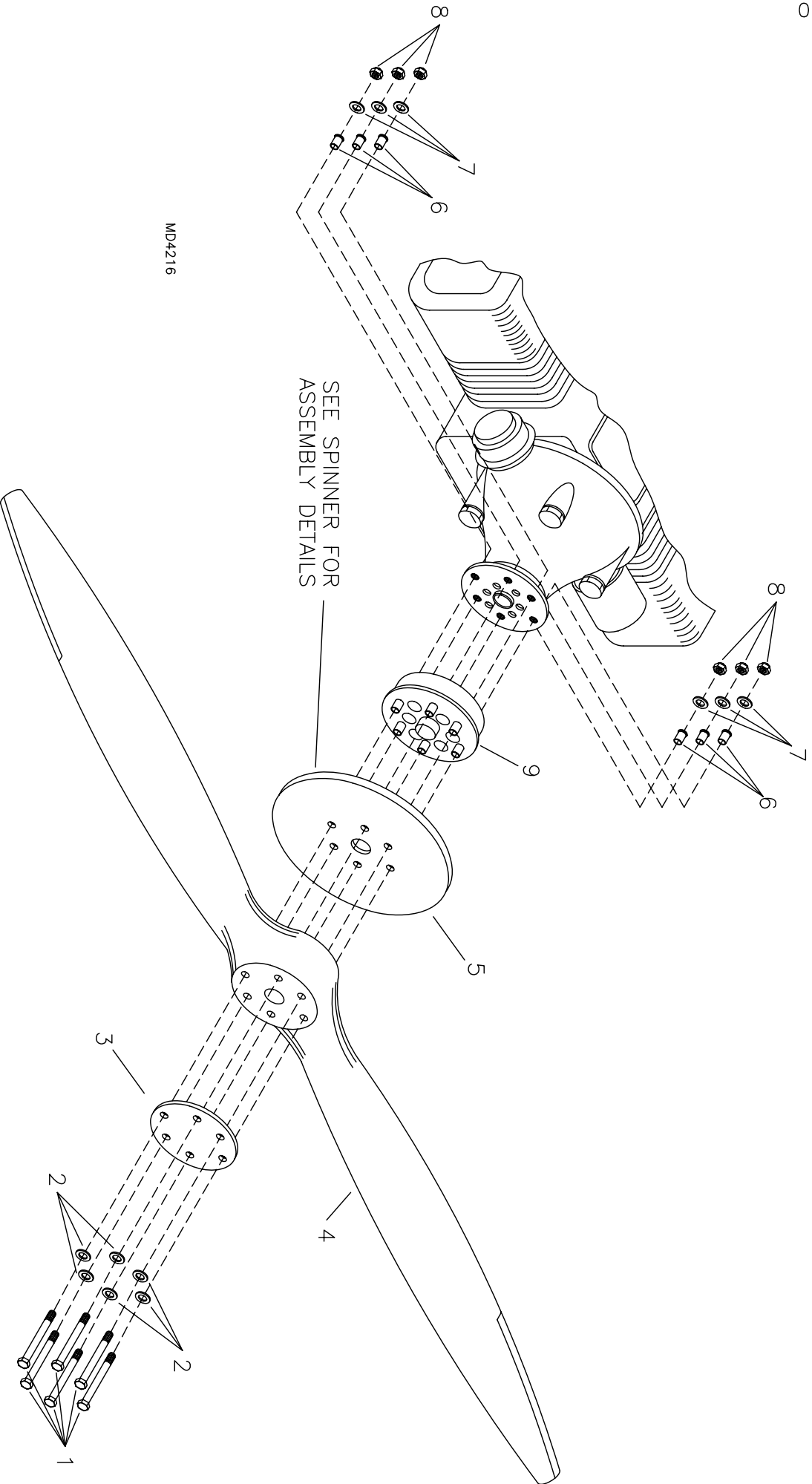
** Builder Supplies



**REPUBLICAN S-7S COURIER
13" SPINNER ASSEMBLY**

WD4215
REV. A

#	DESCRIPTION	PART NUMBER	QUANTITY
1.	Spinner Dome	KPPW0232	1
2.	Pan Head Phillips Bolt	KSHW0071	10
3.	Spinner Backing Plate, 912S	KPPW0253	1
4.	3/16" Nut Plate	K-1000-3	10
5.	3/32" Aluminum Pop Rivet	40APR1/4	20



MD4216

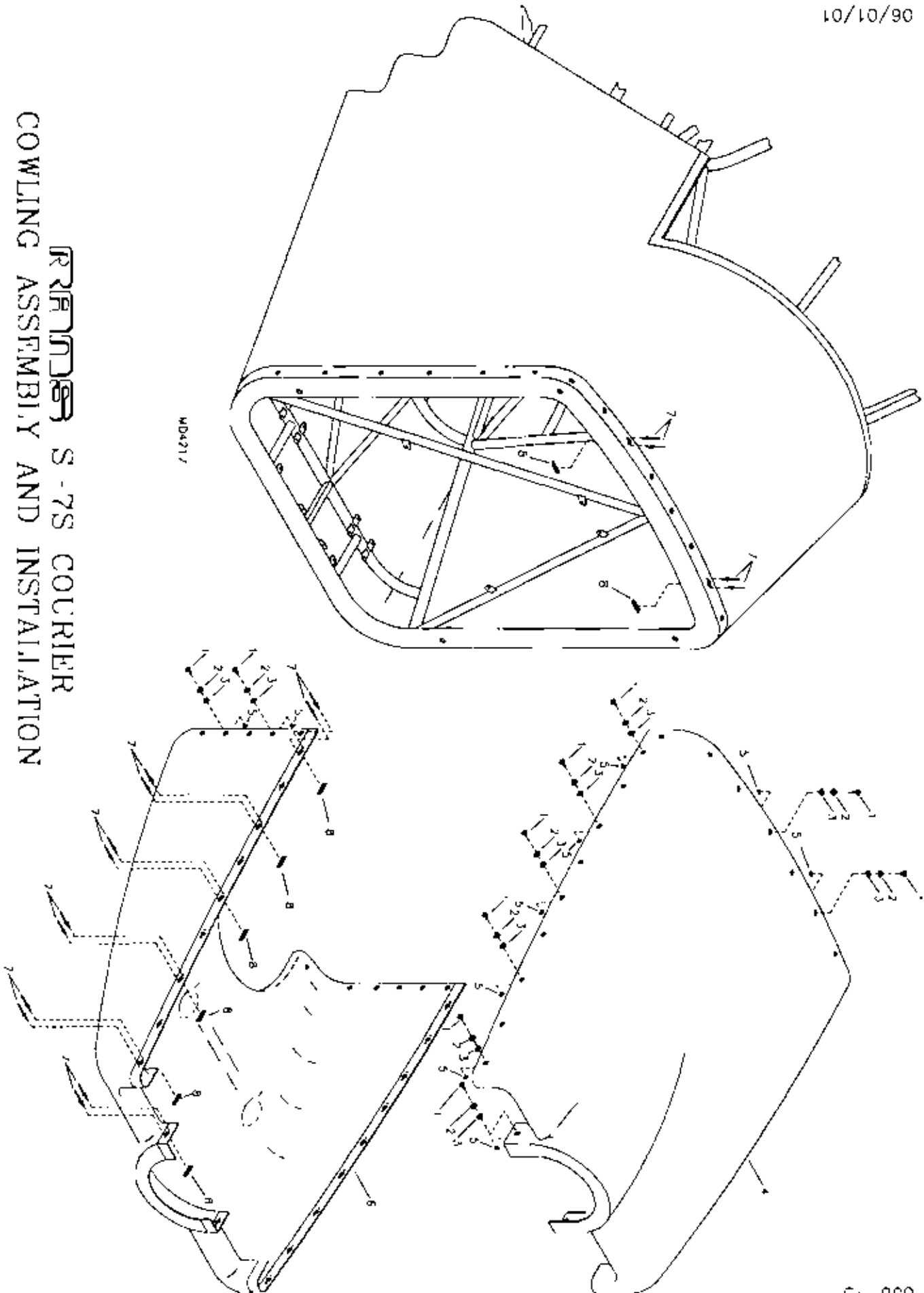
RRRMDSS S-7S COURIER
 OPTIONAL SENSENICH WOOD PROPELLER INSTALLATION

#	DESCRIPTION	PART NUMBER	QUANTITY
1.	8 MM Bolt	M8X1.25X140	6
2.	5/16" Thick Washer	AN960-516	6
3.	Crush Plate	KPPW0183	1
4.	Sensenich Wooden Prop	KSPW0060	1
5.	Spinner Backing Plate - 13"*	KPPW0253	0
6.	Flange Bushing-912	KPPW0038	6
7.	5/16" Thin Washer	AN960-516L	6
8.	8 MM Nut	M8X1.25 NUT	6
9.	1" Prop Extension Assembly-912	KAPW0024	1

*Referenced from Spinner Assembly.

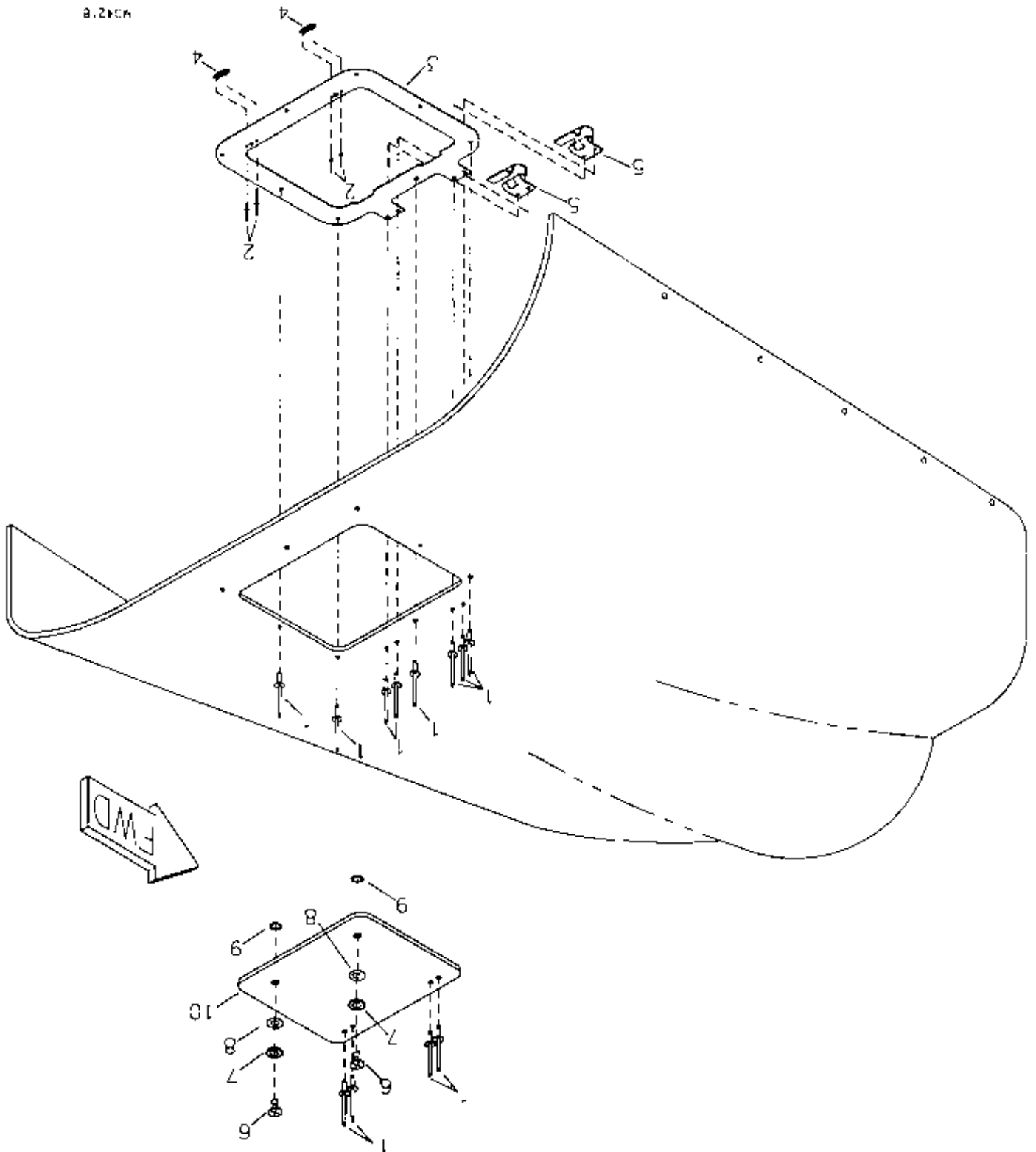
RRR11111 S - 7S COURIER
COWLING ASSEMBLY AND INSTALLATION

MD4217



#	DESCRIPTION	PART NUMBER	QUANTITY
1.	1/4 Turn Stud	#180	35
1.	1/4 Turn Stud	#200	4
1.	1/4 Turn Stud	#240	4
2.	Rubber Washer	#201	43
3.	Wear Washer Nylon	#103	43
4.	Upper Cowling	KPCW0034	1
5.	Snap Ring	#101	43
6.	Lower Cowling	KPCW0035	1
7.	3/32" Aluminum Pop Rivet	40APR1/4	86
8.	1/4 Turn Receptacle	#302	43

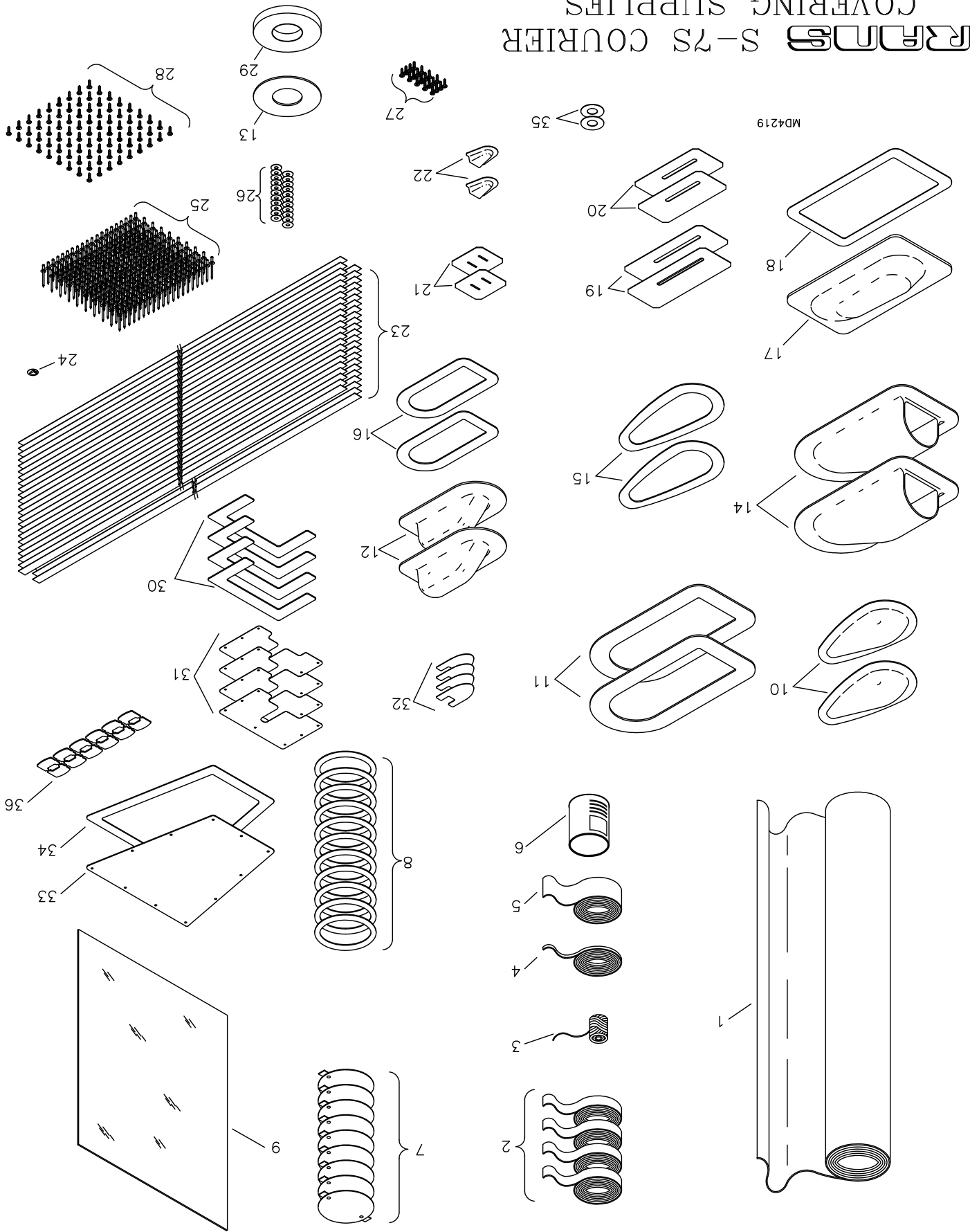
REPTIS S-7S COURIER OIL CHECK DOOR INSTALLATION



0.2406

#	DESCRIPTION	PART NUMBER	QUANTITY
1.	1/8" Aluminum Pop Rivet - Avex	1691-0410	18
2.	3/32" Aluminum Pop Rivet	40APR1/4	4
3.	Reinforcement Ring - Maintenance Hatch	KPCW0015	1
4.	1/4" Turn Receptacle	#302	2
5.	Oil Door Hinge	KSHW0053	2
6.	1/4" Turn Stud	#180	2
7.	Rubber Washer	#201	2
8.	Wear Washer Nylon	#103	2
9.	Snap Ring	#101	2
10.	Maintenance Hatch	KPCW0036	1

RPM S-7S COURIER COVERING SUPPLIES



MD4219

S-7S COURIER - COVERING SUPPLIES & OTHER

#	DESCRIPTION	PART NUMBER	QUANTITY
1.	Aircraft Fabric	CV-S7	39 yds
2.	2" Surface Tape	2 TAPE	4 rls
3.	Rib Lacing	RIB LACING	5 ft
4.	1/4" Rib Tape	RIB TAPE	4 ft
5.	4" Surface Tape	4 TAPE	40 ft
6.	Adhesive - Aircraft Fabric *** ****	KSCV0001	0 gal
7.	Inspection Plate	CV-IP	15
8.	Inspection Ring	CV-IR	19
9.	.020 Lexan, 6" x 6" *	KAAC0042-5	0
10.	Flap Teleflex exit	KPWI0226	2
11.	Aileron Push Pull Tube Exit Ring	KPWI0348	2
12.	Elevator Yoke Exit	KPCV0028	2
13.	Lexan Ring, 2"	KPCV0038	1
14.	Aileron Push Pull Tube Exit	KPWI0349	2
15.	Flap Teleflex Exit Ring	KPCV0010	2
16.	Elevator Yoke Exit Ring	KPCV0029	2
17.	Trim Exit Cover	KPCV0026	1
18.	Trim Exit Ring	KPCV0027	1
19.	Trailing Edge Strut Attach Plate Exit	KPCV0034	2
20.	Leading Edge Strut Attach Plate Exit	KPCV0035	2
21.	Jury Strut Bracket Exit	KPCV0036	2
22.	Rudder Cable Exit	CV-RX	2
23.	Cover Strap	KPCV0012	47
24.	Seaplane Grommet	AN231-4	1
25.	1/8" Aluminum Rivet - Avex	1691-0410	722
26.	Drain Grommet	KSCV0003	16
27.	#6 Pan Head Screw	6RX1/2 PHS	30
28.	#4 Small Pan Head Screw *****	4X1/4 PHS	81
29.	Double Sided 1/4" Seam Tape ***	-----	0
30.	Exit Ring - Aileron Hinge - Aileron **	KPCV0058	2
31.	Exit Cover - Aileron Hinge - Aileron **	KPCV0059	1
32.	Exit Ring - Aileron Hinge - Wing **	KPCV0060	1
33.	Access Plate	KPCV0004	1
34.	Access Ring	KPCV0003	1
35.	Brake Line Exit Ring	KPCV0061	2
36.	Rudder / Elevator Hinge Reinforcement **	KPCV0063	1

*Supplied in Raw Stock Kit

** Builder modifies *** Builder Supplied

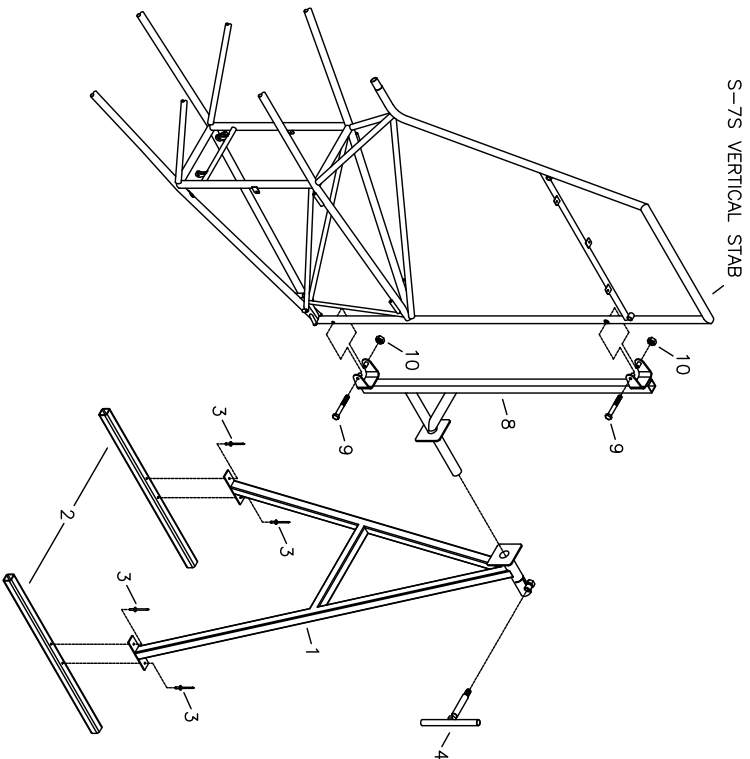
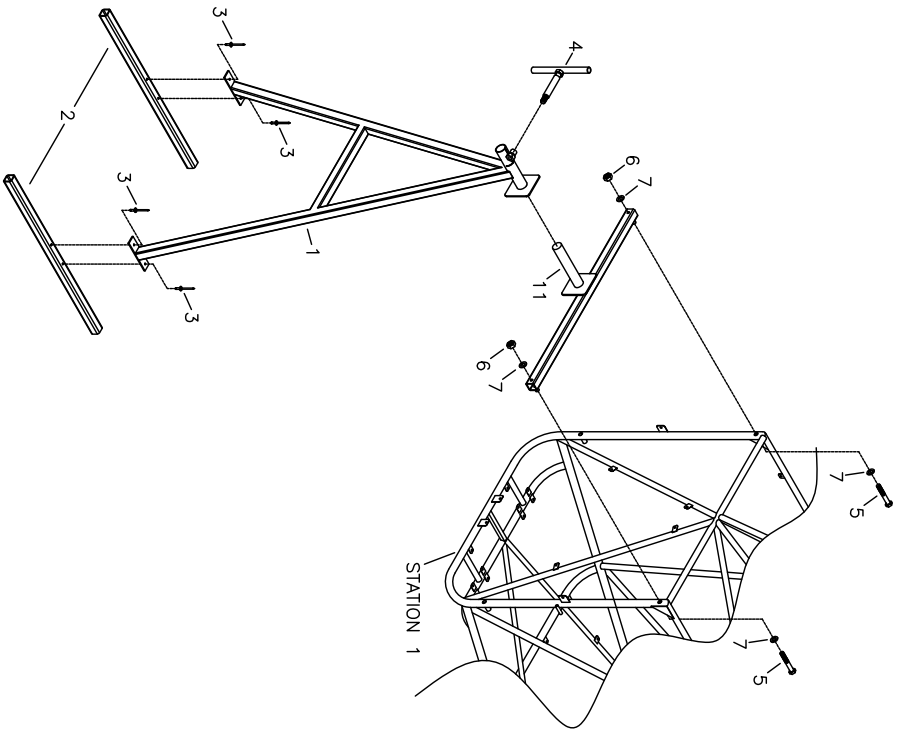
**** May be purchased seperately, call RANS PARTS DEPT. for pricing

***** Use to mount removable Exit Fairings and Covers

9/1/2014

COVER / PAINT
STANDS ARE NOT
AVAILABLE FROM
RANS.

REFER TO
FIGURE DRAWING
MANUAL FOR
PLANS TO BUILD
YOUR OWN



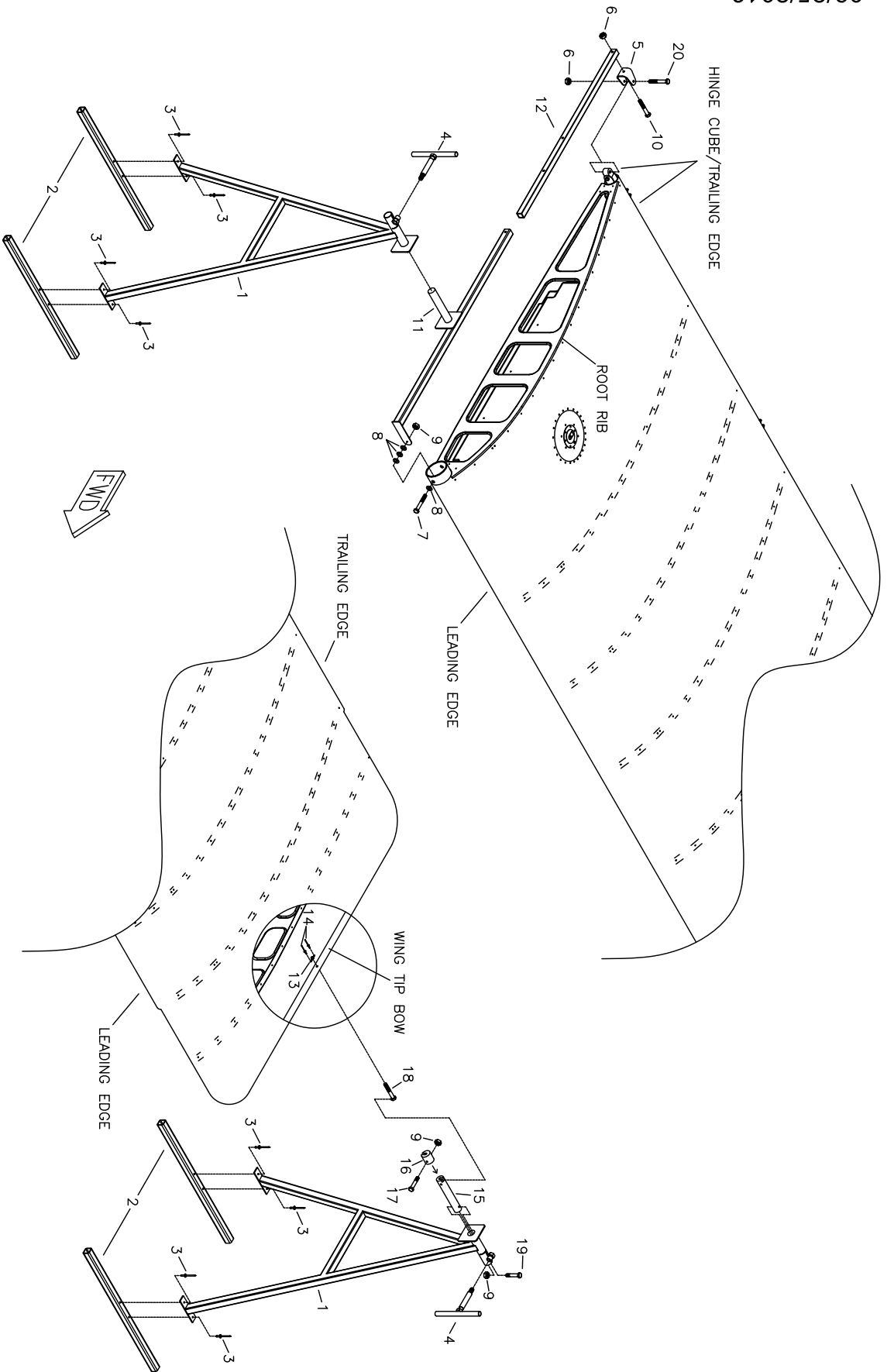
RRRINDS S-7S COURIER
COVER / PAINT STANDS - FUSELAGE

MD5624
 REV. -- ORIG

RANS S-7S COURIER - COVER / PAINT STANDS - FUSELAGE

Builder Constructed - refer to Figure Manual for Prints

#	DESCRIPTION	PART NUMBER	QUANTITY
1.	A-Frame Stand	KP-100	2
2.	A-Frame Stand - Base	KP-100-5	4
3.	3/16" Aluminum Rivet - Cherry Q	AAPQ-64	8
4.	"T" Lock Handle	KP-107	2
5.	1/4" Bolt	AN4-32A	2
6.	1/4" Shear Nut	AN364-428A	2
7.	1/4" Thick Washer	AN960-416	4
8.	AFT Fuselage Attach	KP-112	1
9.	3/16" Bolt	AN3-26A	2
10.	3/16" Shear Nut	AN364-1032A	2
11.	FWD Fuselage Attach	KP-111	1



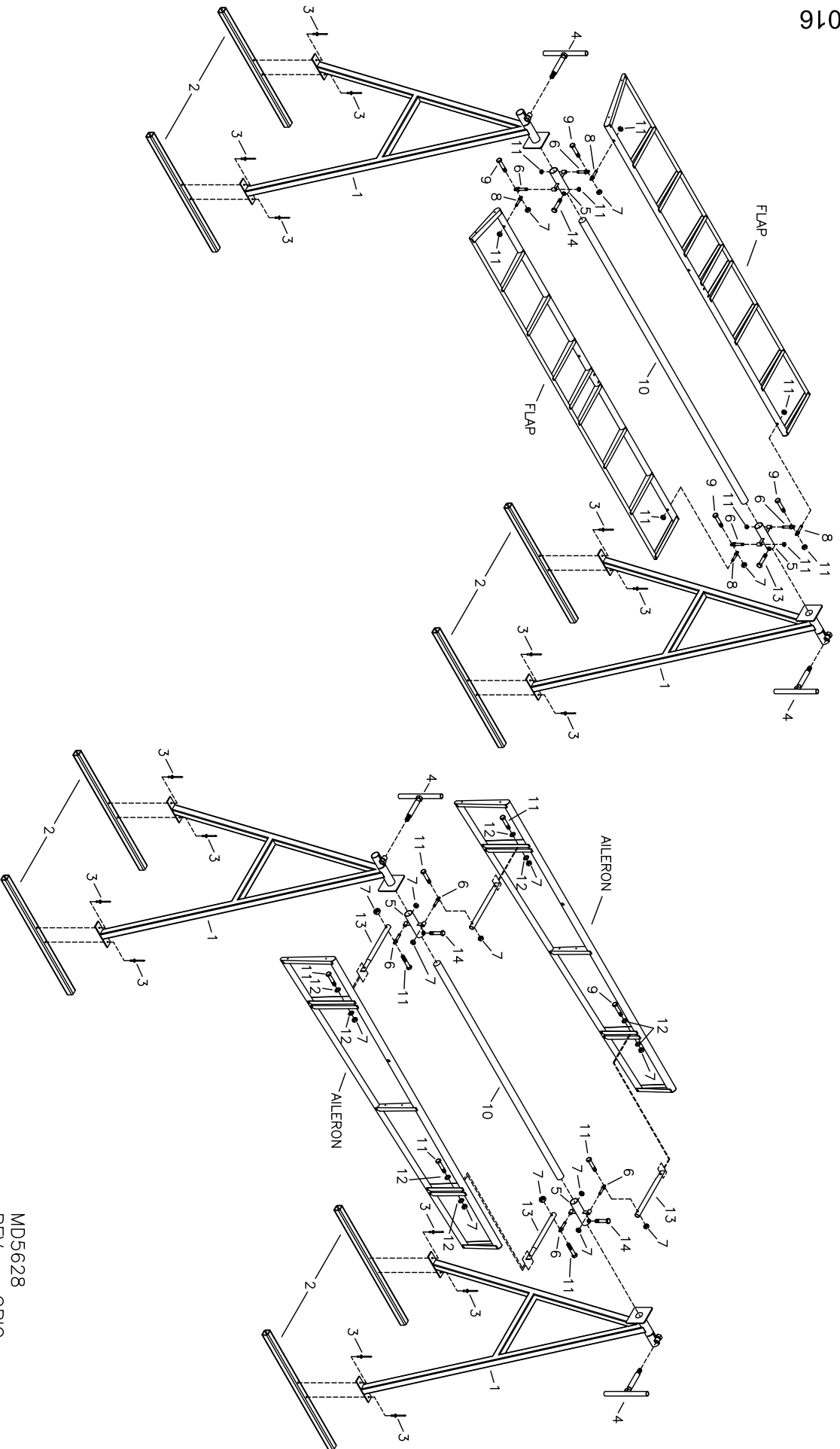
PRIMA S-75 COURIER
COVER / PAINT STANDS - WING

MDS5625
 REV. - ORIG

RANS S-7S COURIER - COVER / PAINT STANDS - WING

Builder Constructed - refer to Figure Manual for Prints

#	DESCRIPTION	PART NUMBER	QUANTITY
1.	A-Frame Stand	KP-100	2
2.	A-Frame Stand - Base	KP-100-5	4
3.	3/16" Aluminum Rivet - Cherry Q	AAPQ-64	8
4.	"T" Lock Handle	KP-107	2
5.	1" Stainless Steel U-Bracket	SU-118	1
6.	1/4" Shear Nut	AN364-428A	2
7.	3/16" Bolt	AN3-10A	1
8.	3/16" Plastic Washer	PW-3	4
9.	3/16" Shear Nut	AN364-1032A	3
10.	1/4" Bolt	AN4-13A	1
11.	Wing Root Attach	KP-103	1
12.	Wing Root Attach - Extension	KP-103-4	1
13.	3/16" Nut Plate	K-1000-3	2
14.	3/32" Aluminum Rivet	40APR1/8	4
15.	Wing Tip Pivot - Spindle	KP-117-1	1
16.	Wing Tip Pivot - Retainer	KP-117-2	1
17.	3/16" Bolt	AN3-15A	1
18.	3/16" Bolt	AN3-21A	1
19.	3/16" Bolt	AN3-13A	1
20.	1/4" Bolt	AN4-15A	1



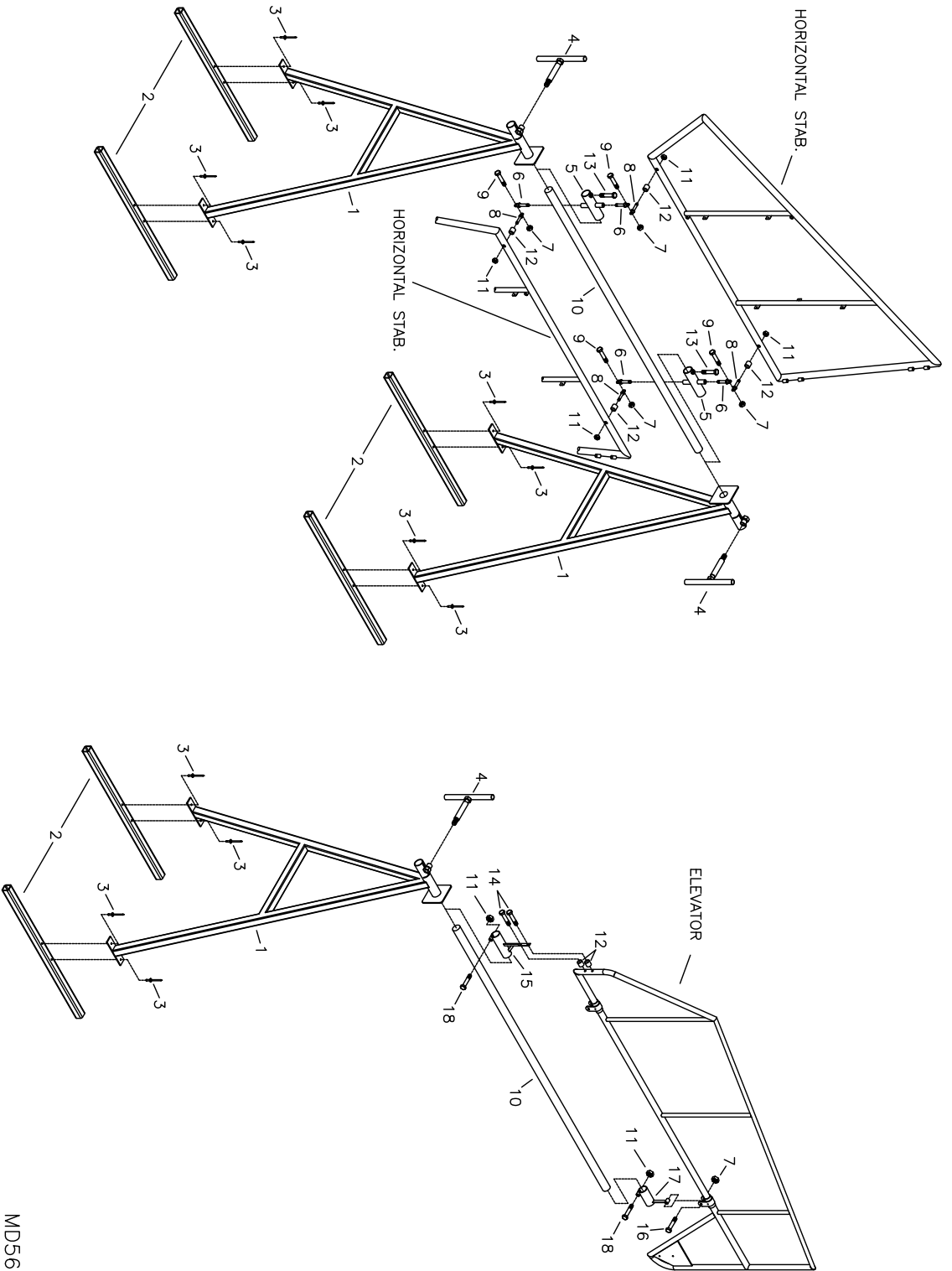
RRR MOORE S-75 COURIER
COVER / PAINT STANDS - FLAPS & AILERONS

MD5628
 REV. - ORIG

RANS S-7S COURIER - COVER / PAINT STANDS - FLAPS & AILERONS

Builder Constructed - refer to Figure Manual for Prints

#	DESCRIPTION	PART NUMBER	QUANTITY
1.	A-Frame Stand	KP-100	2
2.	A-Frame Stand - Base	KP-100-5	4
3.	3/16" Aluminum Rivet - Cherry Q	AAPQ-64	8
4.	"T" Lock Handle	KP-107	2
5.	Paint Stand	KP-108	2
6.	3/16" Eye Bolt	AN42B-12A	4
7.	3/16" Shear Nut	AN364-1032A	12
8.	3/16" Eye Bolt	AN42B-22A	4
9.	3/16" Bolt	AN3-4A	4
10.	1" x 8.5 ft - Tube or Dowel	-----	0
11.	3/16" Bolt	AN3-7A	8
12.	3/16" Thin Washer	AN960-10L	8
13.	Aileron Attach	KP-118	4
14.	1/4" Plain Bolt	KSHW0016	2



RRFND S-7S COURIER

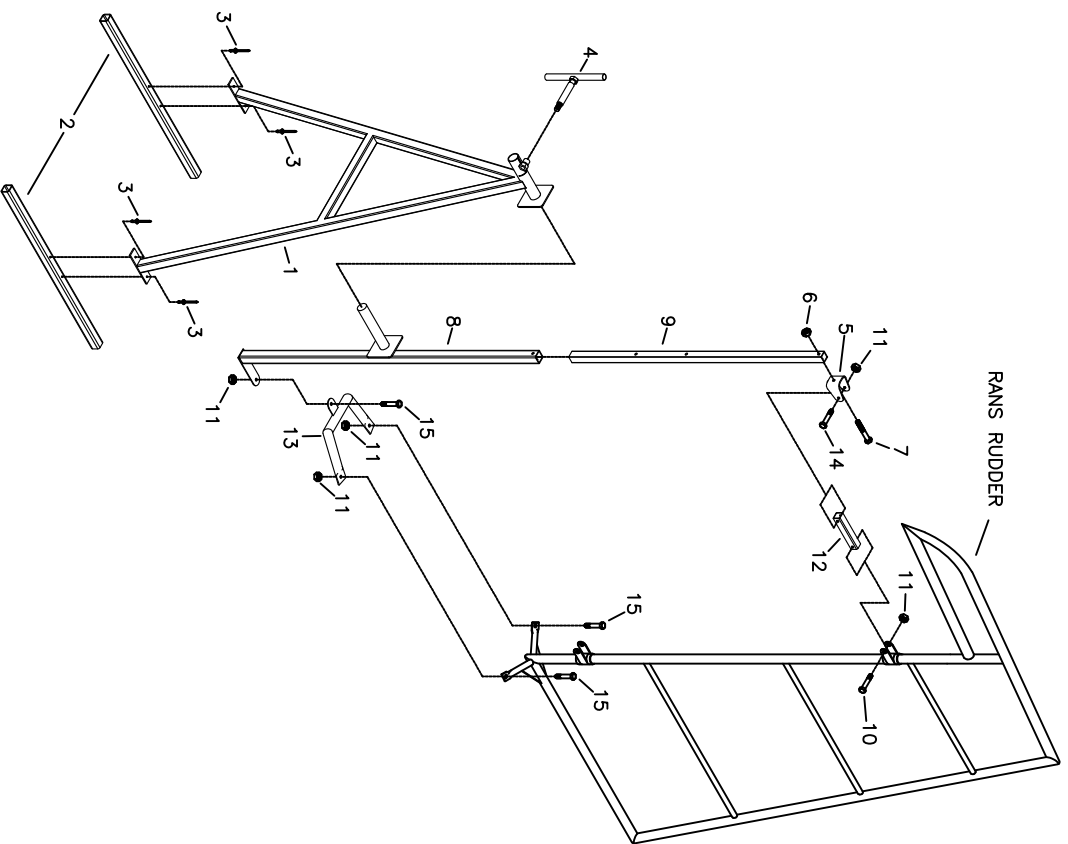
COVER / PAINT STANDS - HORIZONTAL STABILIZERS & ELEVATORS

MD5626
REV. - ORIG

RANS S-7S COURIER - COVER / PAINT STANDS - HORZ. STABS & ELEVATORS

Builder Constructed - refer to Figure Manual for Prints

#	DESCRIPTION	PART NUMBER	QUANTITY
1.	A-Frame Stand	KP-100	2
2.	A-Frame Stand - Base	KP-100-5	4
3.	3/16" Aluminum Rivet - Cherry Q	AAPQ-64	8
4.	"T" Lock Handle	KP-107	2
5.	Paint Stand	KP-109	2
6.	3/16" Eye Bolt	AN42B-12A	4
7.	3/16" Shear Nut	AN364-1032A	8
8.	1/4" Eye Bolt	AN43B-20A	4
9.	3/16" Bolt	AN3-4A	4
10.	1" x 8.5 ft - Tube or Dowel	-----	0
11.	1/4" Shear Nut	AN364-428A	8
12.	Aluminum Spacer Bushing - 3/8" x .058" x 1/2"	-----	0
13.	1/4" Plain Bolt	KSHW0016	2
14.	3/16" Bolt	AN3-17A	4
15.	Elevator Root Attach	KP-119	2
16.	3/16" Bolt	AN3-14A	2
17.	Elevator Outer Attach	KP-120	2
18.	1/4" Bolt	AN4-15A	4



Randa S-7S COURIER
COVER / PAINT STANDS - RUDDER

MD5627
 REV. - ORIG

RANS S-7S COURIER - COVER / PAINT STANDS - RUDDER

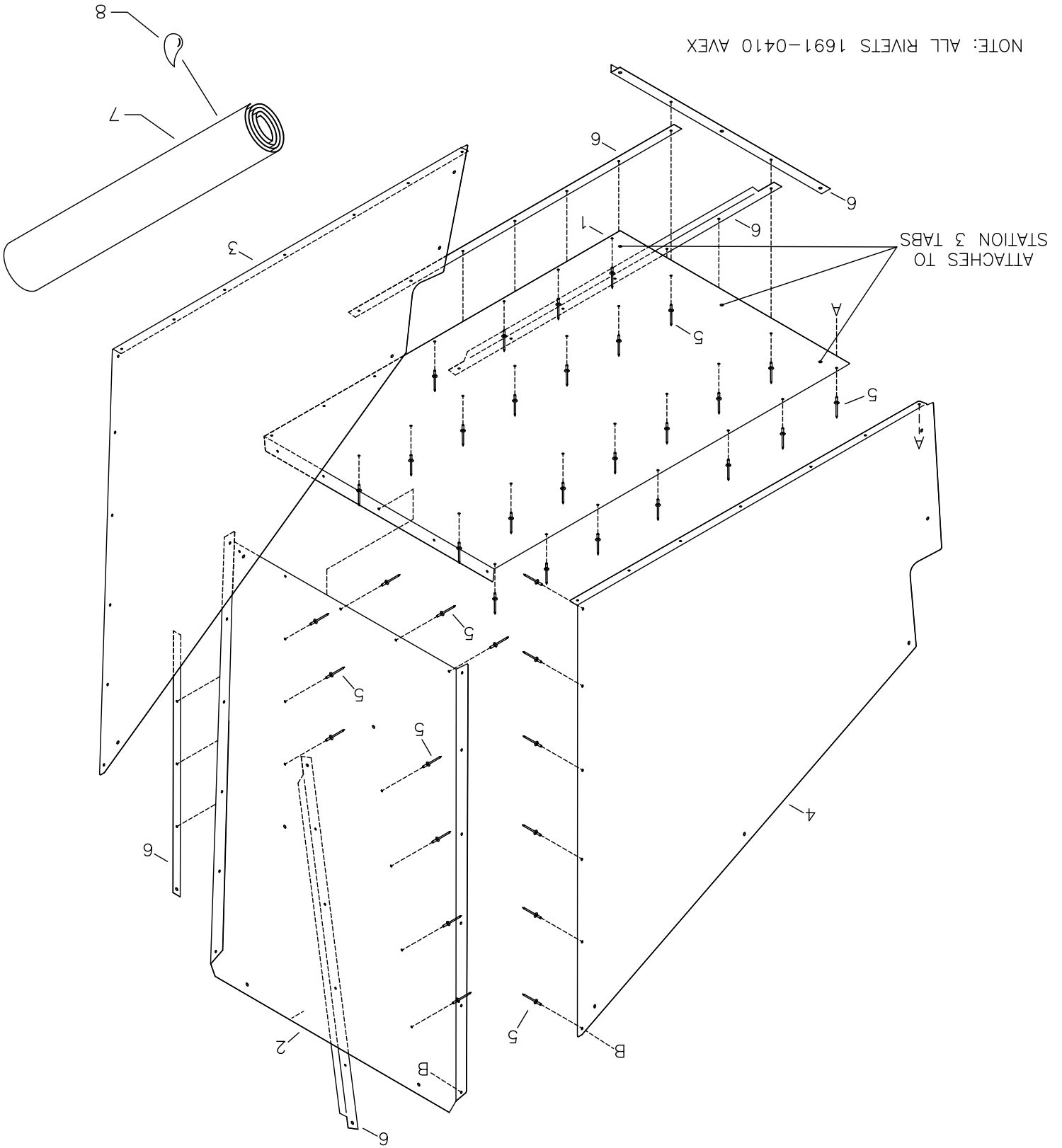
Builder Constructed - refer to Figure Manual for Prints

#	DESCRIPTION	PART NUMBER	QUANTITY
1.	A-Frame Stand	KP-100	1
2.	A-Frame Stand - Base	KP-100-5	2
3.	3/16" Aluminum Rivet - Cherry Q	AAPQ-64	4
4.	"T" Lock Handle	KP-107	1
5.	1" Stainless Steel U-Bracket	SU-118	1
6.	1/4" Shear Nut	AN364-428A	1
7.	1/4" Bolt	AN4-13A	1
8.	Wing Root Attach	KP-103	1
9.	Wing Root Attach - Extension	KP-103-4	1
10.	3/16" Bolt	AN3-14A	1
11.	3/16" Shear Nut	AN364-1032A	5
12.	Upper Rudder Support Tube	KP-121	1
13.	Lower Rudder Support	KP-122	1
14.	3/16" Bolt	AN3-15A	1
15.	3/16" Bolt	AN3-4A	3

BAGGAGE COMPARTMENT ASSEMBLY

RRRNS S-7S COURIER

MDS631



S-7S COURIER - BAGGAGE COMPARTMENT ASSEMBLY

#	DESCRIPTION	PART NUMBER	QUANTITY
1.	Bottom - Baggage Compartment	KPIN0102	1
2.	Back - Baggage Compartment	KPIN0103	1
3.	Side Panel - Baggage Compartment - LH	KPIN0104-L	1
4.	Side Panel - Baggage Compartment - RH	KPIN0104-R	1
5.	1/8" Aluminum Rivet - Avex	1691-0410	52
6.	Support Angle - Baggage Compartment *	KPIN0096	3
7.	Baggage Compartment Fabric - Optional **	----	2 yds
8.	Contact Cement Adhesive - 3M Super 77 Spray ***	----	0

* Builder Modifies

** May be purchased seperately, call RANS PARTS DEPT. for pricing

*** Builder Supplied

9/1/2014

RANDS S-7S COURIER BAGGAGE COMPARTMENT INSTALLATION

MD5631

*** REFER TO CARGO NET INSTALLATION
FOR HARDWARE

** REFER TO STATION 3 CLOSE OUT
INSTALLATION FOR HARDWARE

* TYPICAL

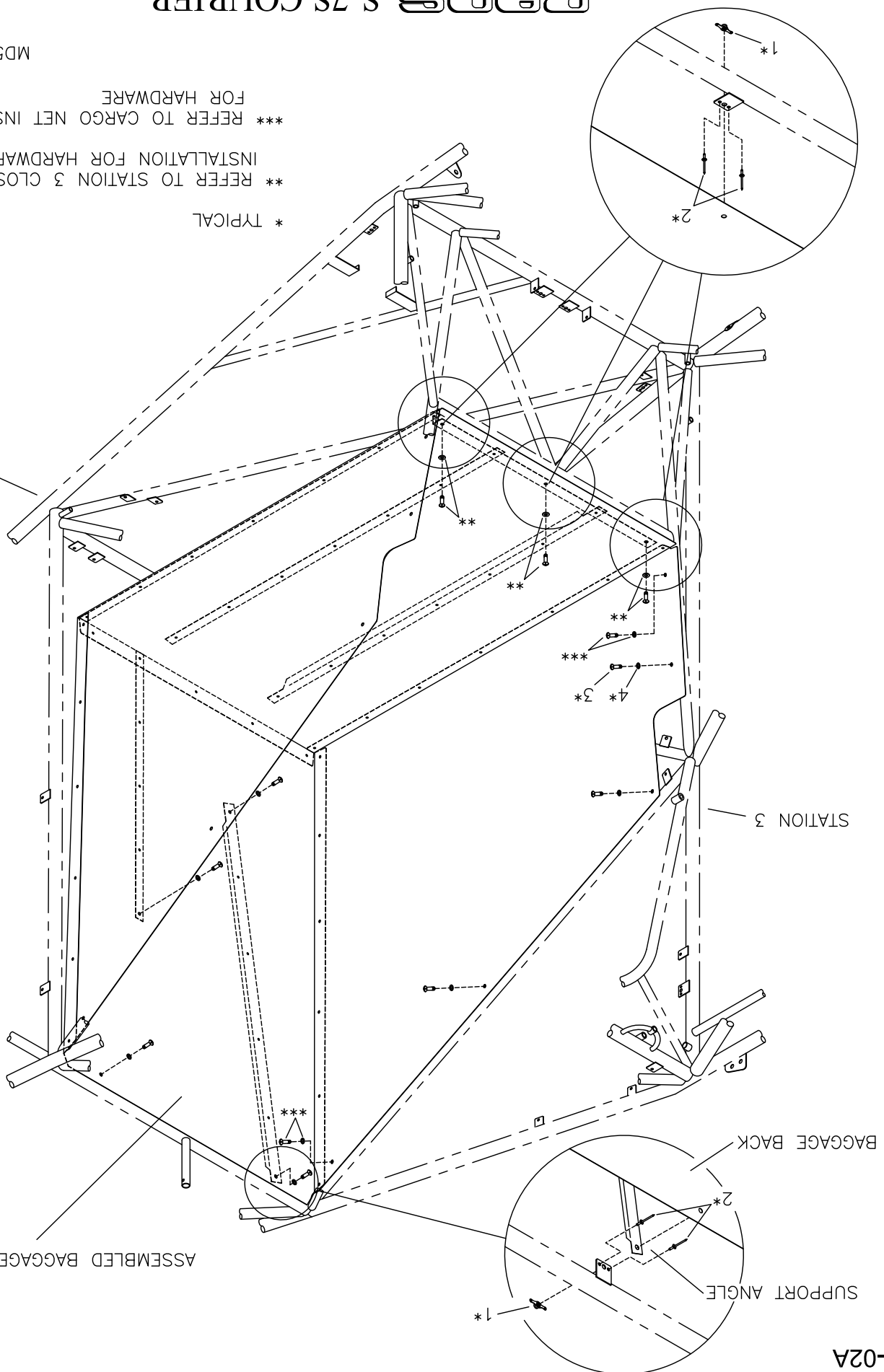
ASSEMBLED BAGGAGE COMPARTMENT

STATION 4

STATION 3

BAGGAGE BACK

SUPPORT ANGLE

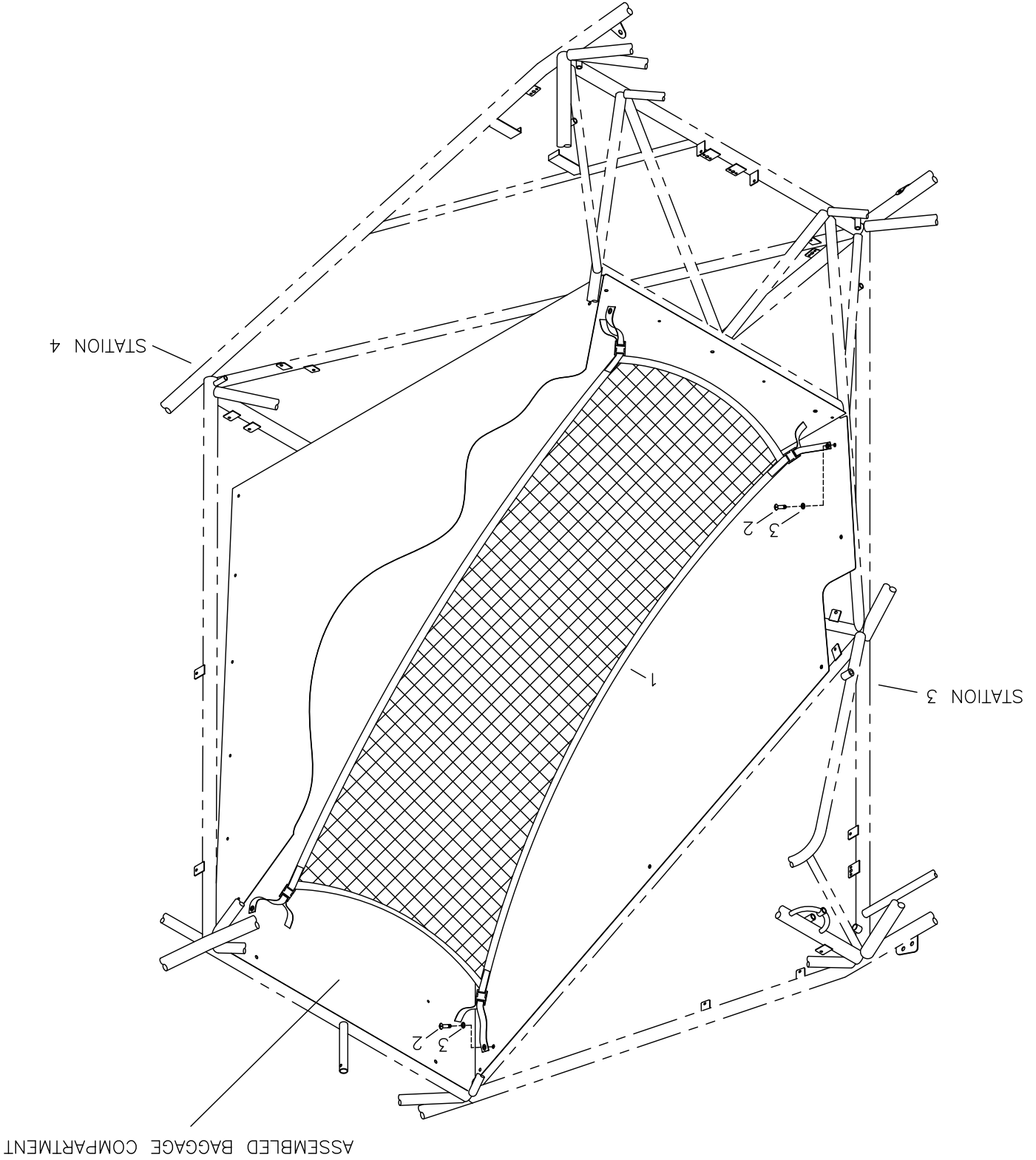


S-7S COURIER - BAGGAGE COMPARTMENT INSTALLATION

#	DESCRIPTION	PART NUMBER	QUANTITY
1.	8-32 Nut Plates	MS21047-08	17
2.	3/32" Aluminum Rivet	40APR1/8	34
3.	8-32 Machine Screw	AN526-832R10	10
4.	#8 Small Brass Washer	AN960-B8	10

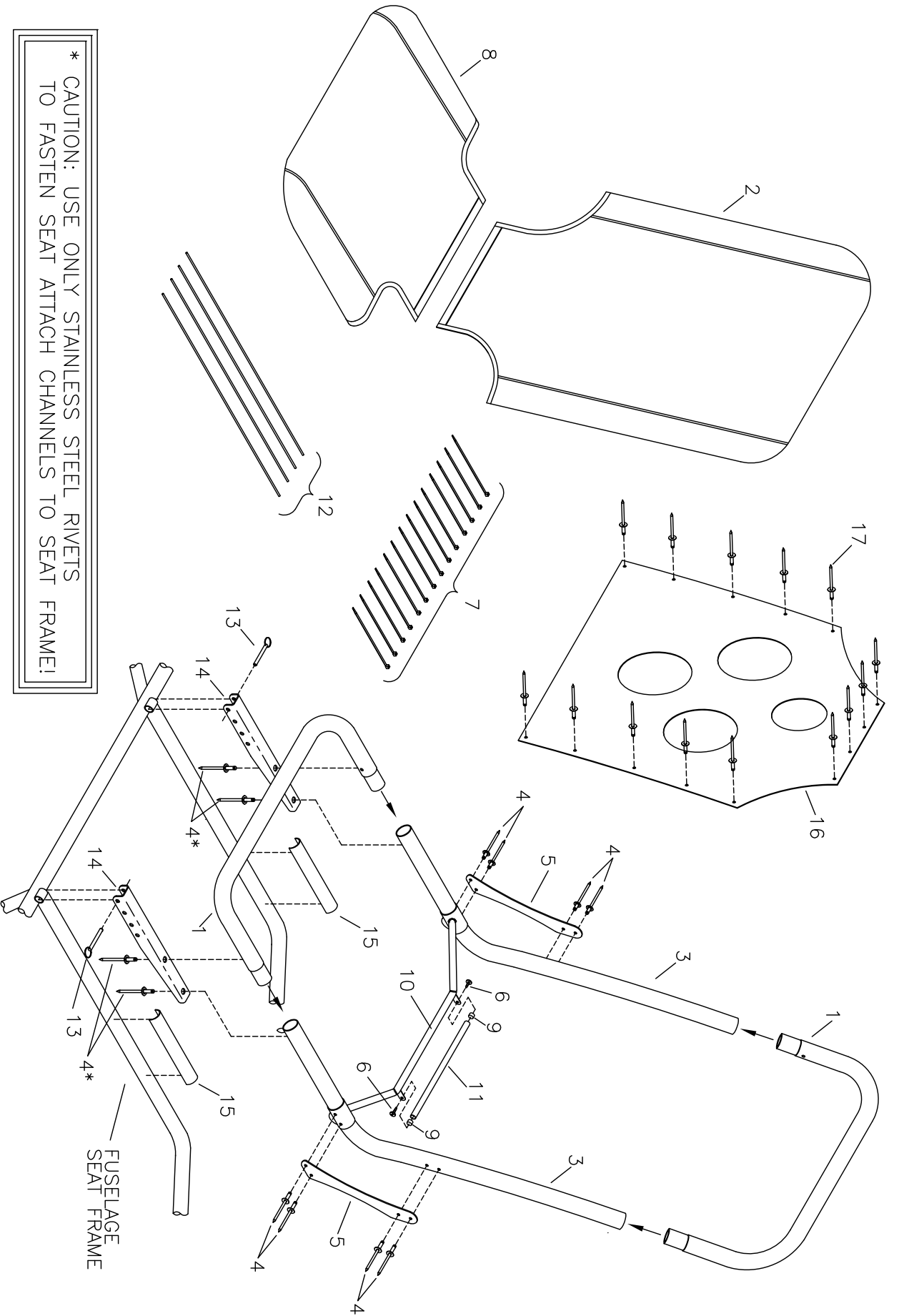
RPNRS S-7S COURIER CARGO NET INSTALLATION

MDS631



S-7S COURIER - CARGO NET INSTALLATION

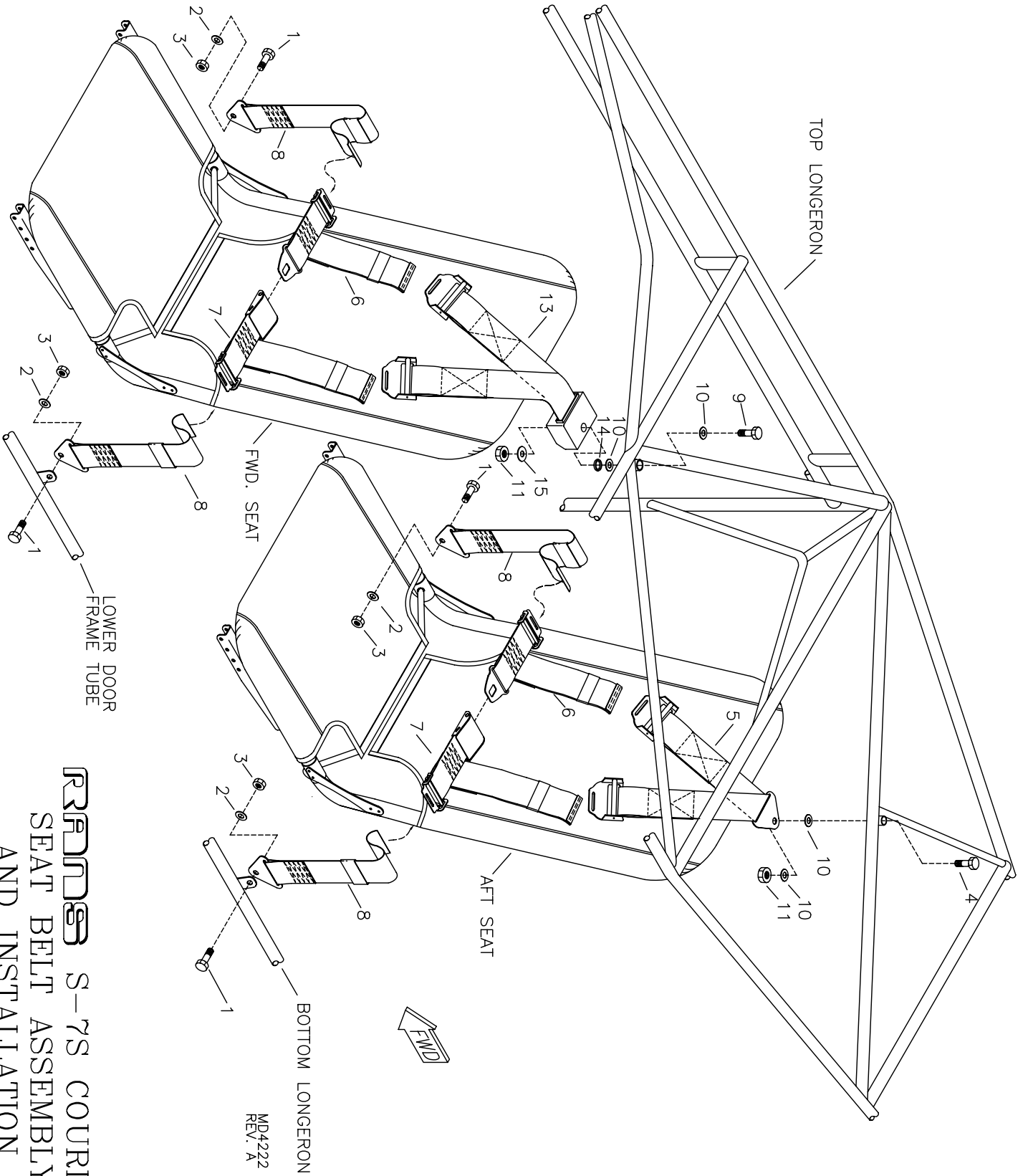
#	DESCRIPTION	PART NUMBER	QUANTITY
1.	Cargo Net	KPIN0114	1
2.	8-32 Machine Screw	AN526-832R10	4
3.	#10 SS Washer	BSHW0022	4



PRR-7S COURIER
SEAT ASSEMBLY AND INSTALLATION

MD4221
 REV. A

#	DESCRIPTION	PART NUMBER	QUANTITY
1.	Seat End Tube	ST-TOP	4
2.	Back Cushion Assembly - Seat	KPST0008	2
3.	Seat Side Frame	KPST0006	4
4.	3/16" Stainless Steel Pop Rivet - Cherry Q	CCPQ-64	24
5.	Seat Corner Brace	KPST0028	4
6.	#6 Small Pan Head Screw - 6 x 1/2	6RX1/2 PHS	4
7.	Plastic Tie-15"	LG-N-TIE	30
8.	Bottom Cushion Seat Assembly	KPST0007	2
9.	End Plug	KPST0009	4
10.	Seat Tensioning Bracket Assembly	KPST0003	2
11.	Seat Tensioning Rib	KPST0002	2
12.	Stainless Steel Wire, 3/32"	TG-LW-3/32	8
13.	3/16" Quick Pin, 1"	SS-PIN-3/16X15/16	4
14.	Seat Attach Channel	KPST0004	4
15.	Anti-Chafe Tape	KSAC0035	2 ft
16.	Seat Back Plate	KPST0107	2
17.	1/8" Aluminum Rivet - Avex	1691-0410	28



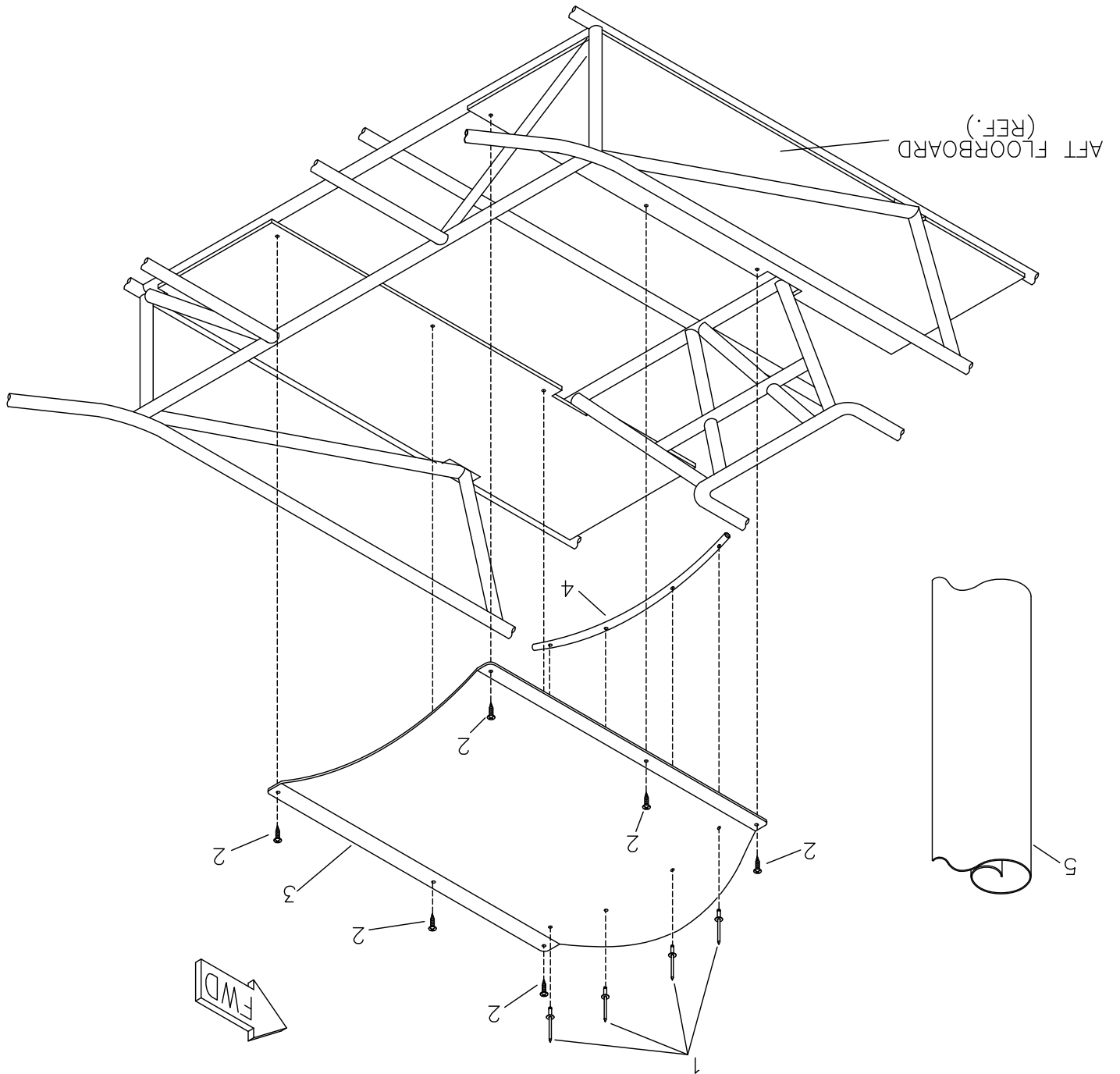
RR-7S COURIER
SEAT BELT ASSEMBLY
AND INSTALLATION

#	DESCRIPTION	PART NUMBER	QUANTITY
1.	1/4" Bolt	AN4-5A	4
2.	1/4" Thick Washer	AN960-416	4
3.	1/4" Shear Nut	AN364-428A	4
4.	5/16" Bolt	AN5-12A	1
5.	Upper Shoulder Belt*	KAST0005	0
6.	Lower Shoulder Belt - Buckle Side*	KAST0007	0
7.	Lower Shoulder Belt - Clip Side*	KAST0006	0
8.	Lap Belt*	KAST0004	0
9.	5/16" Bolt	AN5-13A	1
10.	5/16" Thick Washer	AN960-516	4
11.	5/16" Tensile Nut	AN365-524A	2
12.	Seat Belt Kit (Includes item 5-8)	KAST0008	1
13.	Inertia Reel Harness	KAST0031	1
14.	Spacer Bushing	KPAC0215	1
15.	3/16" Large Washer	AN970-3	1

*Supplied in Seat Belt Kit

RANDS S-7S COURIER RUDDER CABLE GUARD INSTALLATION

MD4223
REV. A

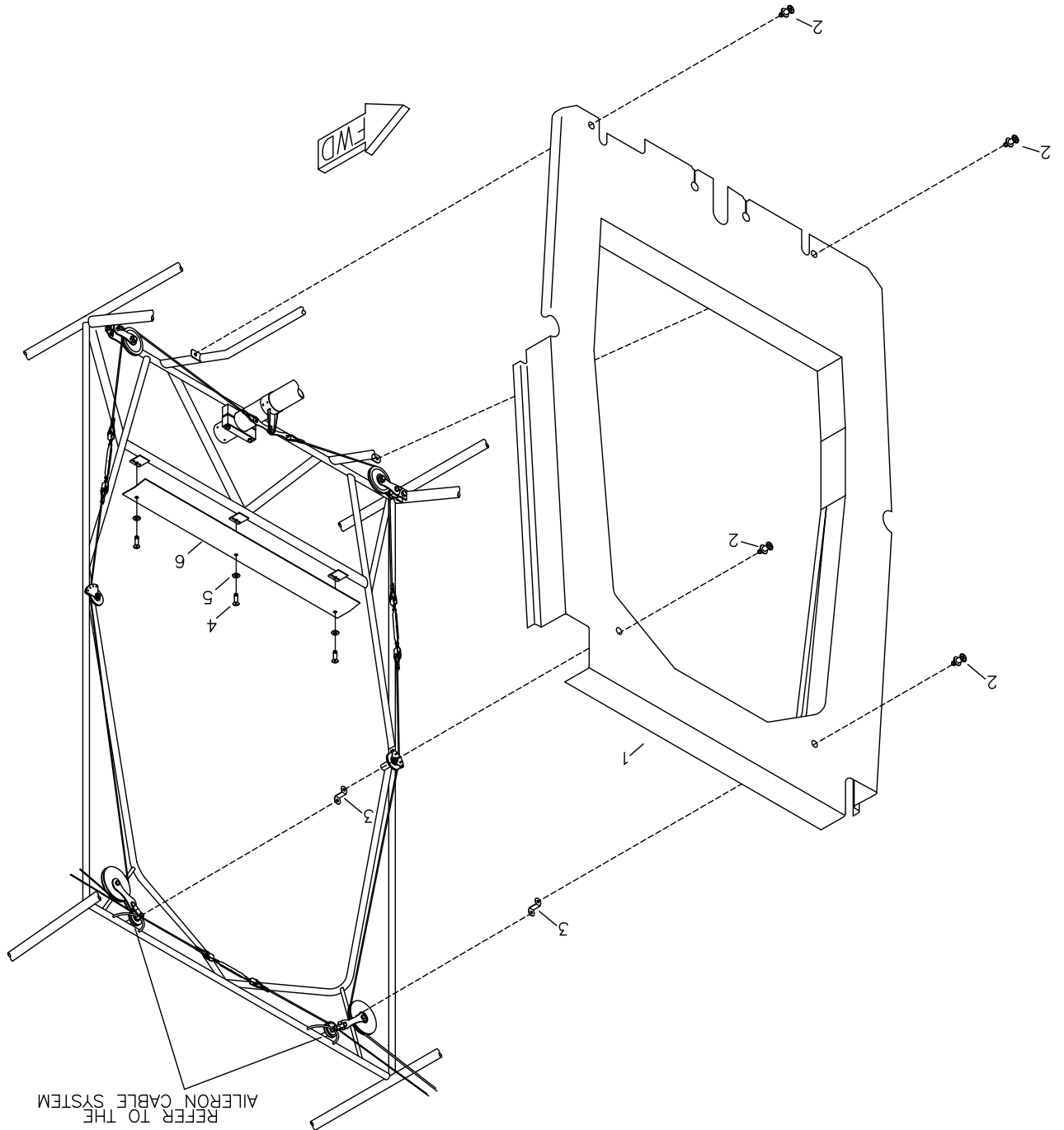


S-7S COURIER - RUDDER CABLE GUARD INSTALLATION

#	DESCRIPTION	PART NUMBER	QUANTITY
1.	1/8" Aluminum Rivet - Cherry Q	AAPQ-41	4
2.	#8 Pan Head Screw	8X1/2 PHS	6
3.	Rudder Cable Guard	KPIN0035	1
4.	Support Tube - Rudder Cable Guard	KPIN0036	1
5.	Fabric - Rudder Cable Guard	KPIN0058	1

RANDS S-7S COURIER STATION 3 CLOSE OUT INSTALLATION

MD4224



S-7S COURIER - STATION 3 CLOSE OUT INSTALLATION

#	DESCRIPTION	PART NUMBER	QUANTITY
1.	Station 3 Close Out	KPIN0111	1
2.	Screw Rivet	M60-0580-01	4
3.	Attach Bracket *	KPAC0132	0
4.	8-32 Machine Screw	AN526-832R10	3
5.	3/16" Plastic Washer	PW-3	3
6.	Station 3 Close Out - Hold Down Strip **	KPIN0116	1

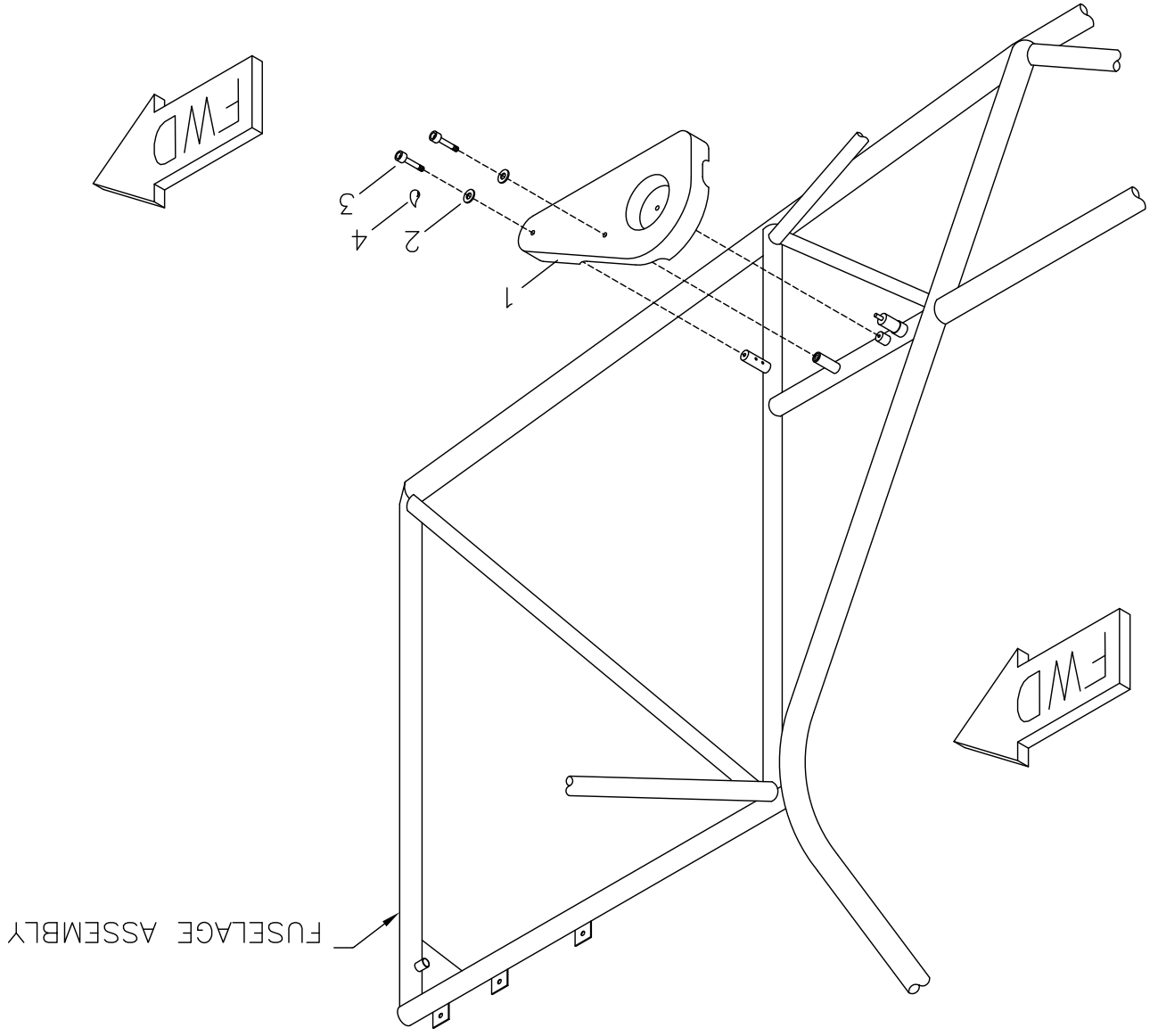
*Referenced from Aileron Cable System

** Builder Modifies

9/1/2014

RFDMS S-7S COURIER THROTTLE CABLE COVER INSTALLATION

MD4225



S-7S COURIER - THROTTLE CABLE COVER INSTALLATION

#	DESCRIPTION	PART NUMBER	QUANTITY
1.	Throttle Cable Cover	KPIN0112	1
2.	3/16" Plastic Washer	PW-3	2
3.	Socket Head Cap Screw	T-SC	2
4.	Loctite Blue *	-----	0

* Builder Supplied

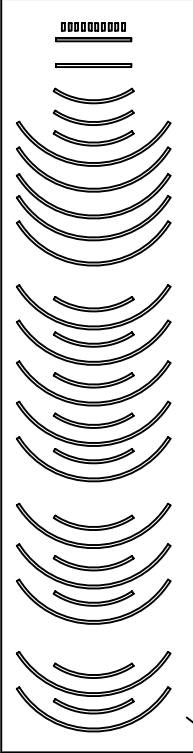
PLACARDS/LABELS/MARKERS

MD4391

FRONT S-7S

EXPERIMENTAL

PASSENGER WARNING
 THIS AIRCRAFT IS MATERIALLY BUILT AND DOES NOT COMPLY WITH THE FEDERAL SAFETY REGULATIONS FOR STANDARD AIRCRAFT



WARNING

AIRCRAFT FLIGHT CAN BE DANGEROUS. FLY AT YOUR OWN RISK!

WARNING

Do Not Fly Pilot in Command or Give Flight Instruction
 From Rear Seat Unless Equipped With Rear Seat
 Airspeed Indicator.

**SOLO FLIGHT FROM
 FRONT SEAT ONLY**

CAUTION

THESE PLACARDS ARE PROVIDED FOR YOUR INFORMATION. REQUIRED USE GUIDELINES SUPPLIED IN THE PILOT CHECKLIST ADJUNCT. FLY AT YOUR OWN RISK.

CAUTION

Monitor your fuel and oil level to ensure an adequate reserve for a safe landing.

IMPORTANT

For use with the following:
 Validated On:
 "SERVICE BULLETIN INFORMATION"
 4600 HIGHWAY 133 ALTERNATE
 DUNSMITH, ONTARIO CANADA
 (785) 625-5294 FAX: (785) 625-2795

FUEL TANK CAPACITY

90 GALLONS (34.0 LITERS)
 APPROXIMATE FUEL

WARNING: THE INSTRUMENTS AVAILABLE FOR BUREAU OF AERONAUTICS AIRCRAFT ARE NOT APPROVED FOR BUREAU OF AERONAUTICS AIRCRAFT.

WARNING

A complete ground school and flight instructor program is required by Federal Aviation Regulations and a thorough knowledge of the aircraft is required before attempting flight. It is required to perform the required maintenance before the aircraft flight program is attempted. Such activity is subject to mishap, injury and even death when good judgment is not used. Flight program is not intended to be used as a substitute for a flight instructor. The pilot acknowledges and/or coming near such obstacle or terrain as necessary to ensure safe flight.

THIS AIRCRAFT IS NOT APPROVED FOR AERONAUTICS MANEUVERS. PILOTS MAY NOT EXCEED 30° ANGLE OF BANK AND 6000 FT ALTITUDE. ALWAYS FLY WITHIN POWER OF CLIMB DURING A SAFE LANDING AREA. OPERATION IN ACCORDANCE WITH FEDERAL AVIATION REGULATIONS IS REQUIRED. ALWAYS WEAR SEATBELT AND RESPONSIBLE ALCOHOL. FLIGHT SHOULD ONLY BE ATTEMPTED IN ACCEPTABLE AND SAFE WEATHER CONDITIONS AND WHEN YOU AND YOUR AIRCRAFT ARE IN AN AIR WORTHY CONDITION.

DO NOT FLY IN THE VICINITY OF POWER LINES, ELECTRICAL WIRES, POWER CABLES, OR OTHER OBSTACLES. CONTACT AND THE AIRCRAFT IS NOT TO BE OPERATED WITH THE ENGINE RUNNING. ALWAYS WEAR SEATBELT AND RESPONSIBLE ALCOHOL. FLIGHT SHOULD ONLY BE ATTEMPTED IN ACCEPTABLE AND SAFE WEATHER CONDITIONS AND WHEN YOU AND YOUR AIRCRAFT ARE IN AN AIR WORTHY CONDITION.

ONE DOOR OPEN IN FLIGHT ONLY. OPEN AT OR BELOW 60 MPH. DO NOT EXCEED 100 MPH.

ONE DOOR OPEN IN FLIGHT ONLY. OPEN AT OR BELOW 60 MPH. DO NOT EXCEED 100 MPH.

FUEL TANK CAPACITY

9.0 GALLONS US EACH WING

10.0 LITERS EACH WING

APPROXIMATE FUEL

WARNING: THE INSTRUMENTS AVAILABLE FOR BUREAU OF AERONAUTICS AIRCRAFT ARE NOT APPROVED FOR BUREAU OF AERONAUTICS AIRCRAFT.

FUEL TANK CAPACITY

13.0 GALLONS US EACH WING

15.0 LITERS EACH WING

APPROXIMATE FUEL

WARNING: THE INSTRUMENTS AVAILABLE FOR BUREAU OF AERONAUTICS AIRCRAFT ARE NOT APPROVED FOR BUREAU OF AERONAUTICS AIRCRAFT.

FUEL TANK CAPACITY

17.0 GALLONS US EACH WING

20.0 LITERS EACH WING

APPROXIMATE FUEL

WARNING: THE INSTRUMENTS AVAILABLE FOR BUREAU OF AERONAUTICS AIRCRAFT ARE NOT APPROVED FOR BUREAU OF AERONAUTICS AIRCRAFT.

FUEL TANK CAPACITY

21.0 GALLONS US EACH WING

25.0 LITERS EACH WING

APPROXIMATE FUEL

WARNING: THE INSTRUMENTS AVAILABLE FOR BUREAU OF AERONAUTICS AIRCRAFT ARE NOT APPROVED FOR BUREAU OF AERONAUTICS AIRCRAFT.

FUEL CAPACITY 7.5 GAL US

MINIMUM 1.0 GAL US

MAXIMUM 7.5 GAL US

APPROXIMATE FUEL

WARNING: THE INSTRUMENTS AVAILABLE FOR BUREAU OF AERONAUTICS AIRCRAFT ARE NOT APPROVED FOR BUREAU OF AERONAUTICS AIRCRAFT.

FUEL CAPACITY 10.0 GAL US

MINIMUM 1.0 GAL US

MAXIMUM 10.0 GAL US

APPROXIMATE FUEL

WARNING: THE INSTRUMENTS AVAILABLE FOR BUREAU OF AERONAUTICS AIRCRAFT ARE NOT APPROVED FOR BUREAU OF AERONAUTICS AIRCRAFT.

FUEL CAPACITY 12.5 GAL US

MINIMUM 1.0 GAL US

MAXIMUM 12.5 GAL US

APPROXIMATE FUEL

WARNING: THE INSTRUMENTS AVAILABLE FOR BUREAU OF AERONAUTICS AIRCRAFT ARE NOT APPROVED FOR BUREAU OF AERONAUTICS AIRCRAFT.

FUEL CAPACITY 15.0 GAL US

MINIMUM 1.0 GAL US

MAXIMUM 15.0 GAL US

APPROXIMATE FUEL

WARNING: THE INSTRUMENTS AVAILABLE FOR BUREAU OF AERONAUTICS AIRCRAFT ARE NOT APPROVED FOR BUREAU OF AERONAUTICS AIRCRAFT.

FUEL CAPACITY 17.5 GAL US

MINIMUM 1.0 GAL US

MAXIMUM 17.5 GAL US

APPROXIMATE FUEL

WARNING: THE INSTRUMENTS AVAILABLE FOR BUREAU OF AERONAUTICS AIRCRAFT ARE NOT APPROVED FOR BUREAU OF AERONAUTICS AIRCRAFT.

FUEL CAPACITY 20.0 GAL US

MINIMUM 1.0 GAL US

MAXIMUM 20.0 GAL US

APPROXIMATE FUEL

WARNING: THE INSTRUMENTS AVAILABLE FOR BUREAU OF AERONAUTICS AIRCRAFT ARE NOT APPROVED FOR BUREAU OF AERONAUTICS AIRCRAFT.

FUEL CAPACITY 22.5 GAL US

MINIMUM 1.0 GAL US

MAXIMUM 22.5 GAL US

APPROXIMATE FUEL

WARNING: THE INSTRUMENTS AVAILABLE FOR BUREAU OF AERONAUTICS AIRCRAFT ARE NOT APPROVED FOR BUREAU OF AERONAUTICS AIRCRAFT.

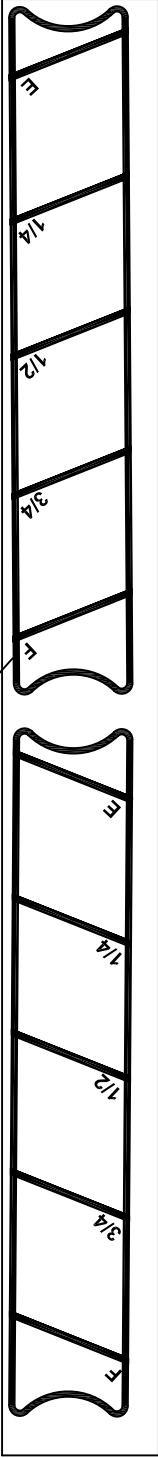
FUEL CAPACITY 25.0 GAL US

MINIMUM 1.0 GAL US

MAXIMUM 25.0 GAL US

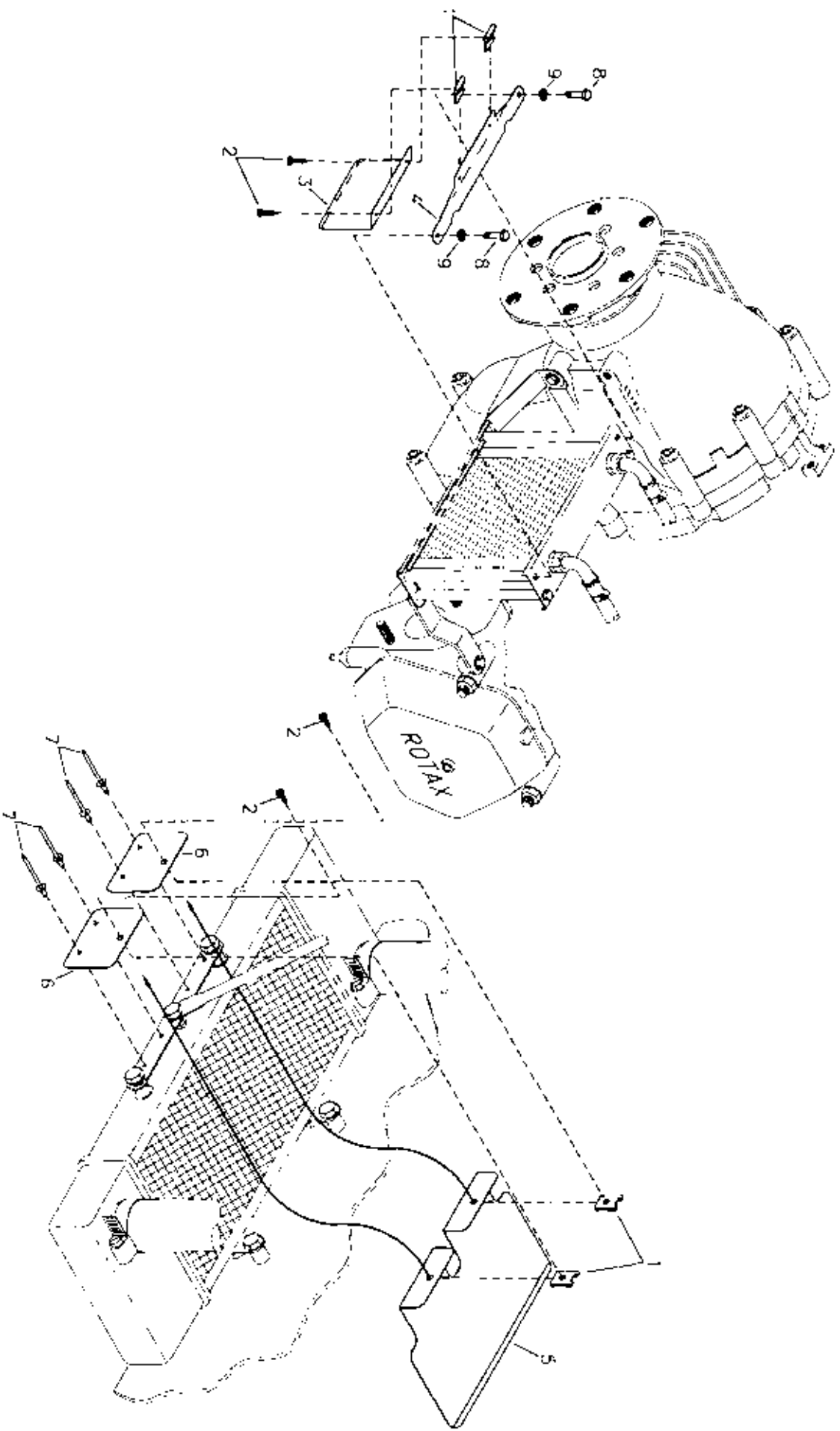
APPROXIMATE FUEL

WARNING: THE INSTRUMENTS AVAILABLE FOR BUREAU OF AERONAUTICS AIRCRAFT ARE NOT APPROVED FOR BUREAU OF AERONAUTICS AIRCRAFT.



#	DESCRIPTION	PART NUMBER	QUANTITY
1.	Placards	KPPL0006	1
2.	Warning Label	KPPL0001	1
3.	Range Decals	RANGE DECAL	1
4.	Fuel Sight Gauge Decal - LH	KPPL0024-L	1
4.	Fuel Sight Gauge Decal - RH	KPPL0024-R	1
5.	Experimental Decal	KPPL0007	1
6.	Passenger Warning Decal	KPPL0008	1

RRD100 S-7S COURIER
OPTIONS - WINTERIZATION KIT



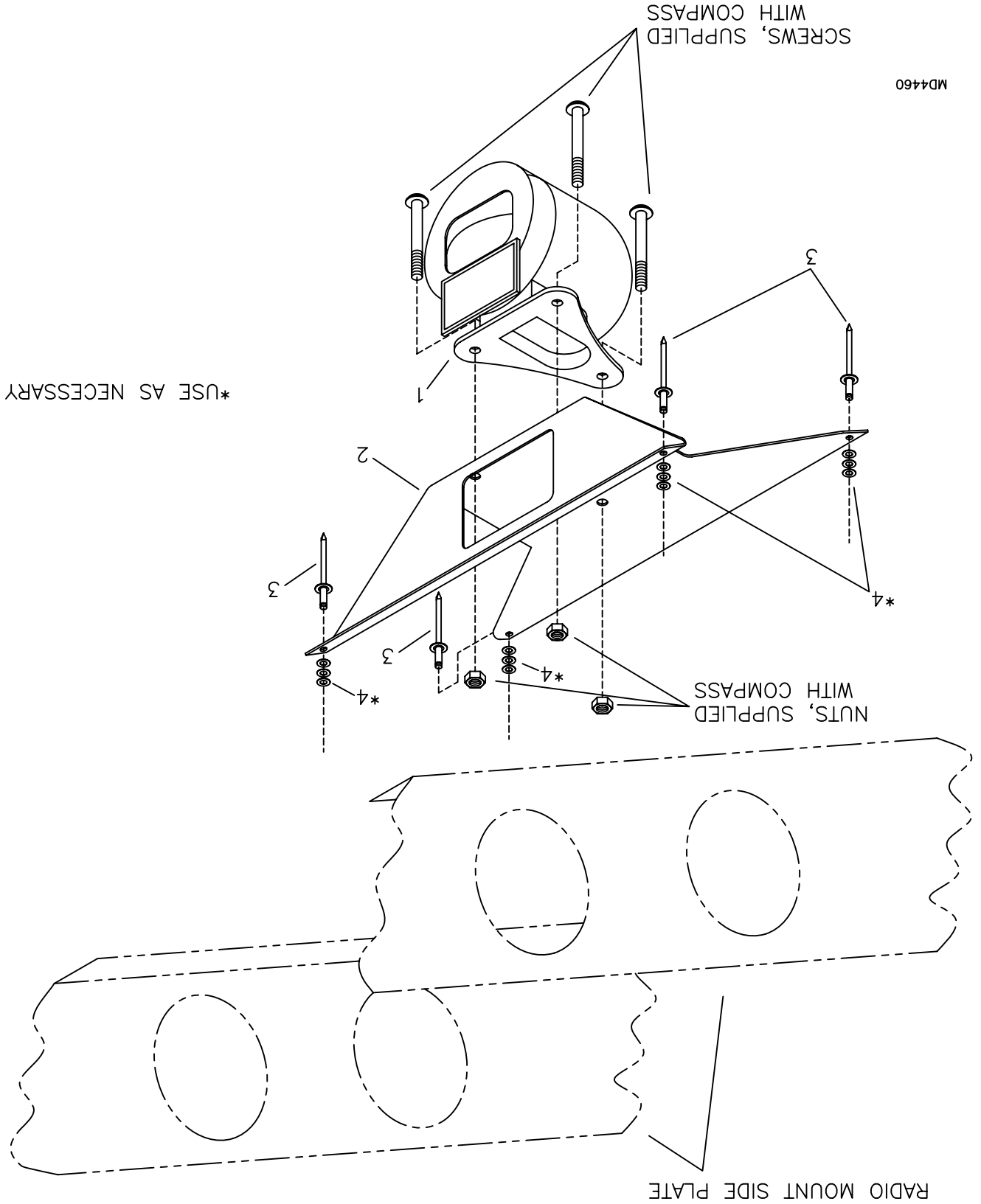
MD4-30

#	DESCRIPTION	PART NUMBER	QUANTITY
1.	Tinnerman	A1789-8Z-1	4
2.	#8 Pan Head ScreW	8X1/2 PHS	4
3.	Oil Cooler Cover	KPSY0058	1
4.	Oil Cooler Cover - Mount Plate	KPSY0059	1
5.	Radiator Cover	KPSY0060	1
6.	Radiator Cover - Mount Plate	KPSY0061	2
7.	1/8" Aluminum Pop Rivet	AAPQ-43	4
8.	3/16" Bolt*	AN3-4A	0
9.	3/16" Thin Washer*	AN960-10L	0

*Supplied with oil cooler

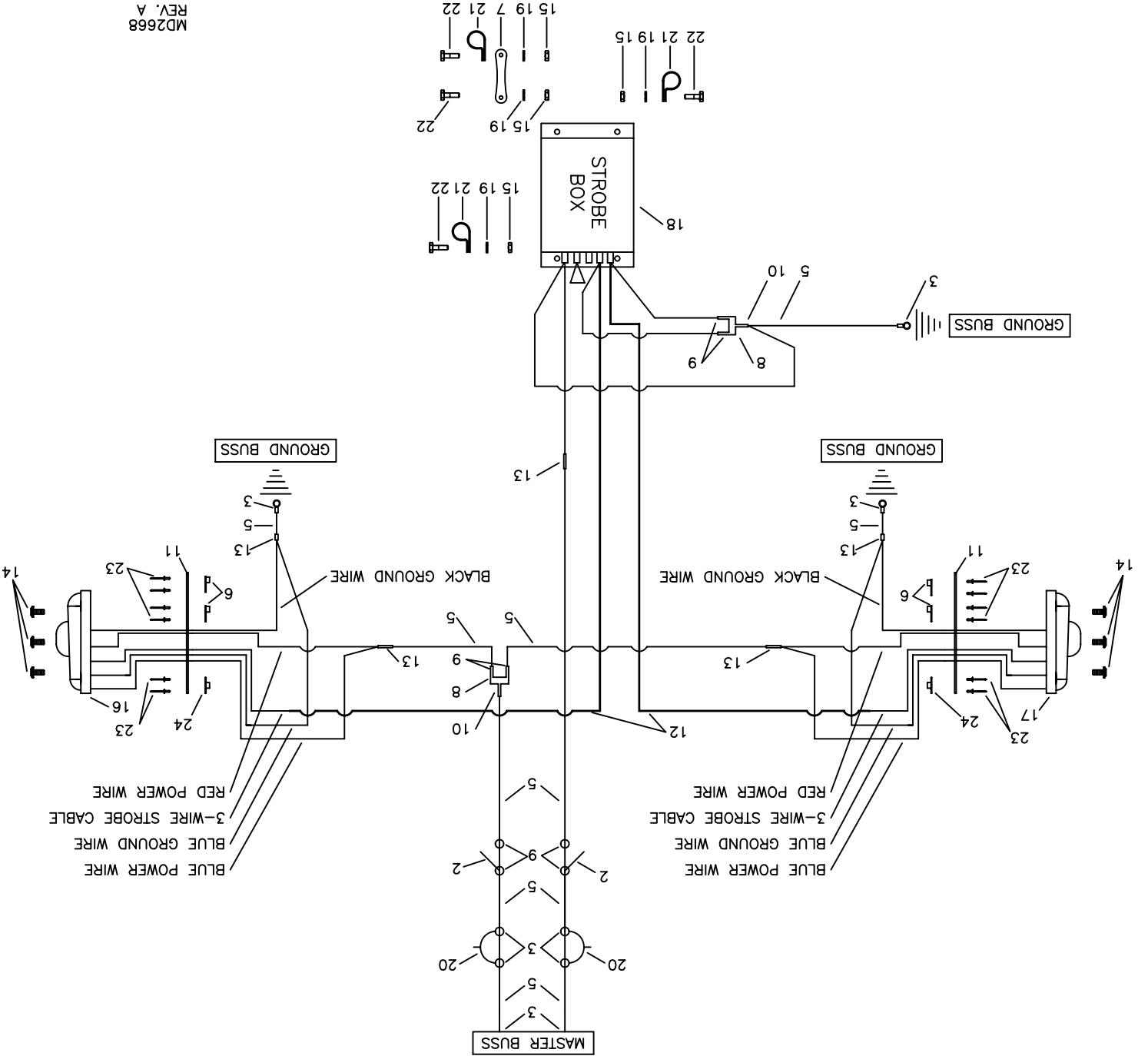
RRMS S-7S COURIER OPTIONAL COMPASS MOUNT INSTALLATION

MD4460



#	DESCRIPTION	PART NUMBER	QUANTITY
1.	Compass	KSAV0011	1
2.	Compass Mount	KPIP0028	1
3.	3/16" Aluminum Pop Rivet - Cherry Q	AAPQ-62	4
4.	3/16" Thin Washer	AN960-10L	16

RAND S-7S COURIER OPTIONAL WHEEL STROBE INSTALLATION

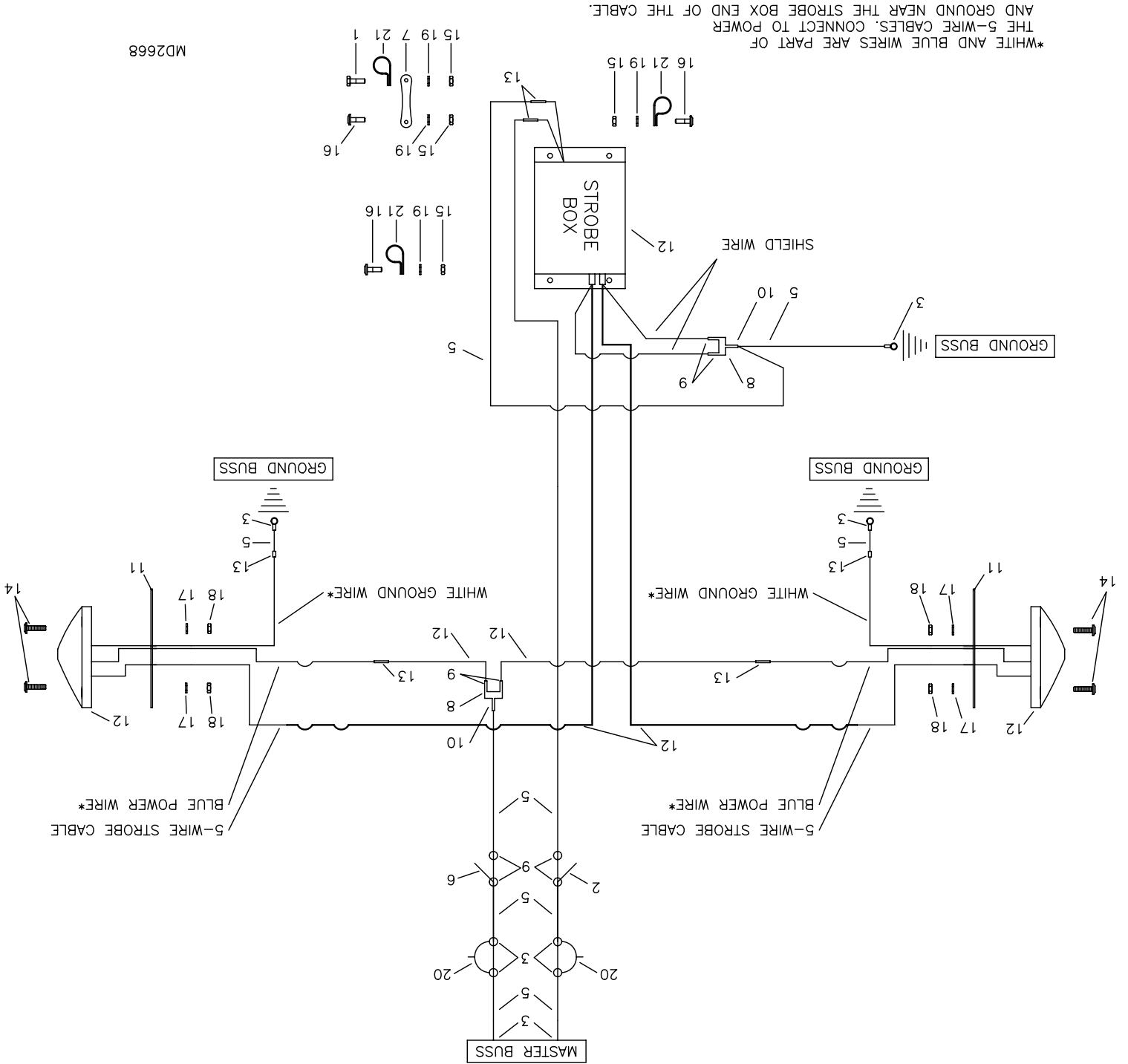


MD2668
REV. A

#	DESCRIPTION	PART NUMBER	QUANTITY
1.	Key Start Switch *	25-6	0
2.	Rocker Switch	KSES0016	2
3.	14 Gauge Eye Terminal, Blue, 5/32"	KSES0003	9
4.	14 Gauge Eye Terminal, Blue 3/16"	IP-7102	2
5.	14 Gauge White Wire	14 GA WIRE/WHITE	80 ft
6.	8-32 Single Ear Nut Plate	MS21051-08	4
7.	TANG	KPAC0038	1
8.	Terminal Y Connector, Brass	IP-YC	2
9.	14 Gauge Female Spade Terminal, Blue	IP-7128	8
10.	14 Gauge Male Spade Terminal, Blue	IP-7126	3
11.	Navigation Light Mount	KPW10472	2
12.	Whelen Installation & Cable	HD-60	1
13.	14 Gauge Splice, Butt Connector	IP-7132	5
14.	8/32" Truss Head Bolt	AN515-8R7	6
15.	3/16" Shear Nut	AN364-1032A	4
16.	Whelen Left Strobe Light	A600-PR	1
17.	Whelen Right Strobe Light	A600-PG	1
18.	Whelen Strobe Light Power Supply	A413A, HDA-DF	1
19.	3/16" Thin Washer	AN960-10L	4
20.	10 AMP Circuit Breaker	KSES0013	2
21.	5/8" Cushioned Clamp	MS21919-DG10	3
22.	3/16" Bolt	AN3-4A	4
23.	3/32" Aluminum Pop Rivet	40APR1/4	12
24.	8-32 Nut Plate	MS21047-08	2

*Referenced from Instruments & Electrical.

RPM S-7S COURIER OPTIONAL KUNTZLEMAN STROBE INSTALLATION



MD2668

*WHITE AND BLUE WIRES ARE PART OF THE 5-WIRE CABLES. CONNECT TO POWER AND GROUND NEAR THE STROBE BOX END OF THE CABLE.

#	DESCRIPTION	PART NUMBER	QUANTITY
1.	3/16" Bolt	AN3-4A	1
2.	Rocker Switch	KSES0016	2
3.	14 Gauge Eye Terminal, Blue, 5/32"	KSES0003	9
4.	14 Gauge Eye Terminal, Blue 3/16"	IP-7102	2
5.	14 Gauge White Wire	14 GA WIRE/WHITE	36 ft
6.	4 Amp Circuit Breaker	KSES0014	1
7.	TANG	KPAC0038	1
8.	Terminal Y Connector, Brass	IP-YC	2
9.	14 Gauge Female Spade Terminal, Blue	IP-7128	8
10.	14 Gauge Male Spade Terminal, Blue	IP-7126	3
11.	Kuntzleman Strobe Mount Plate	KPW10519	2
12.	Kuntzleman Strobes	KSES0058	1
13.	14 Gauge Splice, Butt Connector	IP-7132	6
14.	8X32 Screw	AN526-832R16	4
15.	3/16" Shear Nut	AN364-1032A	4
16.	Pan Head Phillips Bolt	KSHW0071	3
17.	#8 Small Brass Washers	AN960-B8	4
18.	8X32 Nut	AN364-832A	4
19.	3/16" Thin Washer	AN960-10L	4
20.	2 AMP Circuit Breaker	KSES0012	1
21.	5/8" Cushioned Clamp	MS21919-DG10	3

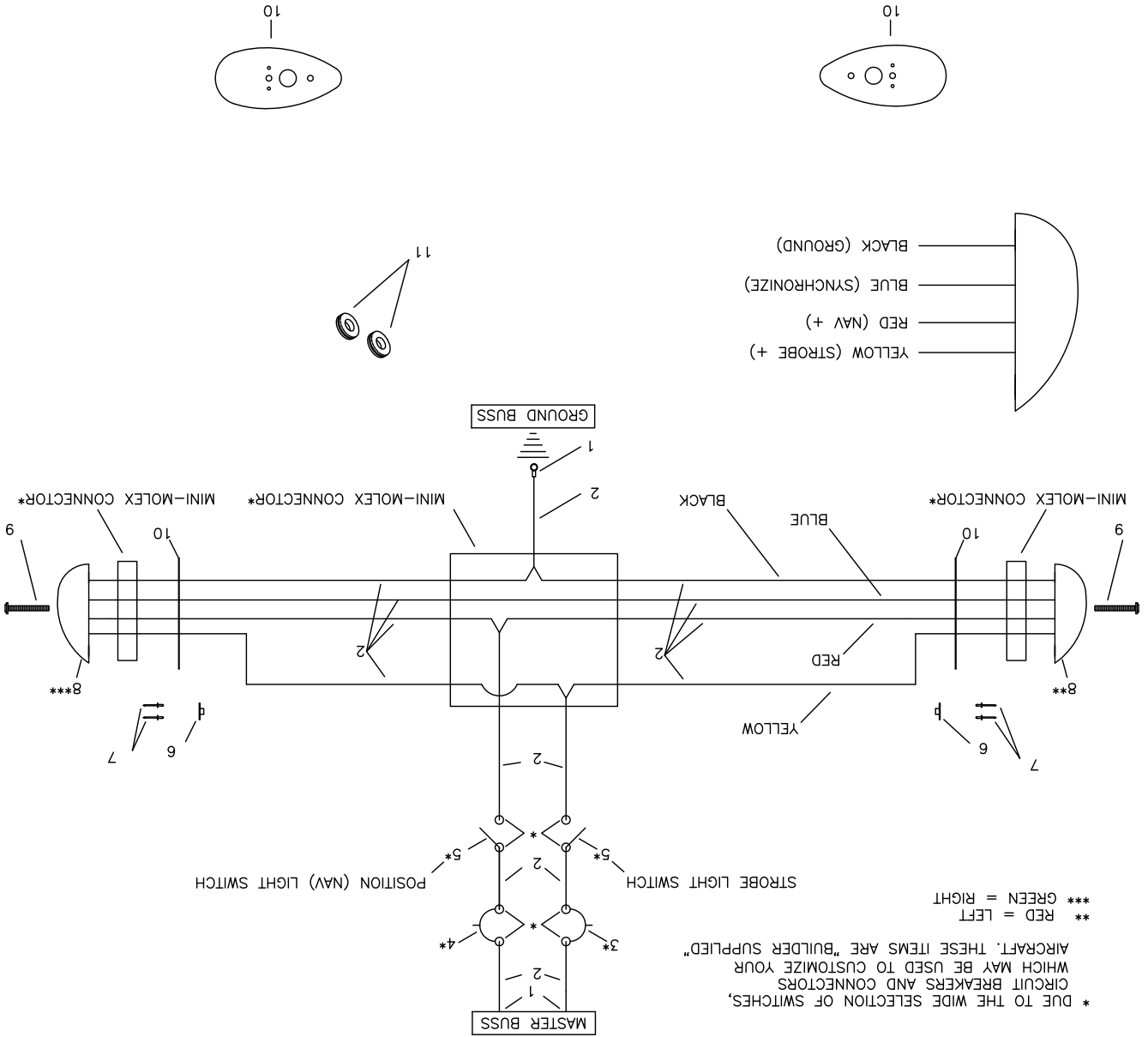
*Referenced from Instruments & Electrical.

8/24/2007

OPTIONAL AVEO STROBE INSTALLATION

RRMS S-75 COURIER

MD2668



S-7S COURIER - OPTIONS - AVEO STROBE INSTALLATION

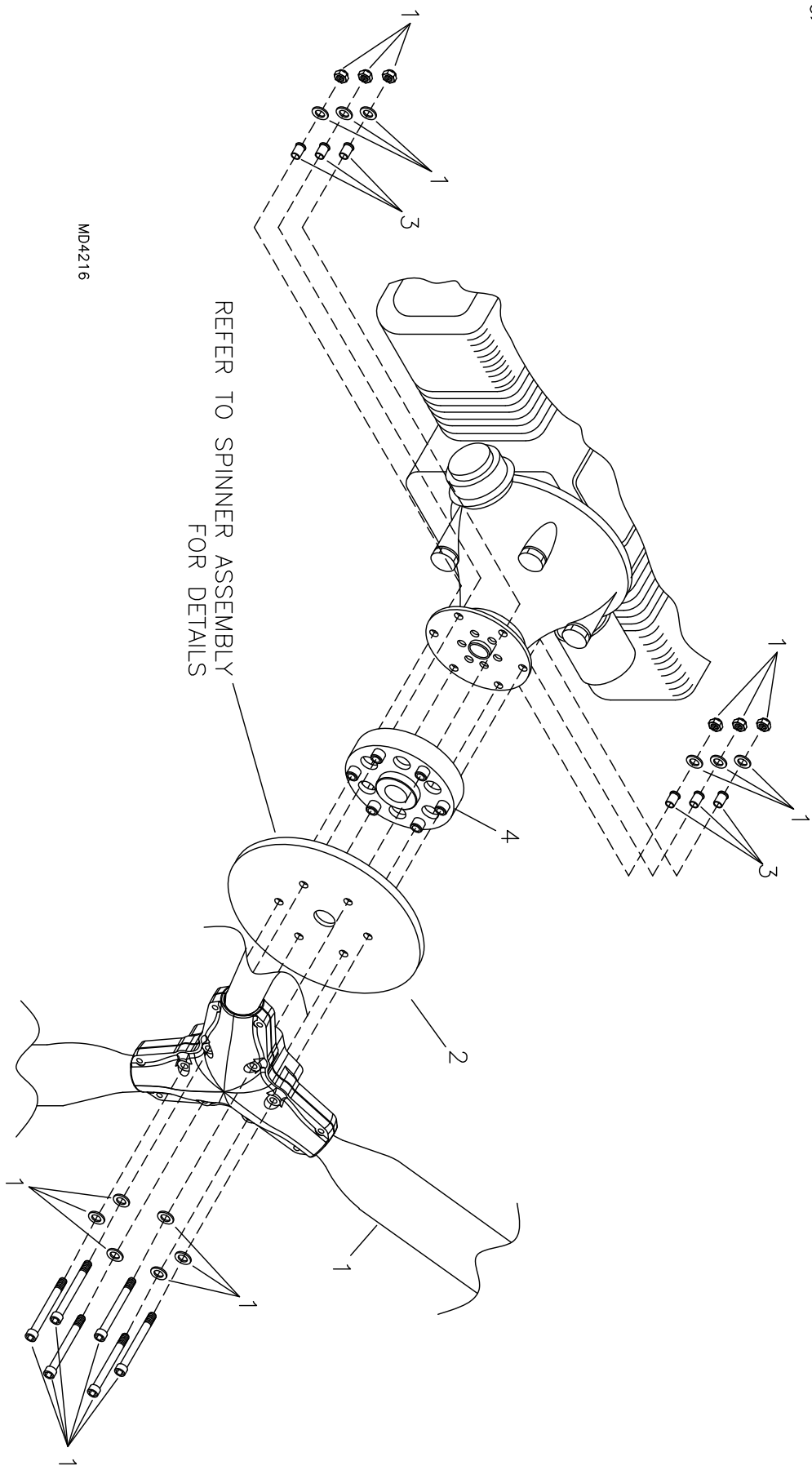
#	DESCRIPTION	PART NUMBER	QUANTITY
1.	14 Gauge Eye Terminal - Blue - 5/32" *	KSES0003	0
2.	4-Wire Bundle - 18 Gauge Wire * **	KSES0060	0
3.	Circuit Breaker - 5 amp *	-----	0
4.	Circuit Breaker - 5 amp *	-----	0
5.	Switch *	-----	0
6.	3/16" Nut Plate ***	K-1000-3	0
7.	3/32" Aluminum Rivet ***	40APR1/8	0
8.	Strobe Light Set - AVEO	KSES0059	1 set
9.	10-32 Socket Head Cap Screw	KSHW0115	2
10.	Strobe Light Mount - AVEO ***	KPWI0541	0
11.	Rubber Grommet	MS35489-6	2

* Builder Supplied

** 4 separate 18 gauge wires may also be used

*** included with Wing Tip

11/6/2013



MD4216

REFER TO SPINNER ASSEMBLY FOR DETAILS

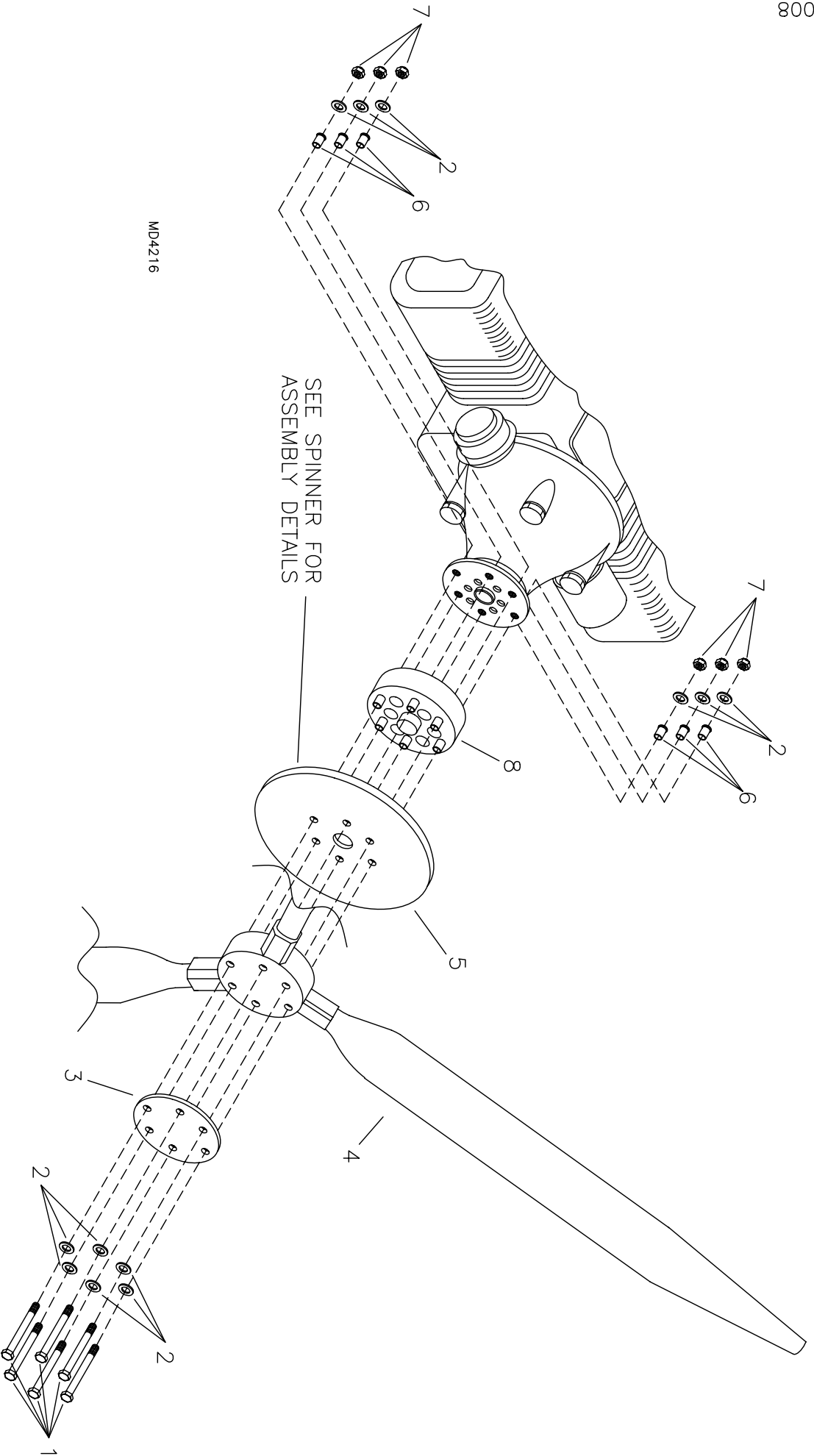
RRRONDOS S-7S COURIER ROTAX 912ULS OPTIONAL WHIRL WIND PROPELLER INSTALLATION

S-7S COURIER - OPTIONS - WHIRLWIND PROP INSTALLATION

#	DESCRIPTION	PART NUMBER	QUANTITY
1.	3-Blade - Whirl Wind Propeller - 75" STOL - 912ULS *	KSPR0001	1
2.	Spinner Backing Plate, 12" **	-----	0
3.	Flange Bushing - 912	KPPW0038	6
4.	1" Prop Extension Assembly	KAPW0034	1

* Mounting Hardware included with Prop

**Referenced from spinner assembly



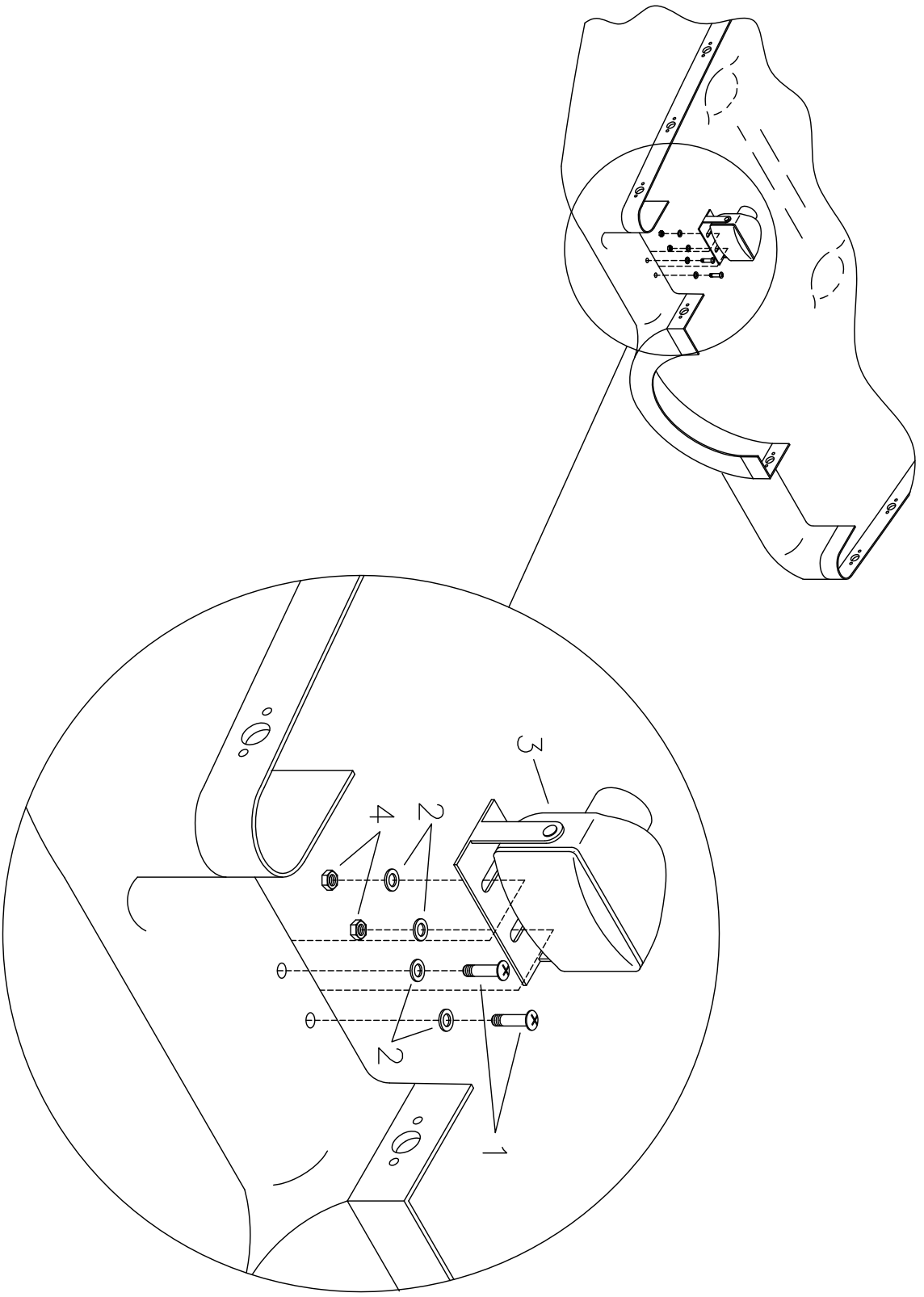
MD4216

RRRNDSS S-7S COURIER
OPTIONAL WARP DRIVE PROPELLER INSTALLATION

S-7S COURIER - OPTIONS - WARP DRIVE PROP INSTALLATION

#	DESCRIPTION	PART NUMBER	QUANTITY
1.	8MM X 120MM Bolt	M8x1.25x120	6
2.	5/16" Thick Washer	AN960-516	12
3.	Crush Plate	KPPW0183	1
4.	3-Blade Warp Drive Propeller, 912uls	KSPW0005-S	1
5.	Spinner Backing Plate, 13" *	KPPW0253	0
6.	Flange Bushing - 912	KPPW0038	6
7.	8MM Nut	M8x1.25 Nut	6
8.	1" Prop Extension Assembly	KAPW0034	1

* Supplied in Fire Wall Forward Kit



OPTIONAL LANDING LIGHT INSTALLATION
S-7S COURIER

MD5531

#	DESCRIPTION	PART NUMBER	QUANTITY
1.	8/32" Truss Head Bolt	AN515-8R7	2
2.	#8 Small Brass Washers	AN960-B8	4
3.	Landing Light	KSES0068	1
4.	8-32 Shear Nut	AN364-832A	2