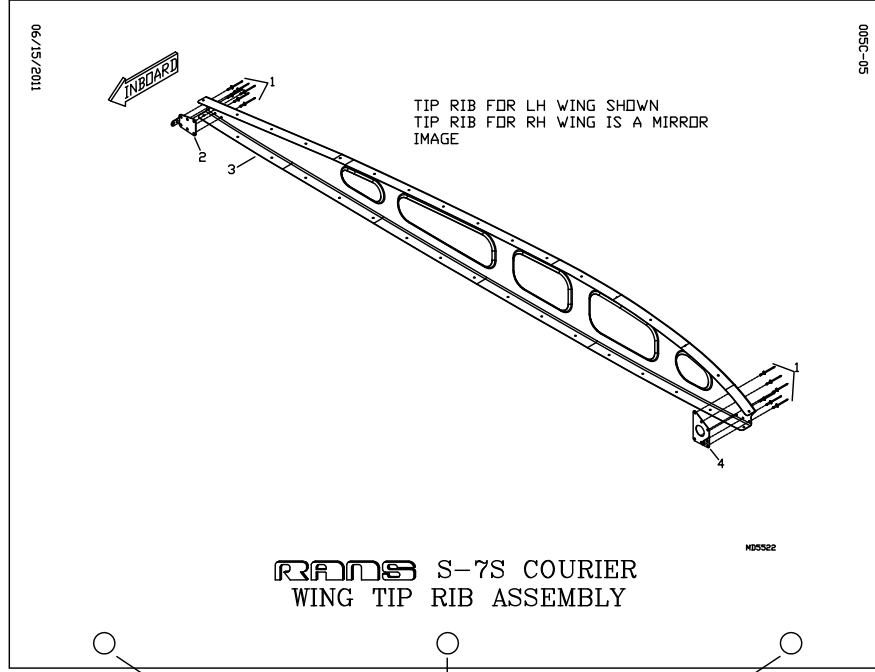


STEP 1:

PARTS MANUAL AS SHIPPED or PRINTED.  
PLACE IN 3-RING BINDER TO SECURE.

PARTS DRAWING PAGE



3-HOLE PUNCH

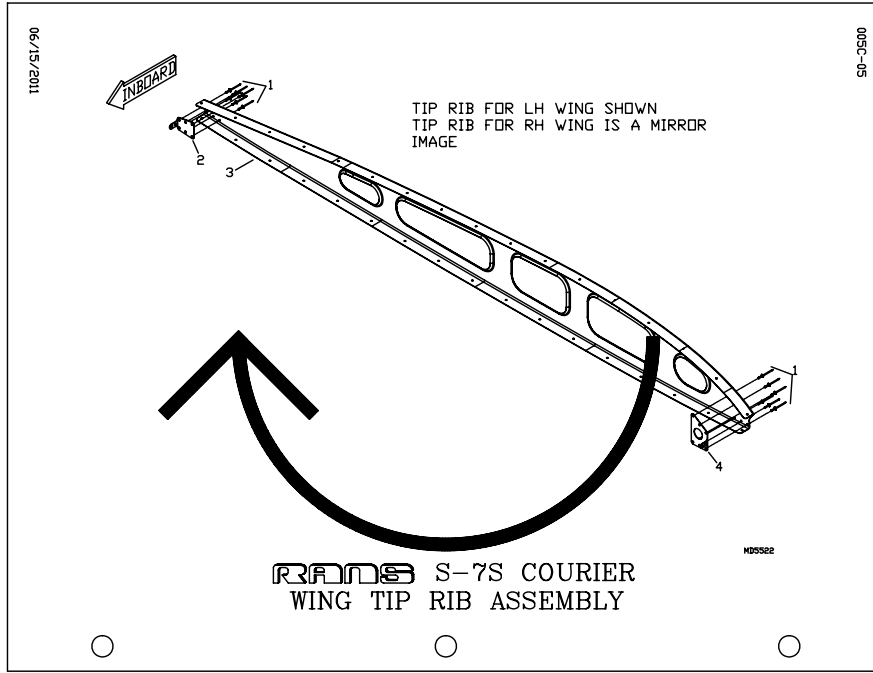
EXAMPLE ONLY.  
MAY NOT REPRESENT ACTUAL PAGES  
FROM YOUR MANUAL.

SEE NEXT PAGE

STEP 2:

OPEN 3-RING BINDER.  
REMOVE PARTS DRAWING PAGE AND  
ROTATE 180° TO FACE  
CORRESPONDING  
PARTS DESCRIPTION PAGE.  
REPEAT FOR REMAINING PAGES

PARTS DRAWING PAGE



PARTS DESCRIPTION PAGE

PAGE 005C-06

S-7S COURIER - WING - TIP RIB ASSEMBLY

# DESCRIPTION	PART NUMBER	QUANTITY
1. 1/8" ALUMINUM RIVET	AAQC-41	24
2. RIB CLIP TRAILING EDGE - LH	KPW0372-L	4
2. RIB CLIP TRAILING EDGE - RH	KPW0372-R	4
3. WING TIP RIB - LH	KPW0544-L	1
3. WING TIP RIB - RH	KPW0544-R	1
4. RIB CLIP LEADING EDGE - LH	KPW0373-L	1
4. RIB CLIP LEADING EDGE - RH	KPW0373-R	1

6/15/2011

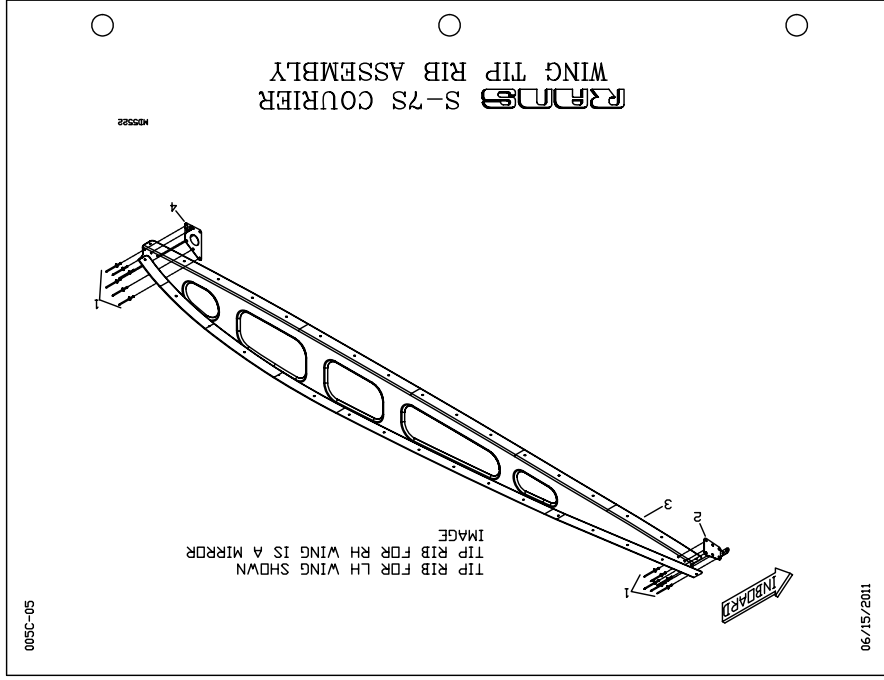
EXAMPLE ONLY.  
MAY NOT REPRESENT ACTUAL PAGES  
FROM YOUR MANUAL.

SEE NEXT PAGE

STEP 3:

PARTS DRAWING PAGE  
 FACES CORRESPONDING  
 PARTS DESCRIPTION PAGE  
 WHEN FINAL SECURED IN  
 BINDER

PARTS DRAWING PAGE



PARTS DESCRIPTION PAGE

PAGE 005C-06

S-75 COURIER - WING - TIP RIB ASSEMBLY

#	DESCRIPTION	PART NUMBER	QUANTITY
1.	1/8" ALUMINUM RIVET	AAPQ-41	24
2.	RIB CLIP TRAILING EDGE - LH	KPW0372-L	4
2.	RIB CLIP TRAILING EDGE - RH	KPW0372-R	1
3.	WING TIP RIB - LH	KPW0544-L	1
3.	WING TIP RIB - RH	KPW0544-R	1
4.	RIB CLIP LEADING EDGE - LH	KPW0373-L	1
4.	RIB CLIP LEADING EDGE - RH	KPW0373-R	1

6/15/2011

EXAMPLE ONLY.  
 MAY NOT REPRESENT ACTUAL PAGES  
 FROM YOUR MANUAL.