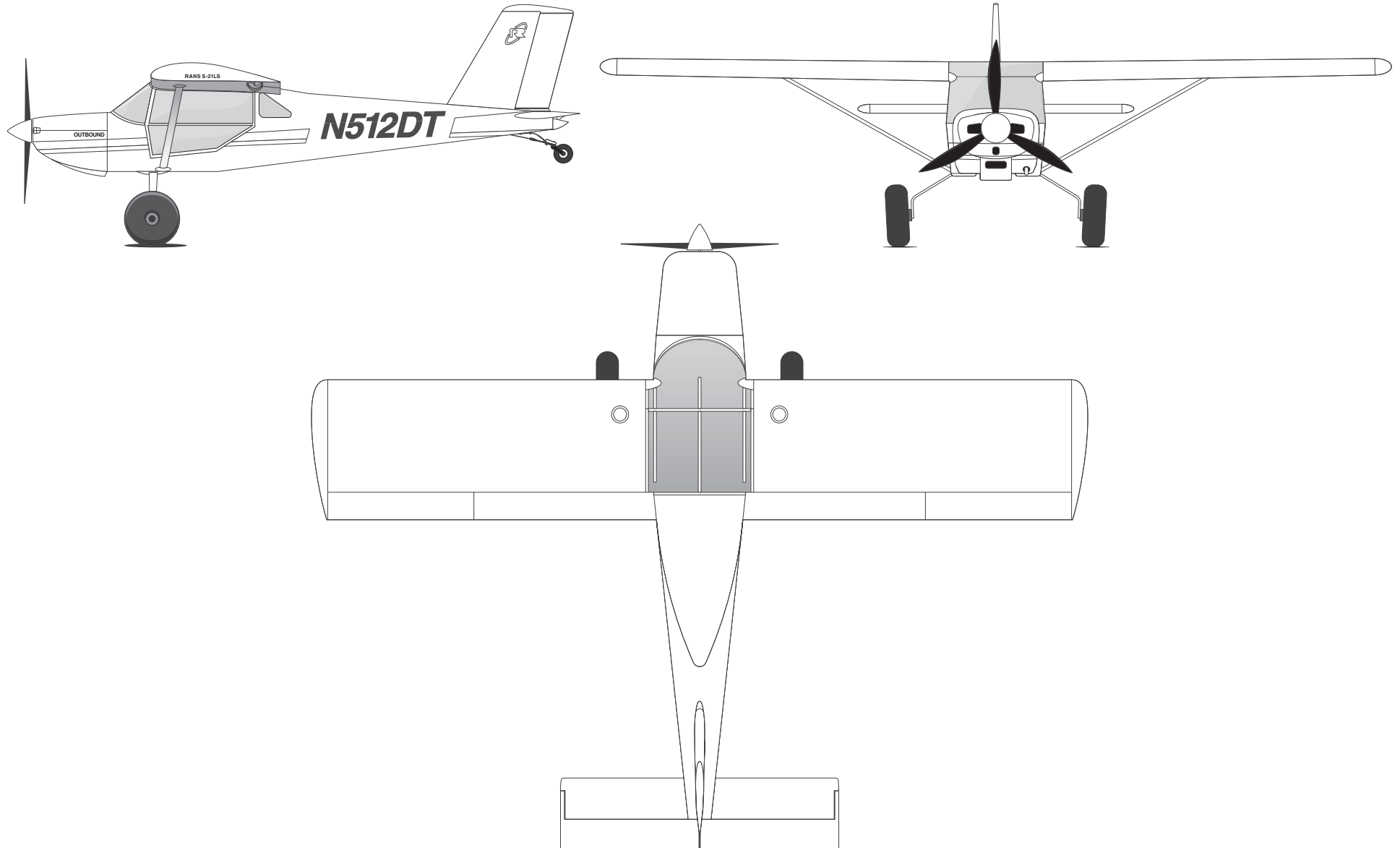


* Please refer to our sample paint scheme options to determine the areas included with this scheme.



Standard Scheme (Blank)

Customer:

S-21 Outbound / Taildragger

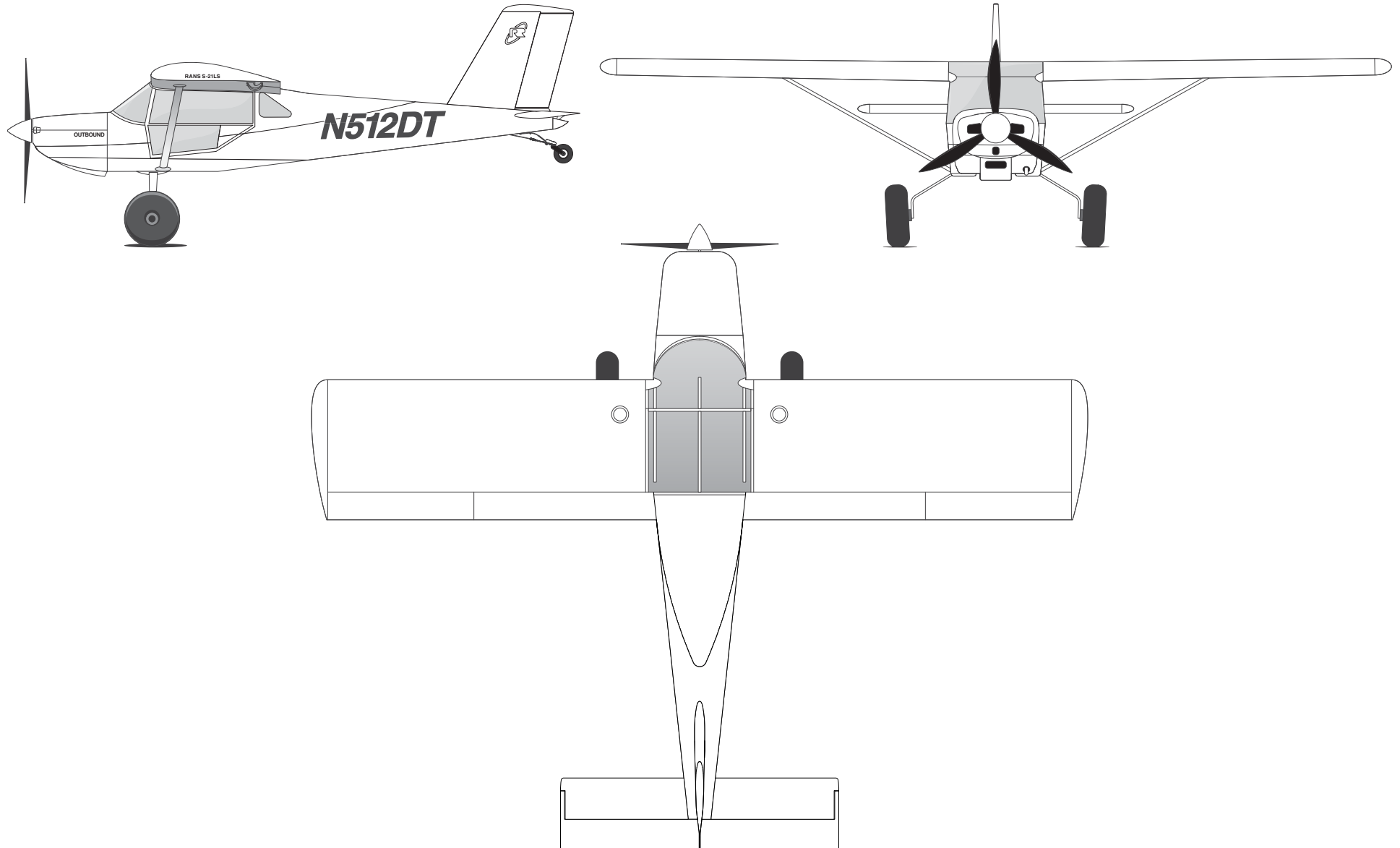
COLORS: 1.

2.

3.

Doors Unpainted

* Please refer to our sample paint scheme options to determine the areas included with this scheme.



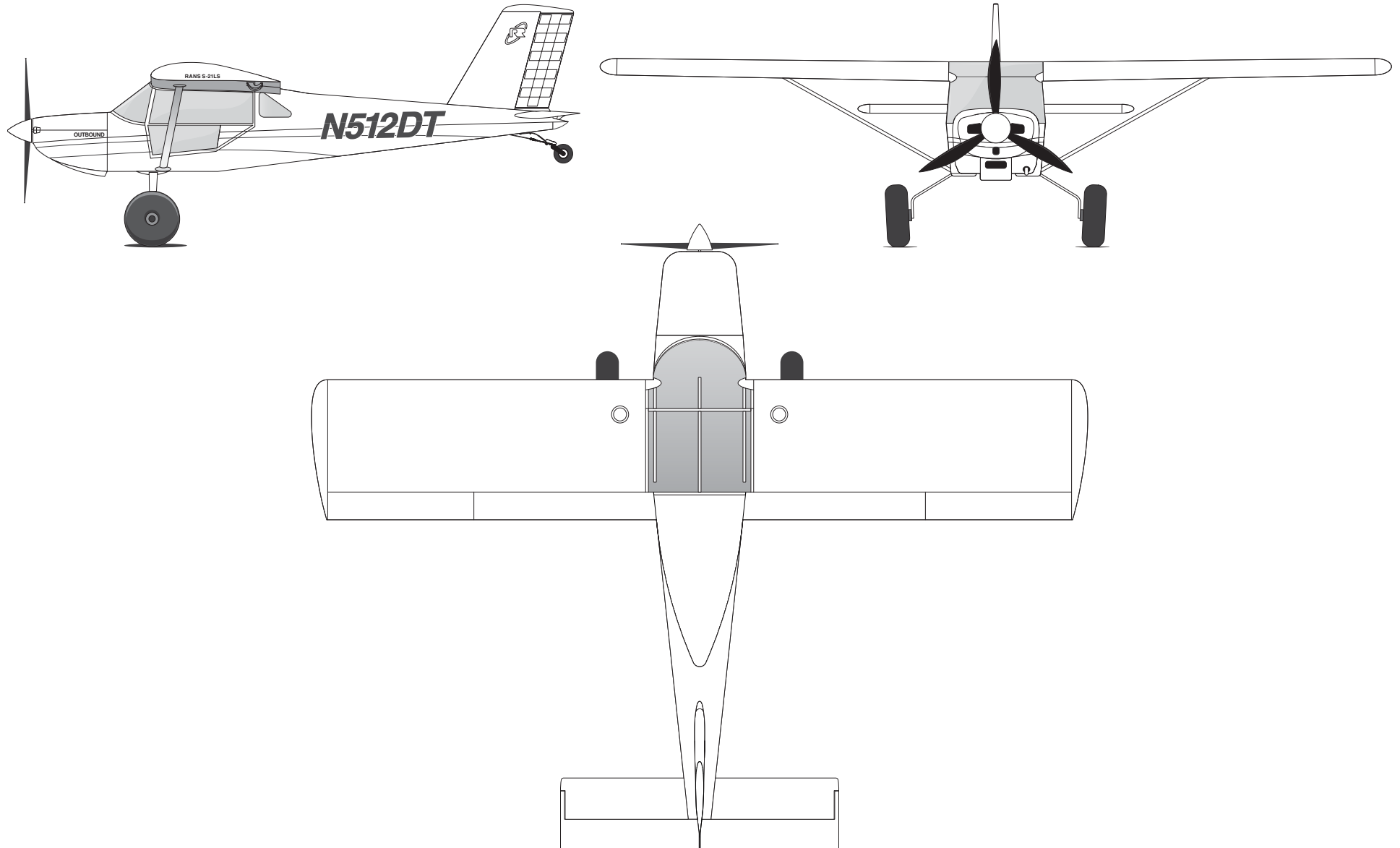
Classic Scheme (Blank)

COLORS: 1. 2. 3.

Customer:

S-21 Outbound / Taildragger
Doors Partially Painted + Solid Tail Group

* Please refer to our sample paint scheme options to determine the areas included with this scheme.



Knight Scheme (Blank, Shown w/ Optional Checkered Tail)

Customer:

S-21 Outbound / Taildragger

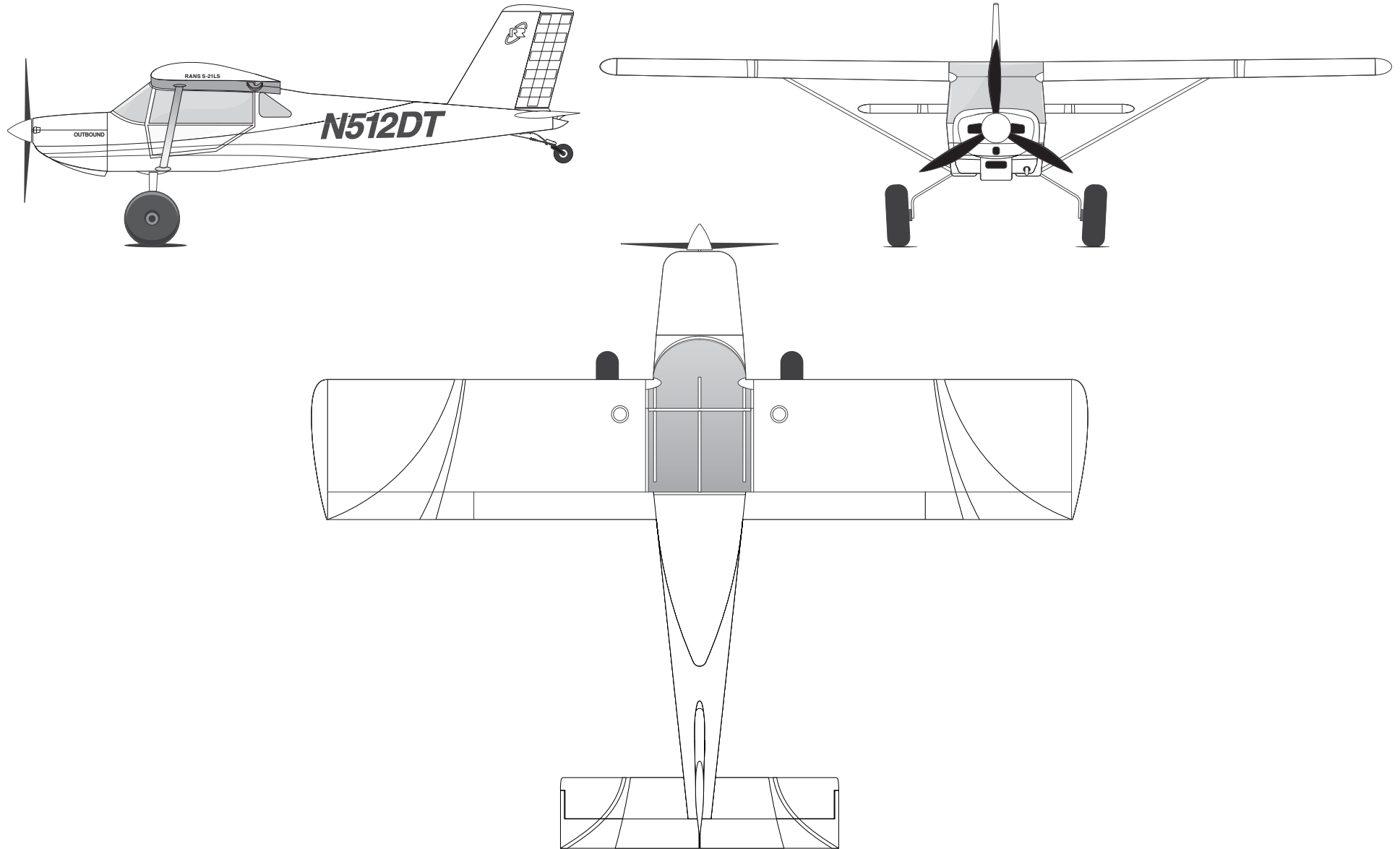
COLORS: 1.

2.

3.

Doors Partially Painted / Solid Tail Group

* Please refer to our sample paint scheme options to determine the areas included with this scheme.



Encore Scheme (Blank, Shown w/ Optional Checkered Tail)

Customer:

S-21 Outbound / Taildragger

COLORS: 1.

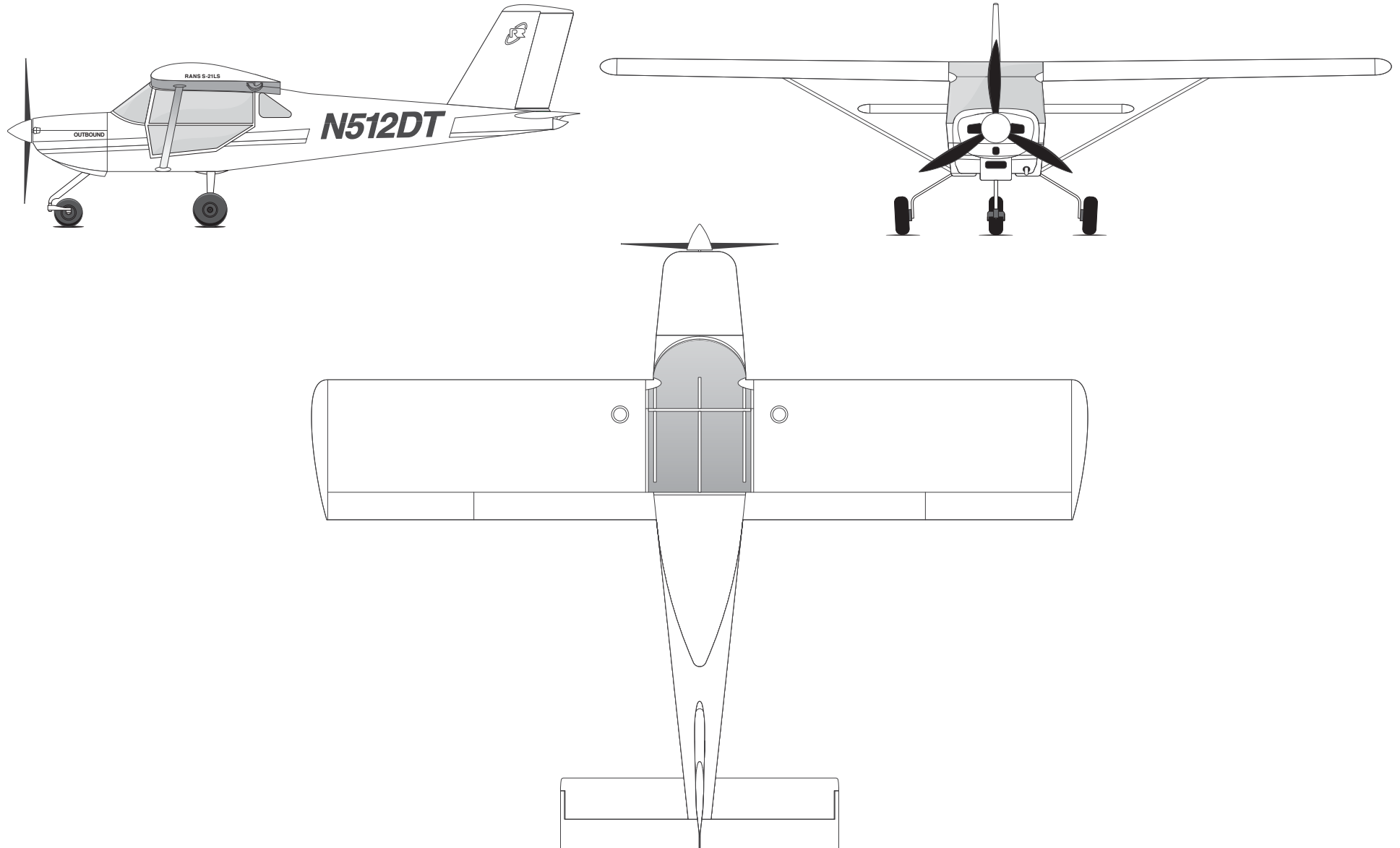
2.

3.

4.

Doors Fully Painted + Wing & Tail Group Accents

* Please refer to our sample paint scheme options to determine the areas included with this scheme.



Standard Scheme (Blank)

Customer: _____

S-21 Outbound / Trike
Doors Unpainted

COLORS: 1.

2.

3.

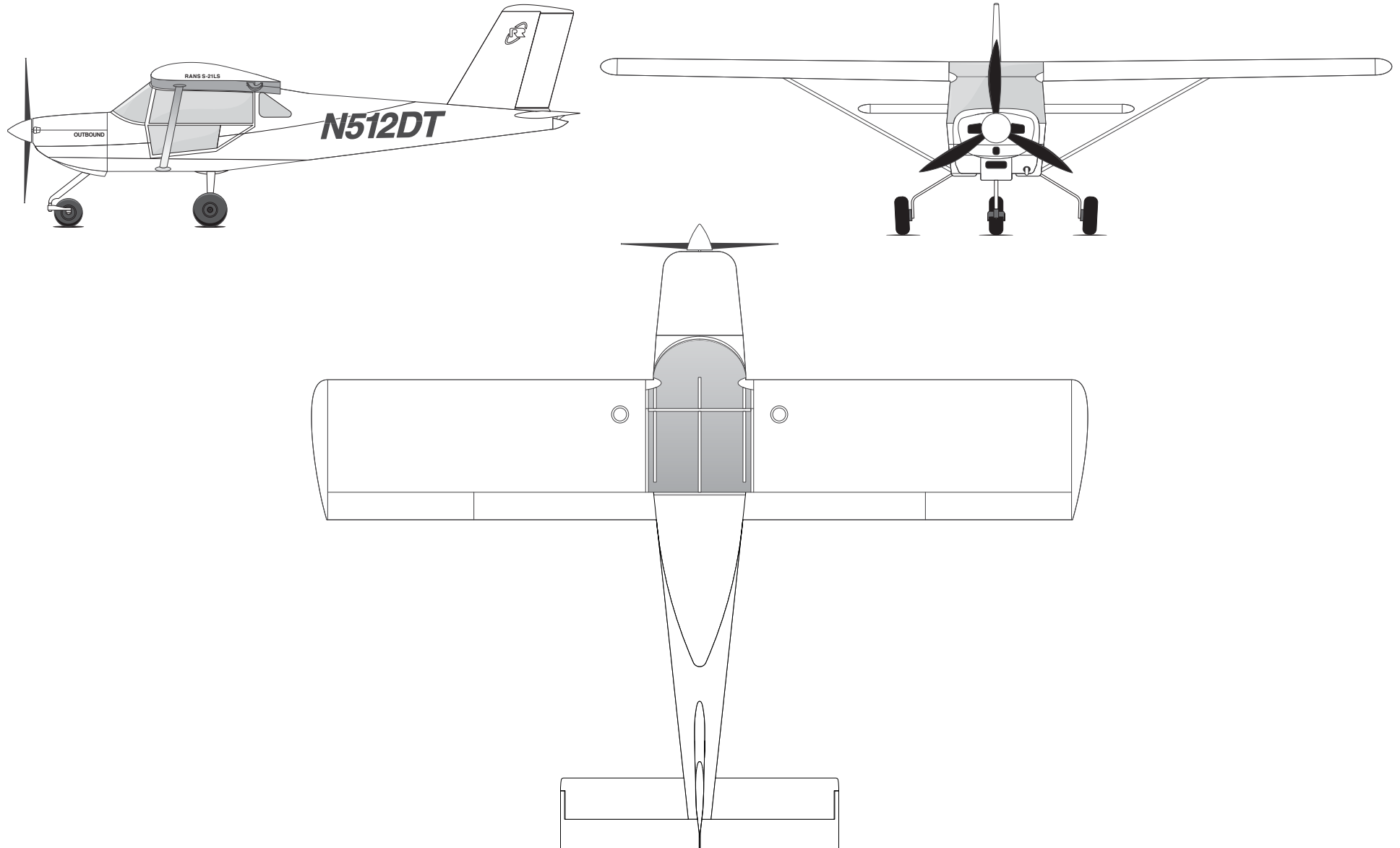
RANS DESIGNS, INC.
P: 785-625-6346

4600 US HWY 183 ALT. HAYS, KS 67601
WWW.RANS.COM E-MAIL: INFO@RANS.COM

© COPYRIGHT 2020
ALL MATERIAL IS PROPERTY OF RANS DESIGNS, INC. UNLESS OTHERWISE STATED.

FORM: S21_TR_STANDARD

* Please refer to our sample paint scheme options to determine the areas included with this scheme.



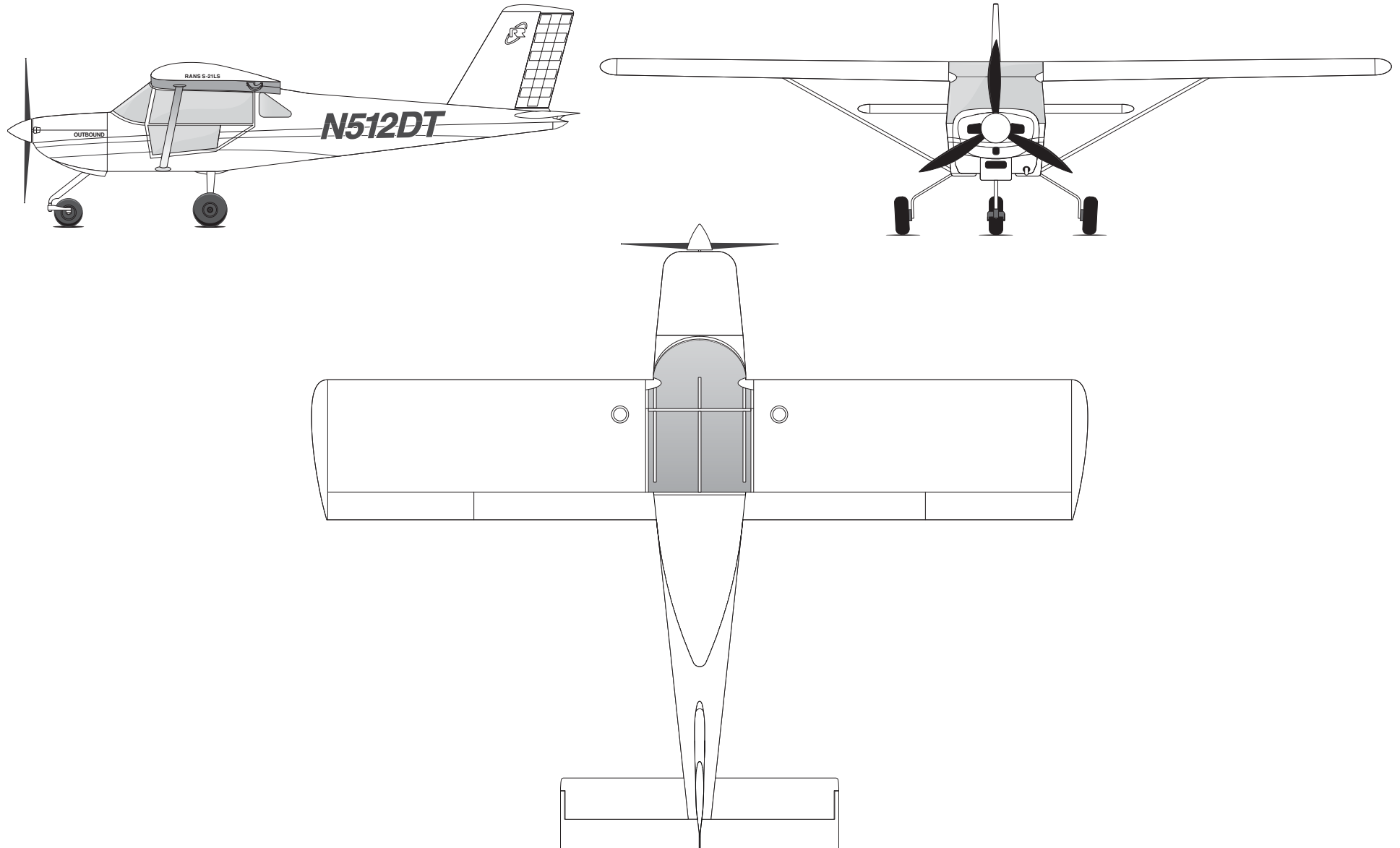
Classic Scheme (Blank)

COLORS: 1. 2. 3.

Customer:

S-21 Outbound / Trike
Doors Partially Painted + Solid Tail Group

* Please refer to our sample paint scheme options to determine the areas included with this scheme.



Knight Scheme (Blank, Shown w/ Optional Checkered Tail)

Customer:

S-21 Outbound / Trike

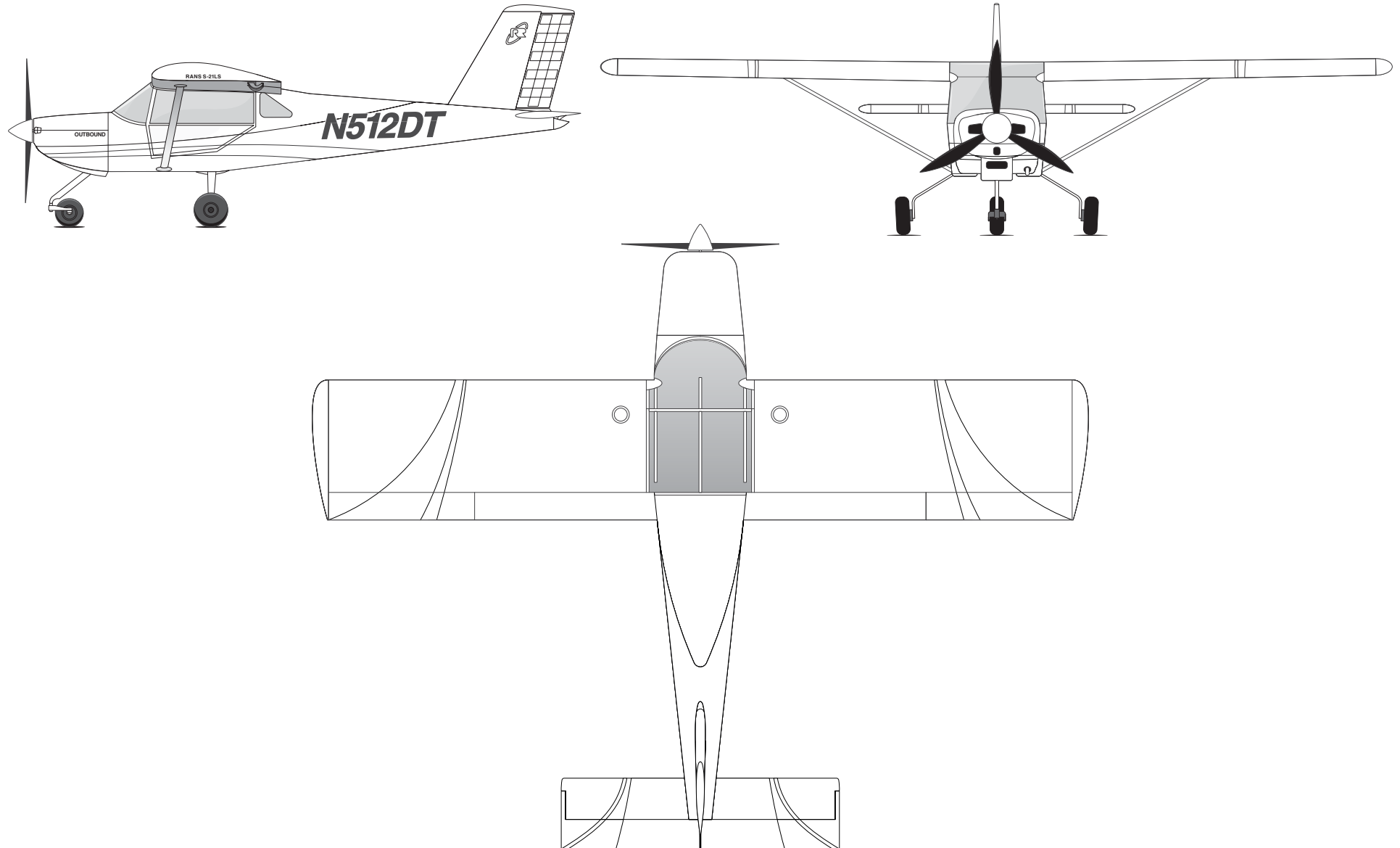
COLORS: 1.

2.

3.

Doors Partially Painted / Solid Tail Group

* Please refer to our sample paint scheme options to determine the areas included with this scheme.



Encore Scheme (Blank, Shown w/ Optional Checkered Tail)

Customer: _____

S-21 Outbound / Trike

COLORS: 1.

2.

3.

4.

Doors Fully Painted + Wing & Tail Group Accents