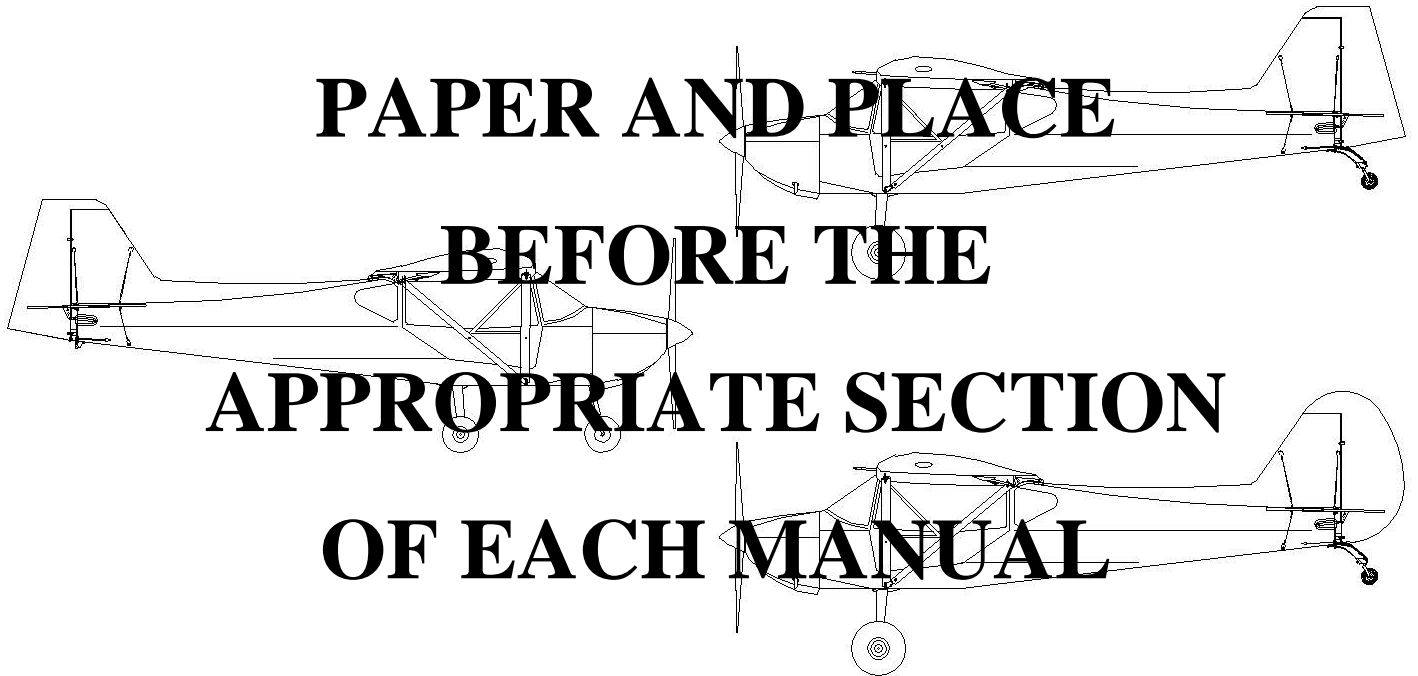


**PRINT THE FOLLOWING
PAGES ON
COLORED or CARD STOCK
PAPER AND PLACE
BEFORE THE
APPROPRIATE SECTION
OF EACH MANUAL**



TEXT MANUAL INDEX

GENERAL00

FUSELAGE SYSTEMS.....01

CONTROL SYSTEMS02

ENGINE03

INSTRUMENTS - PITOT/STATIC04

WING05

BOOT COWL & PANEL06

WINDSHIELD & DOORS07

COVERING08

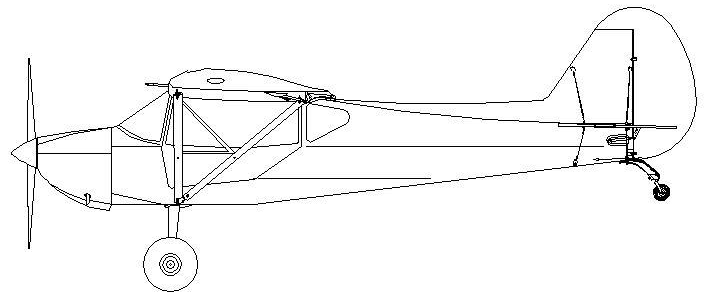
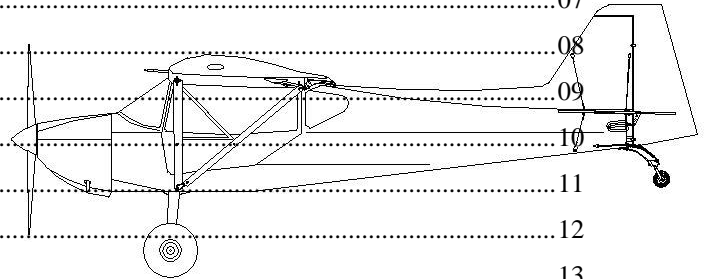
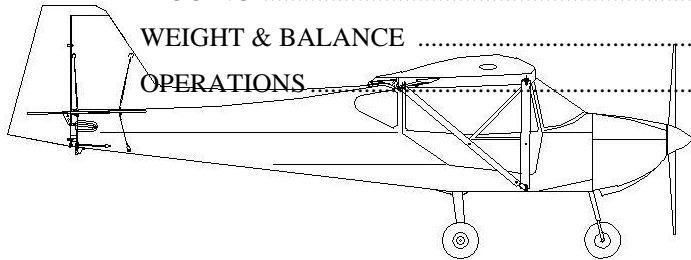
SEAT BELTS & INTERIOR09

OPTIONS10

RIGGING11

WEIGHT & BALANCE12

OPERATIONS13



00 - GENERAL INFO

HOW DO I ASSEMBLE THE MANUAL? 00-01

REVISION FORM 00-04

RANS DESIGNS - CONTACT INFORMATION 00-05

RANS AIRCRAFT TECHNICAL SUPPORT 00-06

TOOL LIST 00-07

RECOMMENDED AVIONICS LIST 00-09

S-20 RAVEN - GENERAL INFORMATION 00-10

ENGINEERING DEPARTMENT DRAWING NUMBERING SYSTEM 00-11

IMPORTANT: PLEASE READ 00-12

AIRCRAFT REGISTRATION 00-15

FINAL INSPECTION 00-19

SAMPLE CHECKLIST FOR A CONDITION INSPECTION 00-23

NUMBERING AND PLACARDS 00-27

AIRCRAFT INSTRUMENT MARKINGS & COCKPIT PLACARDS 00-29

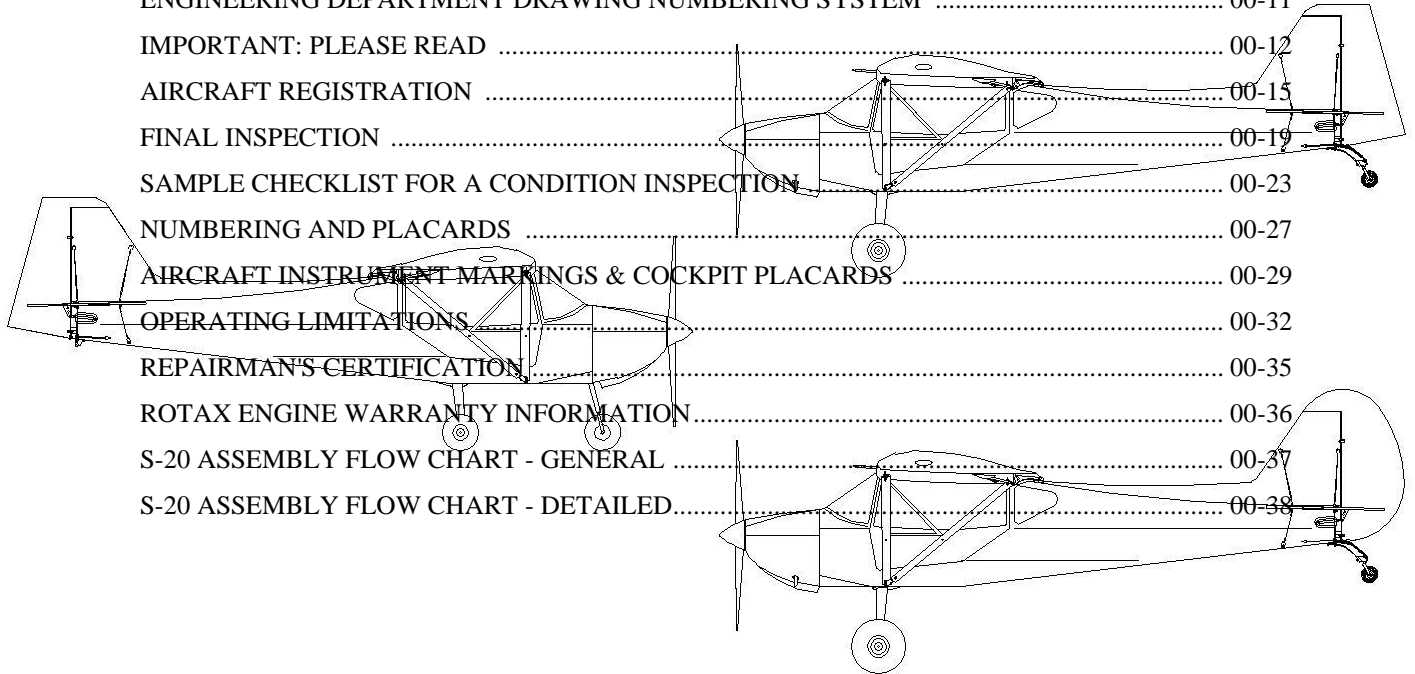
OPERATING LIMITATIONS 00-32

REPAIRMAN'S CERTIFICATION 00-35

ROTAX ENGINE WARRANTY INFORMATION 00-36

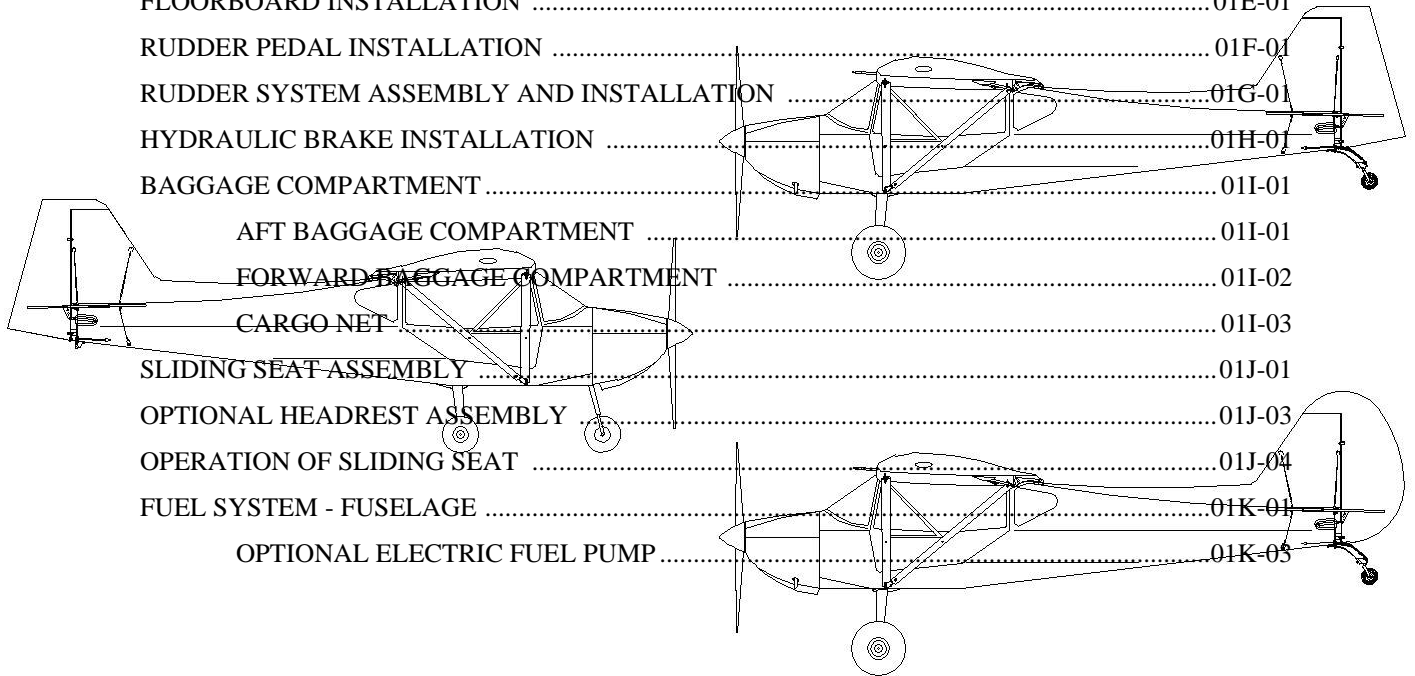
S-20 ASSEMBLY FLOW CHART - GENERAL 00-37

S-20 ASSEMBLY FLOW CHART - DETAILED 00-38



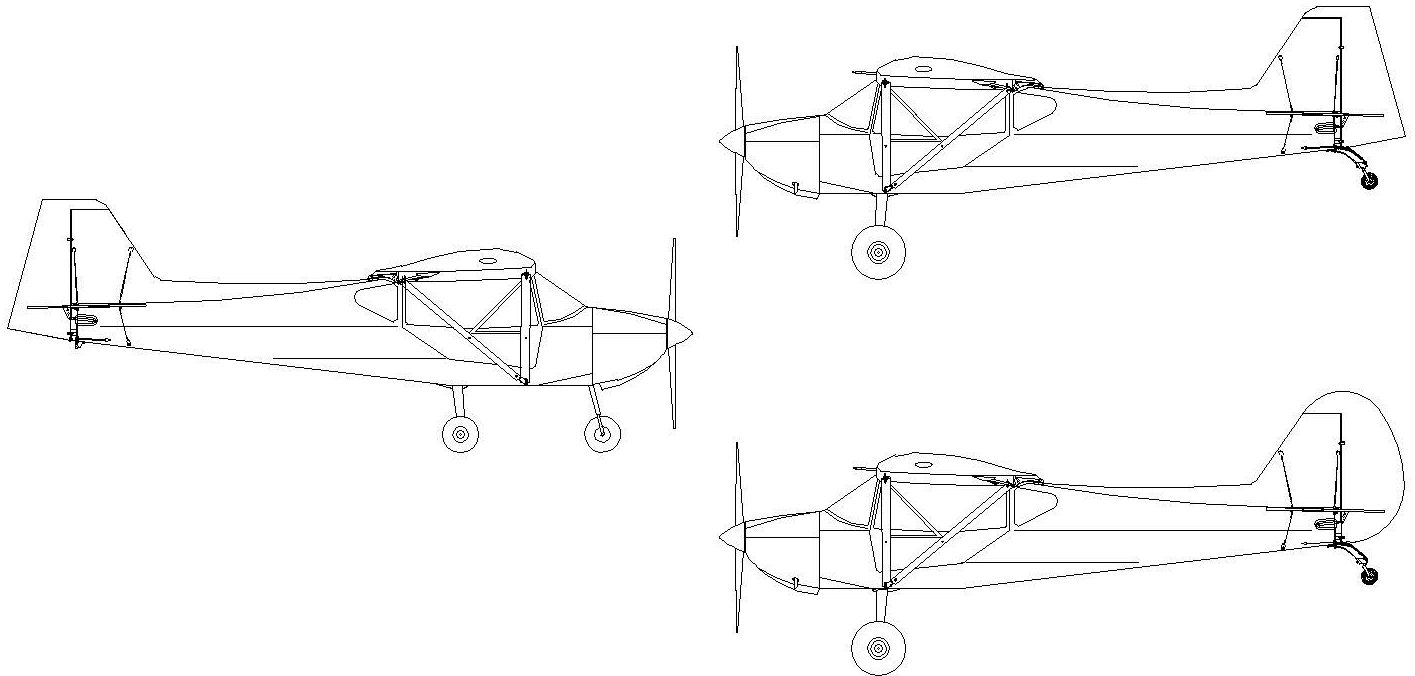
01 - FUSELAGE SYSTEMS

FUSELAGE FORMER INSTALLATION	01-01
ELT & COMMUNICATIONS ANTENNA MOUNT INSTALLATION	01-04
BAGGAGE WINDOW INSTALLATION	01-05
MAIN GEAR ASSEMBLY AND INSTALLATION	01A-01
TAILWHEEL, NOSE GEAR & TAIL TIE-DOWN ASSEMBLY AND INSTALL	01B-01
HORIZONTAL STABILIZER & ELEVATOR ASSEMBLY AND INSTALL	01C-01
TRIM TAB ASSEMBLY AND INSTALLATION	01D-01
FLOORBOARD INSTALLATION	01E-01
RUDDER PEDAL INSTALLATION	01F-01
RUDDER SYSTEM ASSEMBLY AND INSTALLATION	01G-01
HYDRAULIC BRAKE INSTALLATION	01H-01
BAGGAGE COMPARTMENT	01I-01
AFT BAGGAGE COMPARTMENT	01I-01
FORWARD BAGGAGE COMPARTMENT	01I-02
CARGO NET	01I-03
SLIDING SEAT ASSEMBLY	01J-01
OPTIONAL HEADREST ASSEMBLY	01J-03
OPERATION OF SLIDING SEAT	01J-04
FUEL SYSTEM - FUSELAGE	01K-01
OPTIONAL ELECTRIC FUEL PUMP	01K-05



02 - CONTROL SYSTEMS

CONTROL STICK ASSEMBLY & INSTALLATION 02-01
CONTROL STICK PUSH-PULL TUBE ASSEMBLY & INSTALLATION02A-01
ELEVATOR PUSH-PULL TUBE ASSEMBLY & INSTALLATION02B-01
AILERON CABLE SYSTEM INSTALLATION - FUSELAGE02C-01
FLAP LEVER ASSEMBLY AND INSTALLATION02D-01



03 - ENGINE

ROTAX 912ULS

ENGINE MOUNT INSTALLATION 03-01

ENGINE ACCESSORY INSTALLATION03A-01

FUEL SYSTEM - FIREWALL FORWARD03B-01

COOLING SYSTEM INSTALLATION03C-01

OPTIONAL HEATER INSTALLATION - RADIANT STYLE03C-02

LUBRICATION SYSTEM INSTALLATION03D-01

MUFFLER ASSEMBLY 03E-01

OPTIONAL MUFFLER HEATER INSTALLATION03F-01

THROTTLE CONTROL ASSEMBLY03G-01

CHOKE CONTROL ASSEMBLY03H-01

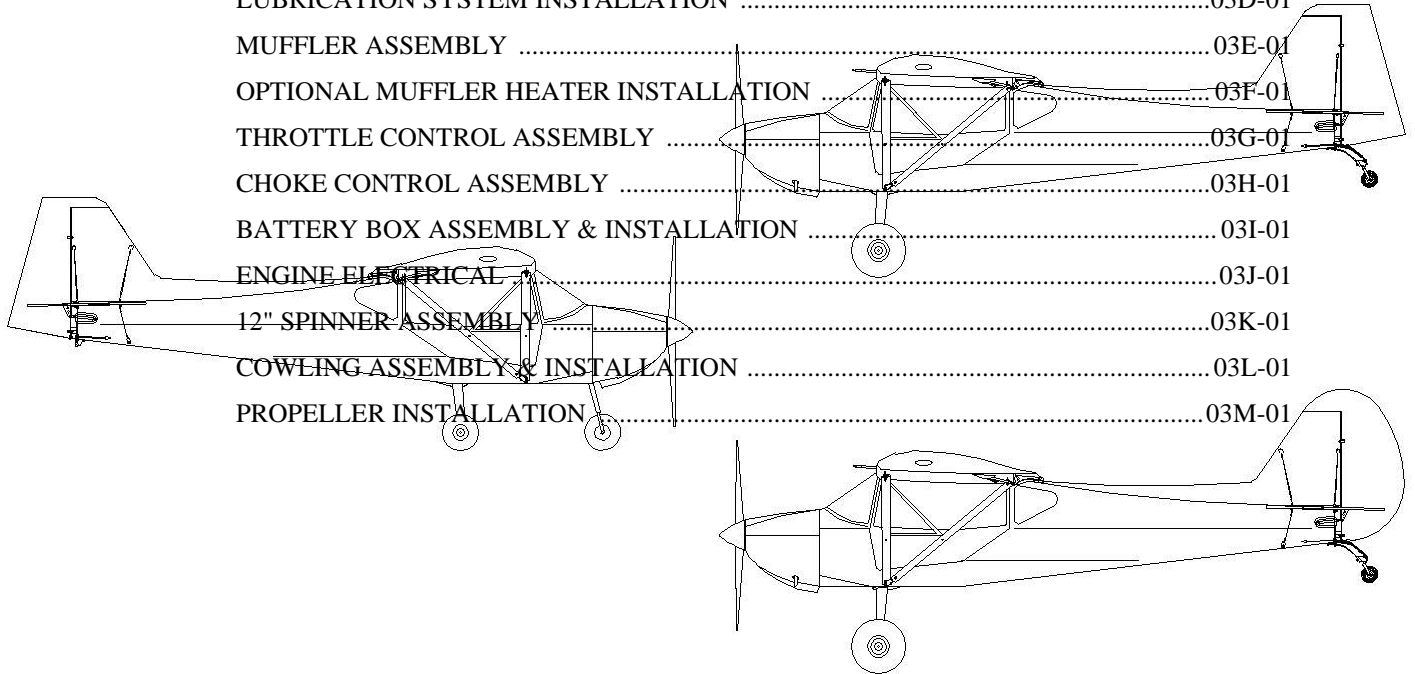
BATTERY BOX ASSEMBLY & INSTALLATION 03I-01

ENGINE ELECTRICAL03J-01

12" SPINNER ASSEMBLY03K-01

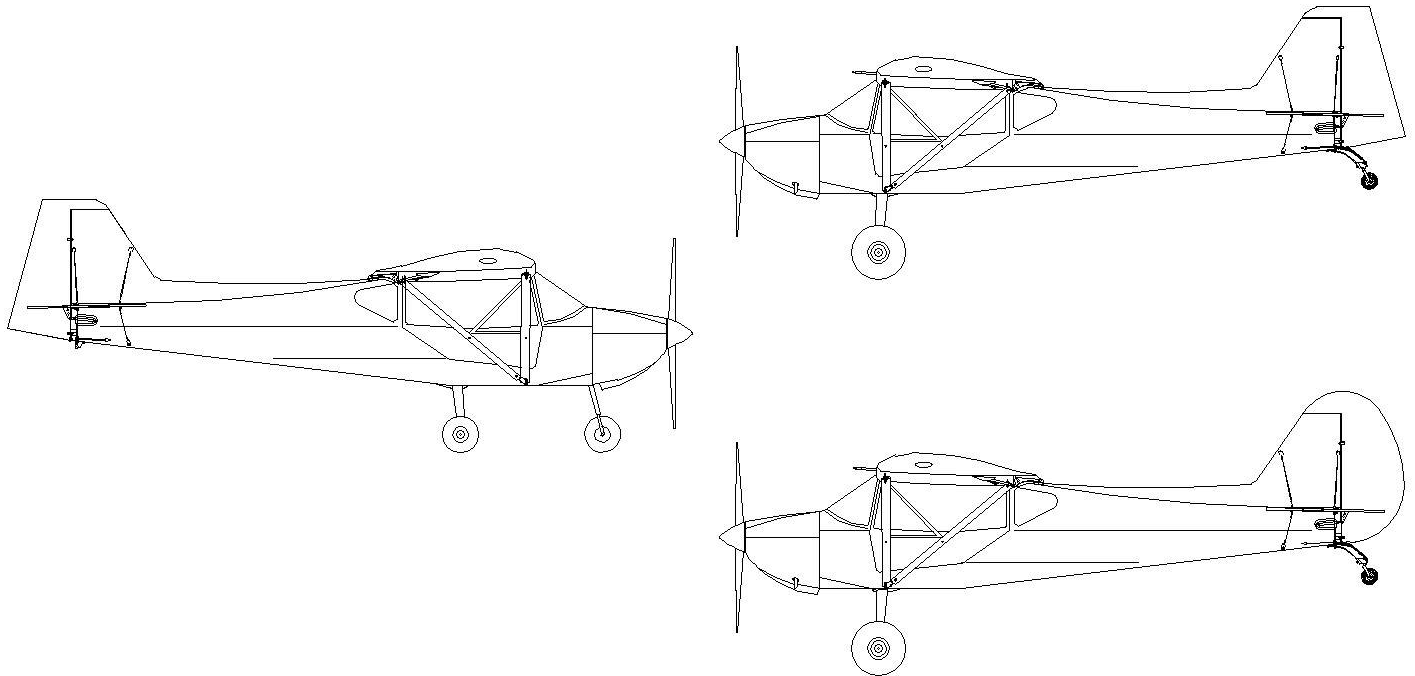
COWLING ASSEMBLY & INSTALLATION 03L-01

PROPELLER INSTALLATION03M-01



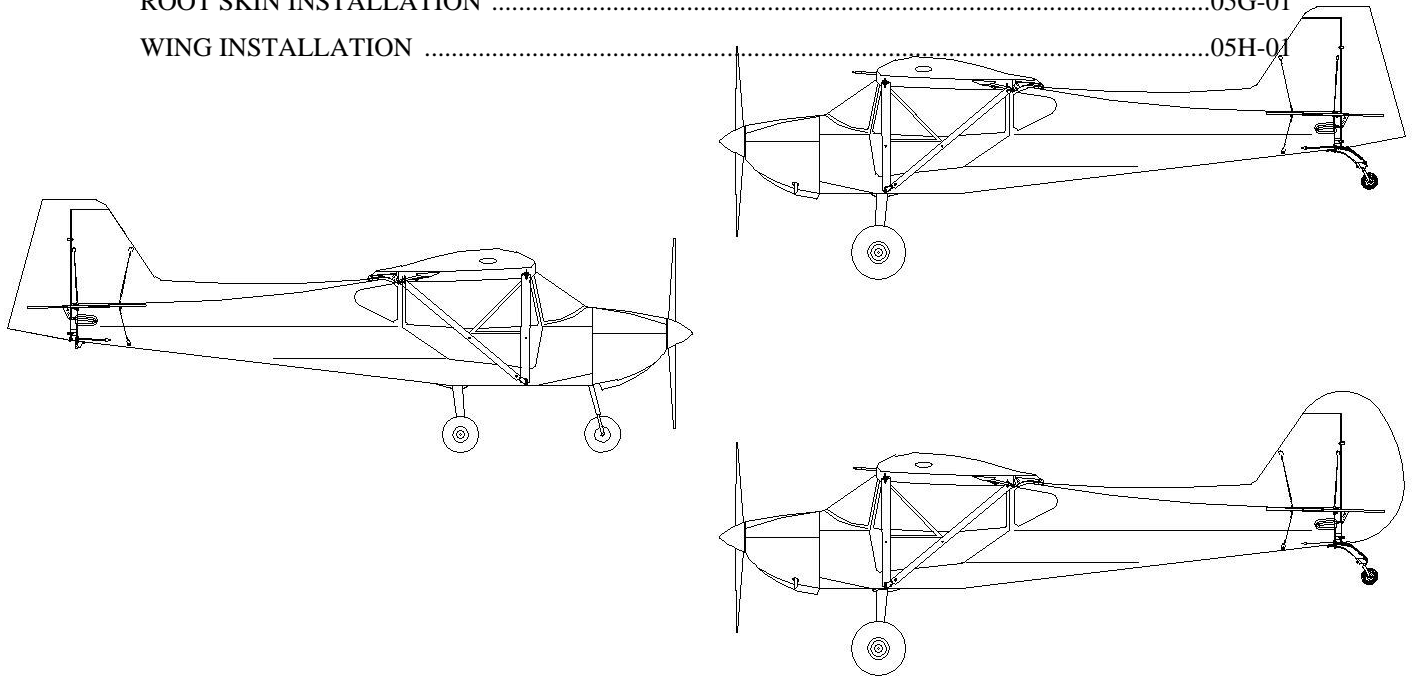
04 - INSTRUMENTS - PITOT/STATIC

INSTRUMENTS AND ELECTRICAL 04-01



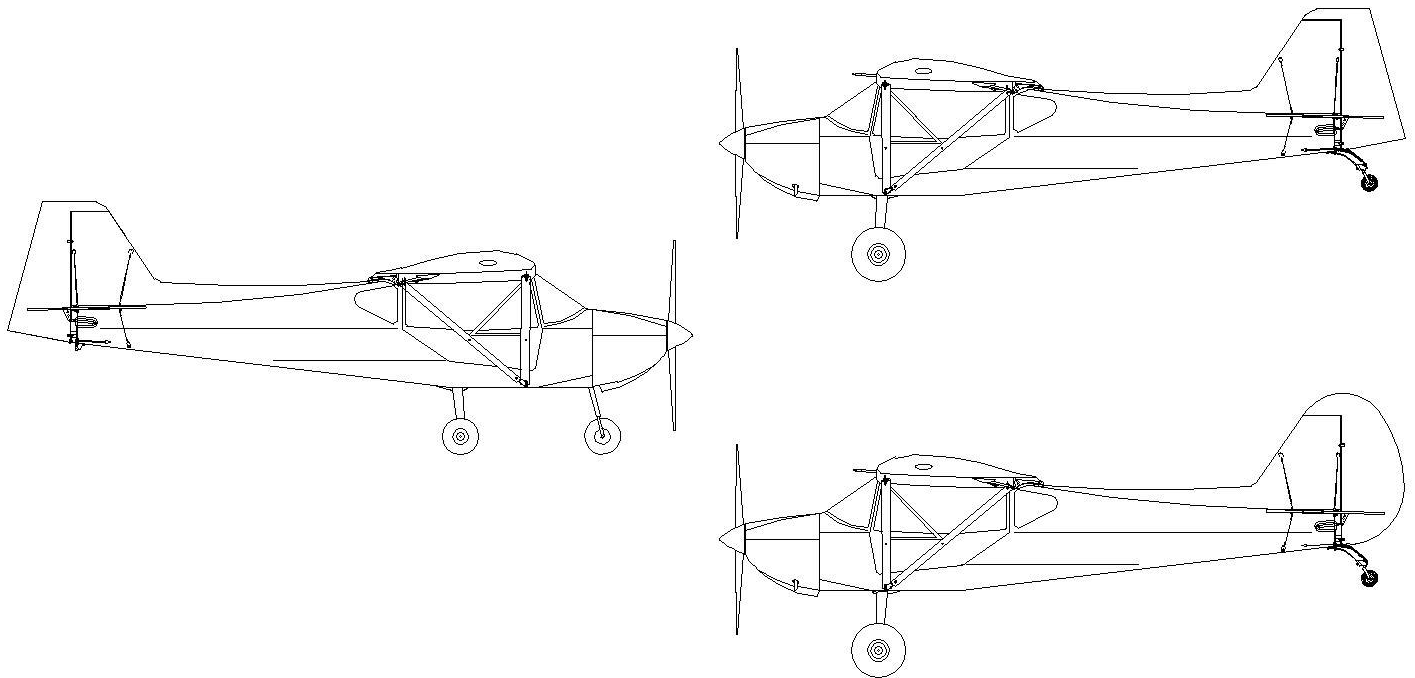
05 - WING

MAIN STRUCTURE ASSEMBLY 05-01
FUEL TANK ASSEMBLY AND INSTALLATION05A-01
AILERON BELLCRANK AND CABLE INSTALL - WING05B-01
RIB & SHEET METAL INSTALLATION05C-01
AILERON AND FLAP ASSEMBLY AND INSTALLATION05D-01
LIFT STRUT ASSEMBLY 05E-01
WING TIP ASSEMBLY AND INSTALLATION 05F-01
ROOT SKIN INSTALLATION05G-01
WING INSTALLATION05H-01



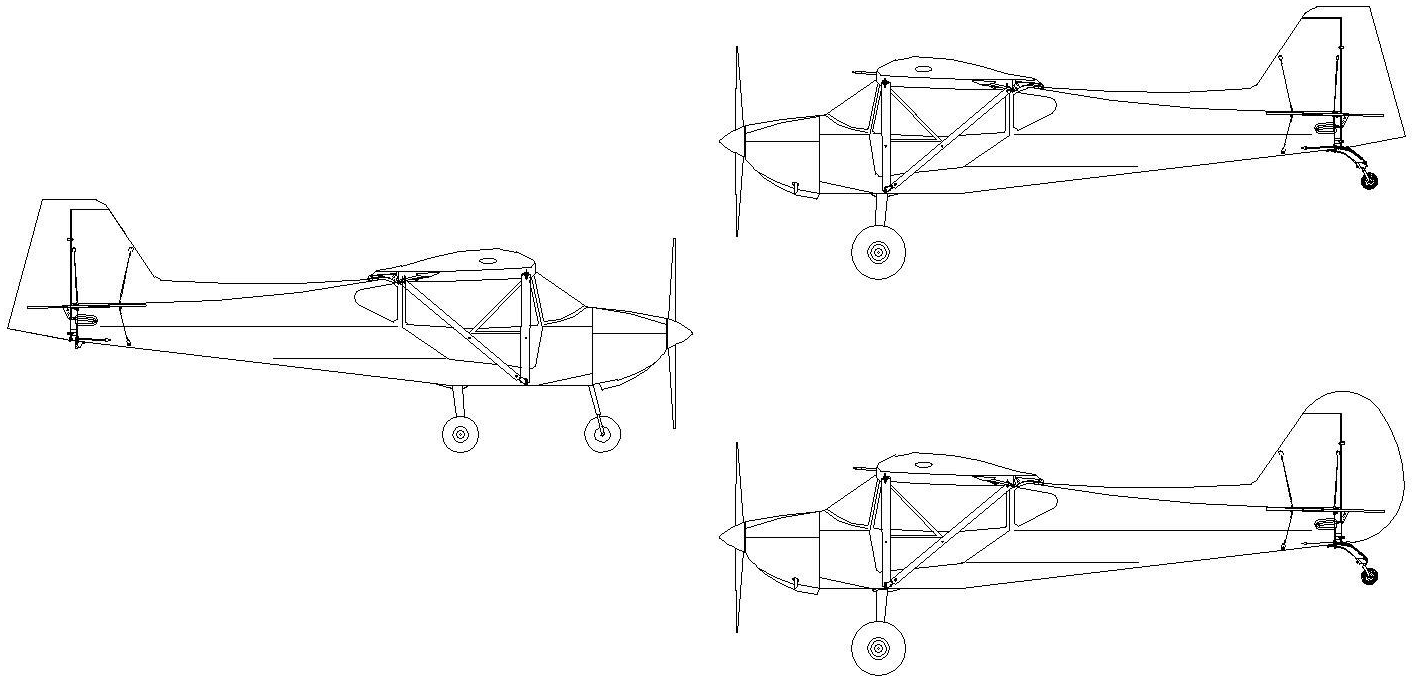
06 - BOOT COWL & PANEL

BOOT COWL ASSEMBLY 06-01
INSTRUMENT PANEL INSTALLATION06A-01
SUB-PANEL & RADIO MOUNT PLATES INSTALLATION06A-03



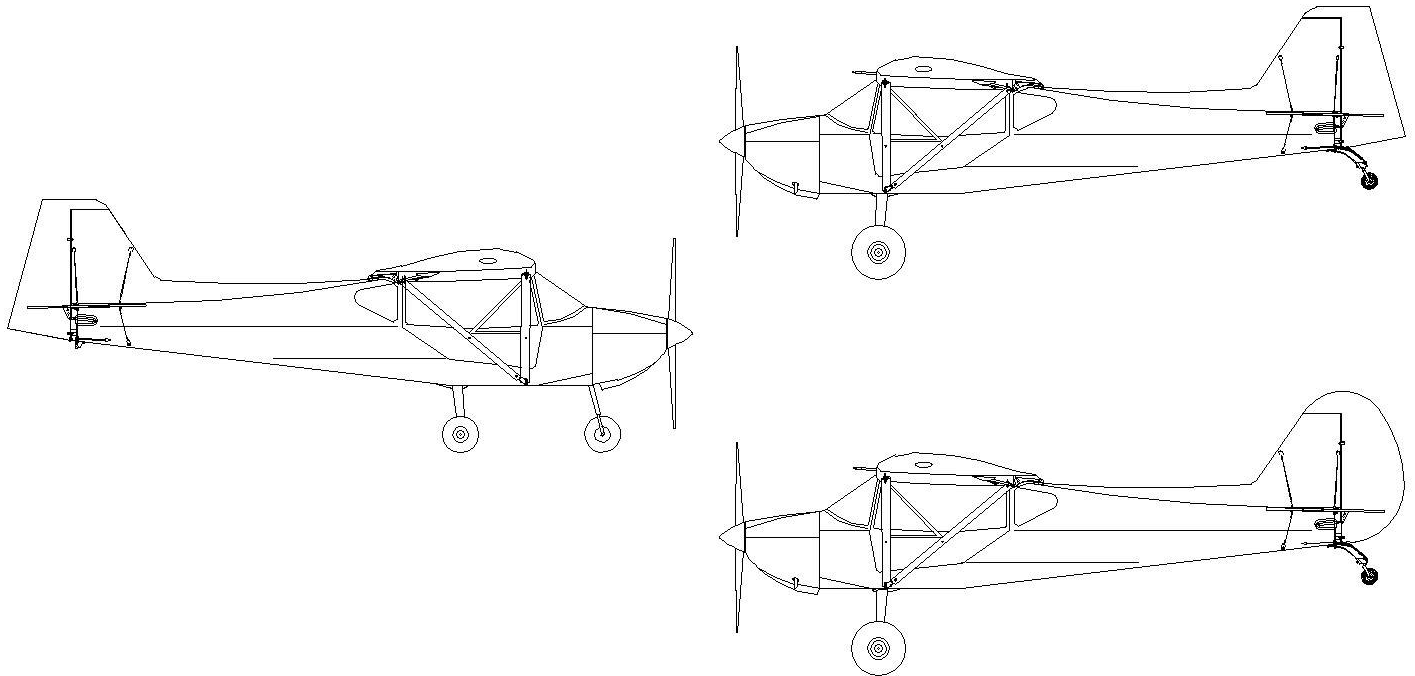
07 - WINDSHIELD & DOORS

WINDSHIELD & SKYLIGHT INSTALLATION 07-01
WING CUFF INSTALLATION 07-06
DOOR ASSEMBLY - LEXAN AND TRIM07A-01
DOOR LATCH ASSEMBLY07A-03



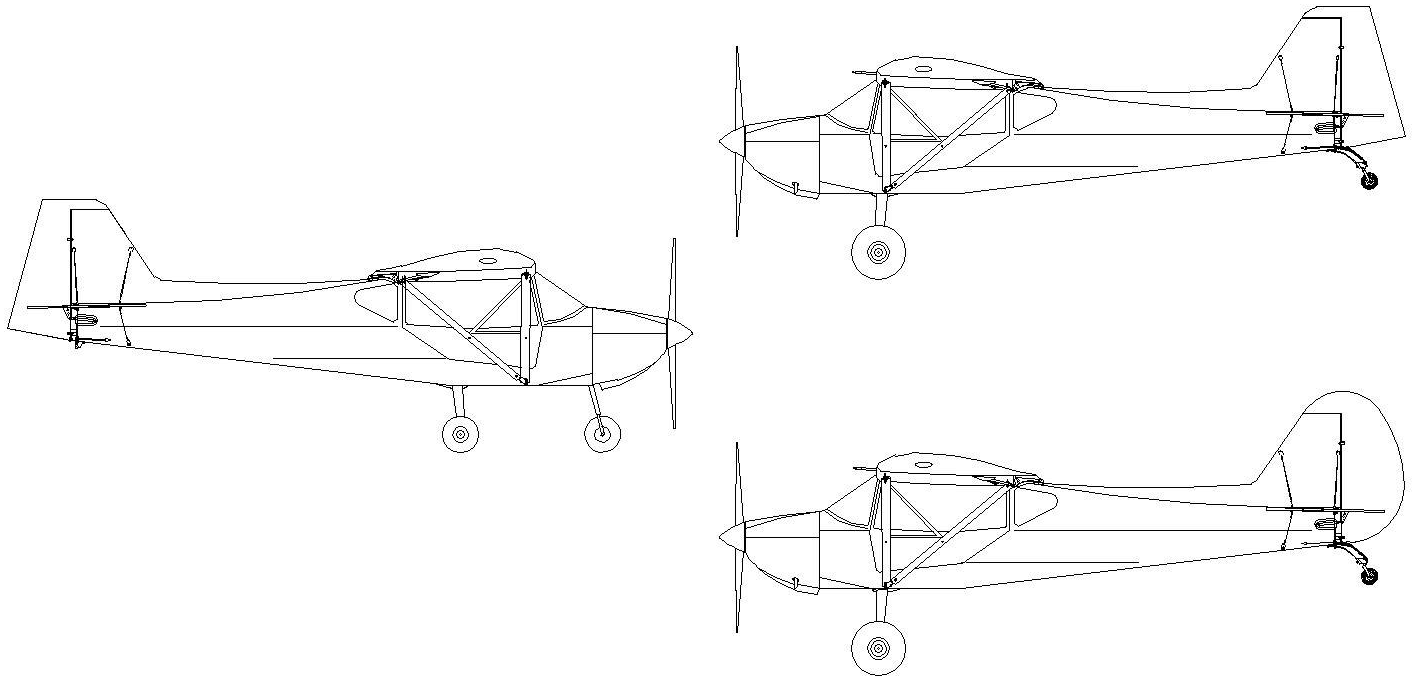
08 - COVERING

GENERAL INFORMATION 08-01
WINGS08A-01
AILERONS AND FLAPS08B-01
FUSELAGE08C-01
HORIZONTAL STABILIZERS08D-01
RUDDER08E-01
ELEVATOR 08F-01



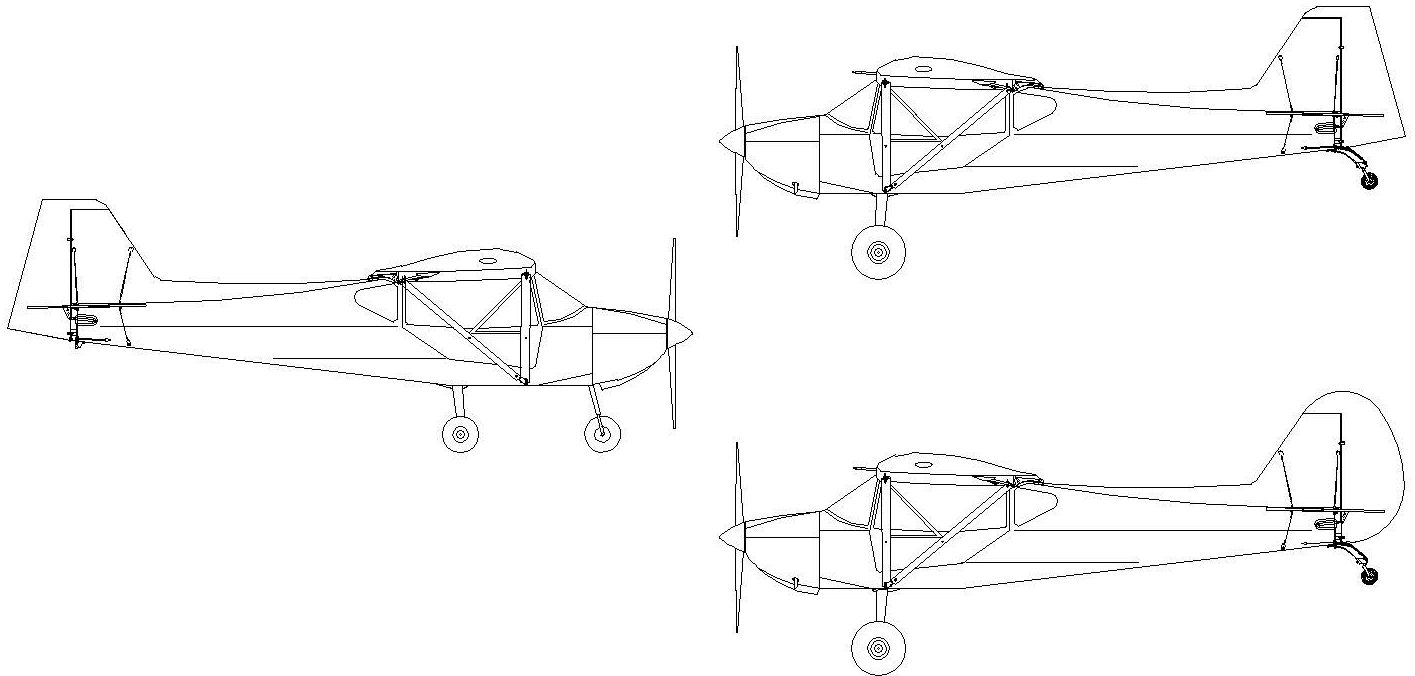
09 - SEAT BELTS & INTERIOR

SEAT BELT INSTALLATION 09-01



10 - OPTIONS

AVEO STROBE INSTALLATION 10-01
LANDING LIGHT INSTALLATION 10A-01
PASSENGER SEAT ELECTRIC ELEVATOR TRIM 10B-01
TIE DOWN SHACKLE INSTALLATION 10C-01
COVER / PAINT STANDS 10D-01
26" ALASKAN WHEEL ASSEMBLY AND INSTALLATION 10E-01
10" PNEUMATIC TAIL WHEEL ASSEMBLY AND INSTALLATION 10F-01



11 - RIGGING

RIGGING AND PREPARATION FOR FLIGHT 11-01

ELEVATOR MASS BALANCE 11-01

WINGS 11A-01

 WINGS WASHOUT RIGGING 11A-01

 AILERON RIGGING 11A-02

 FLAP RIGGING 11A-03

TAIL SURFACES 11B-01

 TAIL ALIGNMENT AND ROD TENSION 11B-01

 ELEVATOR 11B-02

 ELEVATOR TRIM TAB 11B-04

 RUDDER 11B-04

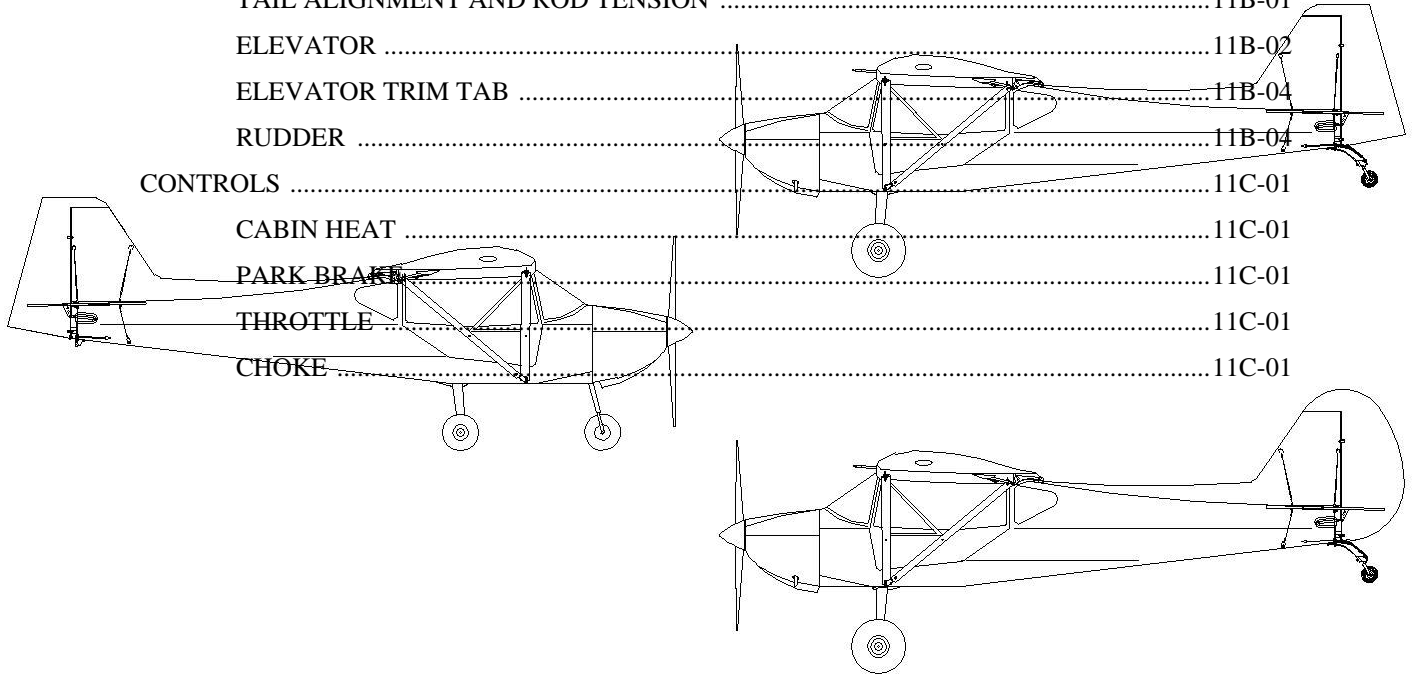
CONTROLS 11C-01

 CABIN HEAT 11C-01

 PARK BRAKE 11C-01

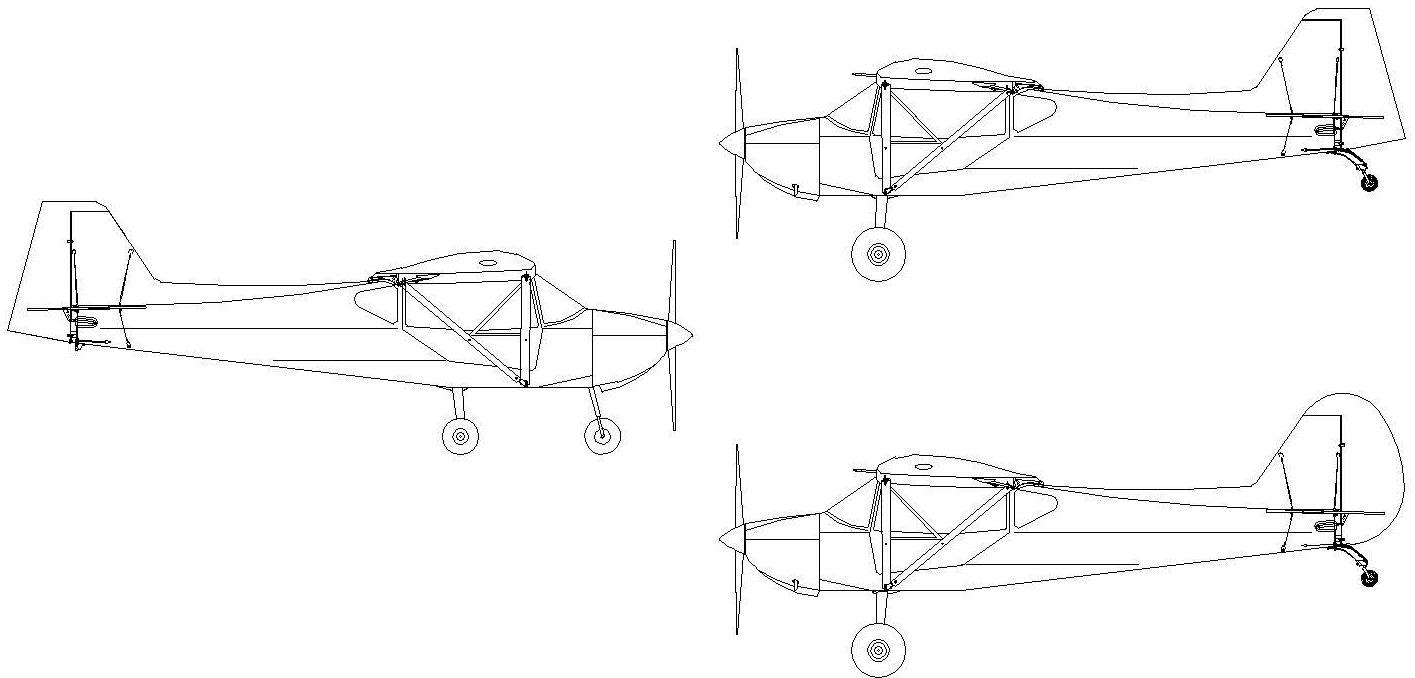
 THROTTLE 11C-01

 CHOKE 11C-01



12 - WEIGHT & BALANCE

WEIGHT AND BALANCE	12-01
INTRODUCTION.....	12-01
AIRPLANE WEIGHING PROCEDURES	12-02
WEIGHT AND BALANCE	12-03



PARTS MANUAL INDEX

GENERAL000

FUSELAGE SYSTEMS.....001

CONTROL SYSTEMS002

ENGINE003

INSTRUMENTS - PITOT/STATIC004

WING005

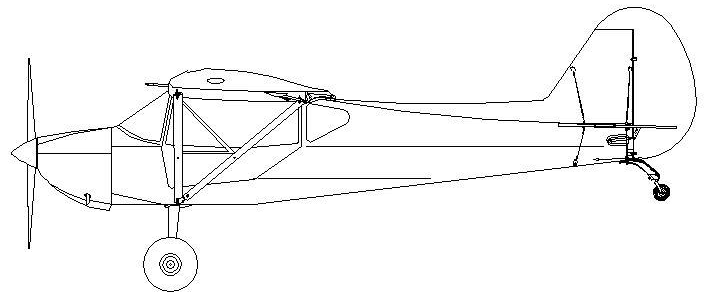
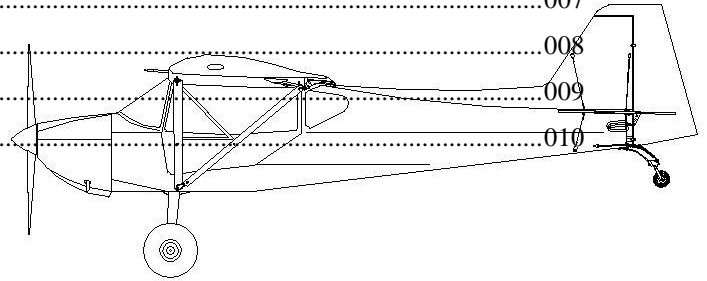
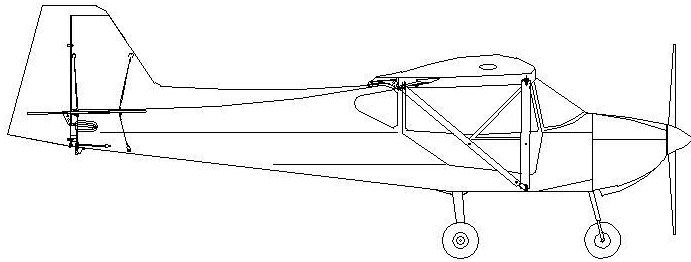
BOOT COWL & PANEL006

WINDSHIELD & DOORS007

COVERING008

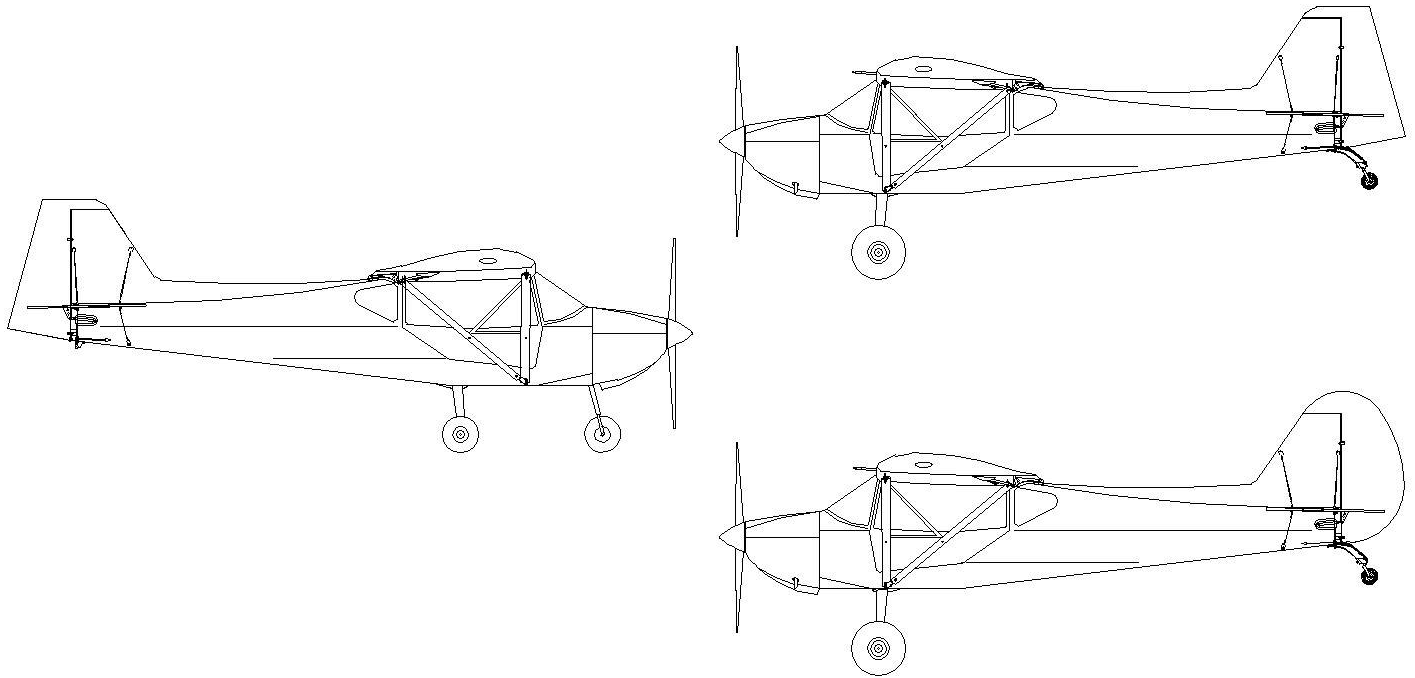
SEAT BELTS & INTERIOR009

OPTIONS010



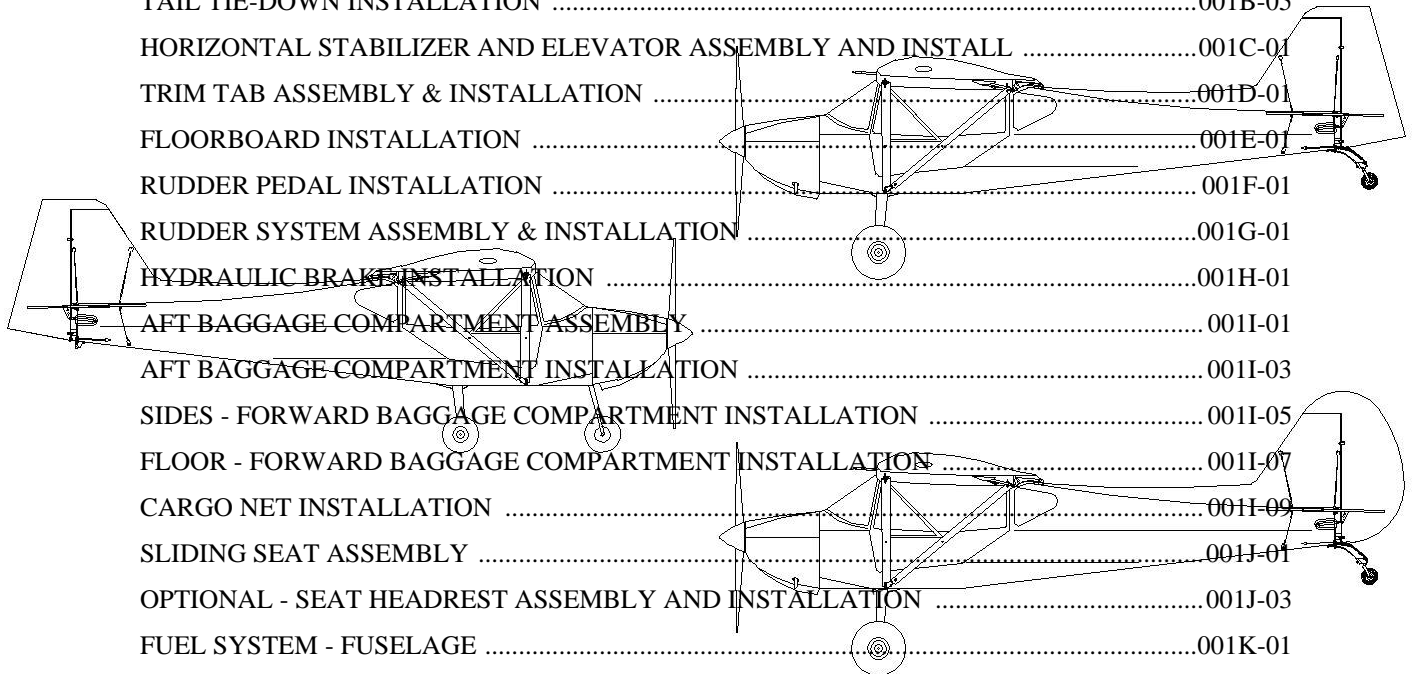
000 - GENERAL INFO

GENERAL 000-01
PLACARDS / LABELS / MARKERS 000-02



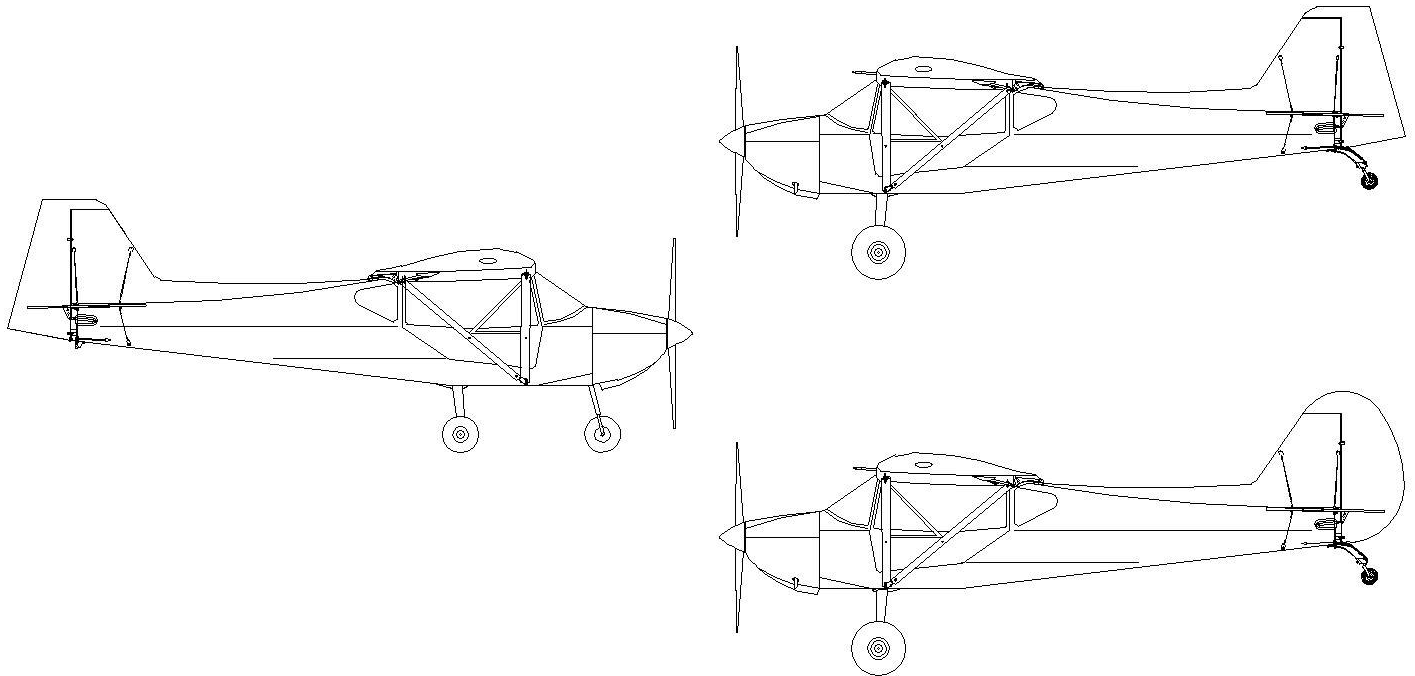
001 - FUSELAGE SYSTEMS

FUSELAGE FORMER INSTALLATION	001-01
ELT & COMMUNICATIONS ANTENNA MOUNT INSTALLATION	001-03
BAGGAGE WINDOW INSTALLATION	001-05
TAILDRAGGER - MAIN GEAR ASSEMBLY AND INSTALLATION	001A-01
TRIKE - MAIN GEAR ASSEMBLY AND INSTALLATION	001A-03
TAIL WHEEL ASSEMBLY & INSTALLATION	001B-01
NOSE GEAR ASSEMBLY & INSTALLATION.....	001B-03
TAIL TIE-DOWN INSTALLATION	001B-05
HORIZONTAL STABILIZER AND ELEVATOR ASSEMBLY AND INSTALL	001C-01
TRIM TAB ASSEMBLY & INSTALLATION	001D-01
FLOORBOARD INSTALLATION	001E-01
RUDDER PEDAL INSTALLATION	001F-01
RUDDER SYSTEM ASSEMBLY & INSTALLATION	001G-01
HYDRAULIC BRAKE INSTALLATION	001H-01
AFT BAGGAGE COMPARTMENT ASSEMBLY	001I-01
AFT BAGGAGE COMPARTMENT INSTALLATION	001I-03
SIDES - FORWARD BAGGAGE COMPARTMENT INSTALLATION	001I-05
FLOOR - FORWARD BAGGAGE COMPARTMENT INSTALLATION	001I-07
CARGO NET INSTALLATION	001I-09
SLIDING SEAT ASSEMBLY	001J-01
OPTIONAL - SEAT HEADREST ASSEMBLY AND INSTALLATION	001J-03
FUEL SYSTEM - FUSELAGE	001K-01
FUEL SYSTEM - OPTIONAL ELECTRIC FUEL PUMP	001K-03



002 - CONTROL SYSTEMS

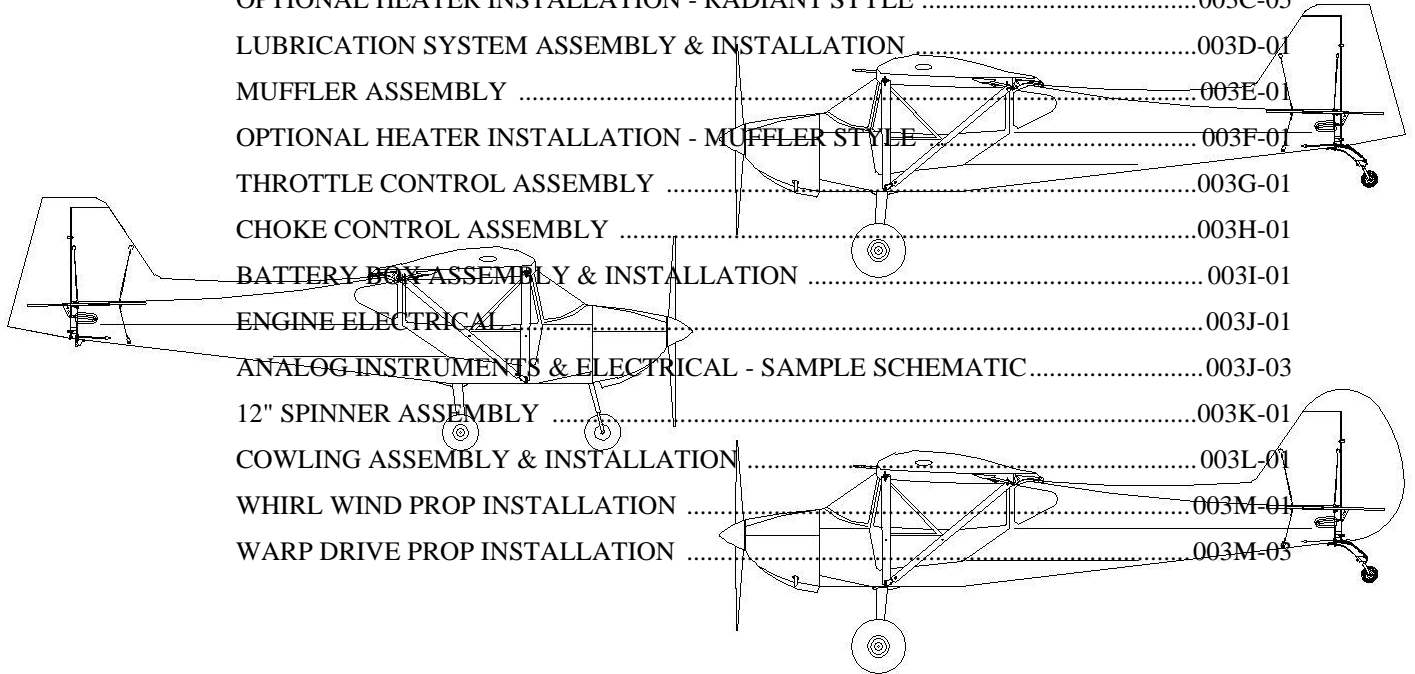
CONTROL STICK ASSEMBLY & INSTALLATION 002-01
CONTROL STICK PUSH-PULL TUBE ASSEMBLY & INSTALLATION.....002A-01
ELEVATOR PUSH-PULL TUBE ASSEMBLY & INSTALLATION002B-01
AILERON CABLE SYSTEM INSTALLATION - FUSELAGE002C-01
FLAP LEVER ASSEMBLY AND INSTALLATION.....002D-01



003 - ENGINE

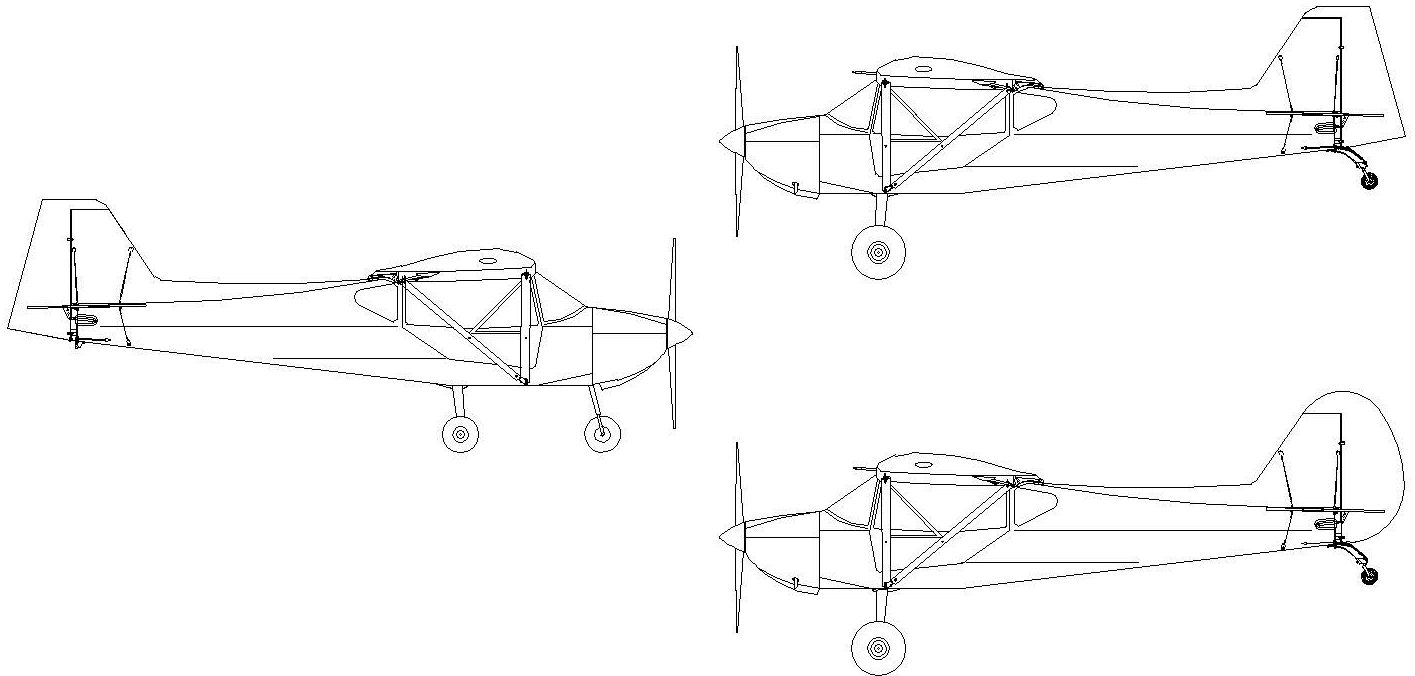
ROTAX 912ULS

ENGINE MOUNT INSTALLATION	003-01
ENGINE ACCESSORY INSTALLATION	003A-01
FUEL SYSTEM - FIREWALL FORWARD	003B-01
COOLING SYSTEM INSTALLATION	003C-01
RADIATOR DUCT INSTALLATION	003C-03
OPTIONAL HEATER INSTALLATION - RADIANT STYLE	003C-05
LUBRICATION SYSTEM ASSEMBLY & INSTALLATION	003D-01
MUFFLER ASSEMBLY	003E-01
OPTIONAL HEATER INSTALLATION - MUFFLER STYLE	003F-01
THROTTLE CONTROL ASSEMBLY	003G-01
CHOKE CONTROL ASSEMBLY	003H-01
BATTERY BOX ASSEMBLY & INSTALLATION	003I-01
ENGINE ELECTRICAL	003J-01
ANALOG INSTRUMENTS & ELECTRICAL - SAMPLE SCHEMATIC	003J-03
12" SPINNER ASSEMBLY	003K-01
COWLING ASSEMBLY & INSTALLATION	003L-01
WHIRL WIND PROP INSTALLATION	003M-01
WARP DRIVE PROP INSTALLATION	003M-05



004 - INSTRUMENTS - PITOT/STATIC

PITOT/STATIC TO INSTRUMENTS INSTALLATION 004-01



005 - WING

UNIVERSAL HINGE 005-01

MAIN STRUCTURE ASSEMBLY 005-03

FUEL TANK ASSEMBLY & INSTALLATION005A-01

FUEL CAP ASSEMBLY005A-03

AILERON BELLCRANK AND CABLE INSTALLATION005B-01

ROOT RIB ASSEMBLY005C-01

RIB ASSEMBLY005C-03

TIP RIB ASSEMBLY005C-05

RIB & SHEET METAL005C-07

FLAP ASSEMBLY AND INSTALLATION005D-01

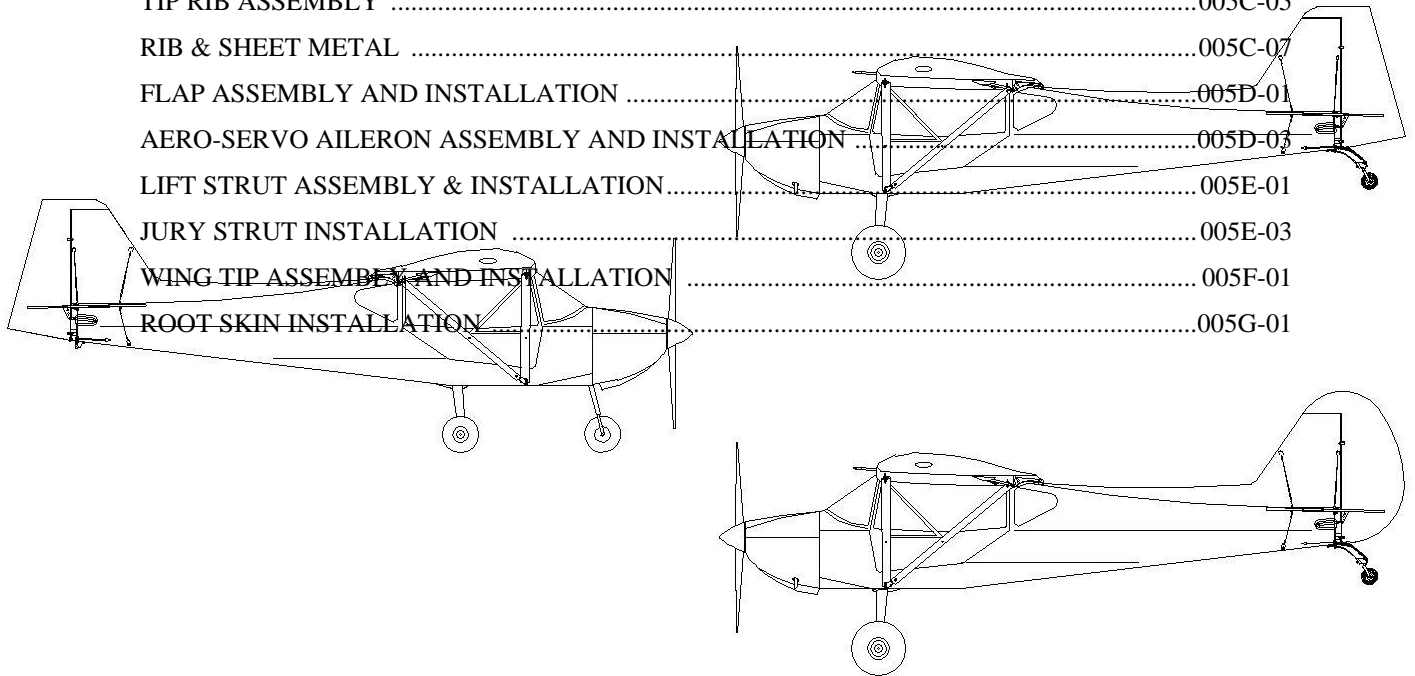
AERO-SERVO AILERON ASSEMBLY AND INSTALLATION005D-03

LIFT STRUT ASSEMBLY & INSTALLATION..... 005E-01

JURY STRUT INSTALLATION 005E-03

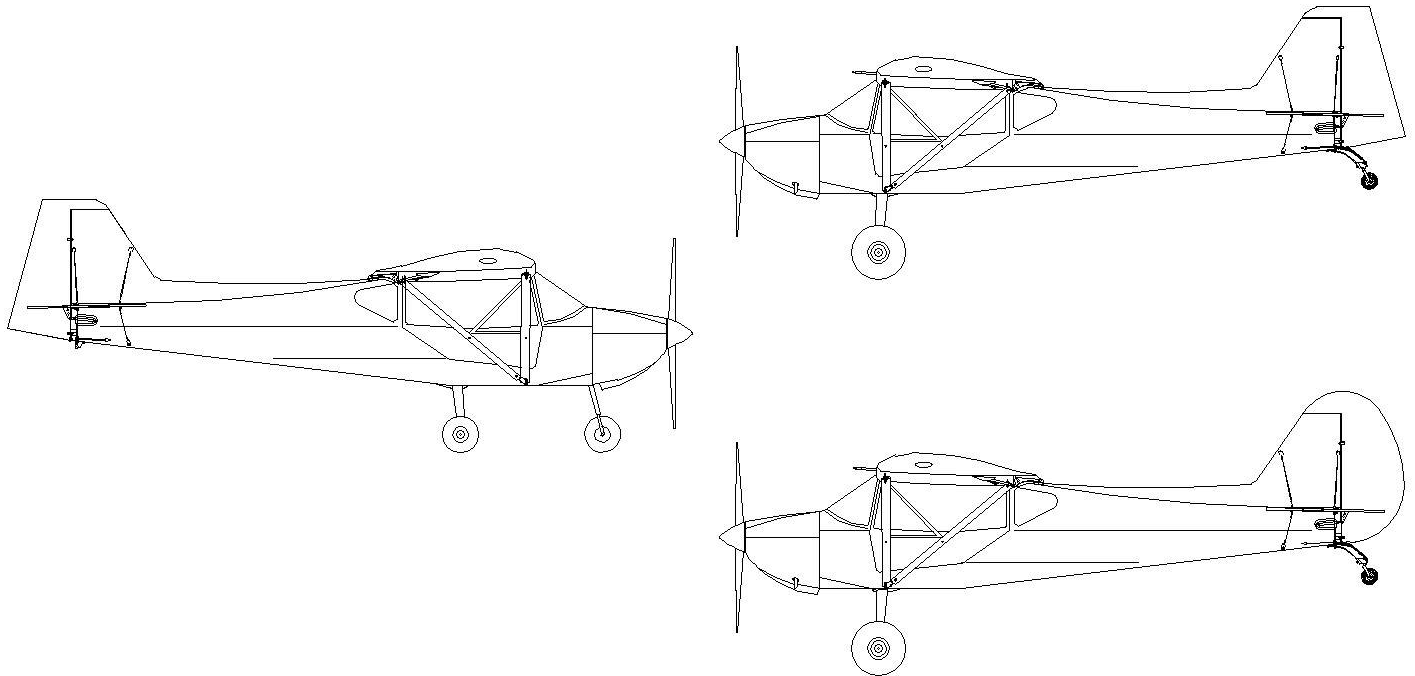
WING TIP ASSEMBLY AND INSTALLATION 005F-01

ROOT SKIN INSTALLATION005G-01



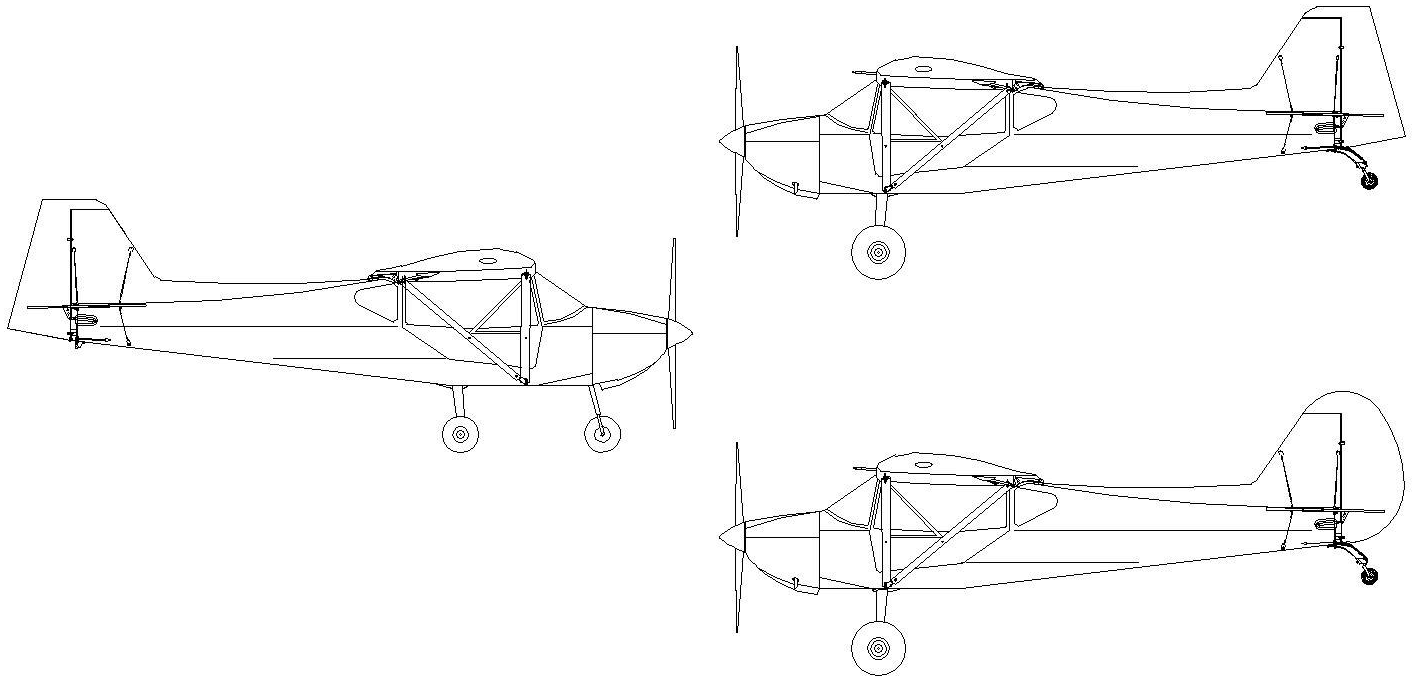
006 - BOOT COWL & PANEL

BOOT COWL ASSEMBLY 006-01
VENT SYSTEM INSTALLATION 006-03
INSTRUMENT PANEL INSTALLATION006A-01
INSTRUMENT SUB-PANEL & RADIO MOUNT PLATES INSTALLATION006A-03



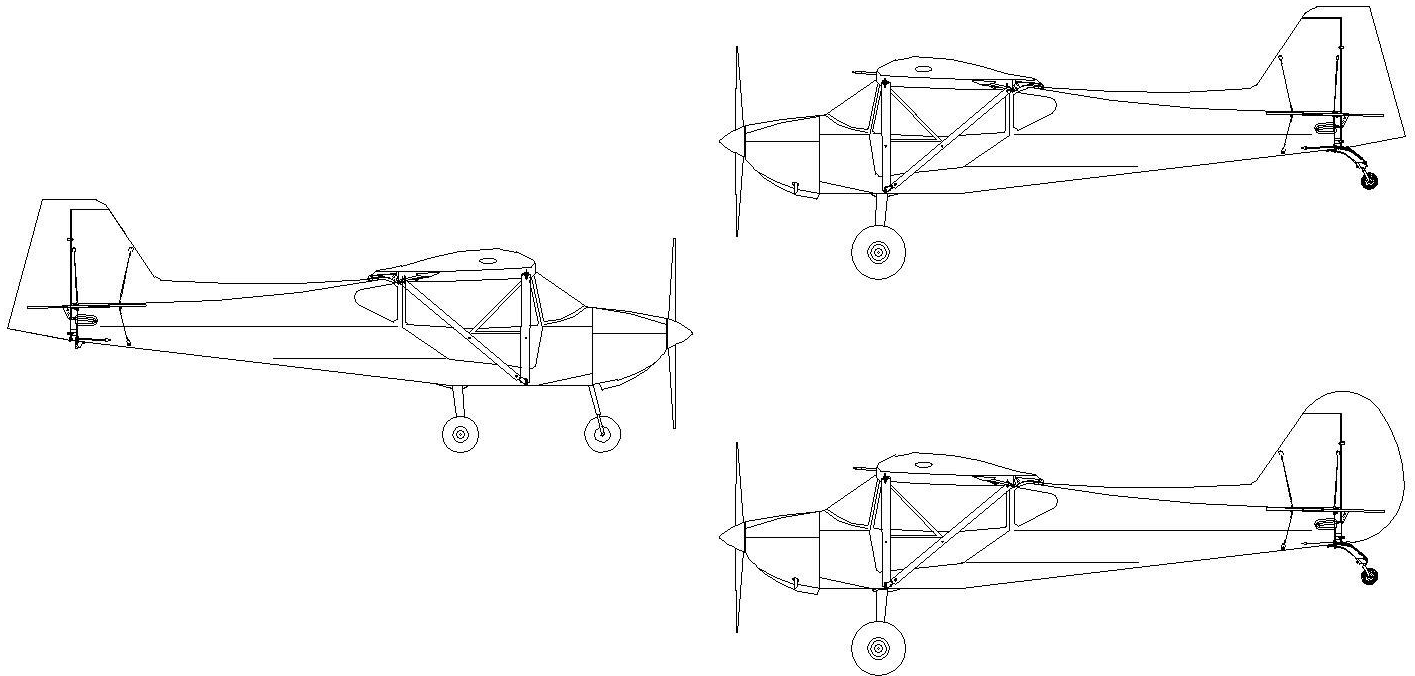
007 - WINDSHIELD & DOORS

WINDSHIELD & SKYLIGHT INSTALLATION 007-01
DOOR ASSEMBLY - LEXAN AND TRIM007A-01
DOOR LATCH AND DOOR ASSEMBLY007A-03



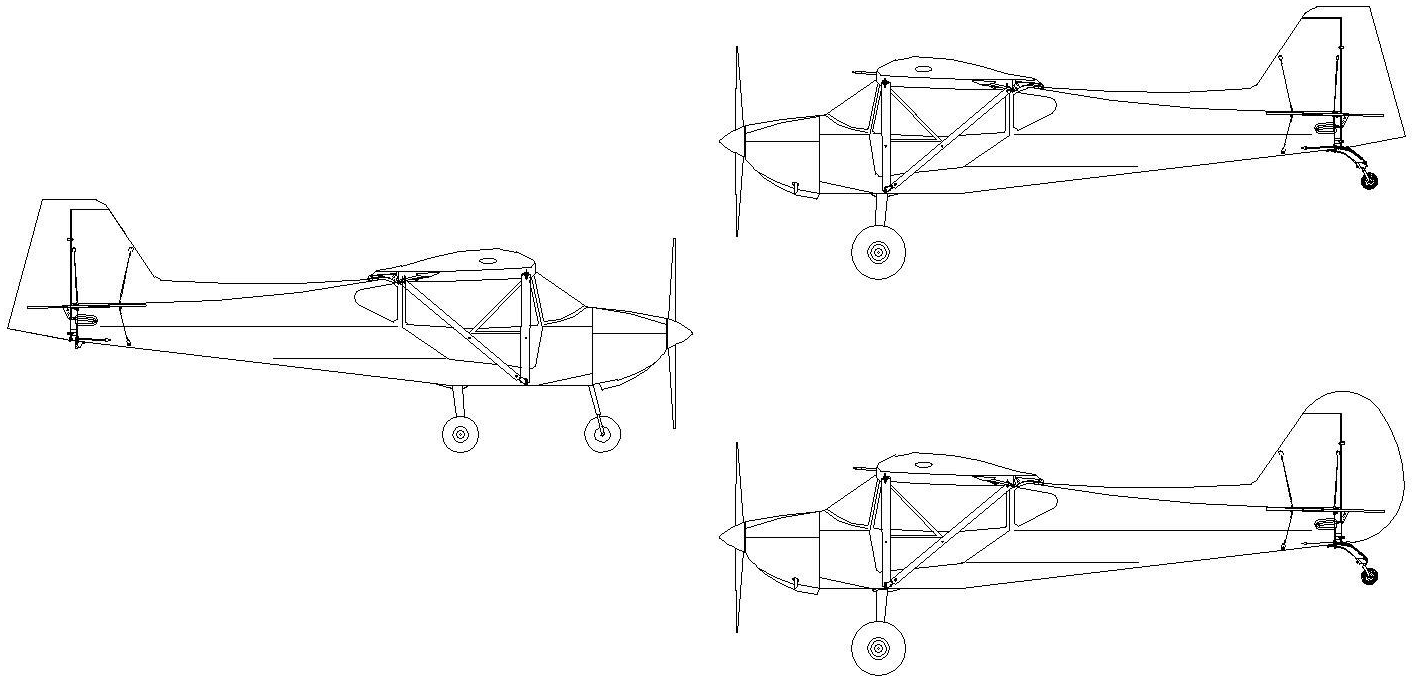
008 - COVERING

COVERING SUPPLIES 008-01



009 - SEAT BELTS & INTERIOR

SEAT BELT INSTALLATION 009-01
INTERIOR INSTALLATION009A-01



010 - OPTIONS

AVEO STROBE INSTALLATION 010-01

LANDING LIGHT INSTALLATION010A-01

PASSENGER SEAT ELECTRIC ELEVATOR TRIM010B-01

TIE DOWN SHACKLE INSTALLATION010C-01

COVER / PAINT STANDS - FUSELAGE010D-01

COVER / PAINT STANDS - WING010D-03

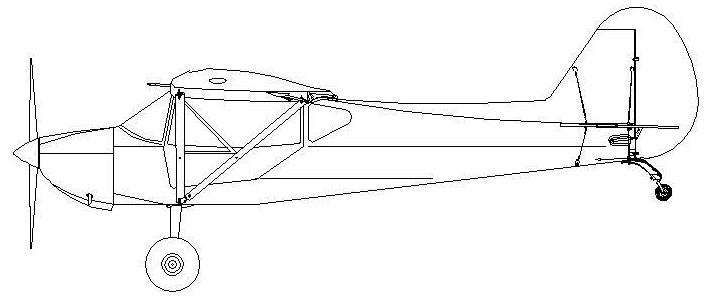
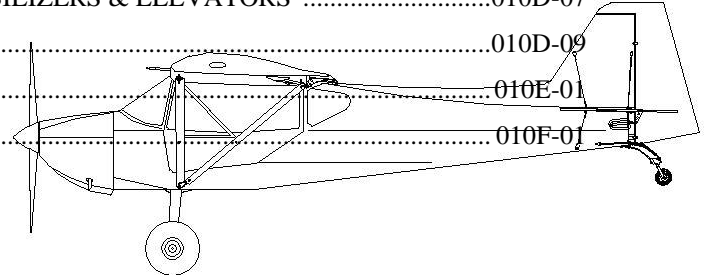
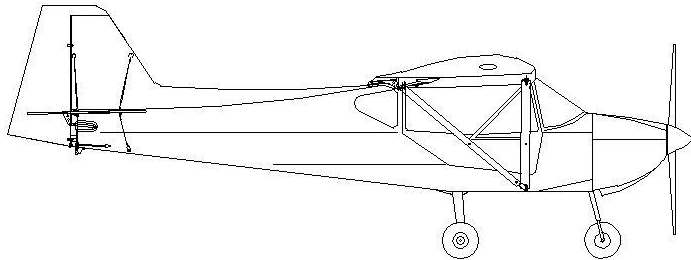
COVER / PAINT STANDS - FLAPS & AILERONS010D-05

COVER / PAINT STANDS - HORIZONTAL STABILIZERS & ELEVATORS010D-07

COVER / PAINT STANDS - RUDDER010D-09

26" ALASKAN WHEELS010E-01

10" TAILWHEEL010F-01



FIGURES MANUAL INDEX

GENERAL00

FUSELAGE SYSTEMS.....01

CONTROL SYSTEMS02

ENGINE03

INSTRUMENTS - PITOT/STATIC04

WING05

BOOT COWL & PANEL06

WINDSHIELD & DOORS07

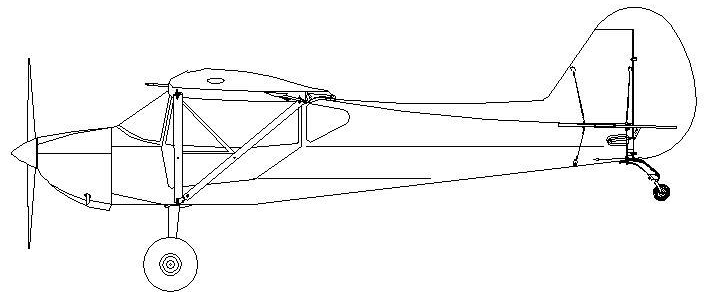
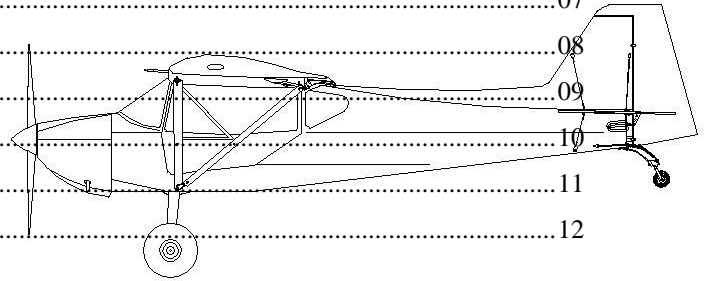
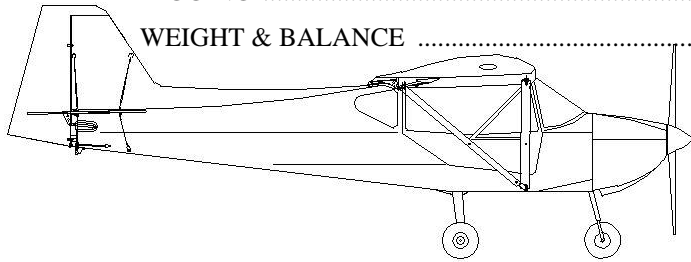
COVERING08

SEAT BELTS & INTERIOR09

OPTIONS10

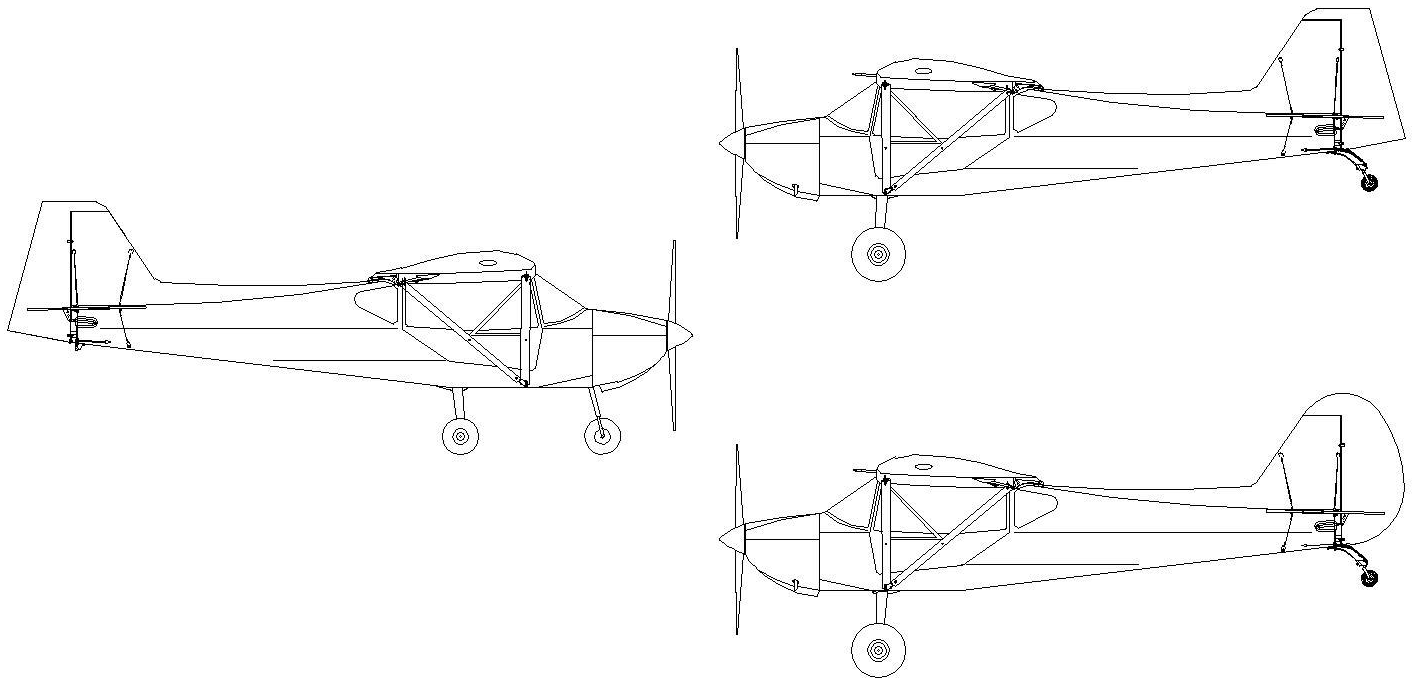
RIGGING11

WEIGHT & BALANCE12



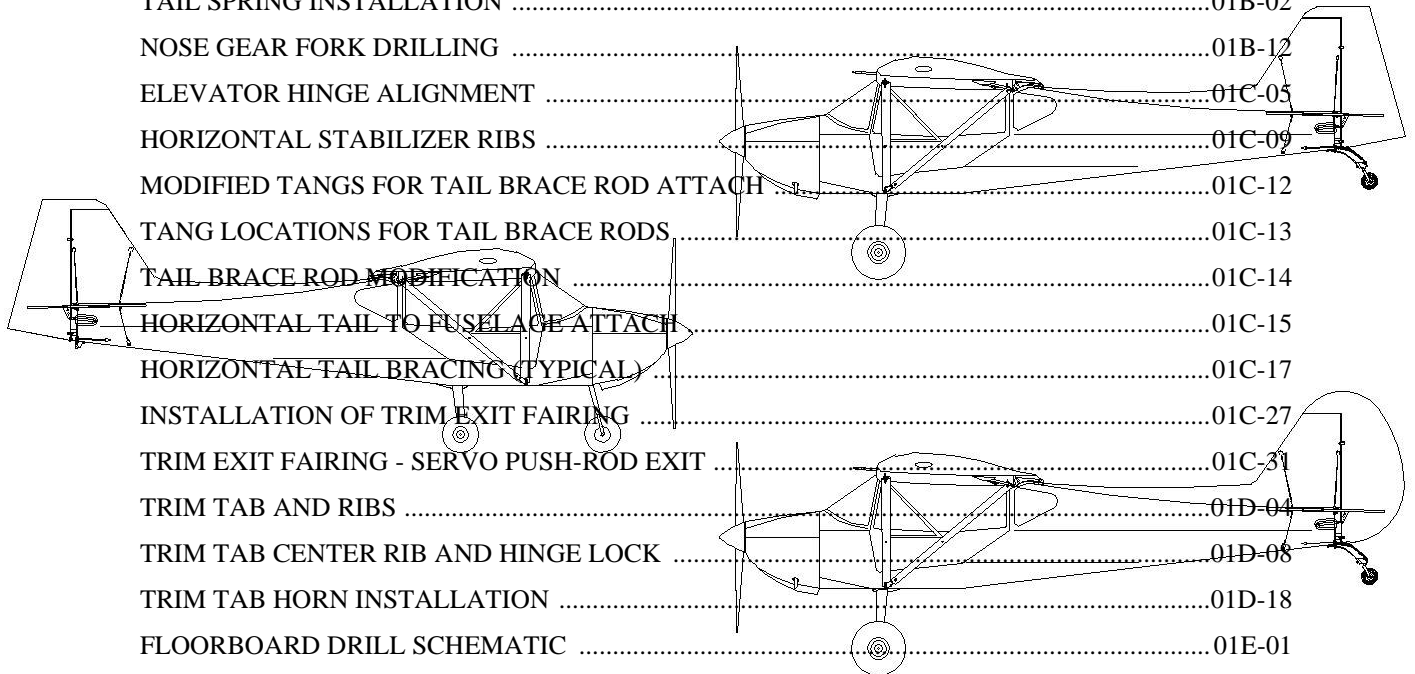
00 - GENERAL INFO

PARTS ORGANIZATION 00-01
PARTS INVENTORY "A" FRAME00-01A
FUSELAGE STATION IDENTIFICATION 00-02
SERIAL NUMBER PLATE LOCATION 00-03



01 - FUSELAGE SYSTEMS

TOP FORMER MODIFICATION	01-01
TOP FORMER ATTACHMENT	01-04
SIDE FORMER ATTACHMENT	01-08
BELLY FORMER ATTACHMENT	01-15
VERTICAL STABILIZER RIB	01-19
MAIN LANDING GEAR LOCATIONS	01A-04
TOP MAIN GEAR CLAMP PLATE ORIENTATION	01A-05
TAIL SPRING INSTALLATION	01B-02
NOSE GEAR FORK DRILLING	01B-12
ELEVATOR HINGE ALIGNMENT	01C-05
HORIZONTAL STABILIZER RIBS	01C-09
MODIFIED TANGS FOR TAIL BRACE ROD ATTACH	01C-12
TANG LOCATIONS FOR TAIL BRACE RODS	01C-13
TAIL BRACE ROD MODIFICATION	01C-14
HORIZONTAL TAIL TO FUSELAGE ATTACH	01C-15
HORIZONTAL TAIL BRACING (TYPICAL)	01C-17
INSTALLATION OF TRIM EXIT FAIRING	01C-27
TRIM EXIT FAIRING - SERVO PUSH-ROD EXIT	01C-31
TRIM TAB AND RIBS	01D-04
TRIM TAB CENTER RIB AND HINGE LOCK	01D-08
TRIM TAB HORN INSTALLATION	01D-18
FLOORBOARD DRILL SCHEMATIC	01E-01
RUDDER PEDAL INSTALLATION	01F-02
RUDDER PEDAL INSTALLATION	01F-03
RUDDER HINGE ALIGNMENT	01G-01
INSTALL RUDDER CABLES FOR COVERING	01G-05
TRIKE - RUDDER CABLE TO RUDDER ATTACH	01G-11
TAILDRAGGER - RUDDER CABLE TO RUDDER ATTACH	01G-12
PARK BRAKE BACKING PLATE MODIFICATION	01H-02
FIREWALL MODIFICATION FOR HYDRAULIC BRAKE INSTALL	01H-03
BRAKE SYSTEM SCHEMATIC	01H-06
CONTROL CABLE INSTALLATION	01H-14
AFT BAGGAGE COMPARTMENT - STATION 4	01I-07



AFT BAGGAGE COMPARTMENT - BOTTOM 01I-07A

FORWARD BAGGAGE COMPARTMENT - BOTTOM 01I-12

SLIDING SEAT BRACKET POSITIONING 01J-01

RIVET-NUT INSTALLATION 01J-02

SEAT BACK ORIENTATION 01J-04

SLIDING SEAT BOTTOM FRAME MODIFICATION..... 01J-05

SEAT BOTTOM PAN INSTALLATION 01J-06

MULTI-HOLE TANG MODIFICATION 01J-08

SLIDING SEAT RAIL LOCATION..... 01J-12

SEAT BACK PLATE DRILLING 01J-14

SEAT BACK COVERING DETAIL 01J-16

SEAT BOTTOM COVERING DETAIL 01J-16A

OPTIONAL HEADREST - DRILLING 01J-24

SEAT BACK FRAME DRILLING 01J-25

SEAT HEADREST TO SEAT BACK FRAME DRILLING 01J-26

RIVET-NUT INSTALLATION 01J-27

HEADER TANK MOUNT 01K-01

2.75 GALLON HEADER TANK MODIFICATION 01K-02

HEADER TANK FITTING INSTALLATION 01K-03

HEADER TANK MOUNT CHANNEL MODIFICATION 01K-08

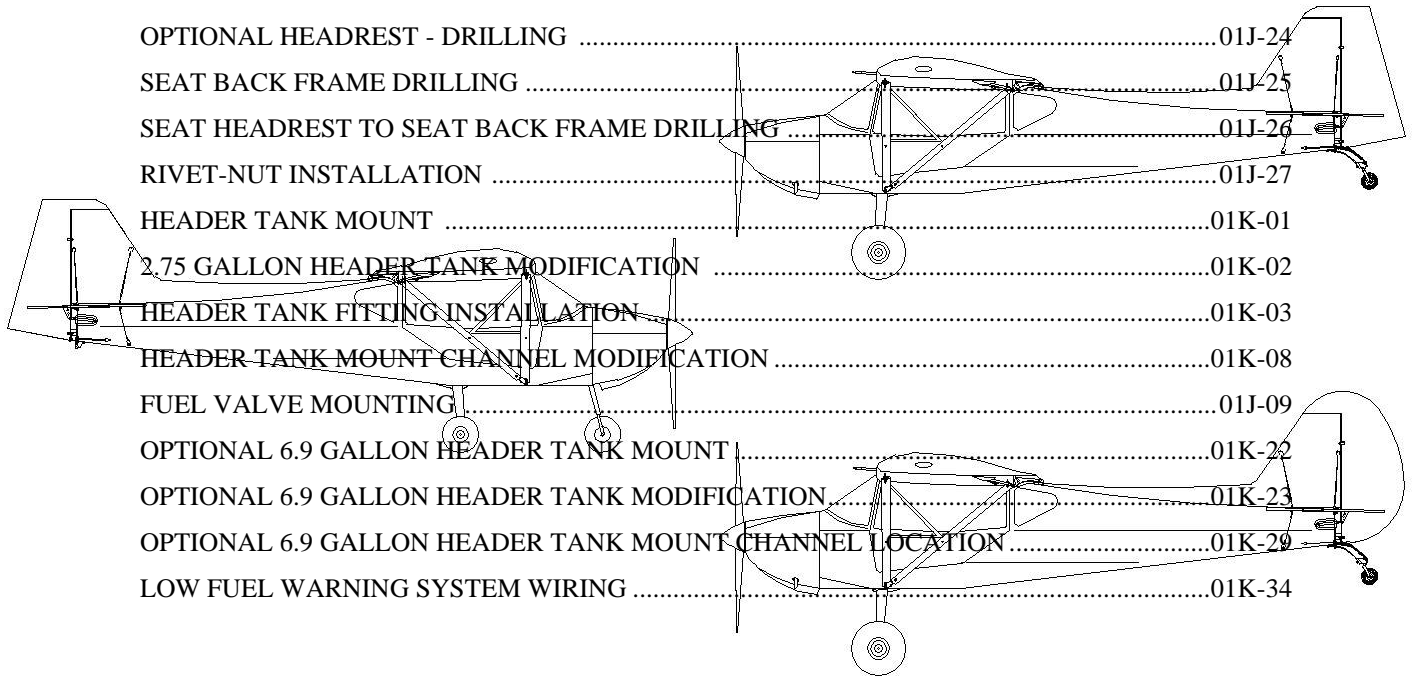
FUEL VALVE MOUNTING..... 01J-09

OPTIONAL 6.9 GALLON HEADER TANK MOUNT 01K-22

OPTIONAL 6.9 GALLON HEADER TANK MODIFICATION..... 01K-23

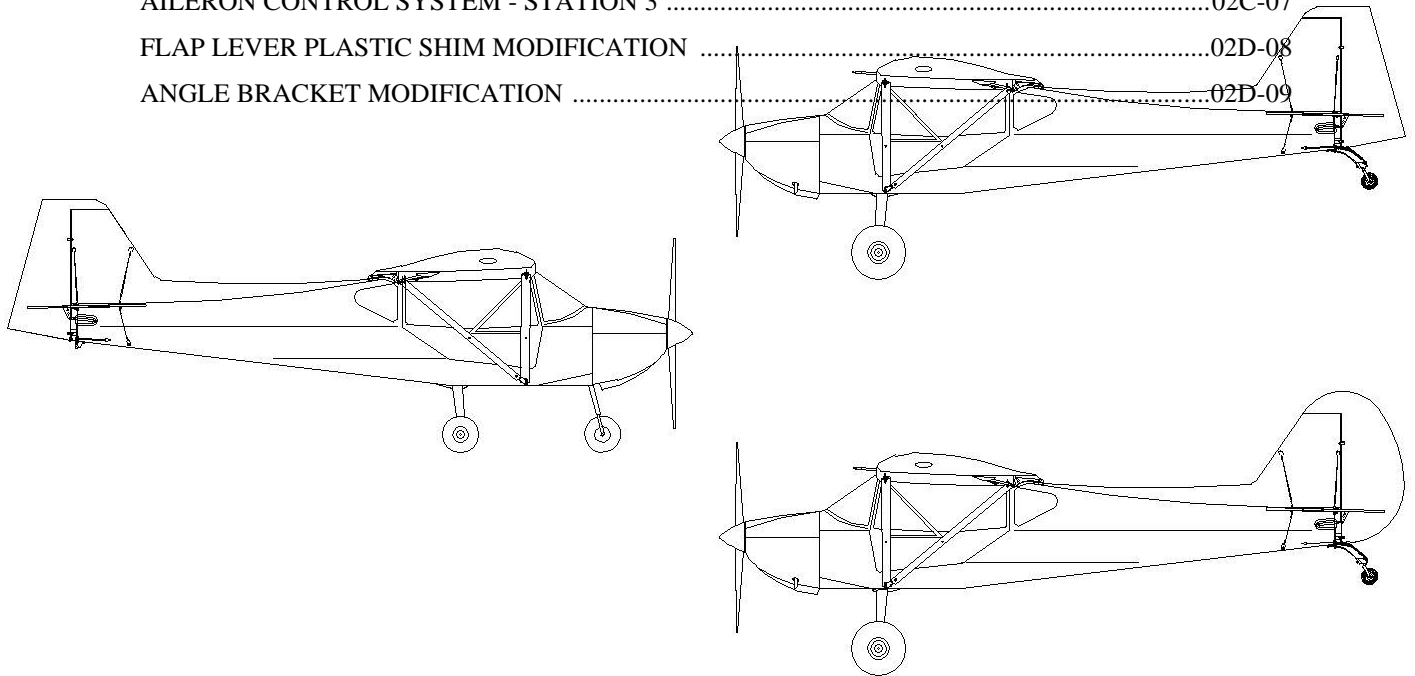
OPTIONAL 6.9 GALLON HEADER TANK MOUNT CHANNEL LOCATION 01K-29

LOW FUEL WARNING SYSTEM WIRING 01K-34



02 - CONTROL SYSTEMS

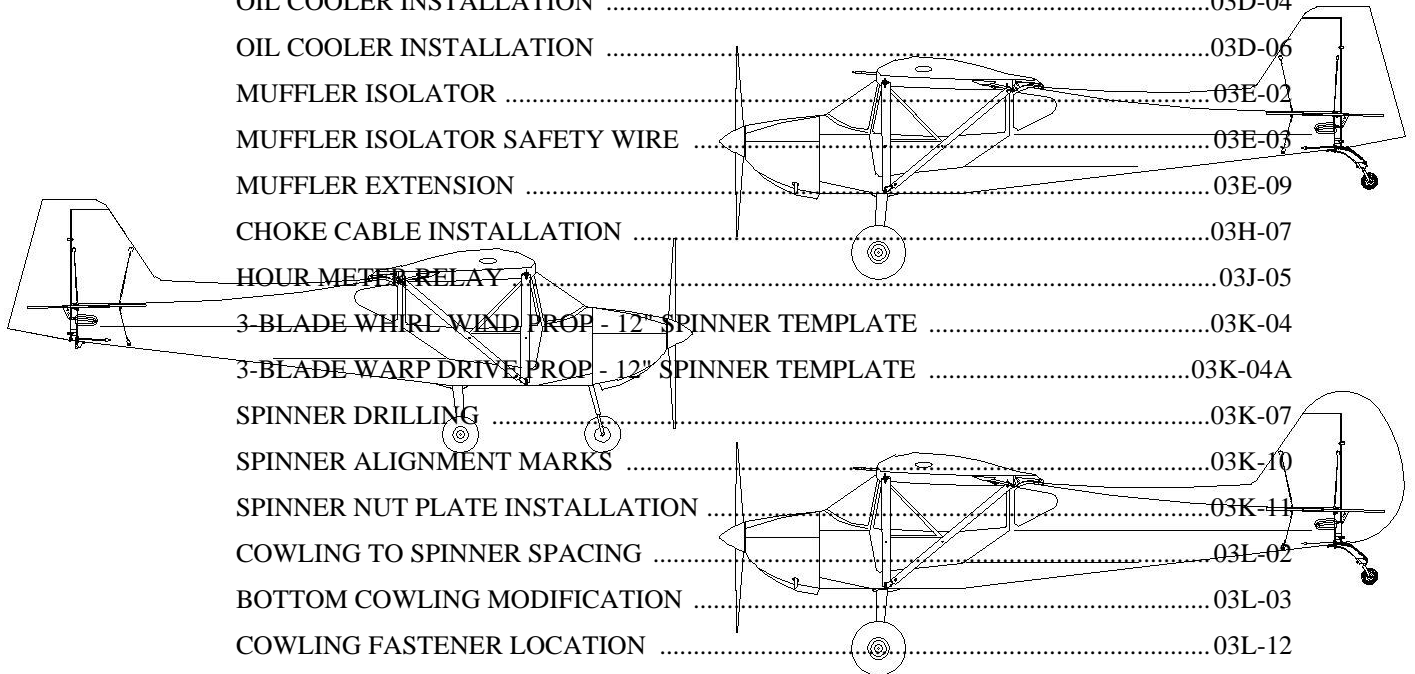
CONTROL STICK MODIFICATION 02-02
CONTROL STICK LINK TUBE 02-05
ALUMINUM STOP SLEEVE FABRICATION02A-02
SIDE PLATE INSTALLATION02A-03
CABLE KEEPER MODIFICATION02A-05
ELEVATOR YOKE ORIENTATION02B-05
AILERON CONTROL SYSTEM OVERVIEW02C-06
AILERON CONTROL SYSTEM - STATION 302C-07
FLAP LEVER PLASTIC SHIM MODIFICATION02D-08
ANGLE BRACKET MODIFICATION02D-09



03 - ENGINE

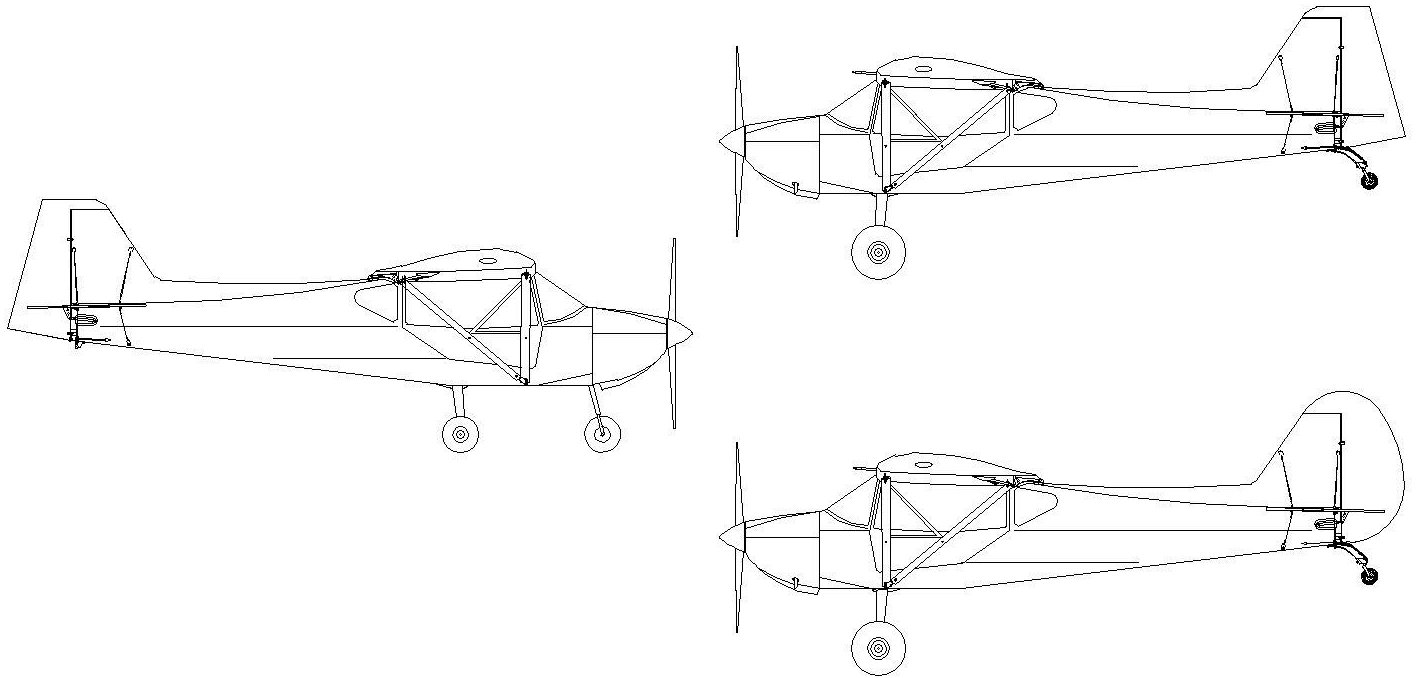
ROTAX 912ULS

FIREWALL MODIFICATION	03A-02
FIREWALL ELECTRICAL WIRE PASS-THRU	03A-03
OIL TANK BREATHER TUBE	03A-05
RADIATOR CUSHION CLAMP MOUNTING	03C-05
HEATER CORE ASSEMBLY	03C-19
OIL COOLER INSTALLATION	03D-04
OIL COOLER INSTALLATION	03D-06
MUFFLER ISOLATOR	03E-02
MUFFLER ISOLATOR SAFETY WIRE	03E-03
MUFFLER EXTENSION	03E-09
CHOKE CABLE INSTALLATION	03H-07
HOUR METER RELAY	03J-05
3-BLADE WHIRL WIND PROP - 12" SPINNER TEMPLATE	03K-04
3-BLADE WARP DRIVE PROP - 12" SPINNER TEMPLATE	03K-04A
SPINNER DRILLING	03K-07
SPINNER ALIGNMENT MARKS	03K-10
SPINNER NUT PLATE INSTALLATION	03K-11
COWLING TO SPINNER SPACING	03L-02
BOTTOM COWLING MODIFICATION	03L-03
COWLING FASTENER LOCATION	03L-12
OIL TANK ACCESS OPENING	03L-20
1/4 TURN FASTENER INSTALLATION	03L-28
AIR EXIT MODIFICATION	03L-31
FLANGE BUSHING INSTALLATION	03M-02
PROPELLER TRACKING	03M-06



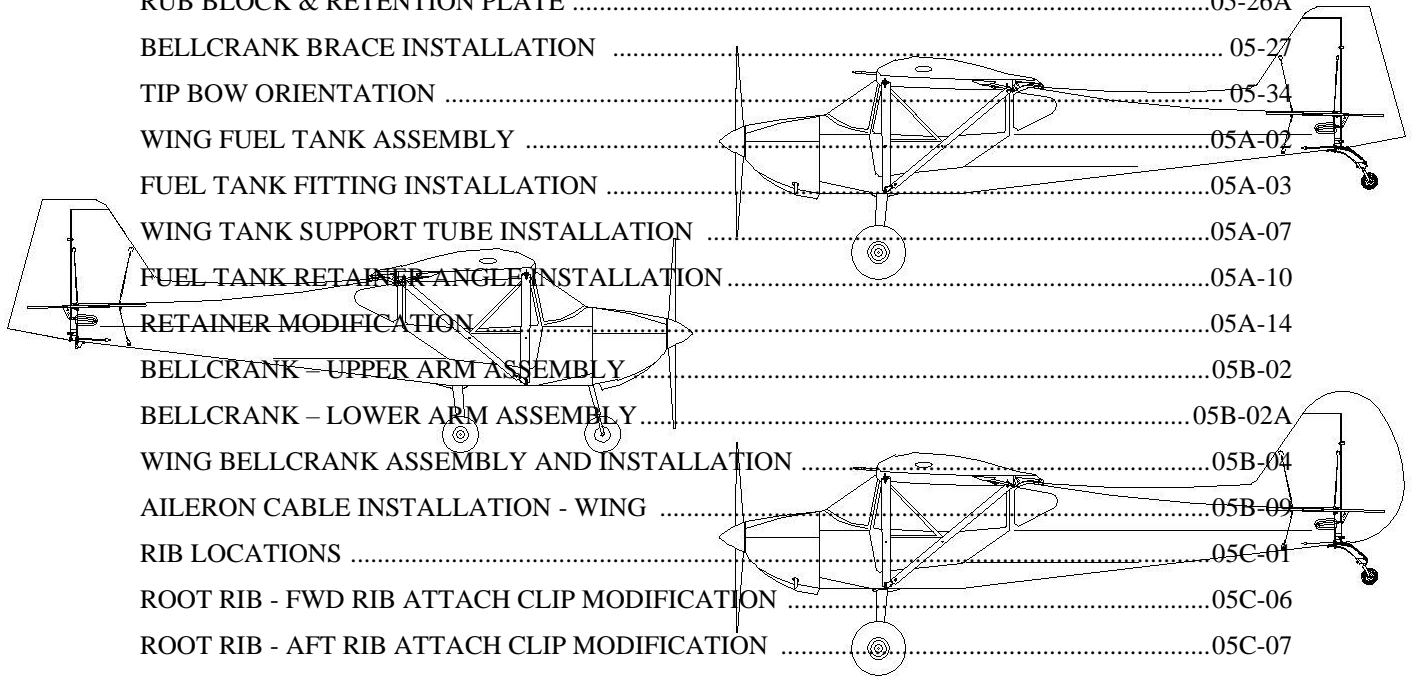
04 - INSTRUMENTS - PITOT/STATIC

NO FIGURE DRAWINGS



05 - WING

WING SPAR ORIENTATION	05-02
WING SPAR ORIENTATION	05-02A
WING SPAR ORIENTATION	05-03
LEADING EDGE SPAR ROOT DOUBLER & PATCH INSTALLATION	05-05
LEADING EDGE SPAR DOUBLER INSTALLATION	05-14
STRUT ATTACH PLATE INSTALLATION	05-18
WING FRAME ASSEMBLY DETAILS	05-26
RUB BLOCK & RETENTION PLATE	05-26A
BELLCRANK BRACE INSTALLATION	05-27
TIP BOW ORIENTATION	05-34
WING FUEL TANK ASSEMBLY	05A-02
FUEL TANK FITTING INSTALLATION	05A-03
WING TANK SUPPORT TUBE INSTALLATION	05A-07
FUEL TANK RETAINER ANGLE INSTALLATION	05A-10
RETAINER MODIFICATION	05A-14
BELLCRANK - UPPER ARM ASSEMBLY	05B-02
BELLCRANK - LOWER ARM ASSEMBLY	05B-02A
WING BELLCRANK ASSEMBLY AND INSTALLATION	05B-04
AILERON CABLE INSTALLATION - WING	05B-09
RIB LOCATIONS	05C-01
ROOT RIB - FWD RIB ATTACH CLIP MODIFICATION	05C-06
ROOT RIB - AFT RIB ATTACH CLIP MODIFICATION	05C-07
ROOT RIB MODIFICATION	05C-09
RIB #8 MODIFICATION	05C-09A
TIP RIB MODIFICATION	05C-09B
TIP RIB CLIP LOCATION	05C-11
TIP RIB STRINGER MODIFICATION	05C-18
UPPER ROOT SKIN MODIFICATION	05C-22
LOWER ROOT SKIN MODIFICATION	05C-23
TOP ROOT SKIN INSTALLATION	05C-30
CAPTURE RING MODIFICATION	05C-36
FUEL CAP HOLE PLACEMENT	05C-37
COVER RING MODIFICATION	05C-41



FUEL SCUPPER ORIENTATION05C-41A

LEADING EDGE TIP WRAP INSTALLATION05C-47

LEADING EDGE WRAP MODIFICATION05C-53

LEADING EDGE & UPPER ROOT WRAP BOND AREA05C-55

LEADING EDGE WRAP CLAMPING05C-56

LEADING EDGE WRAP FILLET05C-58

PITOT/STATIC PROBE ASSEMBLY.....05C-60

PITOT AND STATIC SYSTEM - WING05C-62

FLAP TELEFLEX CABLE INSTALLATION - WING05C-68

AILERON AND FLAP ATTACH ANGLE (TRAILING EDGE)05D-05

FLAP HORN ATTACH ANGLE INSTALLATION05D-08

FLAP HINGE ORIENTATION05D-09

GAP SEAL INSTALLATION05D-13

EXIT FAIRING MODIFICATION05D-19

LIFT STRUT ORIENTATION05E-01

LIFT STRUT SHIMS05E-03

LIFT STRUT GUSSET PLATES05E-04

UPPER AFT LIFT STRUT CONNECTOR MODIFICATION05E-13

CONTROL SURFACE CLEARANCE - WING05F-04

ROOT CLOSEOUT DETAIL05G-03

FUEL SIGHT GAUGE DECAL INSTALLATION05G-04

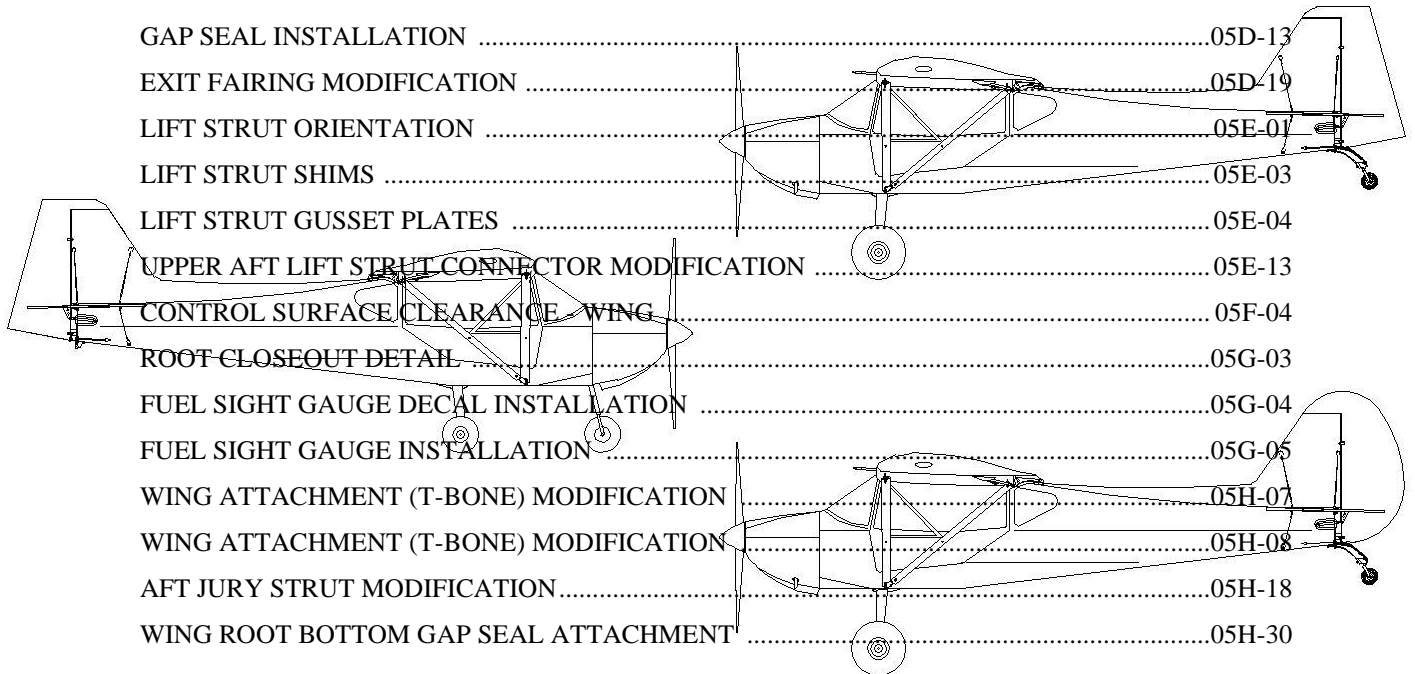
FUEL SIGHT GAUGE INSTALLATION05G-05

WING ATTACHMENT (T-BONE) MODIFICATION05H-07

WING ATTACHMENT (T-BONE) MODIFICATION05H-08

AFT JURY STRUT MODIFICATION.....05H-18

WING ROOT BOTTOM GAP SEAL ATTACHMENT05H-30



06 - BOOT COWL & PANEL

BOOT COWL STIFFENER LOCATION 06-07

BOOT COWL STIFFENER TRIMMING 06-08

SIDE BOOT COWL INSTALLATION 06-11

SIDE BOOT COWL STIFFENER LOCATION 06-13

INSTRUMENT PANEL INSTALLATION - BOOT COWL 06-18

TAB ALIGNMENT 06-19

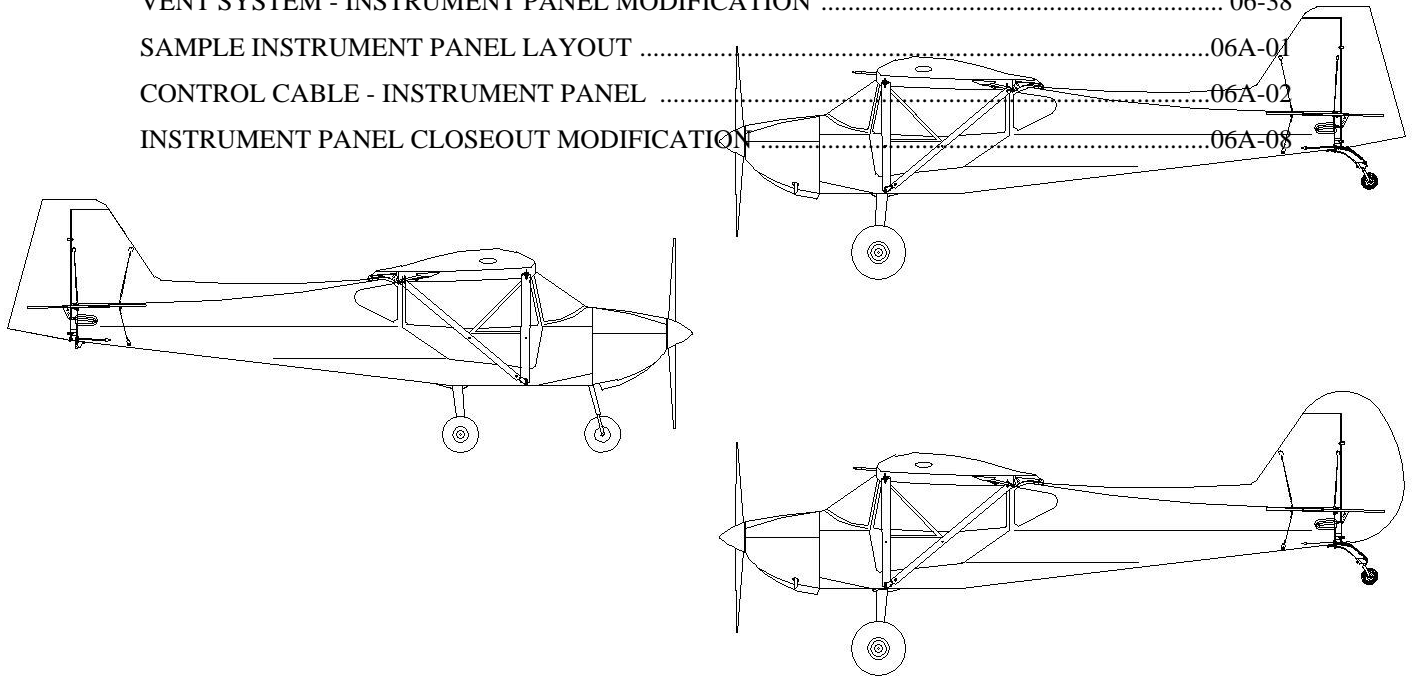
BOOT COWL STRIP TRIMMING 06-29

VENT SYSTEM - INSTRUMENT PANEL MODIFICATION 06-38

SAMPLE INSTRUMENT PANEL LAYOUT06A-01

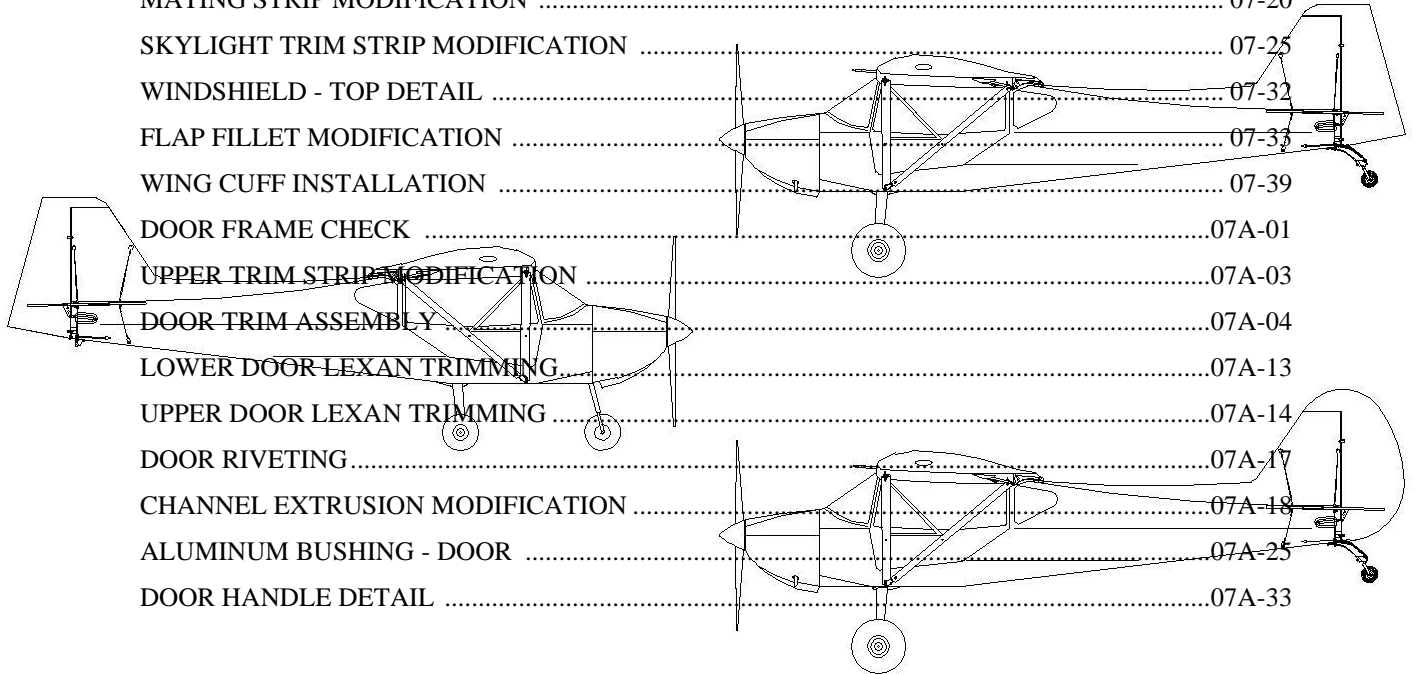
CONTROL CABLE - INSTRUMENT PANEL06A-02

INSTRUMENT PANEL CLOSEOUT MODIFICATION06A-08



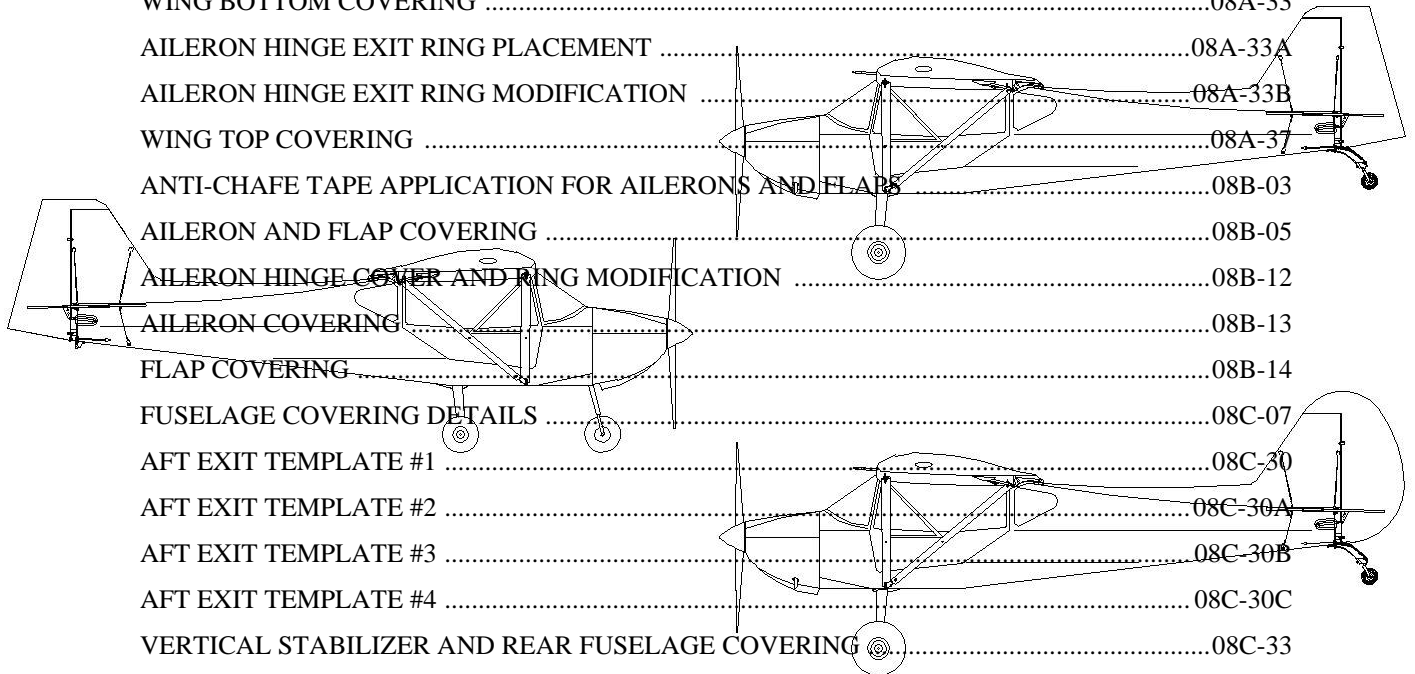
07 - WINDSHIELD & DOORS

WINDSHIELD MOUNTING TAB MODIFICATION	07-02
WINDSHIELD LOCATION	07-03
WINDSHIELD HOLD DOWN STRIP MODIFICATION	07-05
WINDSHIELD HOLD DOWN STRIP DRILLING	07-06
WINDSHIELD ATTACH MODIFICATION	07-07
WINDSHIELD TRIMMING	07-08
RIB HEIGHT ADJUSTMENT - FUSELAGE	07-11
MATING STRIP MODIFICATION	07-20
SKYLIGHT TRIM STRIP MODIFICATION	07-25
WINDSHIELD - TOP DETAIL	07-32
FLAP FILLET MODIFICATION	07-33
WING CUFF INSTALLATION	07-39
DOOR FRAME CHECK	07A-01
UPPER TRIM STRIP MODIFICATION	07A-03
DOOR TRIM ASSEMBLY	07A-04
LOWER DOOR LEXAN TRIMMING	07A-13
UPPER DOOR LEXAN TRIMMING	07A-14
DOOR RIVETING	07A-17
CHANNEL EXTRUSION MODIFICATION	07A-18
ALUMINUM BUSHING - DOOR	07A-25
DOOR HANDLE DETAIL	07A-33



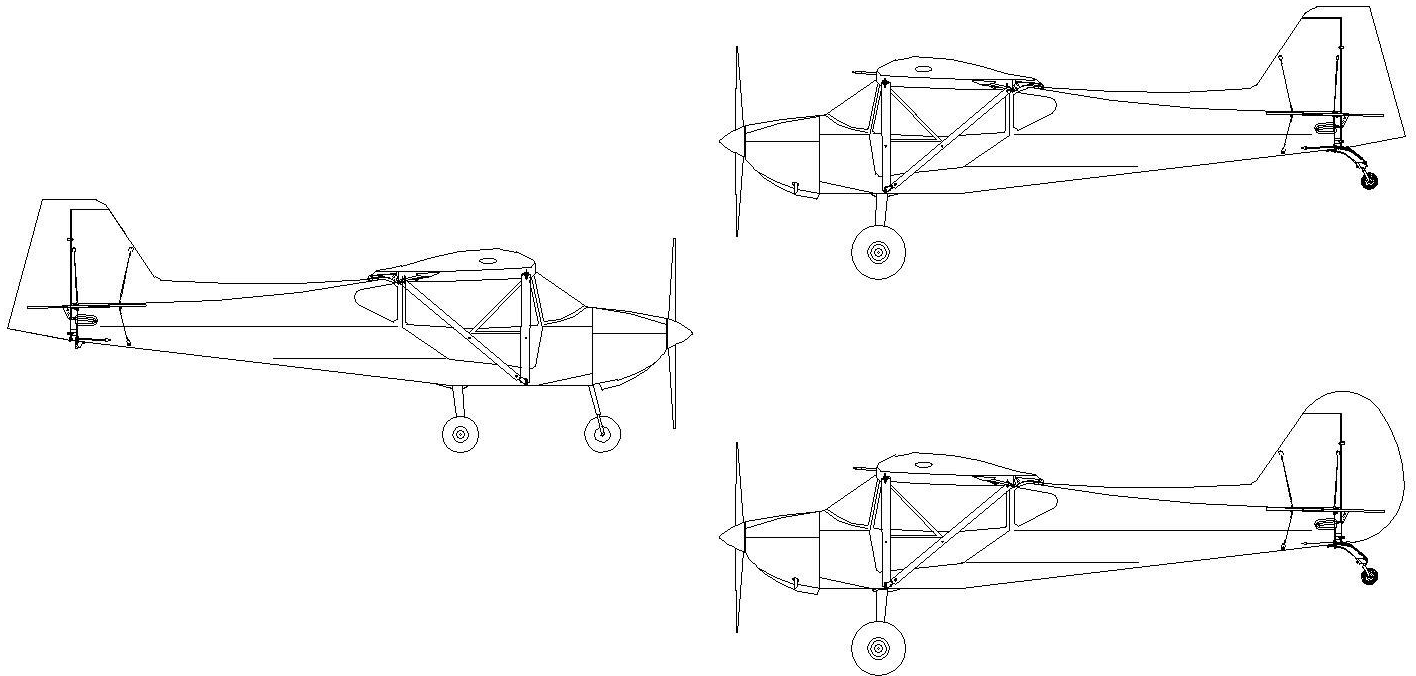
08 - COVERING

WING COVERING - ANTI-CHAFE TAPE	08A-04
WING COVERING - FABRIC OVERLAP ON TIP AND ROOT	08A-17
WING COVERING - FABRIC OVERLAP ON LEADING & TRAILING EDGE SPAR	08A-17A
WING COVERING RIVETING	08A-26
FABRIC RIVETING	08A-26A
FABRIC RIVETING	08A-26B
FABRIC RIVETING	08A-26C
WING BOTTOM COVERING	08A-33
AILERON HINGE EXIT RING PLACEMENT	08A-33A
AILERON HINGE EXIT RING MODIFICATION	08A-33B
WING TOP COVERING	08A-37
ANTI-CHAFE TAPE APPLICATION FOR AILERONS AND FLAPS	08B-03
AILERON AND FLAP COVERING	08B-05
AILERON HINGE COVER AND RING MODIFICATION	08B-12
AILERON COVERING	08B-13
FLAP COVERING	08B-14
FUSELAGE COVERING DETAILS	08C-07
AFT EXIT TEMPLATE #1	08C-30
AFT EXIT TEMPLATE #2	08C-30A
AFT EXIT TEMPLATE #3	08C-30B
AFT EXIT TEMPLATE #4	08C-30C
VERTICAL STABILIZER AND REAR FUSELAGE COVERING	08C-33
FUSELAGE SIDE COVERING	08C-33A
FUSELAGE BOTTOM COVERING	08C-33B
FUSELAGE TOP COVERING	08C-34
FABRIC OVERLAP TYPICAL FOR TAIL SURFACES	08D-06
HORIZONTAL STABILIZER COVERING	08D-17
RUDDER - FABRIC REINFORCEMENT	08E-11
RUDDER COVERING - RANS RUDDER	08E-12
RUDDER AND ELEVATOR STITCHING	08E-12A
ELEVATOR COVERING	08F-14



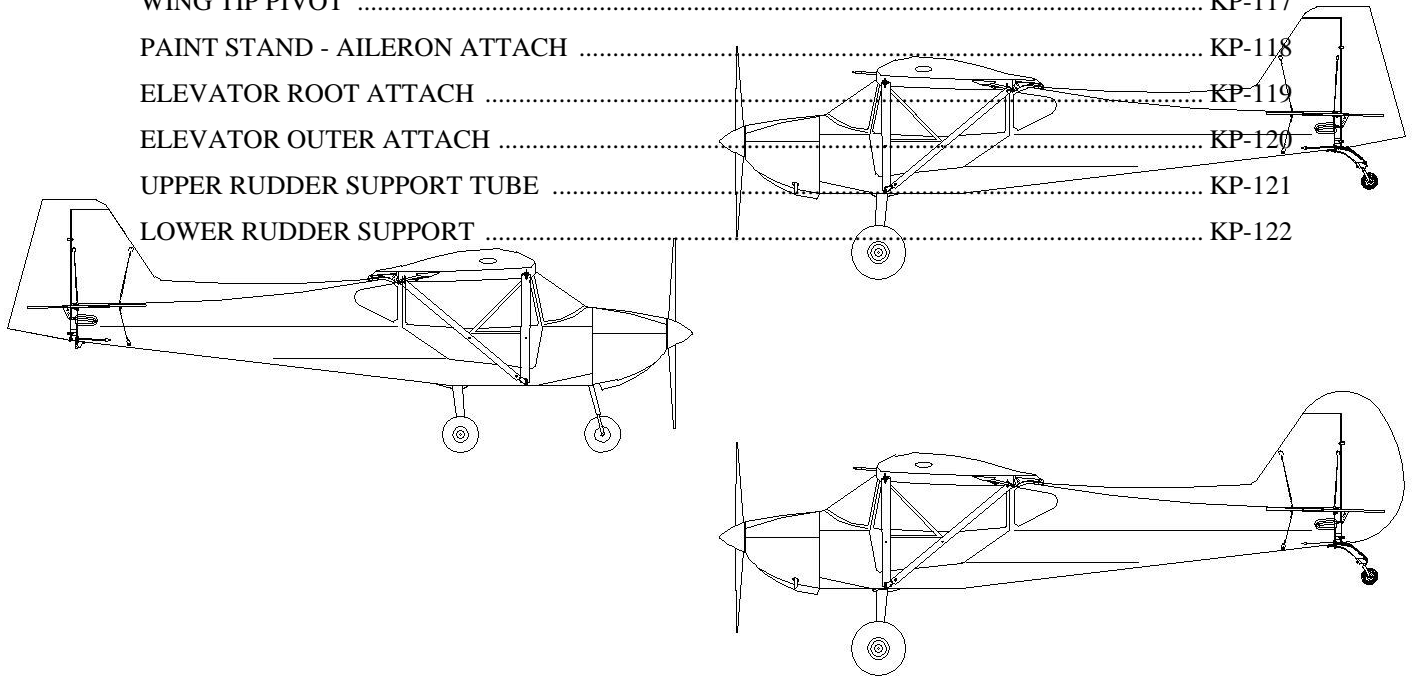
09 - SEAT BELTS & INTERIOR

NO FIGURE DRAWINGS



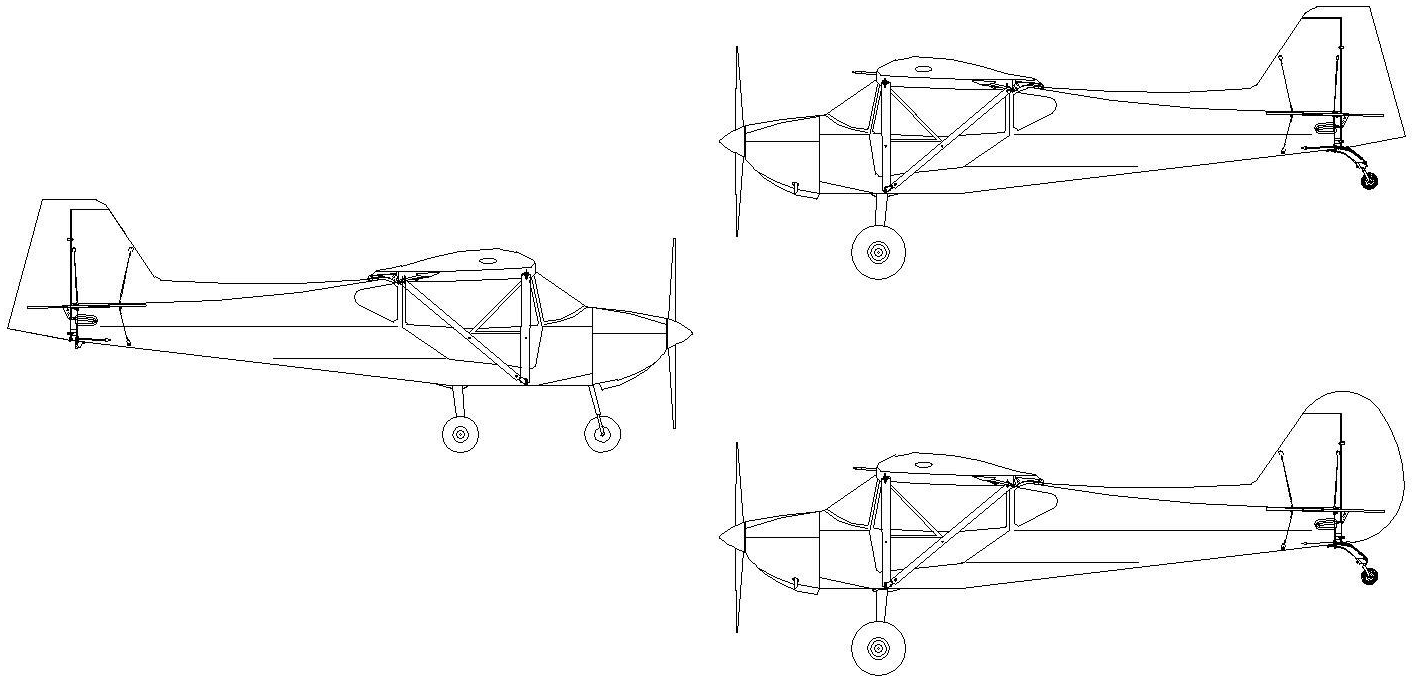
10 - OPTIONS

A-FRAME STAND	KP-100
FORWARD FUSELAGE ATTACH	KP-101
WING ROOT ATTACH	KP-103
"T" LOCK HANDLE	KP-107
PAINT STAND	KP-108
PAINT STAND	KP-109
PAINT STAND AFT ATTACH FUSELAGE	KP-112
WING TIP PIVOT	KP-117
PAINT STAND - AILERON ATTACH	KP-118
ELEVATOR ROOT ATTACH	KP-119
ELEVATOR OUTER ATTACH	KP-120
UPPER RUDDER SUPPORT TUBE	KP-121
LOWER RUDDER SUPPORT	KP-122



11 - RIGGING

ELEVATOR MASS BALANCE 11-03
ELEVATOR MASS BALANCE WEIGHT AND ATTACH 11-04
WING WASH OUT RIGGING LEVEL 11A-01
AILERON RIGGING 11A-09
AILERON RIGGING BOARD 11A-11
CONTROL SURFACE RIGGING CLEARANCES - TAIL 11B-09
PARK BRAKE RIGGING 11C-04



12 - WEIGHT & BALANCE

STANDARD RANS TAILWHEEL 12-01
TRIKE 12-01A
OPTIONAL 10" TAILWHEEL 12-01B
WEIGHT & BALANCE RECORD 12-02

