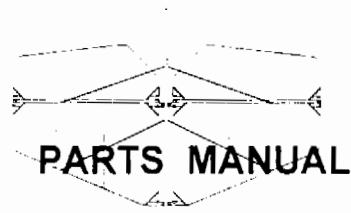
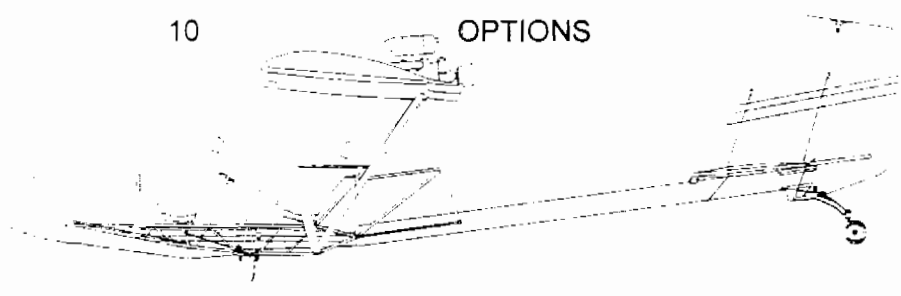




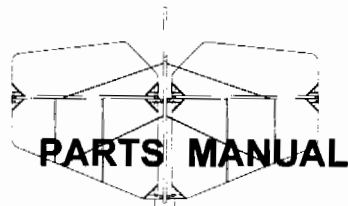
RANS S-18 STINGER II



00	GENERAL
01	FUSELAGE / GEAR / TAILWHEEL
02	FLIGHT CONTROL SYSTEMS
03	POWER PLANT
04	TAIL
05	WINGS
06	FUEL SYSTEM
07	AILERONS and FLAPS
08	STRUTS / TRIAL ASSEMBLY & RIGGING
09	COVERING
10	OPTIONS

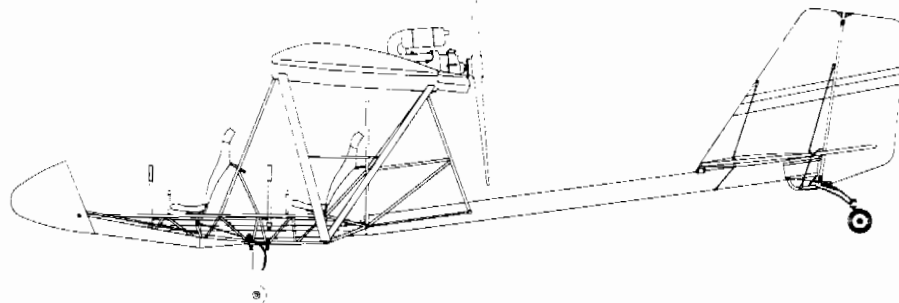


RANS S-18 STINGER II

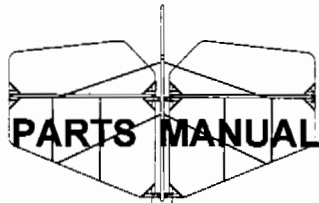


SECTION 3 - 503 POWER PLANT

03-1 - 03-2	503 ENGINE MOUNT
03-3 - 03-4	503 ENGINE / PROP / MUFFLER
03-5 - 03-6	503 MUFFLER MOUNT
03-7 - 03-8	503 ELECTRICAL & INSTRUMENTS - WITHOUT ELECTRIC START

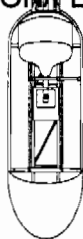
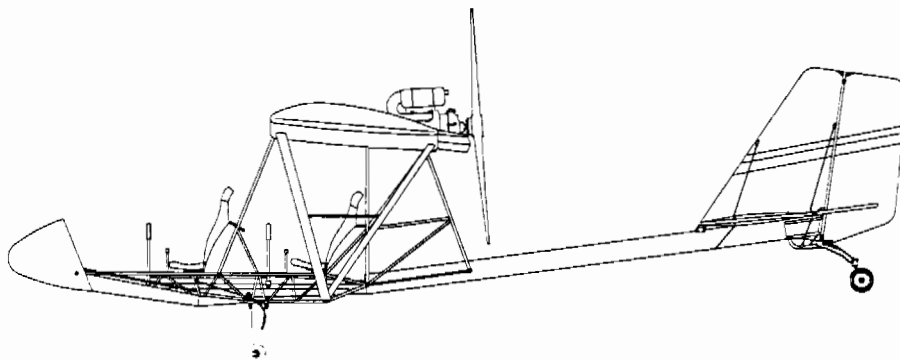


RANS S-18 STINGER II



SECTION 9 - COVERING

09-1 - 09-2	TAIL GROUP DACRON COVERS and HARDWARE
09-3 - 09-4	WING DACRON COVERS and HARDWARE
09-5 - 09-6	AILERON/FLAP DACRON COVERS and HARDWARE

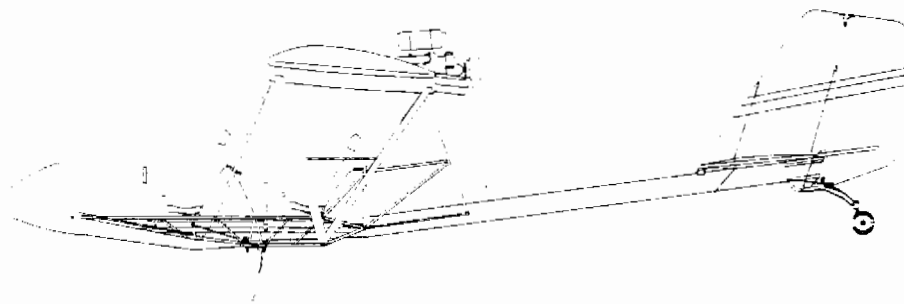
A detailed line drawing of the tail group of the RANS S-18 Stinger II, showing the vertical stabilizer and horizontal stabilizer with various internal components and hardware.

RANS S-18 STINGER II



SECTION 10 - OPTIONS

10-1 - 10-2	OPTIONAL JURY STRUT FAIRING INSTALLATION
10A-1 - 10A-2	OPTIONAL FAIRING / WINDSHIELD ASSEMBLY
10B-1 - 10B-2	OPTIONAL PLANNIERS & INTERCOM BAG
10C-1 - 10C-2	OPTIONAL STROBES



RANS S-18 STINGER II



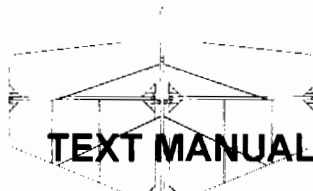


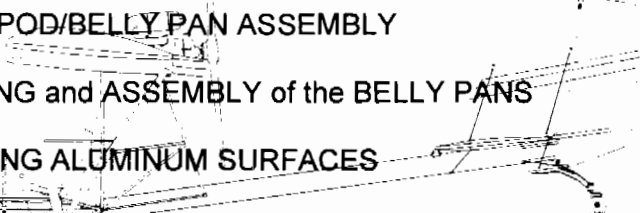

00	GENERAL
01	FUSELAGE / GEAR / TAILWHEEL
02	FLIGHT CONTROL SYSTEM
03	POWER PLANT
04	TAIL
05	WINGS
06	FUEL SYSTEM
07	AILERONS and FLAPS
08	STRUTS / TRIAL ASSEMBLY & RIGGING
09	COVERING
10	OPTIONS
11	FINAL ASSEMBLY
12	OPERATIONS / MAINTENANCE

RANS S-18 STINGER II



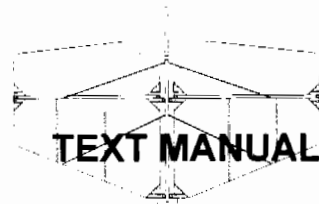
TEXT MANUAL

SECTION 1 - FUSELAGE

- 
- 
- 
- 
- 
- | | |
|--------------|---|
| 01-1 | BOOM to FUSELAGE ASSEMBLY |
| 01-1 - 01-2 | MAIN LANDING GEAR ASSEMBLY |
| 01-2 | WHEEL ASSEMBLY - MECHANICAL BRAKE |
| 01-3 | WHEEL ASSEMBLY - OPTIONAL HYDRAULIC BRAKE |
| 01-3 - 01-4 | INSTALLING TAILBOOM EXTENSION |
| 01-4 - 01-5 | TAILWHEEL INSTALLATION |
| 01-5 | 503/582 KEEL ASSEMBLY |
| 01-6 | 912 KEEL ASSEMBLY |
| 01-7 | CENTER COVER ASSEMBLY |
| 01-8 | MOUNTING KEEL ASSEMBLY |
| 01-8 - 01-9 | NOSE POD/BELLY PAN ASSEMBLY |
| 01-9 - 01-11 | SHAPING and ASSEMBLY of the BELLY PANS |
| 01-11 | PAINING ALUMINUM SURFACES |
| 01-11 | FITTING/INSTALLING THE FLOORBOARDS |
| 01-12 | 503 INSTRUMENT PANEL INSTALLATION |
| 01-12 | 582 / 912 INSTRUMENT PANEL INSTALLATION |
| 01-12 | OPTIONAL AVIONICS INSTRUMENT PANEL INSTALLATION |
| 01-13 | OPTIONAL AFT INSTRUMENT PANEL INSTALLATION |
| 01-13 | SEAT and RESTRAINT INSTALLATION |

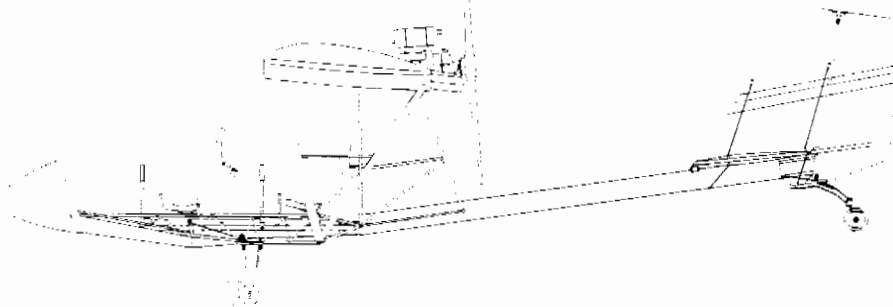
MD3941

RANS S-18 STINGER II

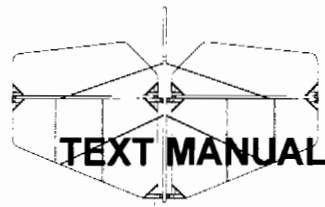


SECTION 2 - FLIGHT CONTROL SYSTEMS

02-1	RUDDER PEDAL and RUDDER CABLE ASSEMBLY
02-1 - 02-2	CONTROL STICK ASSEMBLY
02-3 - 02-4	FLAP LEVER ASSEMBLY
02-4	503 / 582 THROTTLE LEVER INSTALLATION
02-5	912 THROTTLE LEVER INSTALLATION
02-6	ELEVATOR TRIM LEVER and TRIM CABLE HOUSING INSTALLATION
02-6	AILERON CABLE INSTALLATION
02-7	MECHANICAL BRAKE LEVER ASSEMBLY
02-7 - 02-8	OPTIONAL HYDRAULIC BRAKE PEDAL ASSEMBLY

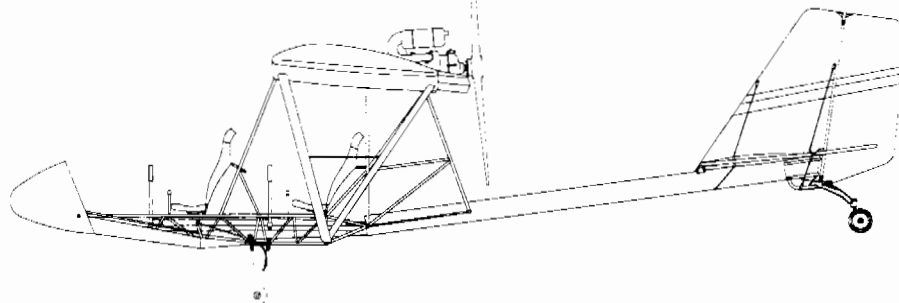


RANS S-18 STINGER II



SECTION 3 503 POWER PLANT

- 03-1 503 ENGINE INSTALLATION
- 03-1 503 PROPELLER INSTALLATION
- 03-2 503 CARBURETOR and THROTTLE CABLE INSTALLATION
- 03-2 503 SINGLE CARB ENGINE INSTALLATION
- 03-3 503 EXHAUST ASSEMBLY
- 03-3 503 MANUAL STARTER
- 03-3 503 IGNITION SWITCHES
- 03-4 503 ELECTRICAL WIRING



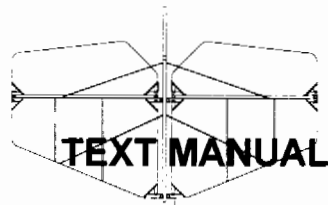
RANS S-18 STINGER II

TEXT MANUAL

SECTION 3A - 582 POWER PLANT

03A-1	582 ENGINE INSTALLATION
03A-1	582 PROPELLER INSTALLATION
03A-1 - 03A-2	582 CARBURETOR and THROTTLE CABLE INSTALLATION
03A-2	582 EXHAUST ASSEMBLY
03A-2	582 MANUAL STARTER
03A-2	582 IGNITION SWITCHES
03A-2	582 ELECTRICAL WIRING
03A-3 - 03A-4	582 OPTIONAL OIL INJECTION TANK AND MOUNT
03A-5	582 COOLING SYSTEM
03A-5	582 PREPARING THE CENTER COVER FOR THE RADIATOR COWL
03A-6	582 MOUNTING RAD COWL - RADIATOR ASSEMBLY
03A-6	582 COOLING SYSTEM - FINAL ASSEMBLY
03A-7 - 03A-8	582 TEST RUNNING THE COOLING SYSTEM

RANS S-18 STINGER II



SECTION 3B - 912 POWER PLANT

03B-1 912 ENGINE INSTALLATION

03B-1 912 PROPELLER INSTALLATION

03B-1 - 03B-2 912 CARBURETOR and THROTTLE CABLE INSTALLATION

03B-3 912 EXHAUST ASSEMBLY

03B-3 912 IGNITION SWITCHES

03B-3 912 ELECTRICAL WIRING

03B-4 912 BATTERY BOX INSTALLATION

03B-4 912 COOLING SYSTEM

03B-5 912 PREPARING THE CENTER COVER FOR THE RADIATOR COWL

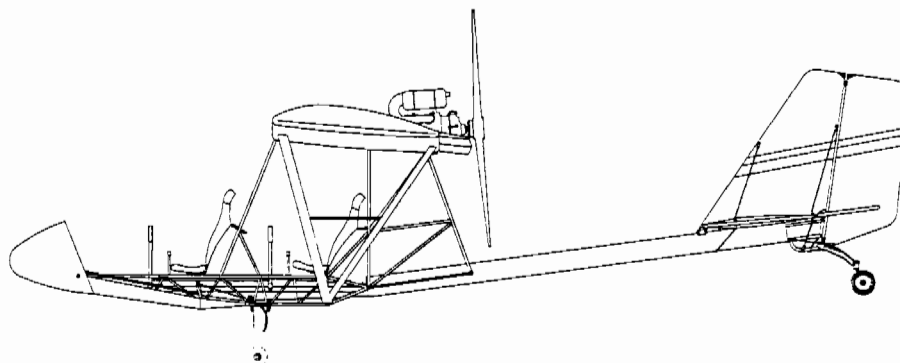
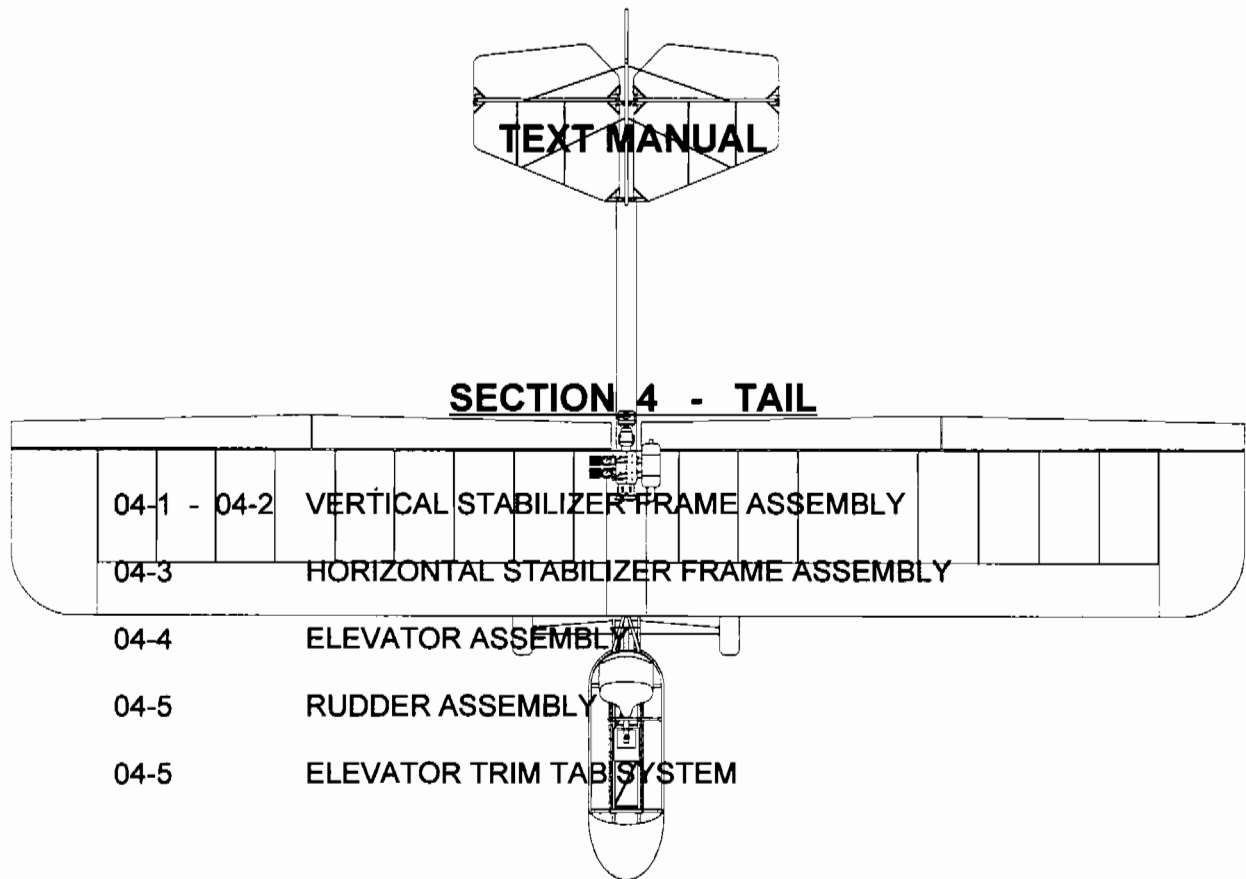
03B-5 912 MOUNTING RAD COWL - RADIATOR ASSEMBLY

03B-5 - 03B-6 912 COOLING SYSTEM - FINAL ASSEMBLY

03B-6 912 OIL TANK & OPTIONAL COOLER MOUNT

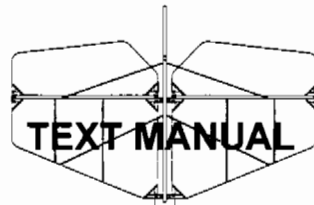
03B-7 - 03B-9 912 ENGINE TEST RUNNING

RANS S-18 STINGER II

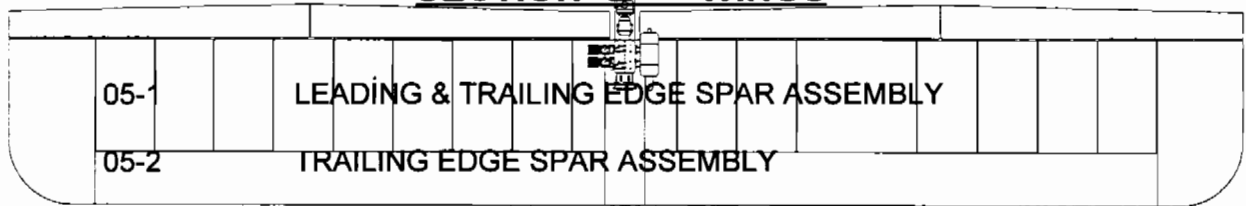


MD3941

RANS S-18 STINGER II



SECTION 5 - WINGS



05-1 LEADING & TRAILING EDGE SPAR ASSEMBLY

05-2 TRAILING EDGE SPAR ASSEMBLY

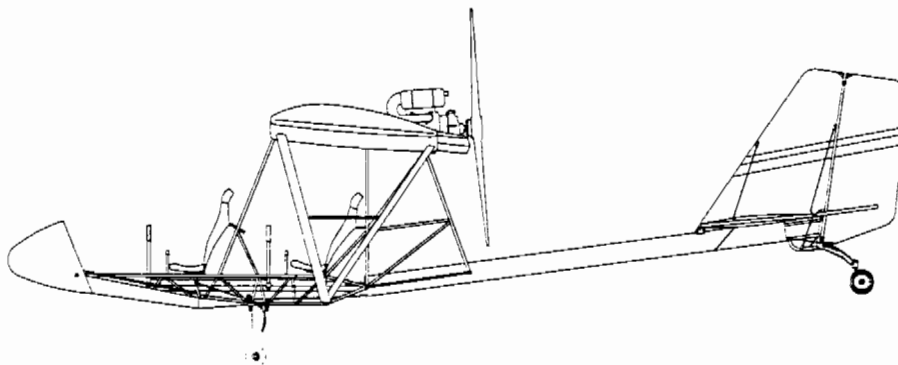
05-2 UNIVERSAL HINGE ASSEMBLY

05-3 - 05-4 INTERNAL STRUCTURE

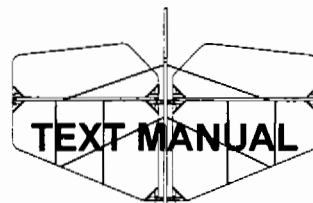
05-4 OUTBOARD RIB ASSEMBLY

05-5 ROOT RIB TENSIONING SYSTEM

05-5 FLAP FILLET INSTALLATION

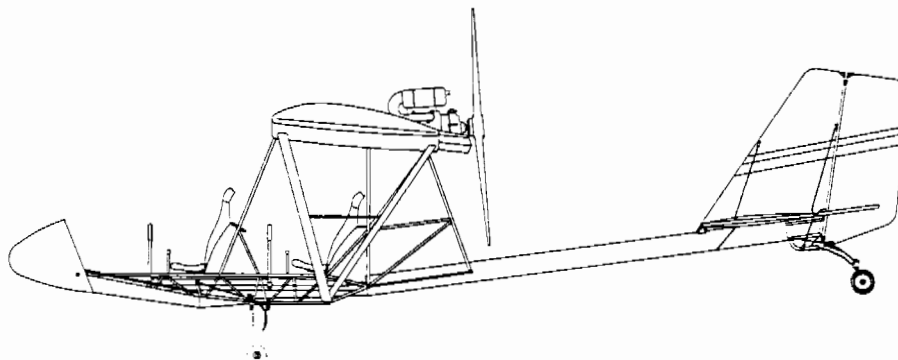


RANS S-18 STINGER II

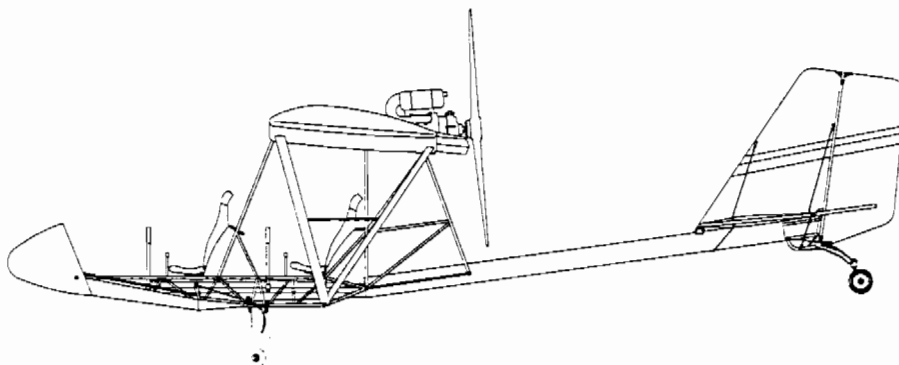
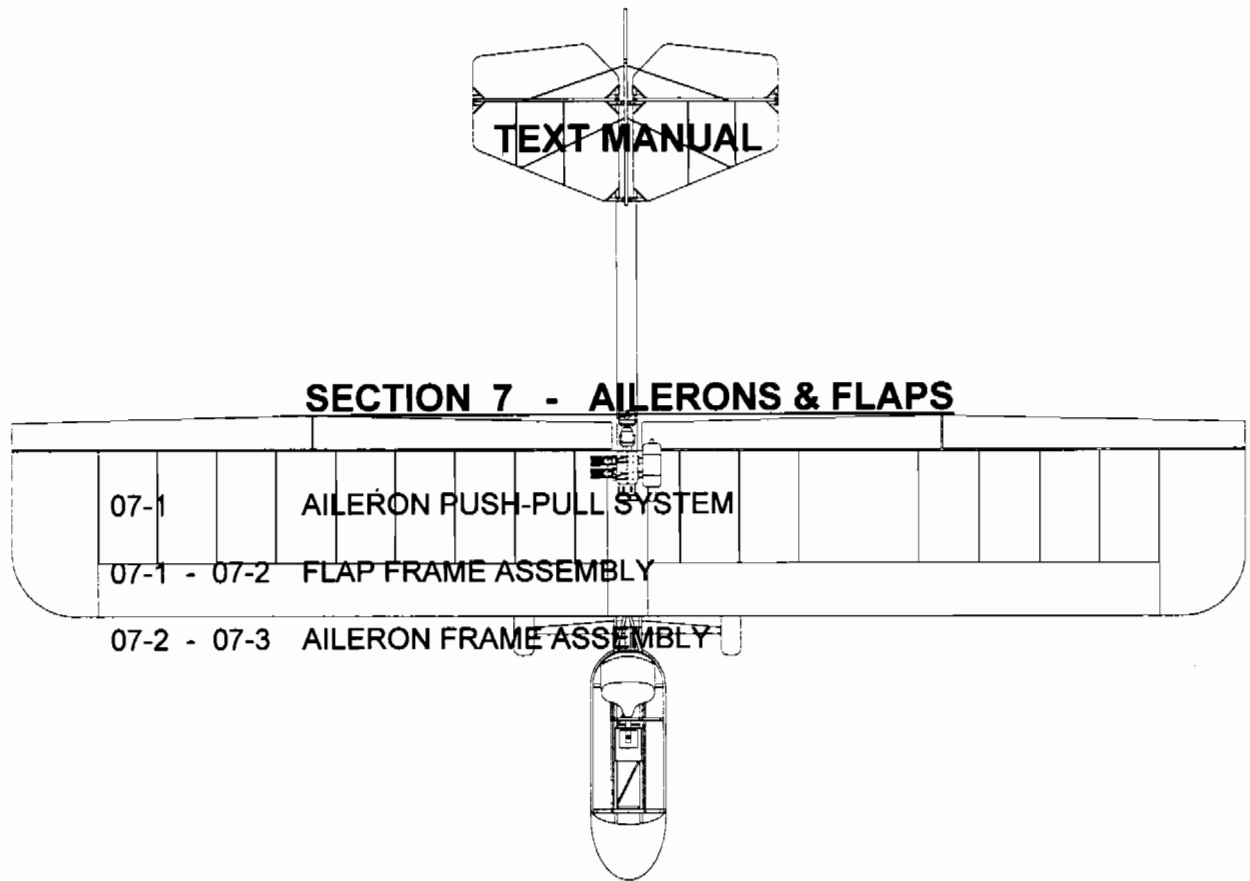


SECTION 6 - FUEL SYSTEM

06-1	FUEL SYSTEM INSTALLATION - SINGLE and DUAL
06-2	FUEL TANK ASSEMBLY
06-3	FUEL CAP/VENT ASSEMBLY
06-4	FUEL TANK MOUNT - SINGLE WING TANK and DUAL WING TANK

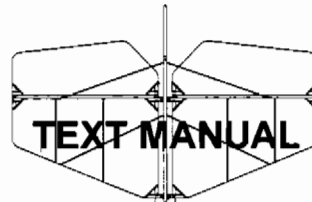


RANS S-18 STINGER II



M03941

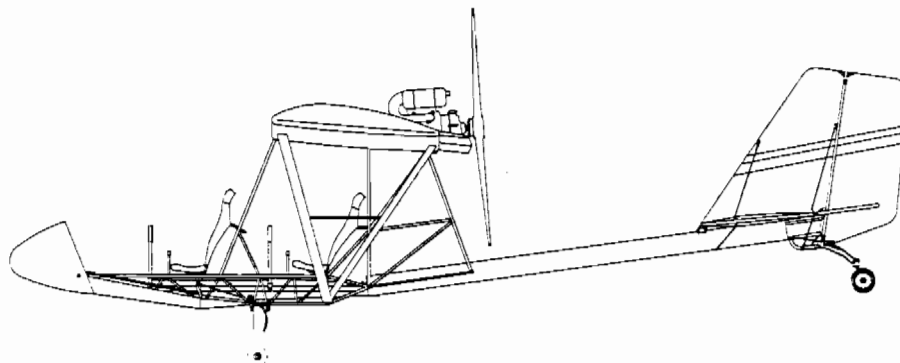
RANS S-18 STINGER II



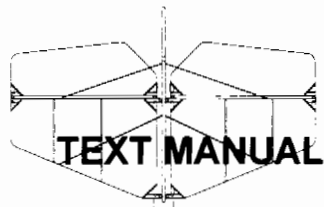
SECTION 8 - STRUTS / TRIAL ASSEMBLY & RIGGING

08-1	INSPECTION of the AIRFOIL LIFT STRUTS
08-1	LIFT STRUT ASSEMBLY

- 08-2 WING/STRUT INSTALLATION
- 08-2 TRIAL INSTALLATION of the WINGS
- 08-3 TRIAL RIGGING: WING TWIST and SETTING AILERONS and FLAPS
- 08-4 AILERON and FLAP SETTINGS
- 08-5 JURY STRUT ASSEMBLY

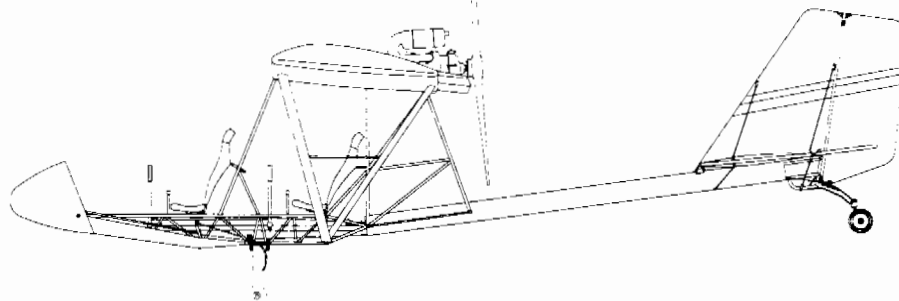


RANS S-18 STINGER II

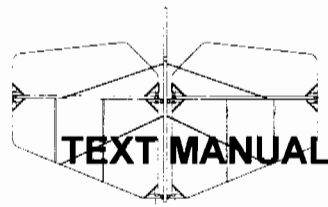


SECTION 09 - COVERING

09-1	TAILGROUP DACRON COVERS and HARDWARE COVERING the VERTICAL STABILIZER
09-2	TAILGROUP DACRON COVERS and HARDWARE COVERING the HORIZONTAL STABILIZER
09-3	TAILGROUP DACRON COVERS and HARDWARE COVERING the ELEVATOR
09-4	TAILGROUP DACRON COVERS and HARDWARE COVERING the RUDDER
09-5 - 09-6	AILERON & FLAP COVERING
09-6 - 09-7	WING DACRON COVERS and HARDWARE



RANS S-18 STINGER II

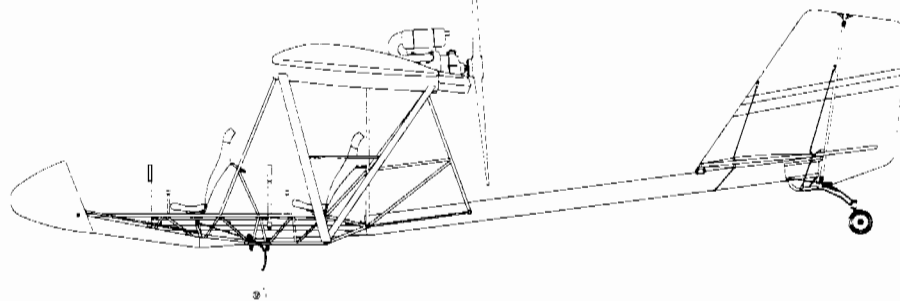
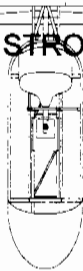


SECTION 10 - OPTIONS

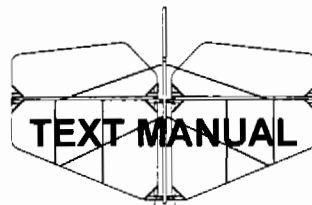
10-1	OPTIONAL JURY STRUT FAIRING INSTALLATION
10A-1 - 10A-3	OPTIONAL CANOPY ASSEMBLY

10C-1

OPTIONAL STROBES



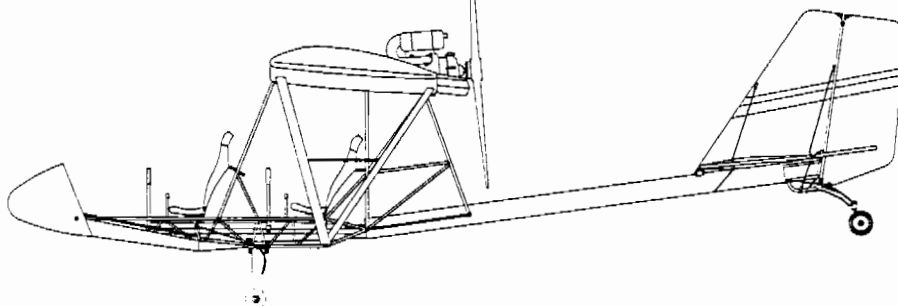
RANS S-18 STINGER II



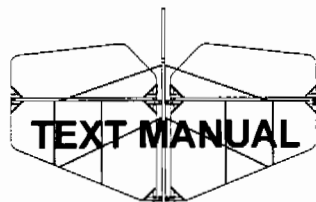
SECTION 11 - FINAL ASSEMBLY

11-1	FINAL ASSEMBLY WING INSTALLATION
11-1	INSTALLING and RIGGING the VERT and HORIZ STABILIZER

11-1 - 11-2	INSTALLING and RIGGING the ELEVATORS and TRIM TAB INSTALL
11-2 - 11-6	CHECKING RIGGING and SYMMETRY
11-6	PLACARDS & MARKINGS
11-7	WEIGHT & BALANCE
11-8 - 11-10	FINAL INSPECTION - CHECKLIST
11-11 - 11-15	EAA GENERAL SAFETY CHECKLIST



RANS S-18 STINGER II



SECTION 12 - OPERATIONS / MAINTENANCE

12-1	ENGINE TESTING and BREAK-IN
12-1 - 12-2	CHECKING MAXIMUM STATIC RPM
12-2 - 12-3	PRE-FLIGHT INSPECTION and MAINTENANCE TIPS
12-3 - 12-4	OPERATIONS
12-4 - 12-4	NOTES on FLYING a HIGH THRUST LINE PUSHER
12-4	TAKING OFF
12-4	CRUISE FLIGHT
12-5	STALLS
12-5	SPINS
12-5	NORMAL N& STEEP BANKS
12-5	LANDINGS
12-5 - 12-6	CROSSWINDS
12-6	APPROVED MANUEVERS
12-6	ASI MARKINGS
12-6 - 12-7	SPECIAL OPERATIONAL CONSIDERATIONS
12-8 - 12-9	FLIGHT TESTING
12-10	POST-FLIGHT ADJUSTMENTS
12-11	CREATING A PILOT OPERATING HANDBOOK
12-12 - 12-13	MAINTENANCE
12-14	ENCLOSED TRAILERS
12-14	OPEN TRAILERS
12-14	CORROSION and WASHING YOUR PLANE

