

ASSEMBLY ALERT: #138

DATE: May 24, 1999

SUBJECT: WING - LEADING EDGE RIVETS

COMPLIANCE: MANDATORY

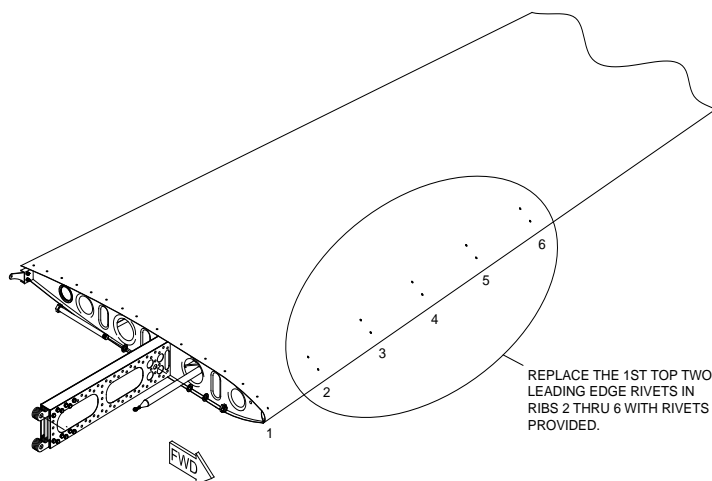
MODELS AFFECTED: S-16

NOTE: Assembly alert applies to forward ribs #2 thru #6.

Three (3) leading edge rivets on each wing on our S-16 prototype have loosened. This is due to two (2) factors.

1. Our prototype uses .020 leading edge skins.
2. Rivets were not set properly and a gap resulted between skin and rib.

To prevent this from happening on your aircraft we recommend replacing the rivets (see Figure AA-#138) with CherryMax rivets (CR3213-41). These rivets will be shipped when in stock.



AA-138.DWG

FIGURE AA-#138