

AIRWORTHNESS DIRECTIVE: 103

DATE: 09-21-92

SUBJECT: S-7 582 ENGINE MOUNT

COMPLIANCE: MANDATORY

COST: SEE TEXT

MODELS EFFECTED: S-7 COURIER

S-7 COURIER's with 582 engines must have their engine mounts inspected for cracks at the inside four corners of the engine mount bed. The engine mount may have a diagonal chromolly tube across the engine bed. if this tube is not there you must repair this with one of the three options below.

\$50.00 Plus shipping - repaired at RANS.

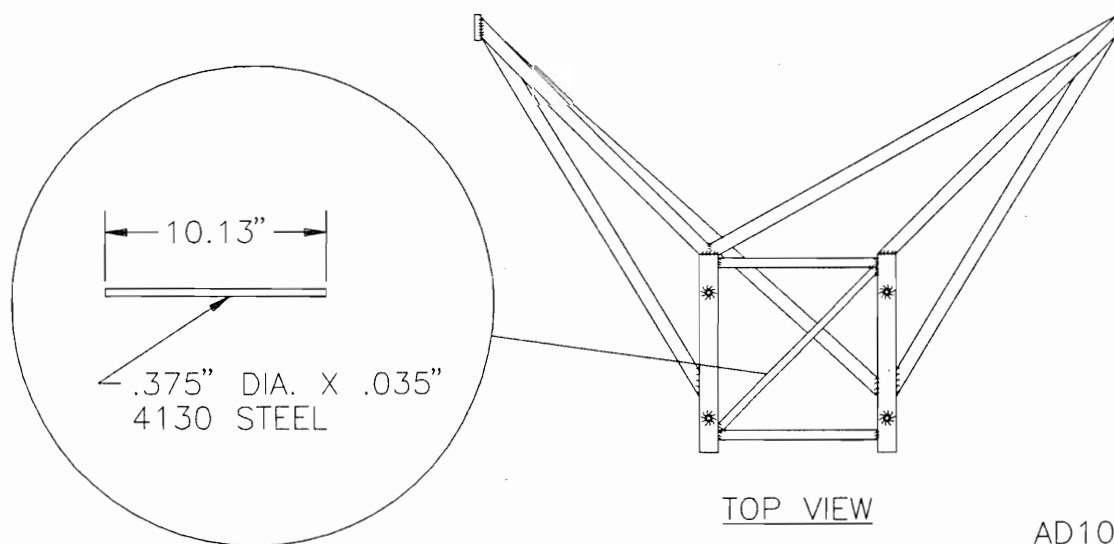
Shipped to the factory we will repair and repaint the engine mount to comply with A.D. #103

\$5.00 For builder kit.

A kit will be supplied to the builder to comply with the A.D. #103 this kit will consist of the tubing and instructions.

Do it yourself instructions.
(See below).

1. Trim the cromolly tubing to closely fit the inside corners diagonally.
2. Weld the tubing in place (TIG or OXY/ACETYLENE WELDING is reccomended).
3. Paint to suit.



AD103