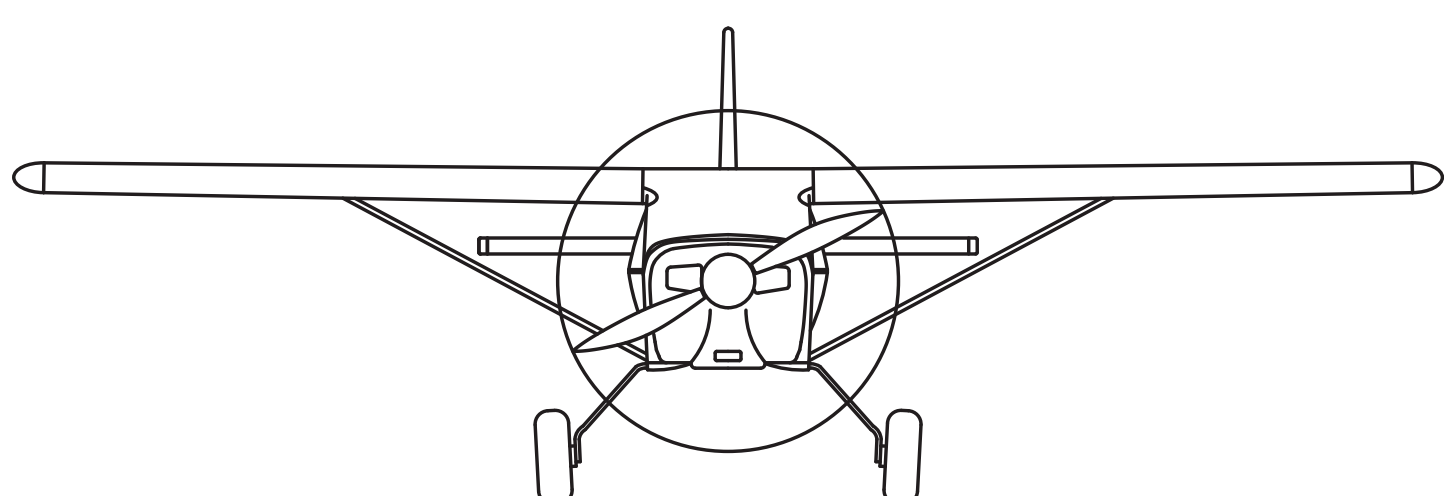
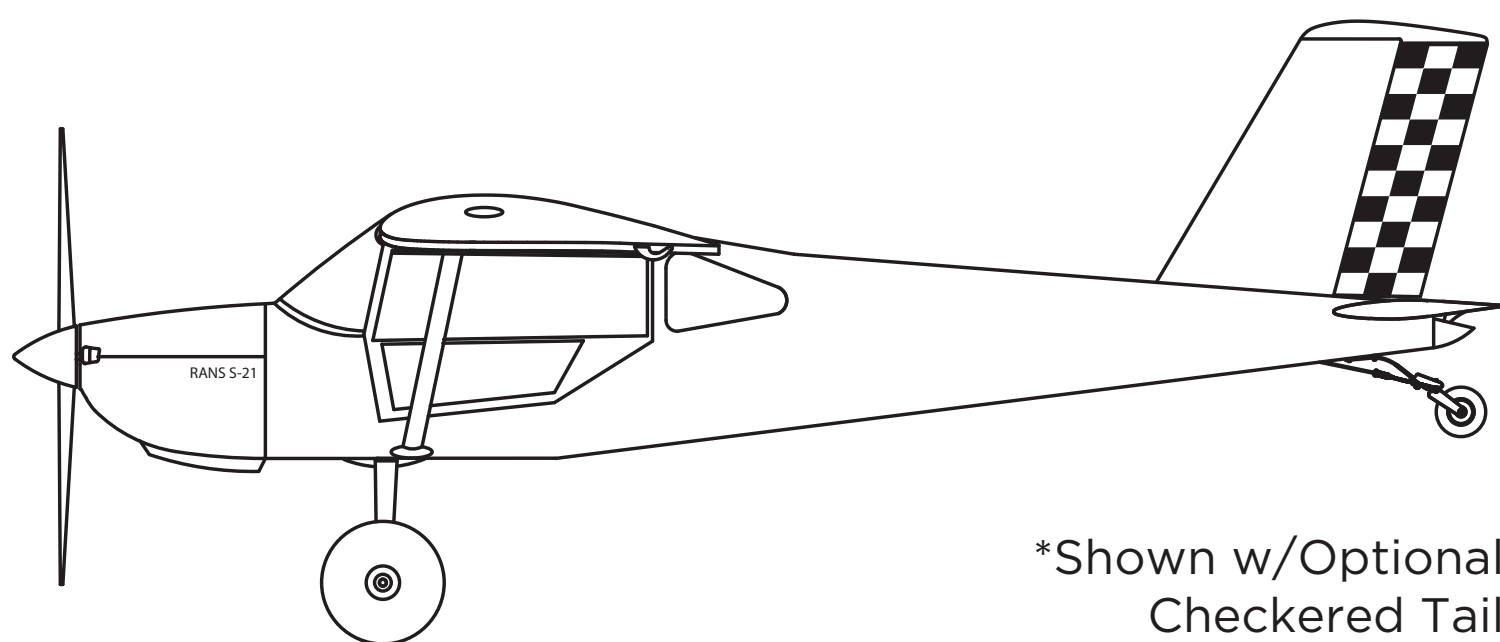
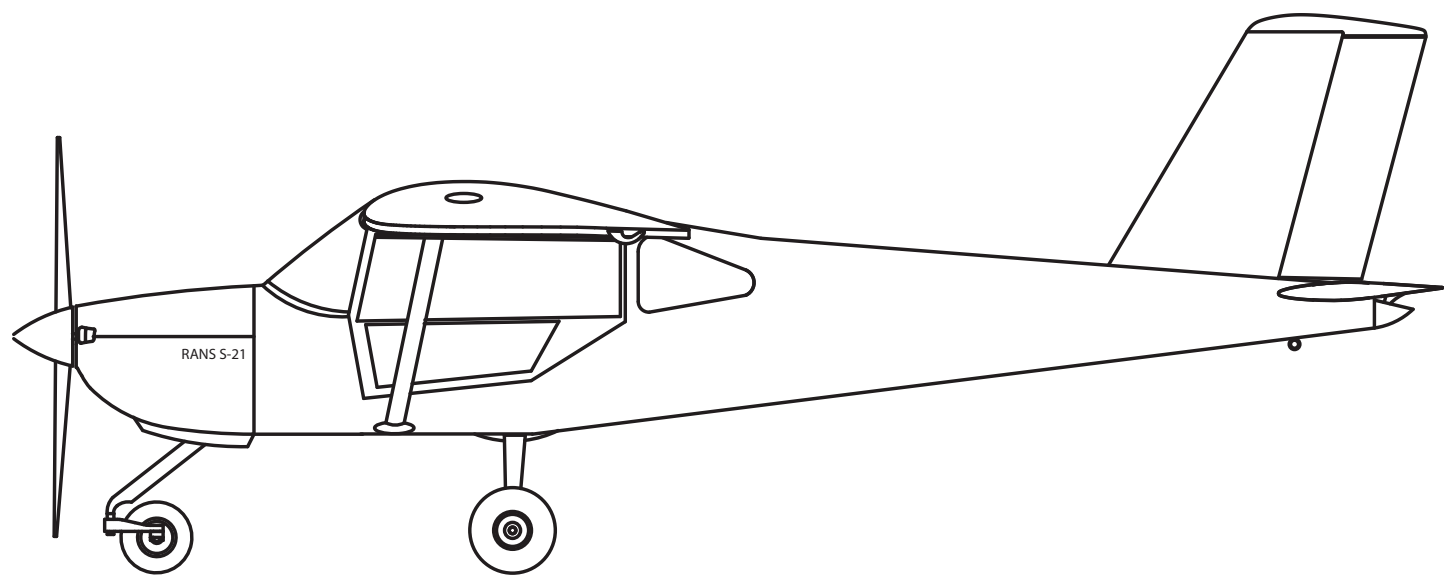
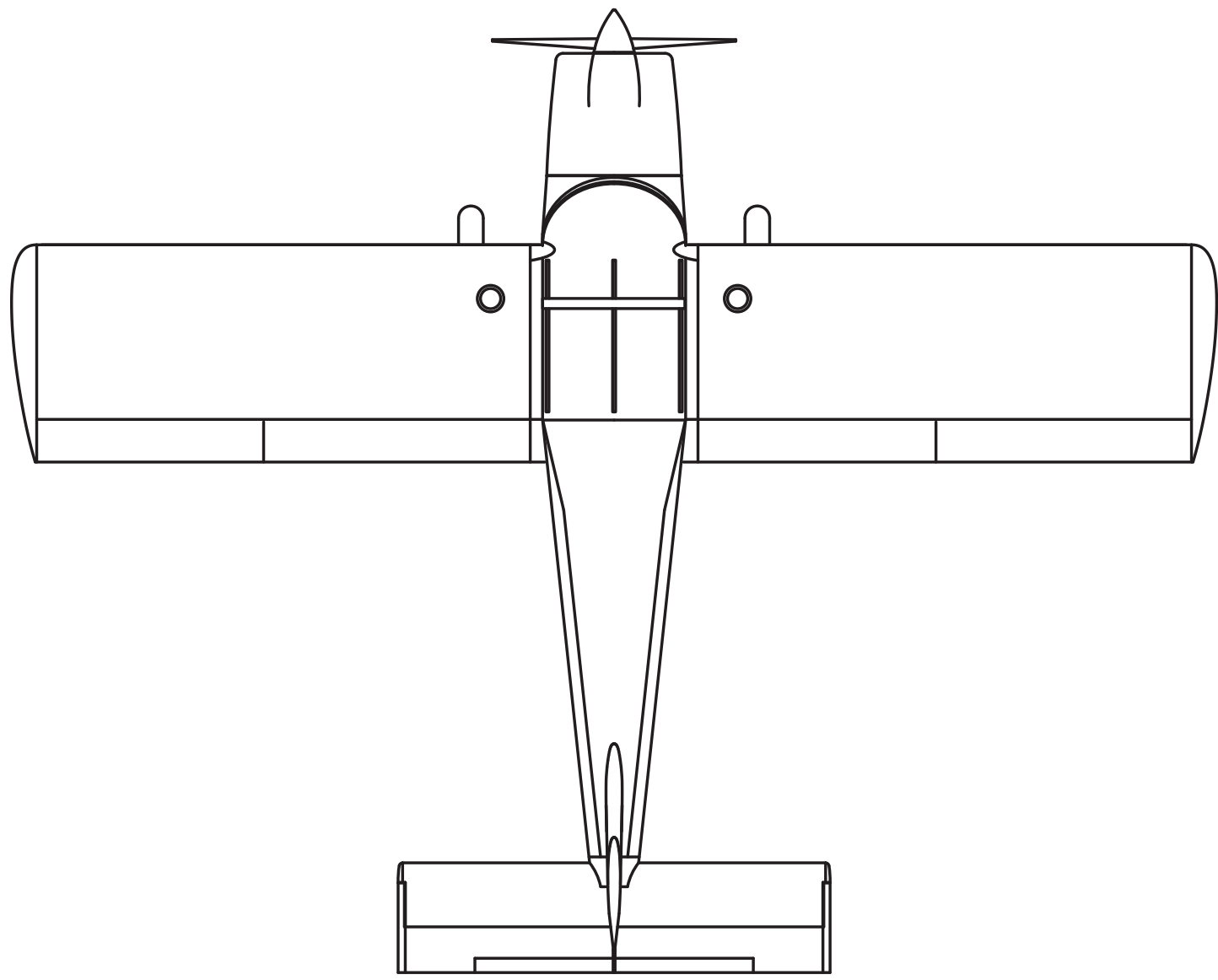


S-21 OUTBOUND

All metal, all purpose.



ROTAX 916iS SPECS AND PERFORMANCE

SPECIFICATIONS

160 HP

4 Stroke Piston, Liquid and Air Cooled Cylinders

Redundant Electronic Fuel Injection and Ignition

Turbo Charged

Engine Management System (EMS)

Propeller Speed Reduction Gear Box

Intercooler Equipped

2,000 Hour TBO

Baggage Capacity 120 lbs

Fuel 91 Octane/100LL

Fuel Capacity 44.9 gal

PROPELLER

Propeller Diameter 72 in/82 in

AirMaster Electric CS

WEIGHTS & LOADINGS

Gross Weight EAB 1800 lbs.

Gross Weight SLSA 1320 lbs.

Empty Weight 950 lbs.

Useful Load EAB 885 lbs.

Useful Load SLSA 405 lbs.

PERFORMANCE

Take Off Roll 300 ft

Service Ceiling 18,000 ft

Vc at 80% 150 mph TAS

Vne 215 mph

Stall Clean 50 mph

Stall Flaps 40 mph

Endurance** 5 hrs

** Plus .5 hr. reserve