

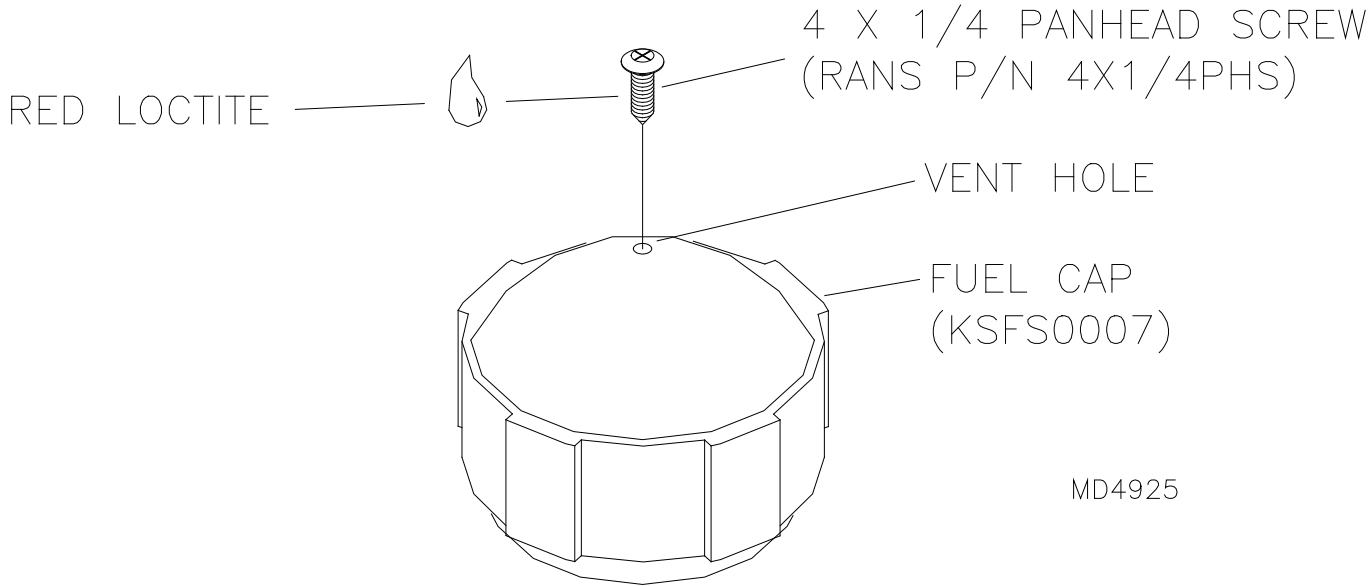
RANS

4600 Highway 183 Alternate
Hays, KS 67601
(785) 625-6346
Fax (785) 625-2795
www.rans.com

Operational Alert: 160
Date: January 3, 2006
Subject: Fuel Cap Vent Hole
Compliance: Mandatory
Models Affected: S-7S, S-9, S-10

Fuel Caps (KSFS0007) were received from the supplier with a Vent Hole drilled into the top center. The Vent Hole may allow fuel to be drawn out the top of the cap. Plugging of the Vent Hole is required as shown in **FIGURE OA-160**. Parts are available from RANS or from a local hardware store.

FIGURE OA-160



MD4925

Thank you for your attention to this matter.
Hopefully we have not inconvenienced you to any great degree.

Fly safe.