

RANS

4600 Highway 183 Alternate
Hays, KS 67601
(785) 625-6346
Fax (785) 625-2795
www.rans.com

Assembly Alert: 191

Date: October 8, 2019

Subject: Trimming of Inner Wing Rib to clear Lower Wing Stringer

Compliance: Mandatory

Models Affected: S-20 RAVEN with 141 Wing with Wing Stringers KPFU0743
S-21 OUTBOUND with Wing Stringers KPFU0743

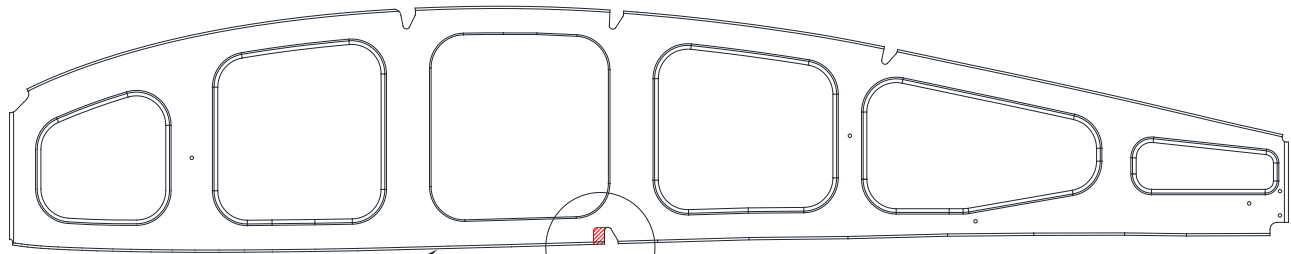
During building of a 141 wing, prior to installing the skin, it was noted that the rivet holes for attaching the Lower Wing Stringer (KPFU0743) to the skins were not aligned properly, fore and aft, with the cut-out in the Inner Wing Ribs (KPWI0638-L/R). The difference may be as much as 1/2".

If it is found the Lower Wing Stringer does not align with the cut-out in the wing rib, then modify the rib per the drawing below to allow the stringer to clear.

Thank you for your attention to this matter. Hopefully, we have not inconvenienced you to any great degree.

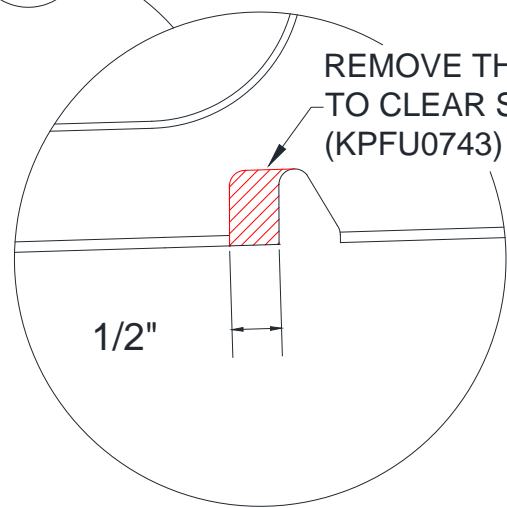
Fly safe.





INNER WING RIB
(KPWI0638)

MD5650
REV. - ORIG



REMOVE THIS AREA
TO CLEAR STRINGER
(KPFU0743)

1/2"

