



4600 Highway 183 Alternate
Hays, KS 67601
(785) 625-6346
Fax (785) 625-2795

Operational Alert: 161

Date: January 26, 2006

Subject: Reinforced Nose Gear Fork & Inspection

Compliance: Mandatory

Models Affected: S-16 Shekari

A non-injury incident has occurred where an original non-reinforced fork failed on landing.

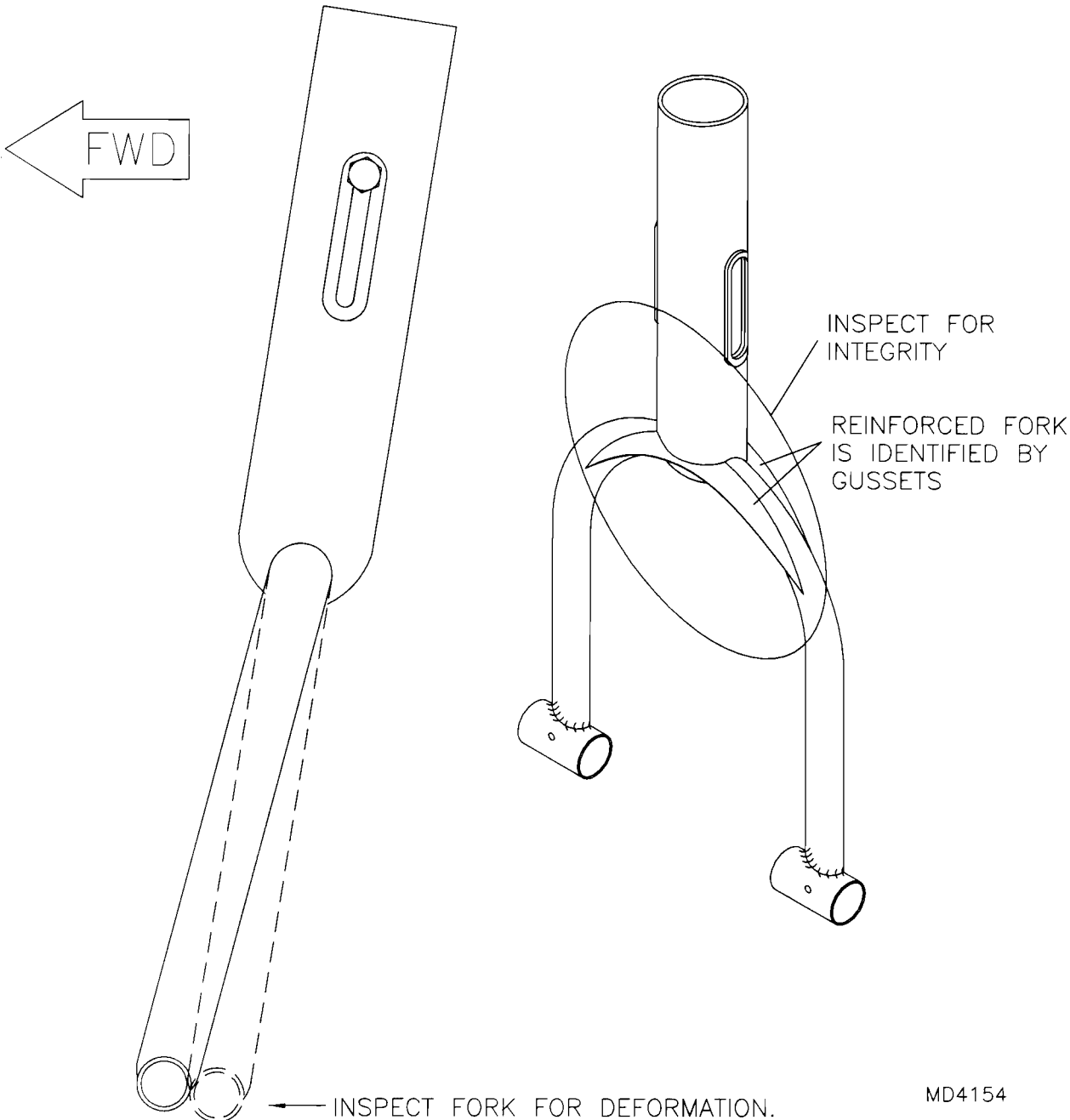
RANS recommends the use of the Reinforced Fork (KPNG0058) for all S-16 Shekari aircraft. Rans offers the Reinforced Fork for \$84 plus shipping.

Inspection of all S-16 forks for cracks, which can appear as flaking of the powder coat, are to occur at annual inspections, oil changes, or after any shimmy has occurred. Chronic shimmy will compromise the integrity of the fork. Do **NOT** allow shimmy to persist.

Additionally, proper inspection of the fork is extremely critical. See FIGURE OA-161. Inspection should include, but is **NOT** limited to the following.

1. Inspect the nose gear fork for integrity (cracking, splitting, corrosion, etc).
2. Inspect the nose gear fork for signs of deformation.
3. Replace if lack of integrity or deformation is detected.
4. If shimmy occurs, inspect Shimmy Dampener System for proper operation. The larger Hydraulic Shimmy Dampener (KSAC0024) is recommended. The larger Shimmy Dampener may be identified by a single fill hole. Chronic shimmy will compromise the integrity of the fork. Do **NOT** allow shimmy to persist.

FIGURE OA-161



MD4154

Thank you for your attention to this matter. Hopefully, we have not inconvenienced you to any great degree.

Fly safe.