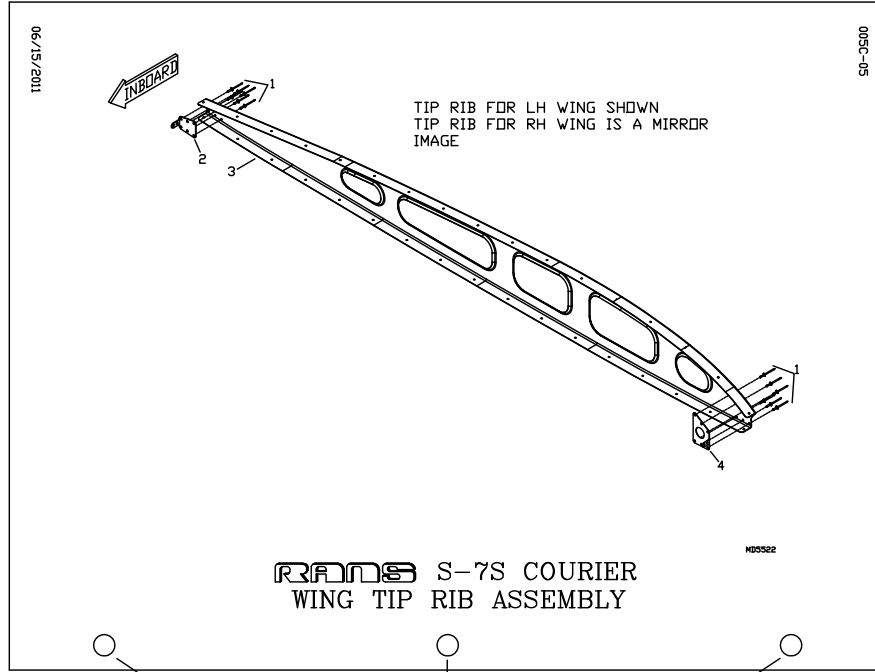


STEP 1:

PARTS MANUAL AS SHIPPED or PRINTED.
PLACE IN 3-RING BINDER TO SECURE.

PARTS DRAWING PAGE



3-HOLE PUNCH

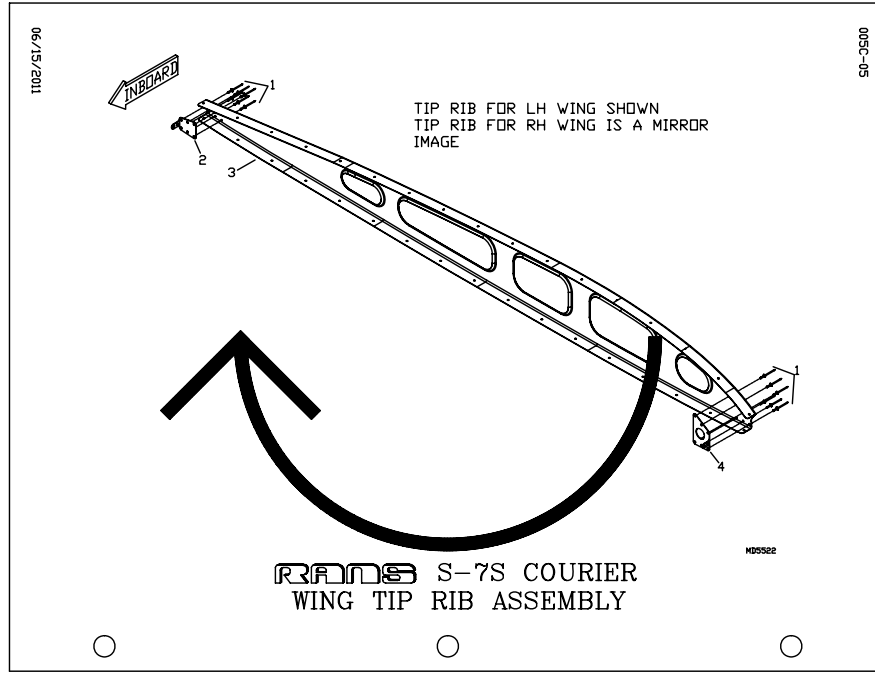
EXAMPLE ONLY.
MAY NOT REPRESENT ACTUAL PAGES
FROM YOUR MANUAL.

SEE NEXT PAGE

STEP 2:

OPEN 3-RING BINDER.
REMOVE PARTS DRAWING PAGE AND
ROTATE 180° TO FACE
CORRESPONDING
PARTS DESCRIPTION PAGE.
REPEAT FOR REMAINING PAGES

PARTS DRAWING PAGE



PARTS DESCRIPTION PAGE

PAGE 005C-06

S-7S COURIER - WING - TIP RIB ASSEMBLY

#	DESCRIPTION	PART NUMBER	QUANTITY
1.	1/8" ALUMINUM RIVET	AAQC-41	24
2.	RIB CLIP TRAILING EDGE - LH	KPW0372-L	4
2.	RIB CLIP TRAILING EDGE - RH	KPW0372-R	4
3.	WING TIP RIB - LH	KPW0544-L	1
3.	WING TIP RIB - RH	KPW0544-R	1
4.	RIB CLIP LEADING EDGE - LH	KPW0373-L	1
4.	RIB CLIP LEADING EDGE - RH	KPW0373-R	1

6/15/2011

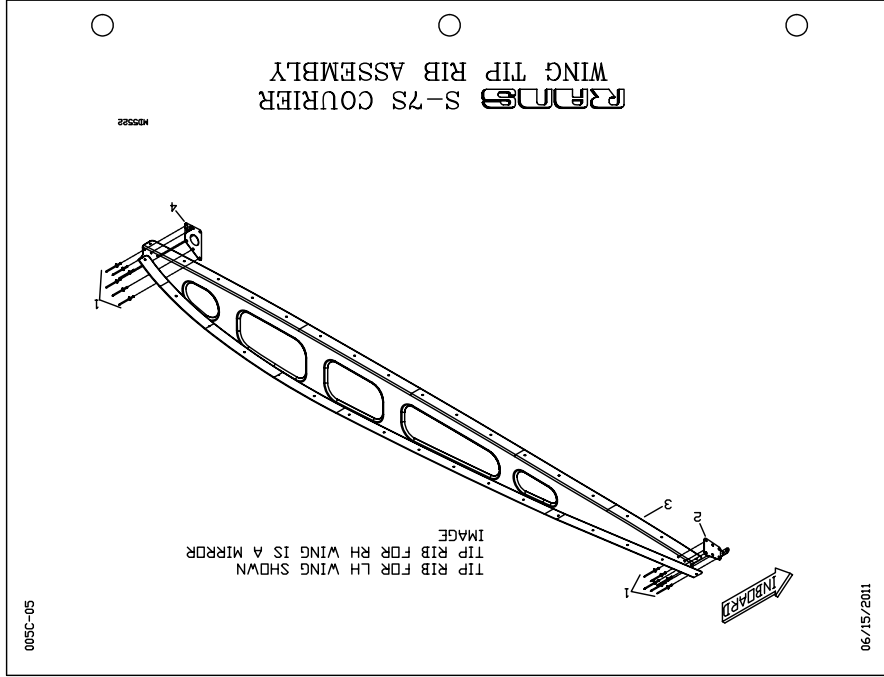
EXAMPLE ONLY.
MAY NOT REPRESENT ACTUAL PAGES
FROM YOUR MANUAL.

SEE NEXT PAGE

STEP 3:

PARTS DRAWING PAGE
 FACES CORRESPONDING
 PARTS DESCRIPTION PAGE
 WHEN FINAL SECURED IN
 BINDER

PARTS DRAWING PAGE



PARTS DESCRIPTION PAGE

PAGE 005C-06

S-7S COURIER - WING - TIP RIB ASSEMBLY

#	DESCRIPTION	PART NUMBER	QUANTITY
1.	1/8" ALUMINUM RIVET	AAPQ-41	24
2.	RIB CLIP TRAILING EDGE - LH	KPW0372-L	4
2.	RIB CLIP TRAILING EDGE - RH	KPW0372-R	1
3.	WING TIP RIB - LH	KPW0544-L	1
3.	WING TIP RIB - RH	KPW0544-R	1
4.	RIB CLIP LEADING EDGE - LH	KPW0373-L	1
4.	RIB CLIP LEADING EDGE - RH	KPW0373-R	1

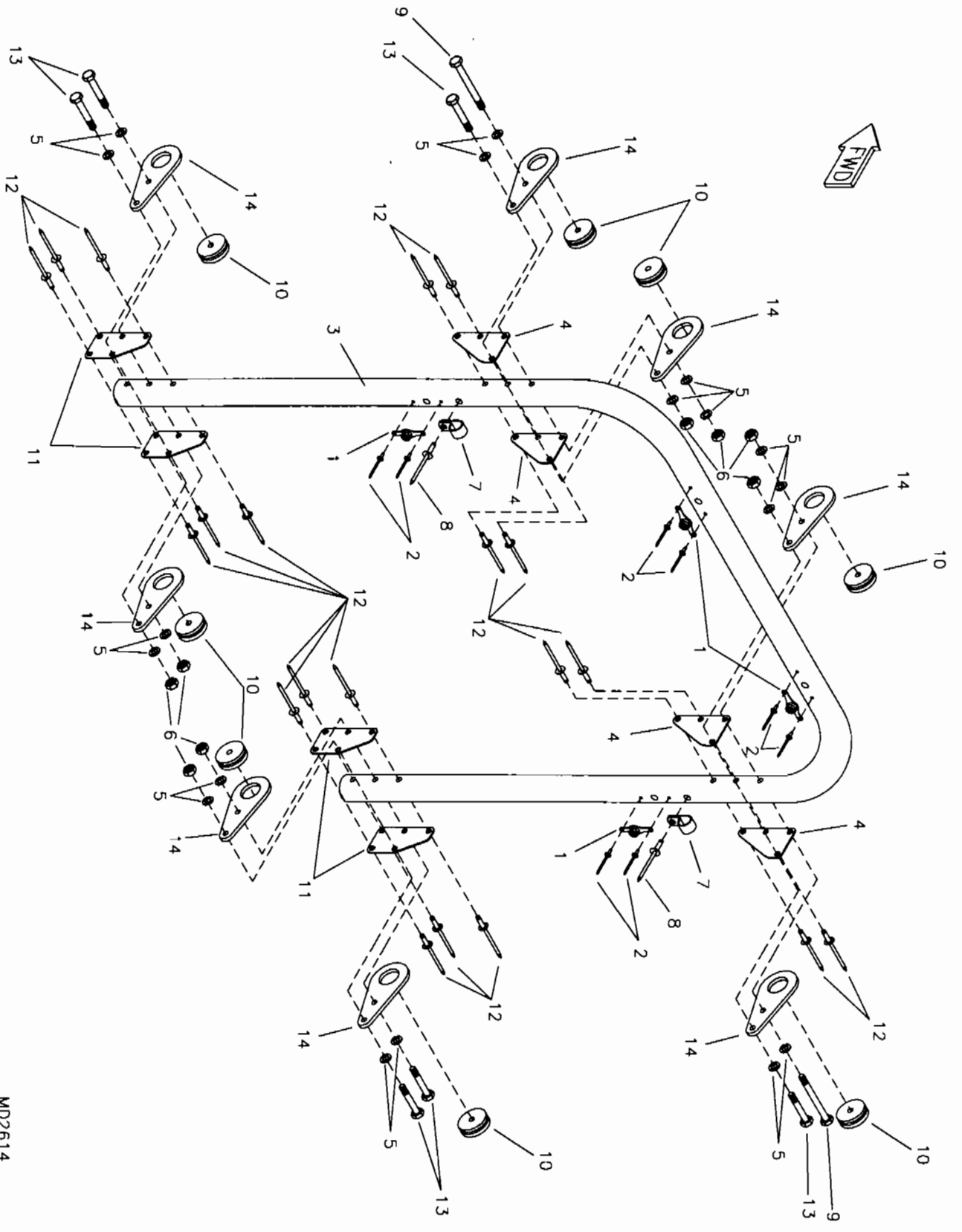
6/15/2011

EXAMPLE ONLY.
 MAY NOT REPRESENT ACTUAL PAGES
 FROM YOUR MANUAL.

Coyote I - General Information

#	DESCRIPTION	PART NUMBER	QUANTITY
1.	1/2" x .058 Aluminum Tube *	KAAC0003-2	6 in
1.	5 1/2" x .032 x 5 1/2" Aluminum Sheet *	KAAC0003-9	1
1.	1/2" x .035 Aluminum Tube *	KAAC0003-8	12 ft
1.	Retention Block Material *	KAAC0003-7	3 in
1.	3/8" x .035 Aluminum Tube *	KAAC0003-6	5 in
1.	3/4" x .058 Aluminum Tube *	KAAC0003-5	6 in
1.	3/8" x .090 Aluminum Tube *	KAAC0003-4	8 in
1.	3/8" x .058 Aluminum Tube *	KAAC0003-3	12 in
1.	1/4" x .028 Aluminum Tube *	KAAC0003-1	12 in
1.	Raw Stock Kit	KAAC0003	1
2.	Loctite Blue	LOC-TITE	1
3.	Safety Wire	SAFETY WIRE	18 ft
4.	Cleco Pliers	CLECO PLIERS	1
5.	#30 Copper Clecos	#30CLECOS	12
6.	#11 Gold Clecos	#11CLECOS	6
7.	Flight Log	FLIGHT LOG	1
8.	Maintenance Log Book	MAINTENANCE LOG	1
9.	Experimental Decal Sheets	EXPER-DECAL	1
10.	Range Decals	RANGE DECAL	1
11.	Assembly Manual	ASSEMBLY MANUAL	1
12.	Warning Label	KPPL0001	1

*Supplied in Raw Stock Kit.



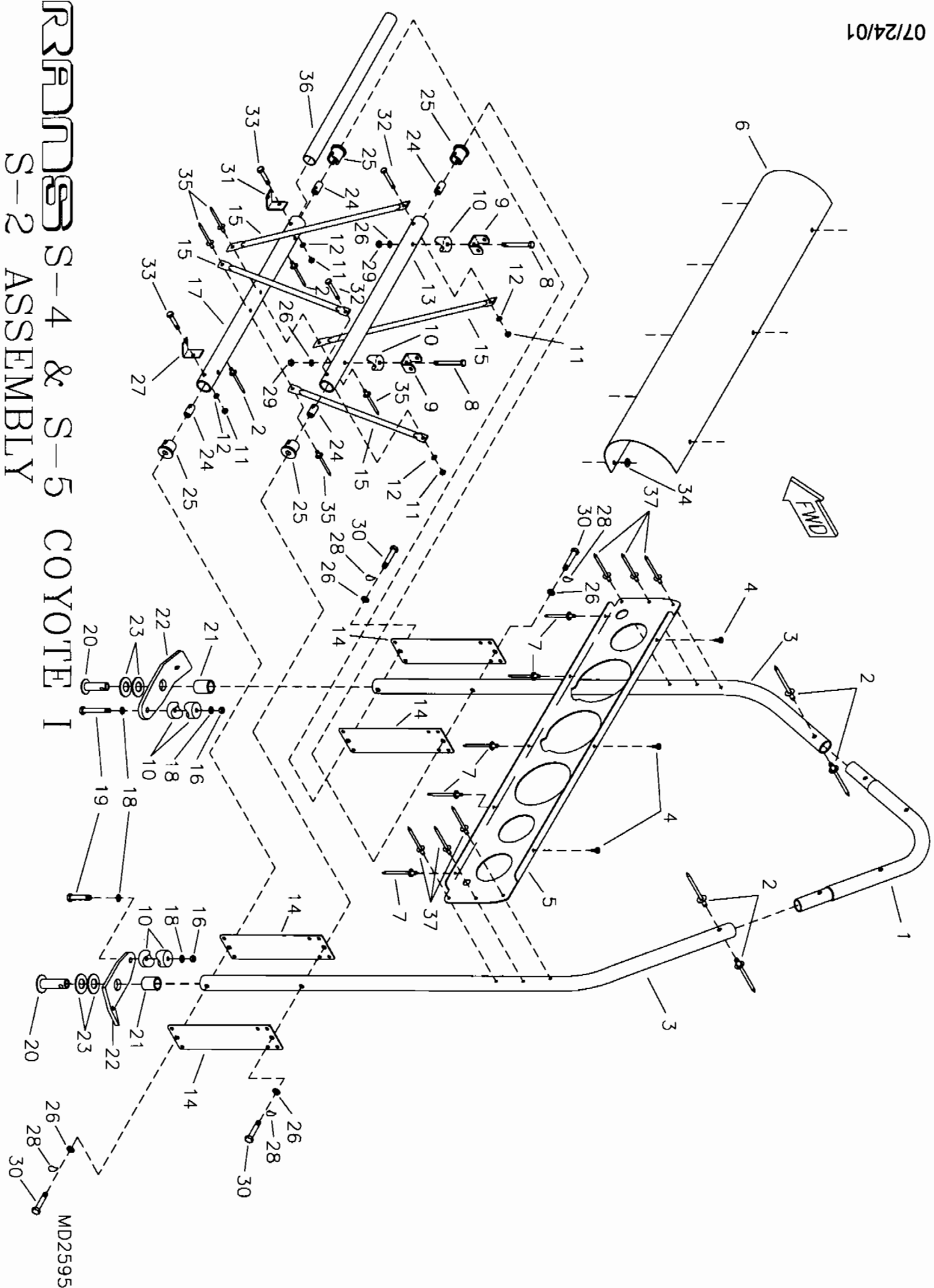
RRF0008 S-4 COYOTE S-1 ASSEMBLY

MD2614

Coyote I - S-1 Assembly

#	DESCRIPTION	PART NUMBER	QUANTITY
1.	3/16" Nut Plate	K-1000-3	4
2.	3/32" Aluminum Pop Rivet	40APR1/8	8
3.	S1 Extra Length	S1-XL	1
4.	Four Hole Gusset Plate	G-4	4
5.	3/16" Thick Washer	AN960-10	18
6.	3/16" Shear Nut	AN364-1032A	8
7.	Conduit Clamp	S1-CC	2
8.	3/16" Aluminum Pop Rivet - Cherry Q	AAPQ-62	2
9.	3/16" Bolt	AN3-23A	2
10.	Firewall Isolator	AN931A4-12	8
11.	Five Hole Gusset Plate	G-5	4
12.	3/16" Stainless Steel Pop Rivet - Cherry Q	CCPQ-62	20
13.	3/16" Bolt	AN3-16A	6
14.	Engine Mount Firewall	S1-EMF	8

RRRMMDS S-4 & S-5 COYOTE S-2 ASSEMBLY



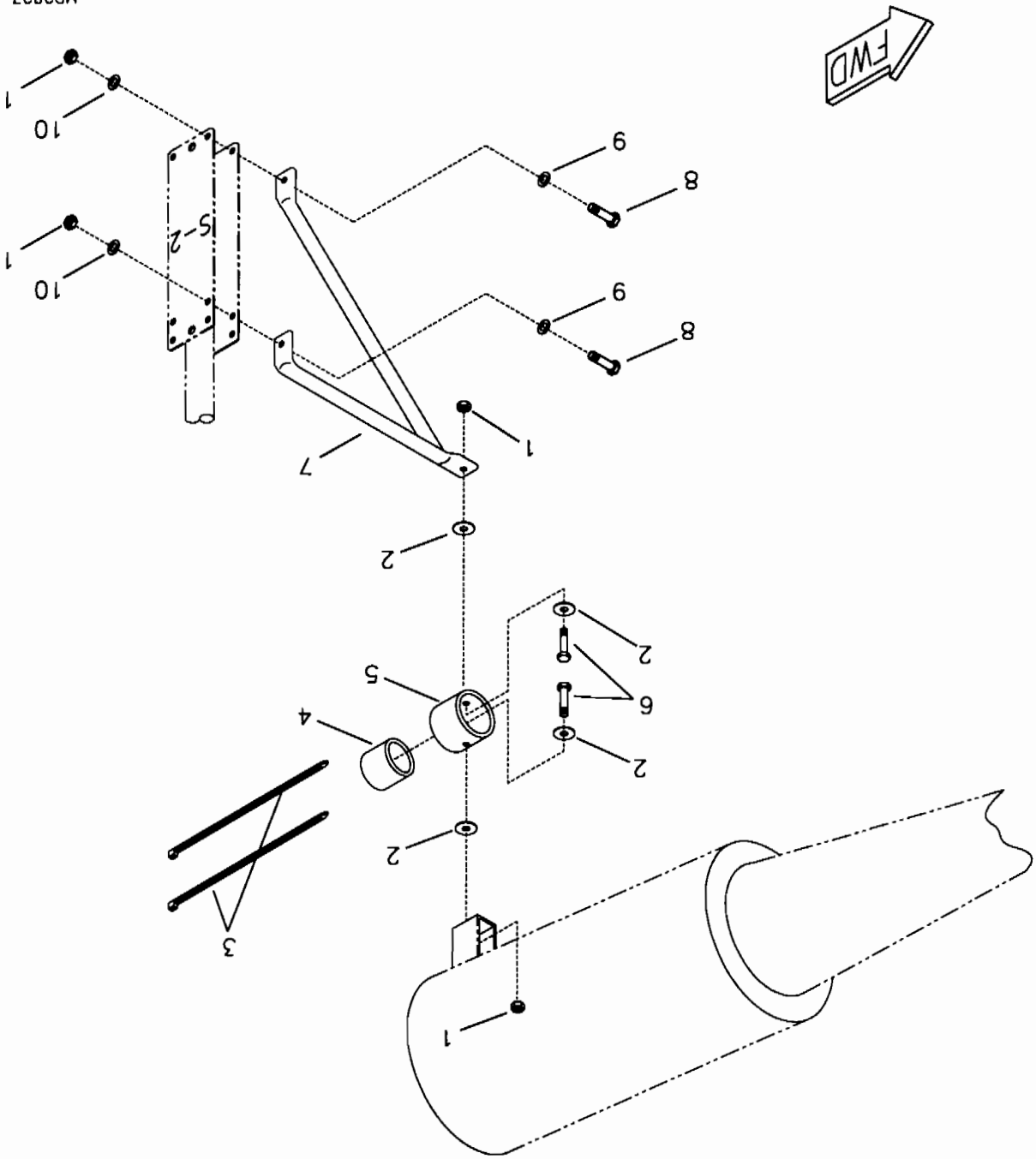
S-4 / S-5

Coyote I - S-2 Assembly

#	DESCRIPTION	PART NUMBER	QUANTITY
1.	Top Tube	KPFU0189	1
2.	3/16" Stainless Steel Pop Rivet - Cherry Q	CCPQ-62	6
3.	S2 Side Tube	S2-S	2
4.	#8 Pan Head Screw	8X1/2 PHS	3
5.	Instrument Panel	KPIP0071	1
6.	Panel Dust Cover	S2-IPC	1
7.	1/8" Aluminum Pop Rivet - Cherry Q	AAPQ-42	5
8.	1/4" Bolt	AN4-15A	2
9.	Seat Attach Bracket	S2-SAB	2
10.	1" Saddle	1-NS	6
11.	3/16" Shear Nut	AN364-1032A	4
12.	3/16" Thick Washer	AN960-10	4
13.	Top Crossing Tube	S2-TCT	1
14.	Eight Hole Gusset Plate	G-8	4
15.	1/2" Tube Diagonal Brace	S2-BT	4
16.	5/16" Shear Nut	AN364-524A	2
17.	Bottom Crossing Tube	S2-BCT	1
18.	5/16" Thick Washer	AN960-516	4
19.	5/16" Bolt	AN5-20A	2
20.	Wing Plate Retainer	LG-WPR	2
21.	Pin Ring	LG-P-RING	2
22.	Wing Plate	LG-WP-XL	2
23.	5/8" Shim	5/8 SHIM	4
24.	3/16" Insert Nut	I-NUT	4
25.	1" Compression Tube Fitting	TC-4	4
26.	1/4" Thin Washer	AN960-416L	6
27.	Floorboard Attach Angle. LH	S2-FBA-L	1
28.	Loctite Blue	LOC-TITE	0
29.	1/4" Shear Nut	AN364-428A	2
30.	1/4" Bolt	AN4-20A	4
31.	Floorboard Attach Angle, RH	S2-FBA-R	1
32.	3/16" Bolt	AN3-15A	2
33.	3/16" Bolt	AN3-13A	2
34.	1/8" Small Brass Washer	AN960-B4	5
35.	3/16" Stainless Steel Pop Rivet - Cherry Q	CCPQ-64	4
36.	Bottom Cross Tube Sleeve	KPFU0200	1
37.	1/8" Stainless Steel Pop Rivet - Cherry Q	CCPQ-42	6

RRRMS S-4/5 COYOTE MUFFLER MOUNT FOR UPRIGHT 503 ENGINE

MD2827

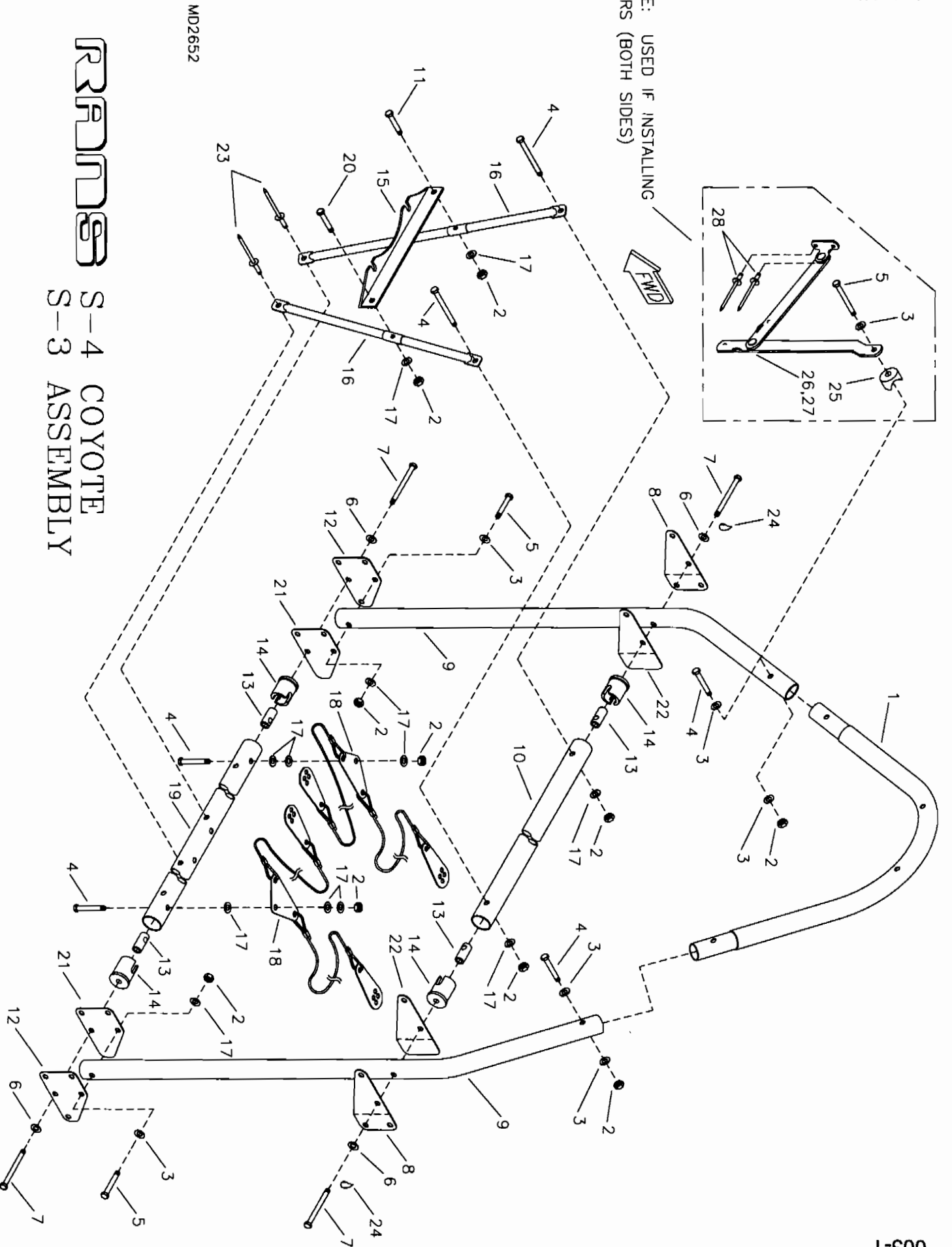
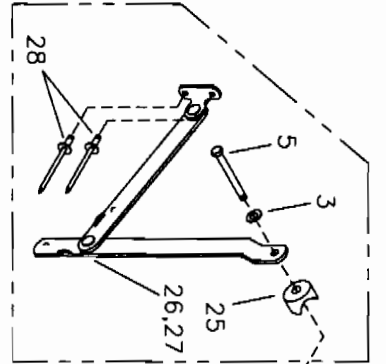


S-4 Coyote I - Muffler Mount for Upright Engines - 503

#	DESCRIPTION	PART NUMBER	QUANTITY
1.	3/16" Shear Nut	AN364-1032A	4
2.	3/16" Large Wood Washer	AN970-3	4
3.	Long Black Nylon Ties	LG-N-TIE	2
4.	Small Rubber Hose	S2-RUBHS	1
5.	Large Rubber Hose	S2-RUBHL	1
6.	3/16" Bolt	AN3-6A	2
7.	Muffler Mount	KPEX0047	1
8.	3/16" Bolt	AN3-15A	2
9.	3/16" Thin Washer	AN960-10L	2
10.	3/16" Thick Washer	AN960-10	2

*Supplied with Engine.

NOTE: USED IF INSTALLING DOORS (BOTH SIDES)



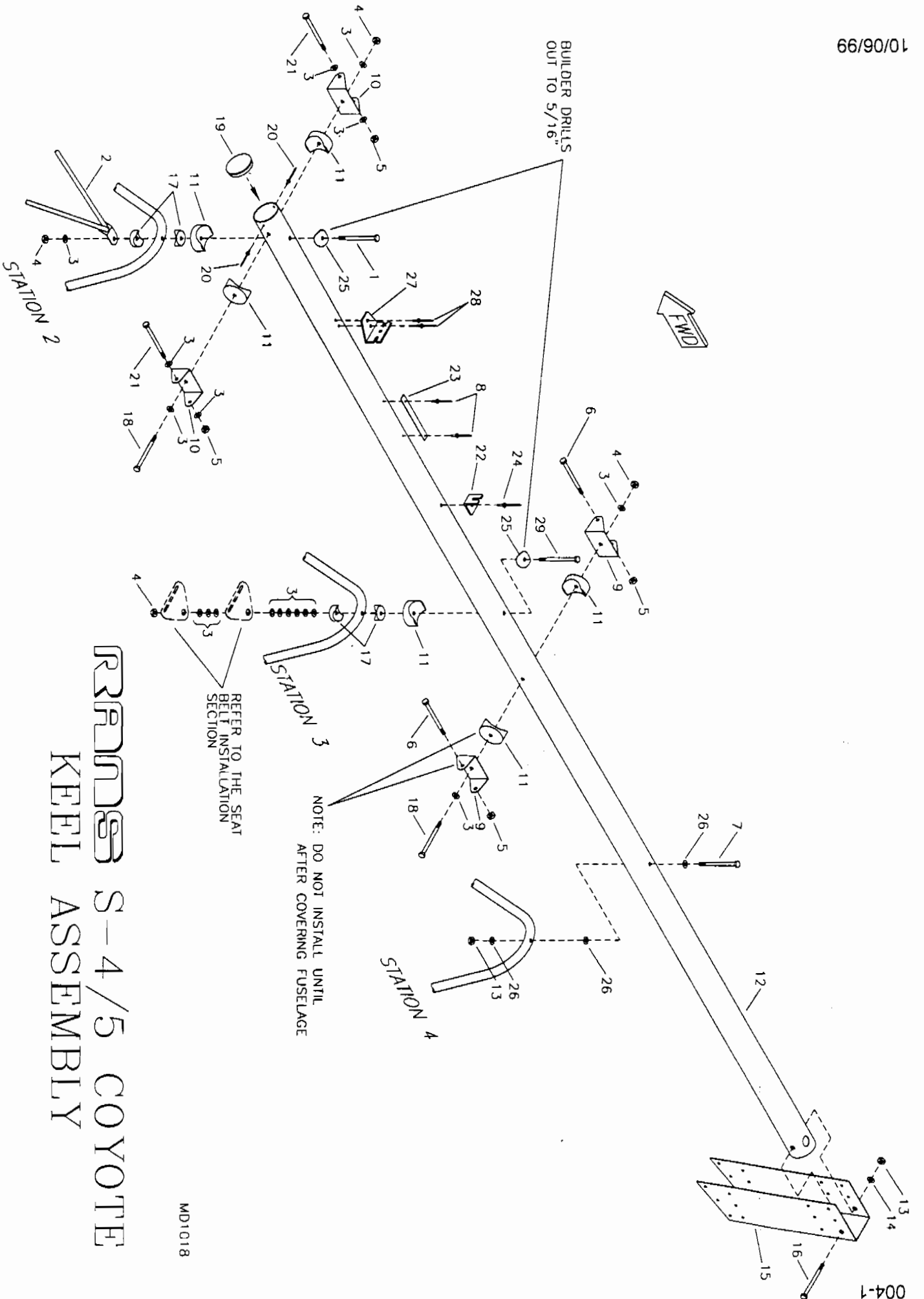
MD2652

RR-3 RR-4
S-3 S-4
COYOTE
ASSEMBLY

Coyote I - S-3 Assembly

#	DESCRIPTION	PART NUMBER	QUANTITY
1.	Top Tube	KPFU0189	1
2.	3/16" Shear Nut	AN364-1032A	10
3.	3/16" Thin Washer	AN960-10L	6
4.	3/16" Bolt (-2 Opt Doors)	AN3-14A	6
5.	3/16" Bolt (-2 no Doors)	AN3-13A	4
6.	1/4" Thin Washer	AN960-416L	4
7.	1/4" Bolt	AN4-20A	4
8.	Four Hole Gusset Plate	G-4	2
9.	S3 Side	S3-S	2
10.	S3 Top Cross Tube	S3-TCT	1
11.	3/16" Bolt	AN3-16A	1
12.	Five Hole Gusset Plate	G-5	2
13.	3/16" Insert Nut	I-NUT	4
14.	1" Compression Tube Fitting	TC-4	4
15.	Dual Teleflex Retainer	S3-TF-R	1
16.	1/2" Tube Diagonal Brace	S3-BT	2
17.	3/16" Thick Washer	AN960-10	12
18.	Fuselage Cable	S3-FC	2
19.	S3 Bottom Cross Tube	S3-BCT	1
20.	3/16" Bolt	AN3-11A	1
21.	Gusset Plate	G-5A	2
22.	Gusset Plate	G-4A	2
23.	3/16" Stainless Steel Pop Rivet - Cherry Q	CCPQ-64	2
24.	Loctite Blue	LOC-TITE	0
25.	1" Saddle *	1-NS	2
26.	Right Door Opener *	KSDR0001-R	1
27.	Left Door Opener *	KSDR0001-L	1
28.	3/16" Aluminum Pop Rivet - Cherry Q *	AAPQ-64	4

*Optional doors only.

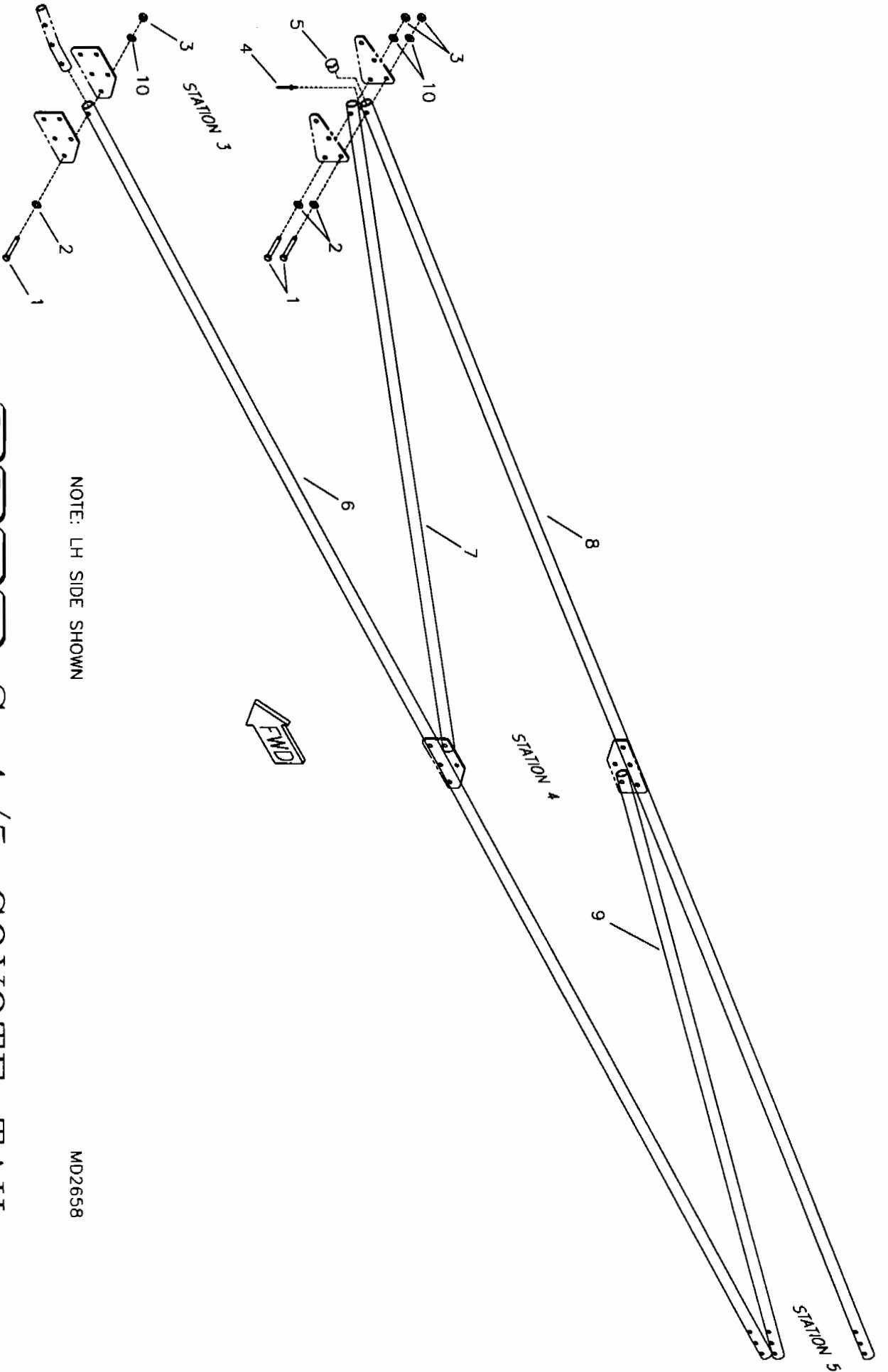


RRRMS S-4/5 COYOTE
KEEL ASSEMBLY

S-4 & S-5 Coyote I - Keel Assembly

#	DESCRIPTION	PART NUMBER	QUANTITY
1.	5/16" Bolt	AN5-41A	1
2.	Firewall Brace	FB-BRACE	1
3.	5/16" Thick Washer	AN960-516	18
4.	5/16" Tensile Nut	AN365-524A	4
5.	5/16" Shear Nut	AN364-524A	4
6.	5/16" Bolt	AN5-23A	2
7.	3/16" Bolt	AN3-30A	1
8.	1/8" Aluminum Pop Rivet - Cherry Q	AAPQ-42	2
9.	Trailing Edge Spar Attach Bracket *	SU-158	2
10.	Leading Edge Spar Attach Bracket *	SU-218-A	2
11.	2" Saddle *	S-916	6
12.	Keel	K-K	1
13.	3/16" Shear Nut	AN364-1032A	2
14.	3/16" Thick Washer	AN960-10	1
15.	S5	S5	1
16.	3/16" Bolt	AN3-24A	1
17.	1" Saddle	1-NS	4
18.	5/16" Bolt	AN5-30A	2
19.	2" End Cap	EC-10	1
20.	3/32" Aluminum Pop Rivet	40APR1/8	2
21.	5/16" Bolt	AN5-30A	2
22.	Teleflex Retainer	W-TEL-R	1
23.	Flap Cable Rub Strip	FL-RS	1
24.	3/16" Stainless Steel Pop Rivet - Cherry Q	CCPQ-64	1
25.	Formed Washer	KPAC0053	2
26.	3/16" Thin Washer	AN960-10L	3
27.	Dual Teleflex Retainer	KPFL0054	1
28.	1/8" Stainless Steel Pop Rivet - Cherry Q	CCPQ-44	2
29.	5/16" Bolt	AN5-44A	1

*Builder modifies as required.



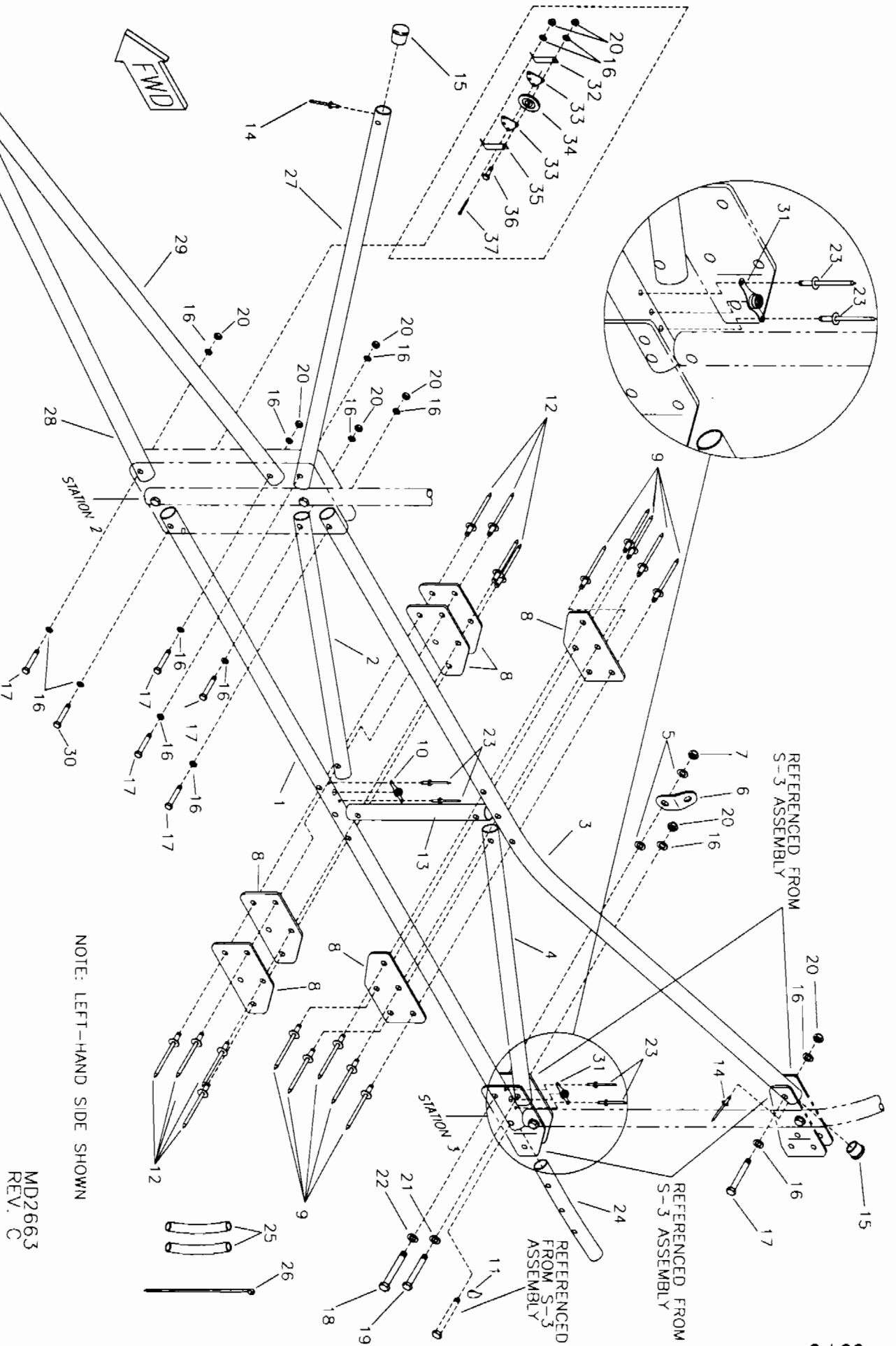
NOTE: LH SIDE SHOWN

MD2658

**RRMD S-4/5 COYOTE TAIL
LONGERONS AND DIAGONALS**

S-4 Coyote I - Tail Longerons & Diagonals

#	DESCRIPTION	PART NUMBER	QUANTITY
1.	3/16" Bolt	AN3-14A	6
2.	3/16" Thin Washer	AN960-10L	6
3.	3/16" Shear Nut	AN364-1032A	6
4.	3/32" Aluminum Pop Rivet	40APR1/8	2
5.	1" End Cap	1 CAP	2
6.	Bottom Tailcone Longeron	3-4-3	2
7.	FWD Tailcone Diagonal	3-2	2
8.	Tailcone Top Longeron	3-4-1	2
9.	Tailcone Diagonal	4-2	2
10.	3/16" Thick Washer	AN960-10	6



NOTE: LEFT-HAND SIDE SHOWN

MD2663
REV. C

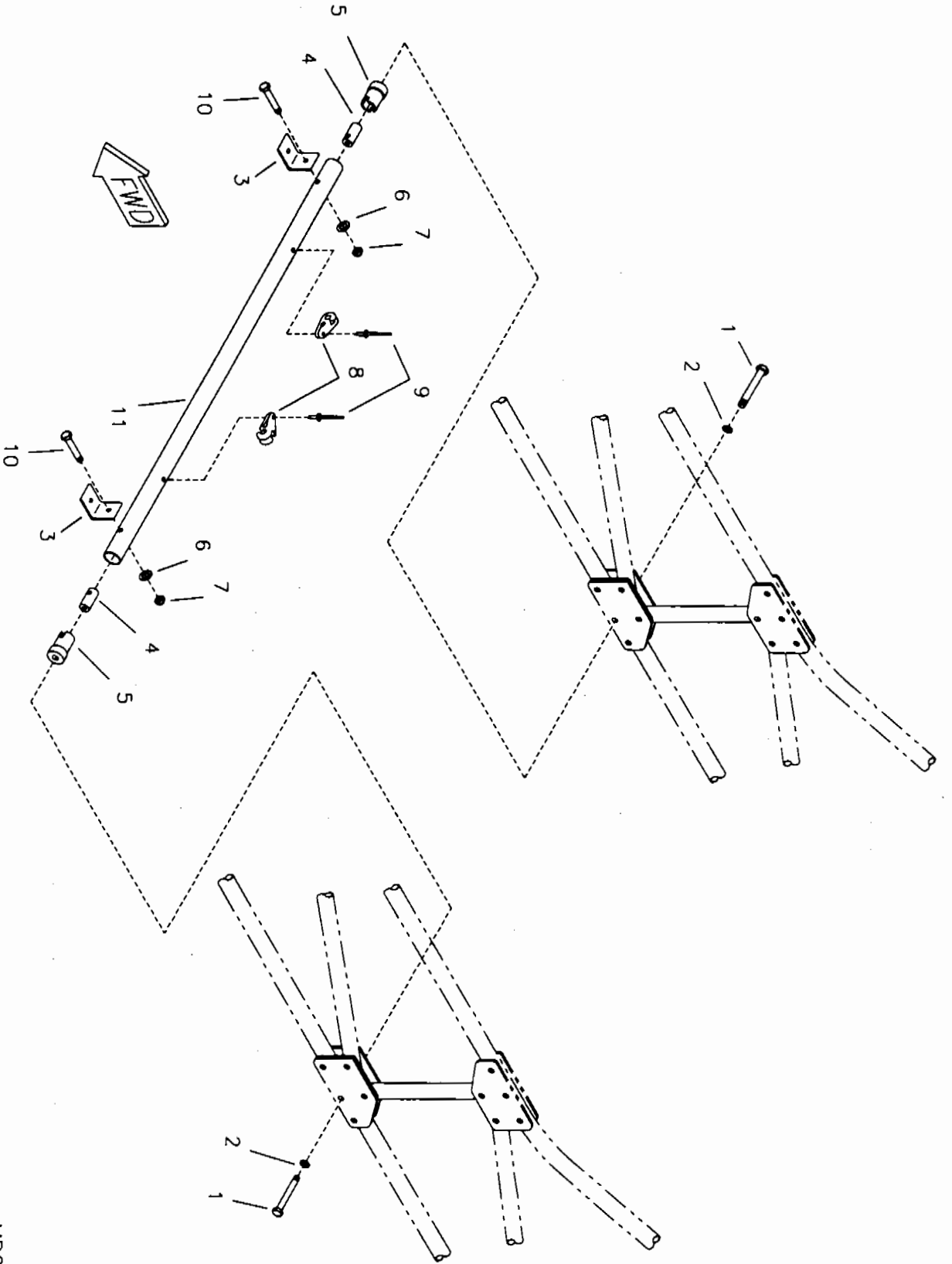
RRRND8 S-4 & S-5 COYOTE COCKPIT DIAGONALS
ASSEMBLY, STATIONS 1 THRU 3

S-4 & S-5 Coyote I - Cockpit Diagonals Assembly S-1 thru S-3

#	DESCRIPTION	PART NUMBER	QUANTITY
1.	AFT Cockpit Bottom Longeron	2-3	2
2.	AFT Cockpit Diagonal Brace	2-2A	2
3.	AFT Cockpit Top Longeron	KPFU0180	2
4.	AFT Cockpit Diagonal	KPFU0182	2
5.	1/4" Thick Washer	AN960-416	4
6.	Tang	FAT-4	2
7.	1/4" Shear Nut	AN364-428A	2
8.	Five Hole Gusset Plate	G-5	12
9.	3/16" Stainless Steel Pop Rivet - Cherry Q	CCPQ-62	20
10.	1/4" Nut Plate	MS21047-04	2
11.	Loctite Blue	LOC-TITE	0
12.	3/16" Stainless Steel Pop Rivet - Cherry Q	CCPQ-64	24
13.	Vertical Brace Tube	KPFU0181	2
14.	3/32" Aluminum Pop Rivet	40APR1/8	8
15.	1" End Cap	1 CAP	4
16.	3/16" Thick Washer	AN960-10	34
17.	3/16" Bolt	AN3-14A	12
18.	1/4" Bolt	AN4-16A	2
19.	3/16" Bolt	AN3-13A	2
20.	3/16" Shear Nut	AN364-1032A	18
21.	3/16" Thin Washer	AN960-10L	2
22.	1/4" Thin Washer	AN960-416L	2
23.	3/32" Aluminum Pop Rivet	40APR1/4	10
24.	S-3 to Tailcone 7/8" Connect	S3-7/8C	2
25.	1/4" Blue Fuel Line *	FS-FL	2 ft
26.	Short Black Nylon Ties	N-TIES	4
27.	FWD Cockpit Top Longeron	1-1-XL	2
28.	FWD Cockpit Bottom Longeron	1-3-XL	2
29.	FWD Cockpit Diagonal	1-2-XL	2
30.	3/16" Bolt	AN3-16A	2
31.	3/16" Nut Plate	K-1000-3	2
32.	Inner Pulley Hang Strap	I-PHS	2
33.	Pulley Cable Keeper **	SP-CK	4
34.	Small Pulley	AN210-1A	2
35.	Outer Pulley Hang Strap	O-PHS	2
36.	3/16" Bolt	AN3-7A	2
37.	Large Cotter Pin	MS24665-285	2

*Builder must cut to length. Refer to text for instructions.

**Builder must modify. Refer to text for instructions.

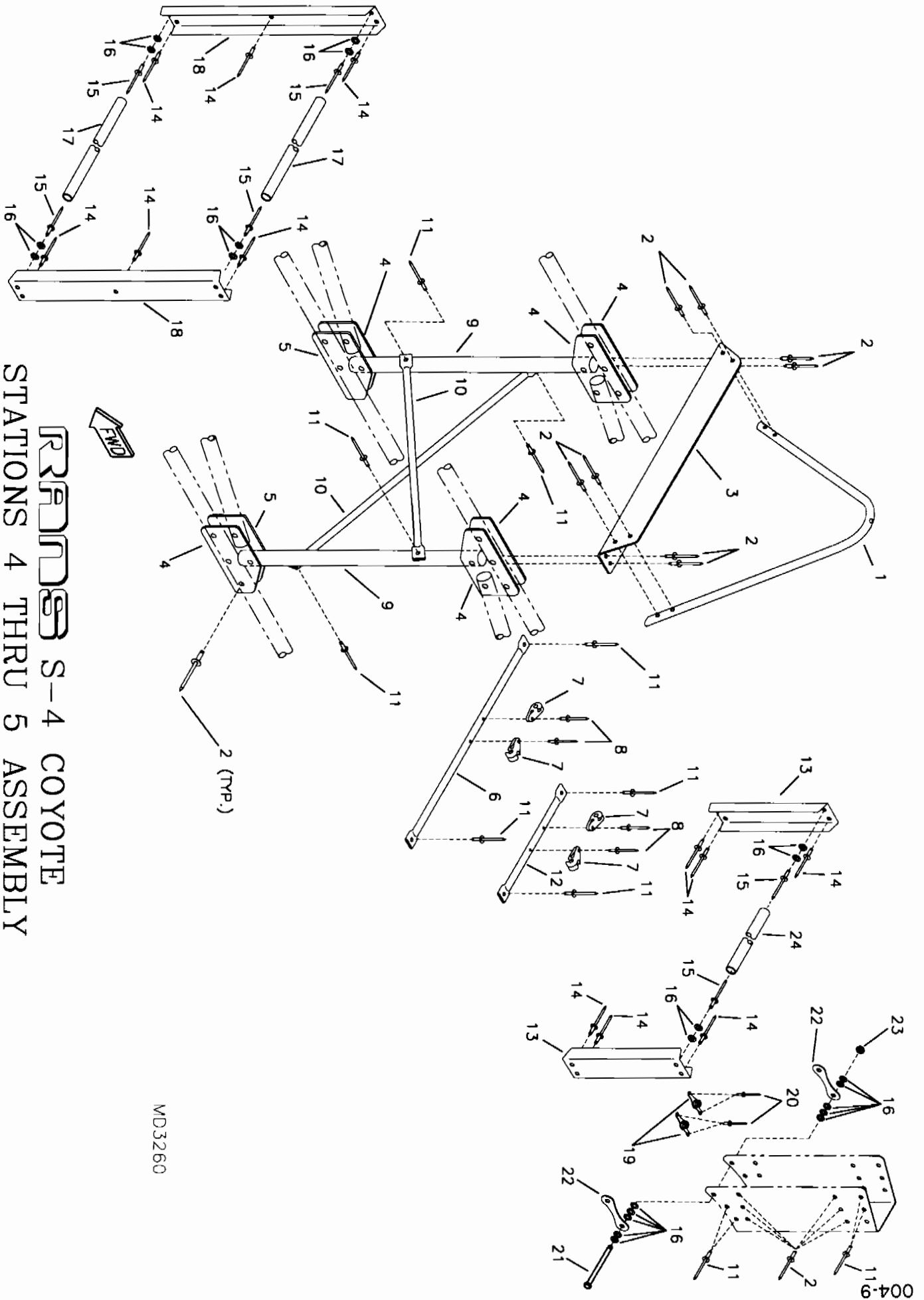


RRRMMSS S-4 & S-5 COYOTE S-2A ASSEMBLY

MD2664

Coyote I - S-2A Assembly

#	DESCRIPTION	PART NUMBER	QUANTITY
1.	1/4" Bolt	AN4-22A	2
2.	1/4" Thin Washer	AN960-416L	2
3.	Cowling Retainer	S1-CR	2
4.	3/16" Insert Nut	I-NUT	2
5.	1" Compression Tube Fitting	TC-4	2
6.	3/16" Thick Washer	AN960-10	2
7.	3/16" Shear Nut	AN364-1032A	2
8.	Cable Guide	HA-144	2
9.	3/16" Aluminum Pop Rivet - Cherry Q	AAPQ-68	2
10.	3/16" Bolt	AN3-14A	2
11.	Bottom Crossing Tube	S2-ABT	1



**RRANDS S-4 COYOTE
STATIONS 4 THRU 5 ASSEMBLY**

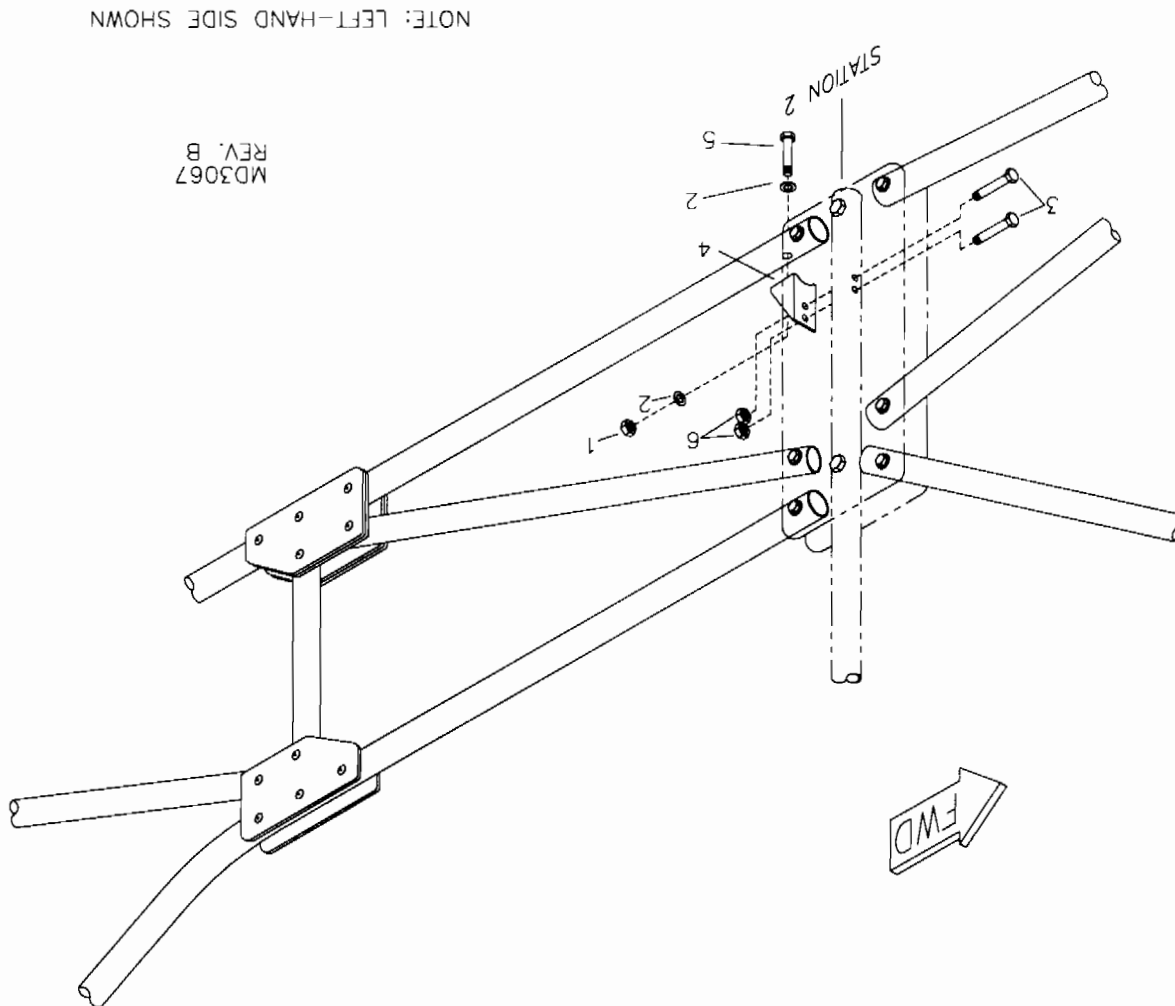
MD3260

S-4 Coyote I - Station 4 - Station 5 Assembly

#	DESCRIPTION	PART NUMBER	QUANTITY
1.	S4 Top Tube	S4-T	1
2.	3/16" Stainless Steel Pop Rivet - Cherry Q	CCPQ-62	58
3.	S4 Top Crossing	S4-TC	1
4.	Five Hole Gusset Plate	G-5	6
5.	Gusset Plate, Four Holes	G-5A	2
6.	1/2" Tube	S2-BT	1
7.	Cable Guide	HA-144	4
8.	3/16" Aluminum Pop Rivet - Cherry Q	AAPQ-68	4
9.	S4 Side Tube	S4-ST	2
10.	1/2" Tube	S4-BT	2
11.	3/16" Stainless Steel Pop Rivet - Cherry Q	CCPQ-64	16
12.	AFT Bottom Cross Tube	KPFU0175	1
13.	Tailcone Side-Channel AFT - LH	KPFU0171-L	1
13.	Tailcone Side-Channel AFT - RH	KPFU0171-R	1
14.	1/8" Stainless Steel Pop Rivet - Cherry Q	CCPQ-42	14
15.	3/16" Aluminum Pop Rivet - Cherry Q	AAPQ-64	4
16.	3/16" Thick Washer	AN960-10	22
17.	Fuselage Spreader Tube	3-4-3-BT	2
18.	Tailcone Side-Channel FWD - LH	KPFU0172-L	1
18.	Tailcone Side-Channel FWD - RH	KPFU0172-R	1
19.	1/4" Nut Plate	MS21047-04	2
20.	3/32" Aluminum Pop Rivet	40APR1/4	4
21.	3/16" Bolt	AN3-32A	1
22.	Hummertang	T12-HT6	2
23.	3/16" Tensile Nut	AN365-1032A	1
24.	Aluminum Tube, 1/2" x .035 x X *	KAAC0003-8	0

*Builder must fabricate from Raw Stock.

RANDS S-4 COYOTE I TRANSFER ANGLE INSTALLATION

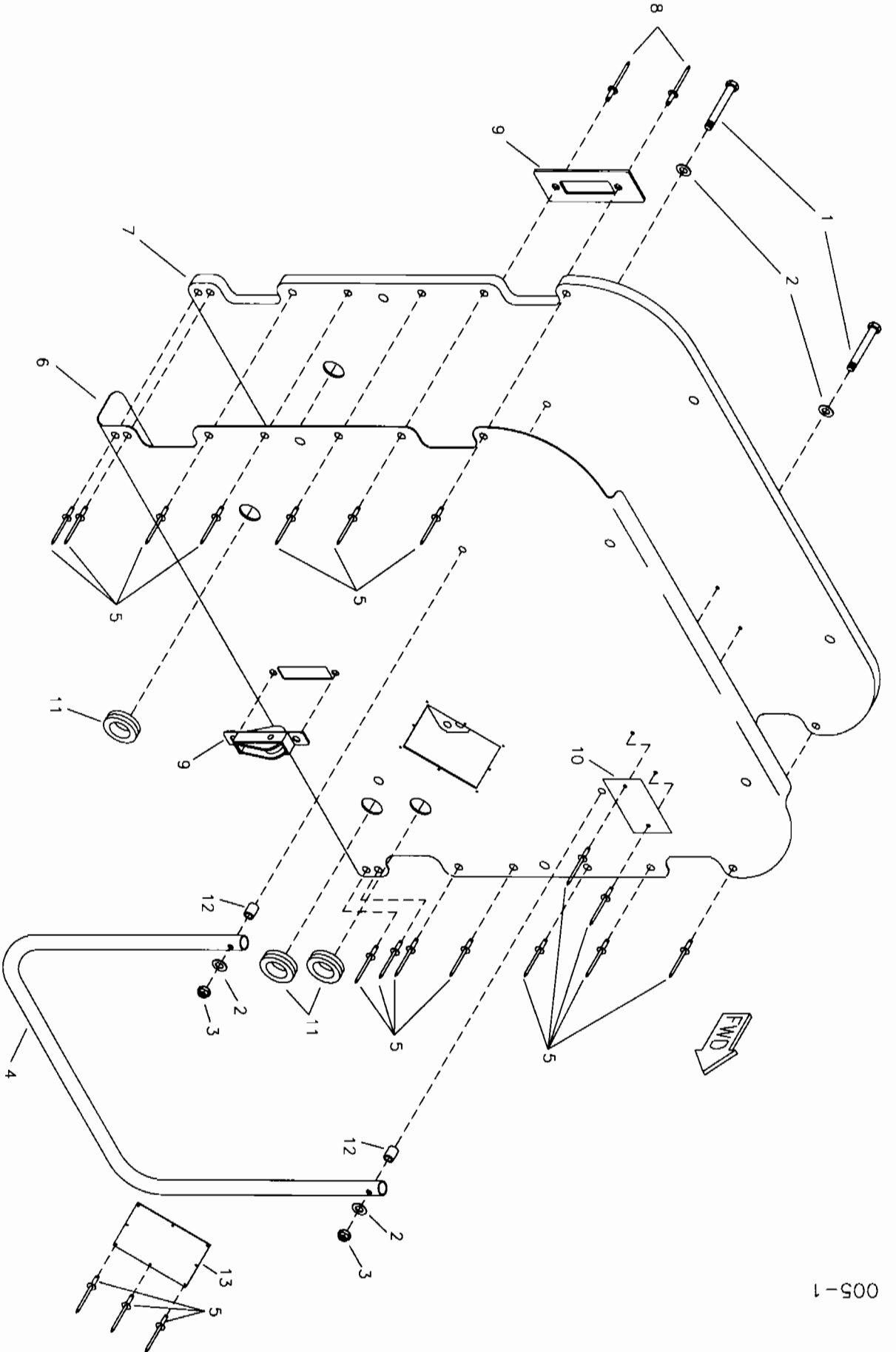


NOTE: LEFT-HAND SIDE SHOWN

MD3067
REV. B

S-4 Coyote I - Transfer Angle Installation

#	DESCRIPTION	PART NUMBER	QUANTITY
1.	1/4" Tensile Nut	AN365-428A	2
2.	1/4" Thin Washer	AN960-416L	4
3.	3/16" Bolt	AN3-14A	4
4.	Support Angle, Outer	KPMG0101	2
5.	1/4" Bolt	AN4-16A	2
6.	3/16" Shear Nut	AN364-1032A	4



RRRMMSS S-4/5 COYOTE FIREWALL

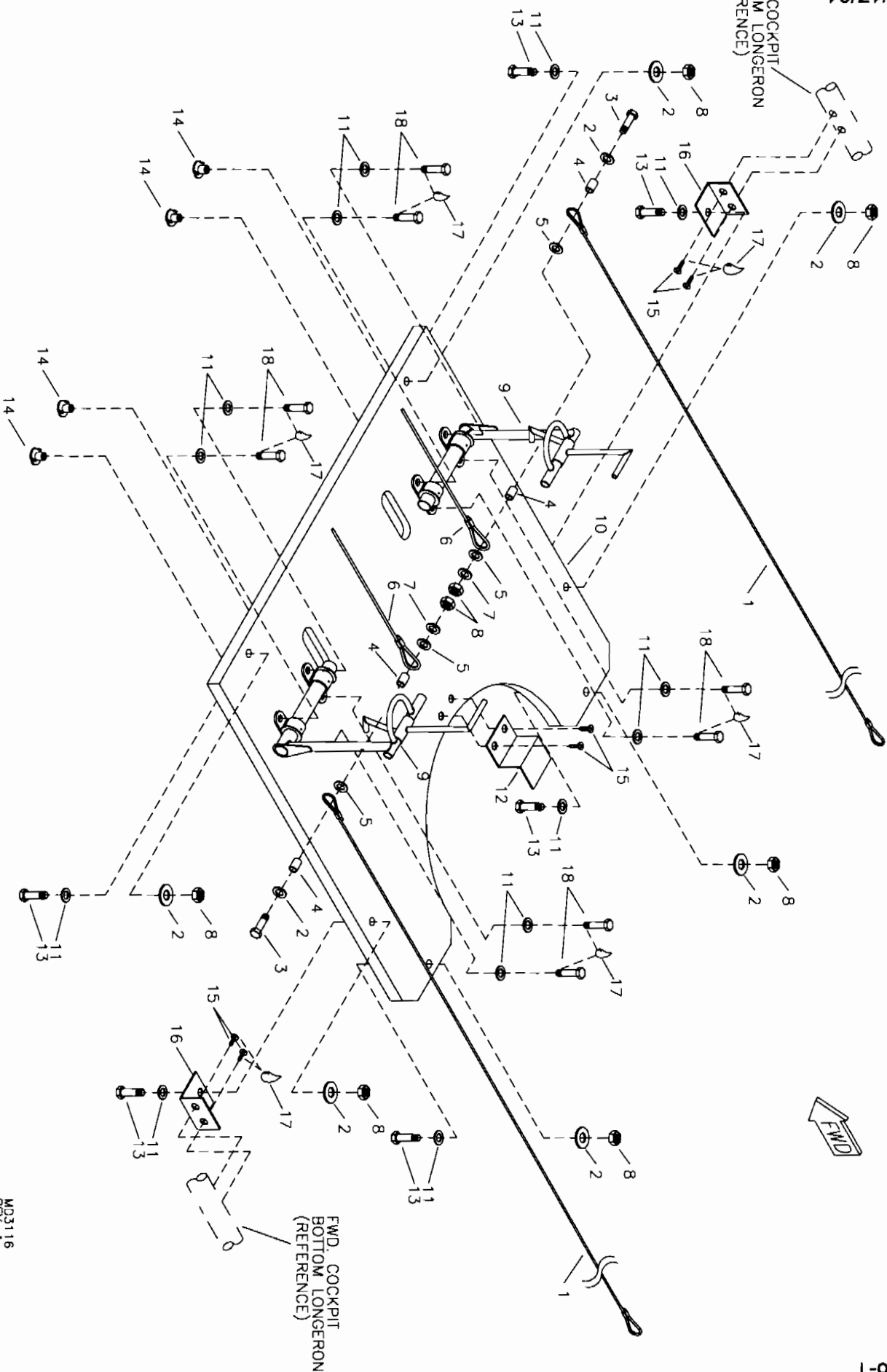
MD2613

S-4 & S-5 Coyote I - Firewall Assembly

#	DESCRIPTION	PART NUMBER	QUANTITY
1.	3/16" Bolt	AN3-11A	2
2.	3/16" Thin Washer	AN960-10L	4
3.	3/16" Shear Nut	AN364-1032A	2
4.	Lace Up Tube	S1-LUT-XL	1
5.	1/8" Aluminum Pop Rivet - Cherry Q	AAPQ-42	24
6.	S-5 Firewall	S1-FW-XL	1
7.	Firewall Soundproofing	S1-FWSP	1
8.	3/16" Aluminum Pop Rivet - Cherry Q	AAPQ-62	2
9.	Firewall Pulley & Face Plate	106	1
10.	Serial Number Plate	DATA PLATE	1
11.	Rubber Grommet	MS35489-17	3
12.	Aluminum Bushing, 1/4" x .028 x 1/4" *	KAAC0003-1	0
13.	Starter Cover *	KAAC0003-9	0

*Builder must fabricate from Raw Stock.

FWD. COCKPIT
BOTTOM LONGERON
(REFERENCE)



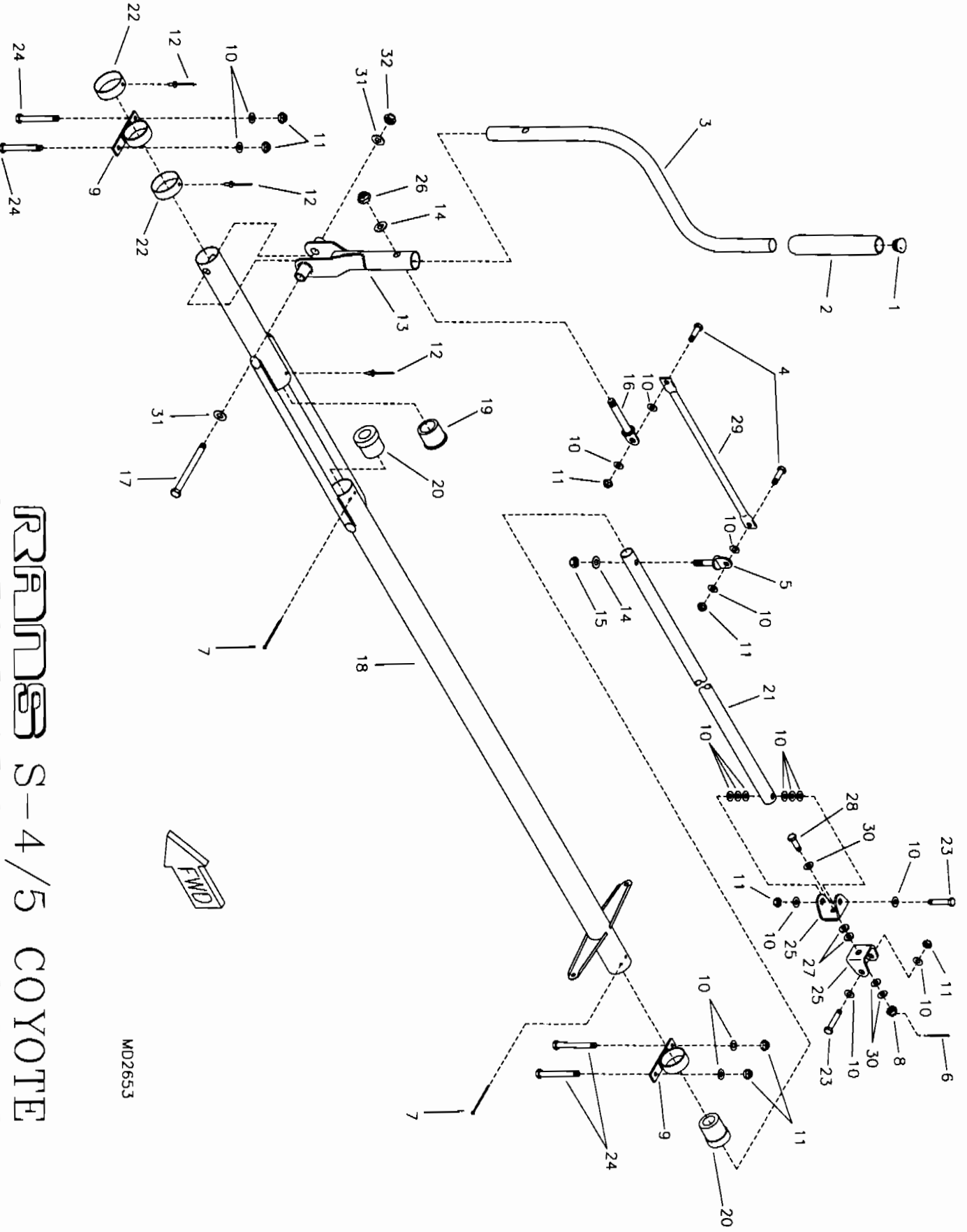
R3000 S-4 COYOTE
FLOORBOARD ASSEMBLY

MD3116
 REV. A

Coyote I - Floorboard & Rudder Pedal Assembly

#	DESCRIPTION	PART NUMBER	QUANTITY
1.	Rudder Cable	FB-RC-XL	2
2.	3/16" Large Washer	AN970-3	8
3.	3/16" Bolt	AN3-15A	2
4.	Aluminum Bushing, 1/4" x .028 x 1/4" *	KAAC0003-1	0
5.	3/16" Plastic Washer	PW-3	4
6.	Rudder Return Bungee	FB-RRB	2
7.	3/16" Thick Washer	AN960-10	2
8.	3/16" Shear Nut	AN364-1032A	8
9.	Rudder Pedal, RH	S4-RP-ASSY-RH	1
9.	Rudder Pedal, LH	S4-RP-ASSY-LH	1
10.	Floorboard	FB-FB(4/5)	1
11.	3/16" Thin Washer	AN960-10L	14
12.	Starter Handle Hook	ST-HOOK	1
13.	3/16" Bolt	AN3-6A	6
14.	10-32 Tee Nut	KSHW0054	8
15.	#8 Pan Head Screw	8X1/2 PHS	6
16.	Floorboard Side Angle	FB-SA	2
17.	Loctite Blue	LOC-TITE	0
18.	3/16" Bolt	AN3-4A	8

*Builder must fabricate from Raw Stock.



**RRAND S-4/5 COYOTE
CONTROL STICK ASSEMBLY**

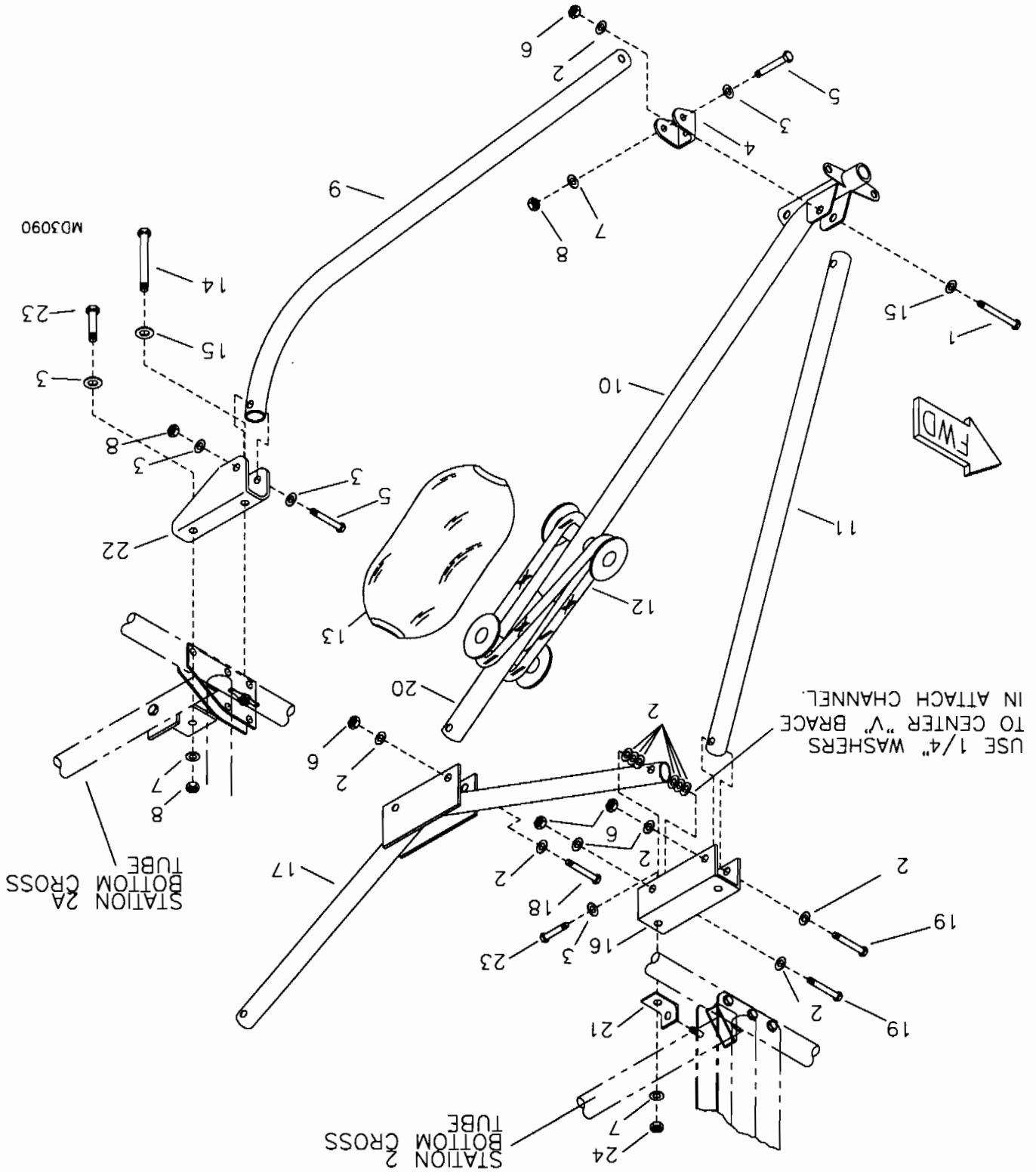


MD2653

Coyote I - Control Stick Assembly

#	DESCRIPTION	PART NUMBER	QUANTITY
1.	Control Stick End Cap	CS-EC	1
2.	Control Stick Grip	CS-G	1
3.	Control Stick	CS-CS	1
4.	3/16" Bolt	AN3-5A	2
5.	1/4" Eyebolt	AN43B-10A	1
6.	Small Cotter Pin	MS24665-134	1
7.	Large Cotter Pin	MS24665-285	2
8.	1/4" Castle Nut	AN310-4	1
9.	Pillow Block Forward	CS-PBF(4/5)	2
10.	3/16" Thick Washer	AN960-10	18
11.	3/16" Shear Nut	AN364-1032A	8
12.	1/8" Aluminum Pop Rivet - Cherry Q	AAPQ-42	3
13.	Control Connect Tube	CS-CCT(4/5)	1
14.	1/4" Thin Washer	AN960-416L	2
15.	1/4" Shear Nut	AN364-428A	1
16.	1/4" Eyebolt	AN43B-13A	1
17.	5/16" Bolt	AN5-24A	1
18.	Torque Tube	CS-TT(4/5)	1
19.	1" End Cap	1 CAP	1
20.	Forward Glide	CS-FGL	2
21.	5/8" Push Pull Tube	CS-5/8PPT(4/5)	1
22.	Stop Ring	CS-SR	2
23.	3/16" Bolt	AN3-15A	2
24.	3/16" Bolt	AN3-14A	4
25.	Elevator Push Pull Tube Connect Bracket	S2-SAB	2
26.	1/4" Tensile Nut	AN365-428A	1
27.	1/4" Plastic Washer	PW-4	2
28.	1/4" Bolt	AN4-7	1
29.	1/2" Linkage Tube	CS-LT-A	1
30.	1/4" Thick Washer	AN960-416	3
31.	5/16" Thin Washer	AN960-516L	2
32.	5/16" Shear Nut	AN364-524A	1

RRMS S-4 COYOTE MAIN LANDING GEAR ASSEMBLY & INSTALLATION



S-4 Coyote I - Main Landing Gear Assembly & Installation

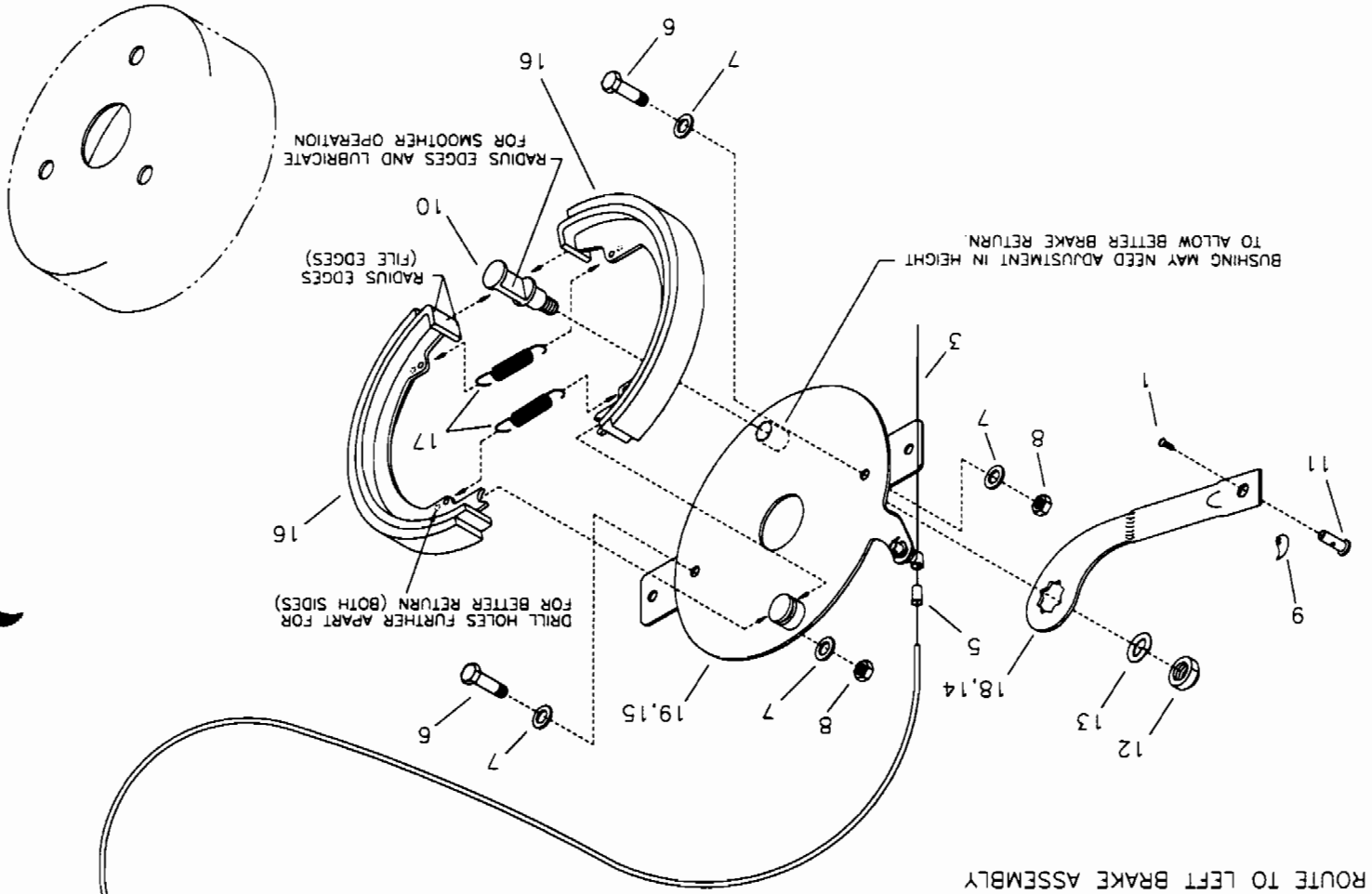
#	DESCRIPTION	PART NUMBER	QUANTITY
1.	1/4" Bolt	AN4-17A	2
2.	1/4" Thick Washer	AN960-416	26
3.	3/16" Thin Washer	AN960-10L	16
4.	Gear Brace Attach Bracket	S2-SAB	2
5.	3/16" Bolt	AN3-15A	4
6.	1/4" Shear Nut	AN364-428A	8
7.	3/16" Thick Washer	AN960-10	6
8.	3/16" Shear Nut	AN364-1032A	8
9.	AFT Gear Brace, LH	NG-AFT-B-L	1
9.	AFT Gear Brace, RH	NG-AFT-B-R	1
10.	Gear Leg	LG-GL	2
11.	Landing Gear Compression Tube	LG-GCT	2
12.	Bungee *	1080	2
13.	Bungee Cover	LG-COV	2
14.	1/4" Bolt	AN4-14A	2
15.	1/4" Thin Washer	AN960-416L	2
16.	Gear Attach Channel	LG-NG-GAC	2
17.	"V" Brace	LG-VB	1
18.	1/4" Bolt	AN4-13A	2
19.	1/4" Bolt	AN4-15A	4
20.	Inner Side Tube *	LG-IST	2
21.	Support Angle, Inner	KPMG0102	2
22.	Main Gear Brace Bracket	NG-AFT-MG	2
23.	3/16" Bolt	AN3-5A	4
24.	3/16" Tensile Nut	AN365-1032A	2

*Supplied with Gear Leg.

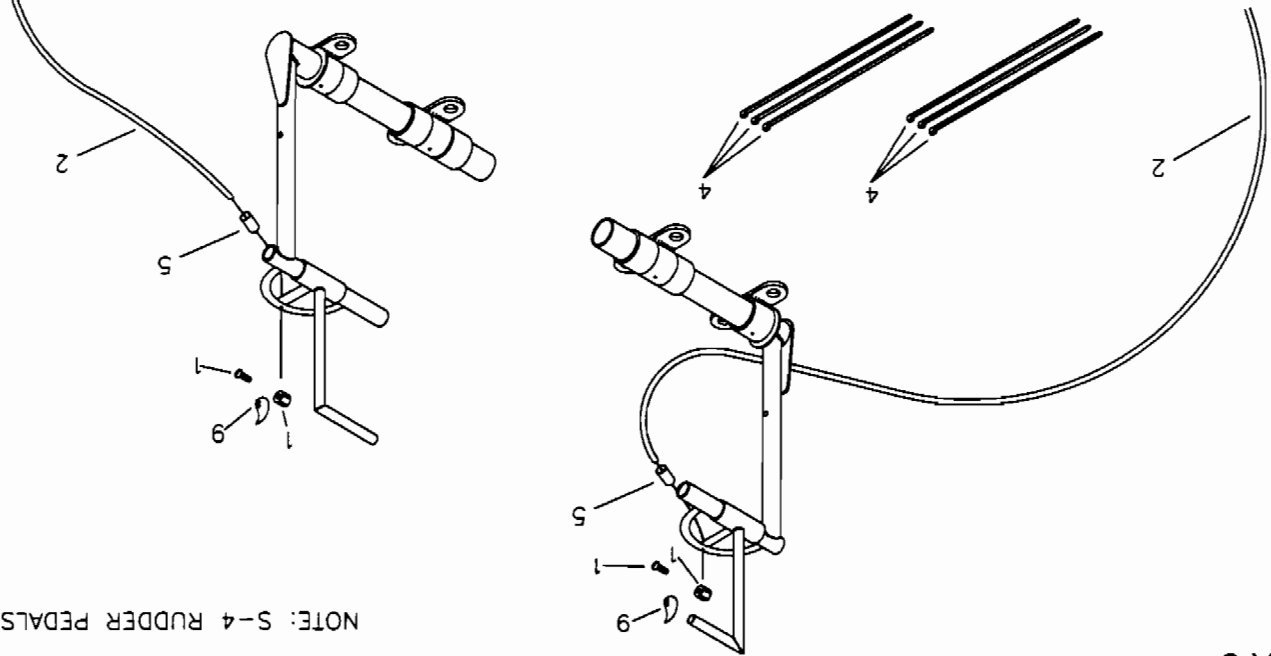
RRMS S-4 & S-5 COYOTE BRAKE SYSTEM ASSEMBLY

MD1211

NOTE: RIGHT BRAKE ASSEMBLY SHOWN



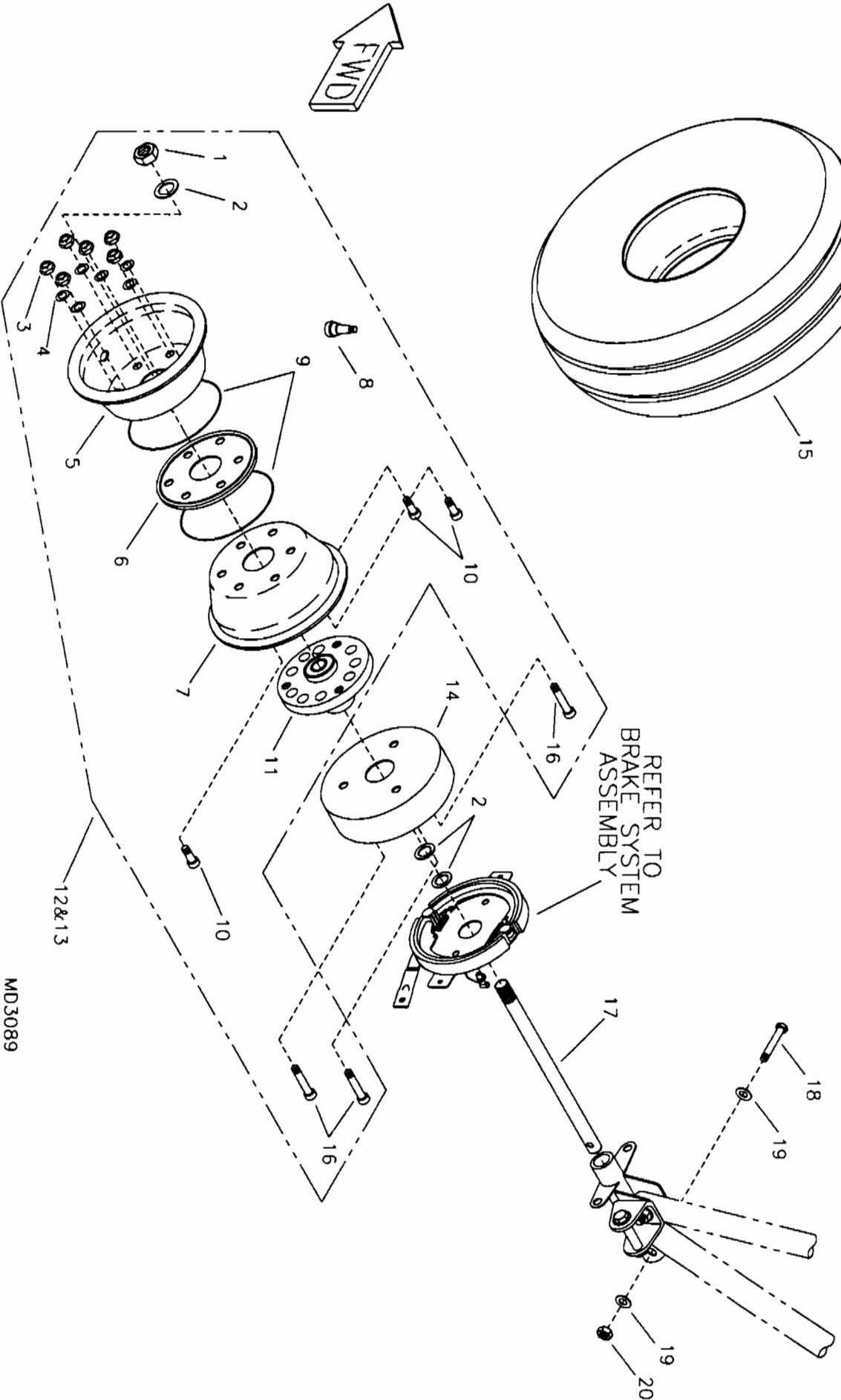
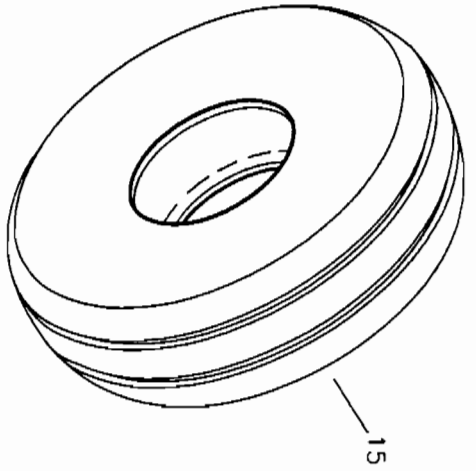
ROUTE TO LEFT BRAKE ASSEMBLY



NOTE: S-4 RUDDER PEDALS SHOWN

S-4 & S-5 Coyote I - Brake System Assembly

#	DESCRIPTION	PART NUMBER	QUANTITY
1.	Wire Stop/Screw	2360	2
2.	Brake Cable Housing, 80"	B-CH	2
3.	Brake Cable	BC-105	2
4.	Long Black Nylon Ties	LG-N-TIE	6
5.	Cable Conduit Ferrule End Cap	80-0002-01	6
6.	3/16" Bolt	AN3-5A	4
7.	3/16" Thick Washer	AN960-10	8
8.	3/16" Shear Nut	AN364-1032A	4
9.	Loctite Blue	LOC-TITE	0
10.	Cam Bolt	2269-7	2
11.	Wire Swivel/Screw Stop	2361	2
12.	Brake Nut	2269-1	2
13.	Loc Washer	2269-2	2
14.	Cam Arm - LH	2269-3	1
15.	Assembly Plate - LH	2269-4	1
16.	Brake Pad	2269-5	4
17.	Spring	2269-6	4
18.	Cam Arm - RH	2269-8	1
19.	Assembly Plate - RH	2269-9	1



FORD S-4 & S-5 COYOTE WHEEL ASSEMBLY & INSTALLATION

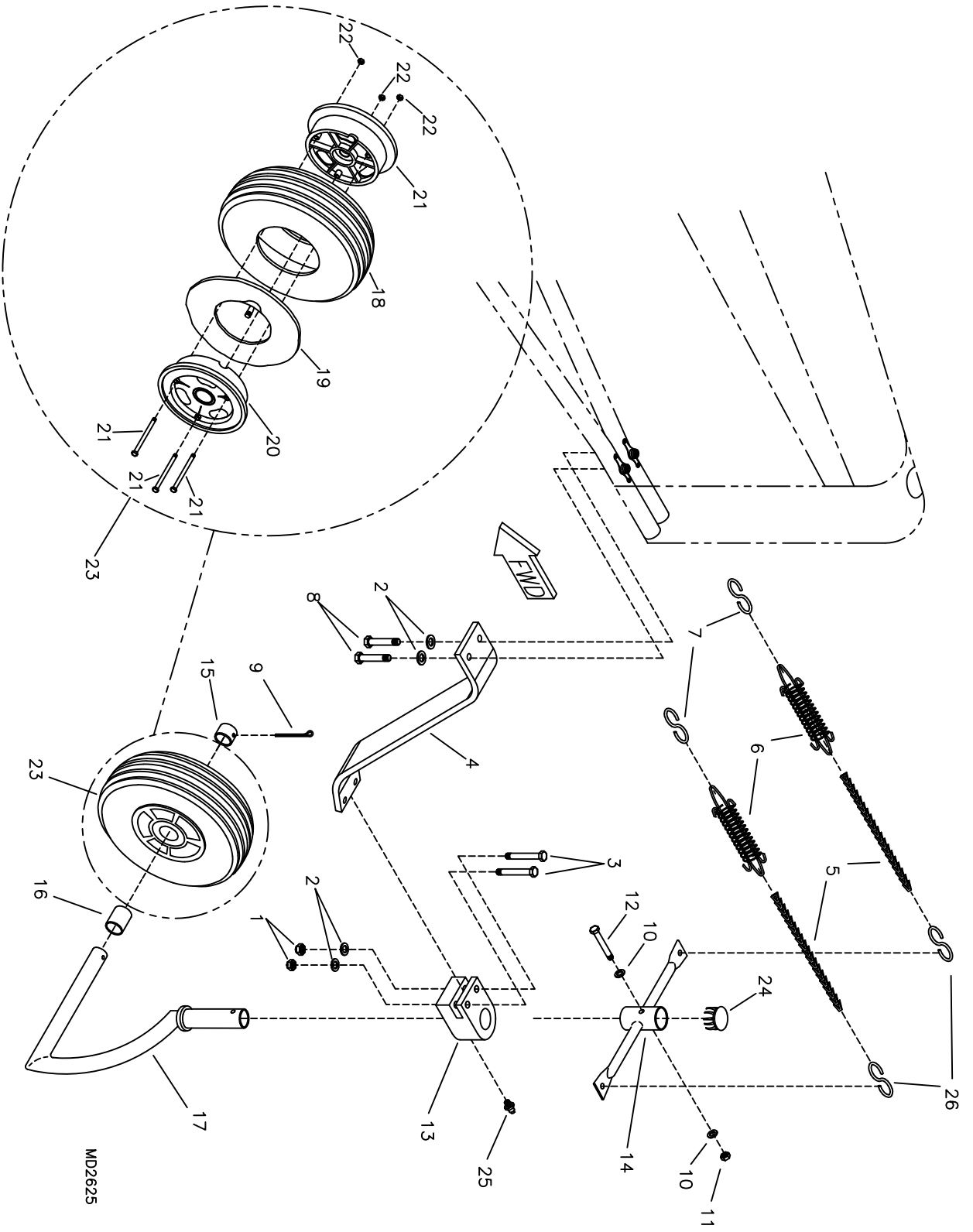
MD3089

S-4 & S-5 Coyote I - Wheel Assembly & Installation

#	DESCRIPTION	PART NUMBER	QUANTITY
1.	5/8" Loc Nut	5/8 LOC NUT	2
2.	5/8" Shim	5/8 SHIM	8
3.	Nut *	LG-MW-HUB-7	12
4.	Washer *	LG-MW-HUB-6	12
5.	Outside Rim **	LG-MW-RIM-2	2
6.	Seal Plate *	LG-MW-HUB-5	2
7.	Inside Rim **	LG-MW-RIM-1	2
8.	Valve Stem *	LG-MW-HUB-8	2
9.	O Ring *	LG-MW-HUB-4	4
10.	Socket Head Cap Screw, 1" *	LG-MW-HUB-2	6
11.	Wheel Hub *	LG-MW-HUB-3	2
12.	6" Hegar Main Gear Rim Kit	LG-MW-RIM	2
13.	6" Hegar Main Gear Hub Kit	LG-MW-HUB	2
14.	4 1/2" Brake Drum (LH/RH)	2211	2
15.	6" Tire (STD)	LG-T	2
16.	Socket Head Cap Screw, 1 3/4" *	LG-MW-HUB-1	6
17.	Axle	LG-WS	2
18.	3/16" Bolt	AN3-10A	2
19.	3/16" Thin Washer	AN960-10L	4
20.	3/16" Shear Nut	AN364-1032A	2

*Supplied with Main Gear Hub Kit.

**Supplied with Main Gear Rim Kit.



MD2625

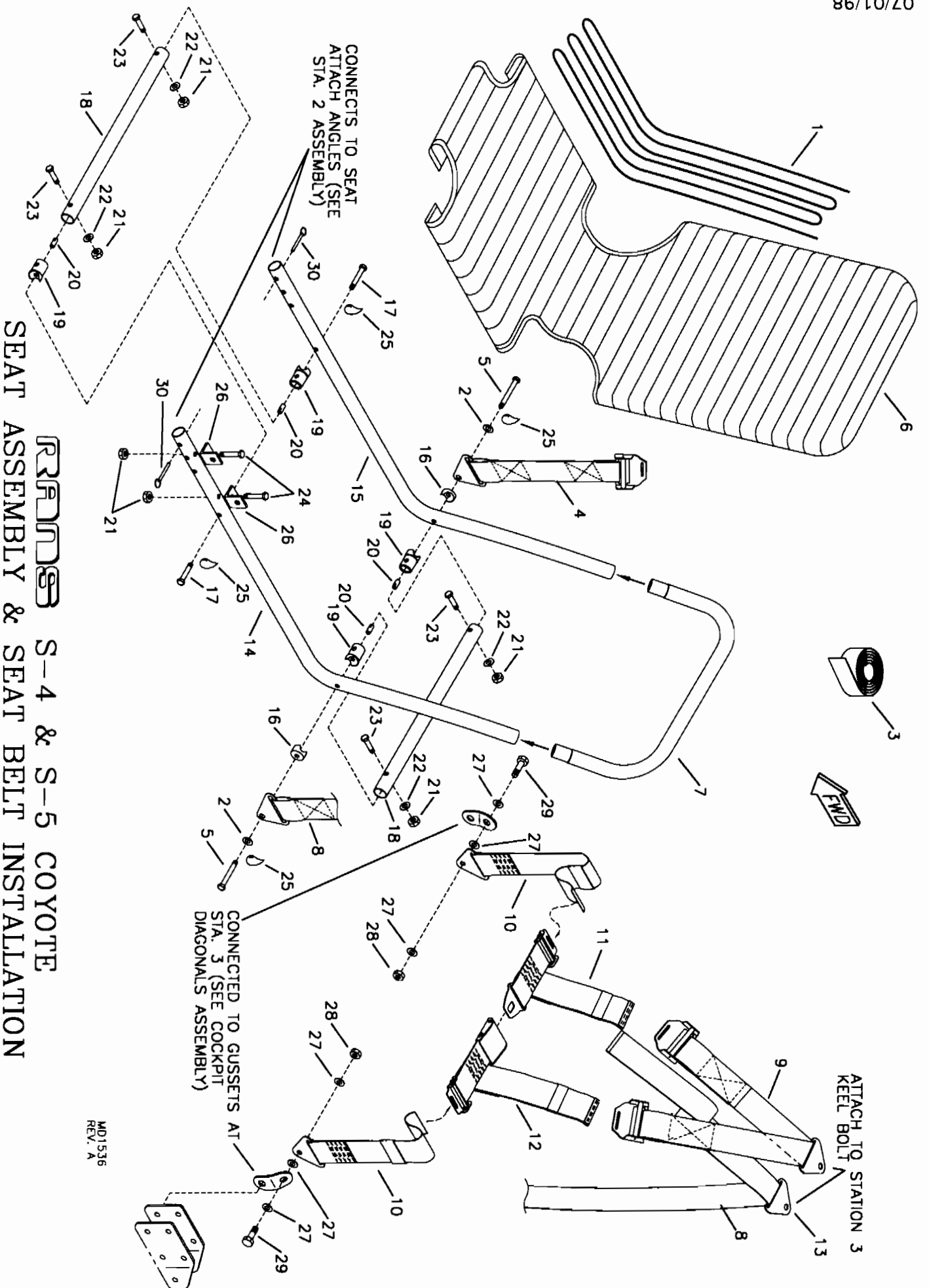
RRRND08 S-4 COYOTE TAILWHEEL ASSEMBLY

S-4 Coyote I - Tailwheel Assembly

#	DESCRIPTION	PART NUMBER	QUANTITY
1.	1/4" Shear Nut	AN364-428A	2
2.	1/4" Thick Washer	AN960-416	4
3.	1/4" Bolt	AN4-17A	2
4.	Tail Spring	TW-TS(4)	1
5.	Steer Chain	TW-C	2
6.	Return Spring	TW-S-SPR	2
7.	"S" Hook	TW-SHOOK	4
8.	1/4" Bolt	AN4-14A	2
9.	Large Cotter Pin	MS24665-285	1
10.	3/16" Thin Washer	AN960-10L	2
11.	3/16" Shear Nut	AN364-1032A	1
12.	3/16" Bolt	AN3-13A	1
13.	Tailwheel Swivel Block	TW-SS	1
14.	Steer Horn	TW-SH	1
15.	Short Wheel Spacer	TW-WSS	1
16.	Long Wheel Spacer	TW-WSL	1
17.	Tailwheel Fork	TW-F	1
18.	Tailwheel Tire *	KSTG0006	0
19.	Tire Tube *	KSTG0007	0
20.	4" Wheel *	KSTG0005	0
21.	Wheel Bolt *	KSAC0030	0
22.	Wheel Nut *	KSAC0031	0
23.	Tailwheel Kit	KSTG0004	1
24.	7/8" End Cap	CS-EC	1
25.	Grease Fitting **	MS5003-1	0

*Supplied with Tailwheel Kit.

**Pre-assembled in Swivel Block (TW-SS).



RRRMMSS S-4 & S-5 COYOTE SEAT ASSEMBLY & SEAT BELT INSTALLATION

MD1536
REV. A

S-4 / S-5

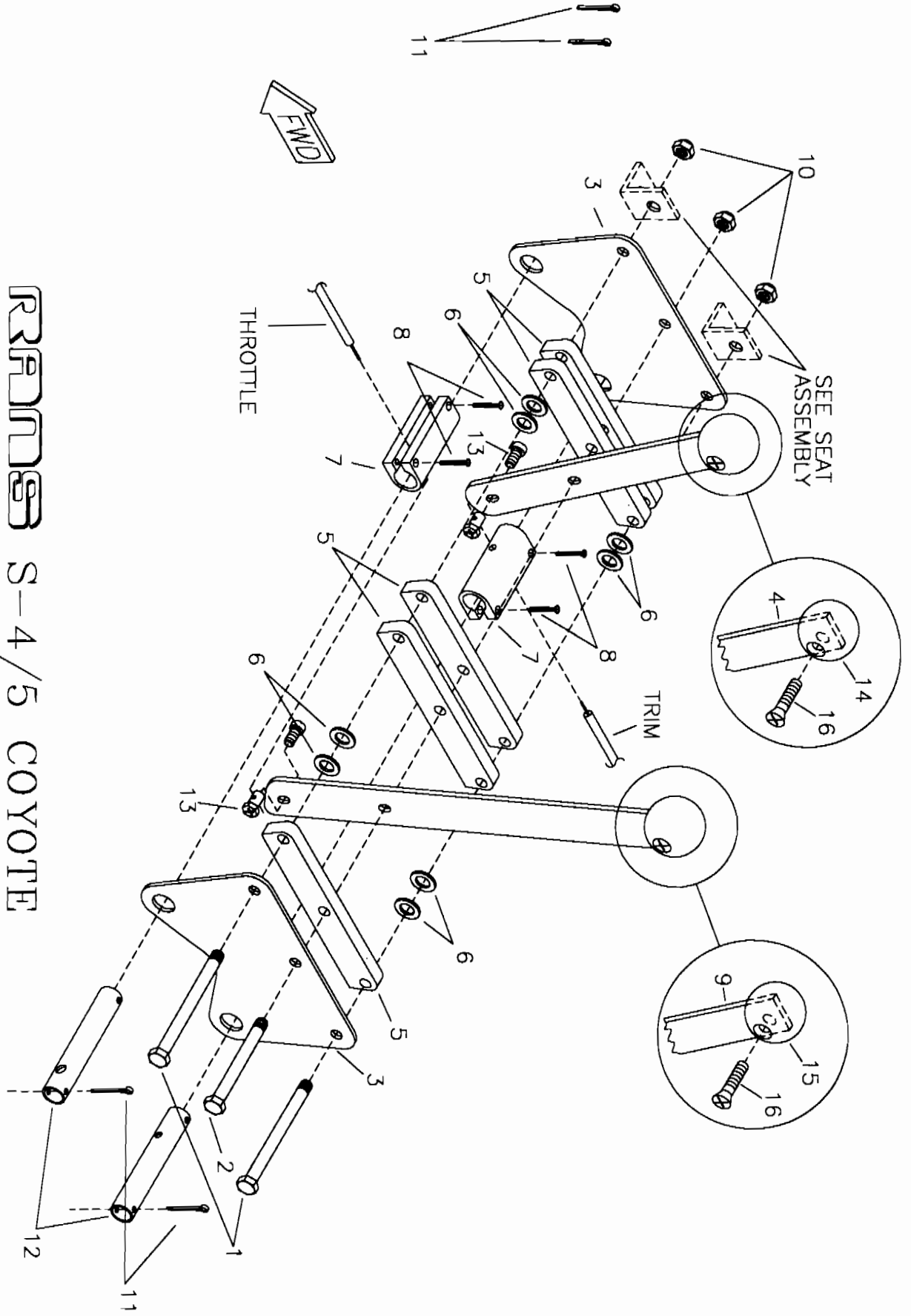
Coyote I - Seat Assembly & Seat Belt Installation

#	DESCRIPTION	PART NUMBER	QUANTITY
1.	Seat Rope Kit	ST-R	14 ft
2.	1/4" Thin Washer	AN960-416L	2
3.	Seat Belt Kit	KAST0014	1
4.	Hang Strap Adjustor End *	ST-HANG-ADJ	0
5.	1/4" Bolt	AN4-17A	2
6.	Seat Sling	ST-SLING(4/5)	1
7.	Seat Top Tube	ST-TOP	1
8.	Hang Strap *	ST-HANG	0
9.	Upper Shoulder Belt *	KAST0005	0
10.	Lap Belt *	KAST0004	0
11.	Lower Shoulder Belt - Buckle Side *	KAST0007	0
12.	Lower Shoulder Belt - Clip Side *	KAST0006	0
13.	Shoulder Strap Hang Plate	ST-HANG-PL(4/5)	0
14.	Seat Side Tube, LH	ST-SS-LH	1
15.	Seat Side Tube, RH	ST-SS-RH	1
16.	1" Saddle	1-NS	2
17.	1/4" Bolt	AN4-16A	2
18.	Seat Spreader Tube	ST-SPT	2
19.	1" Compression Tube Fitting	TC-1	4
20.	3/16" Insert Nut	I-NUT	4
21.	3/16" Shear Nut	AN364-1032A	6
22.	3/16" Thick Washer	AN960-10	4
23.	3/16" Bolt	AN3-13A	4
24.	3/16" Bolt	AN3-12A	2
25.	Loctite Blue	LOC-TITE	0
26.	Cowling Retainer	S1-CR	2
27.	1/4" Thick Washer	AN960-416	6
28.	1/4" Shear Nut	AN364-428A	2
29.	1/4" Bolt	AN4-5A	2
30.	3/16" Quick Pin	SSPIN 3/16X1.2	2

*Supplied in Seat Belt Kit.

RRP08 S-4/5 COYOTE THROTTLE QUAD ASSEMBLY

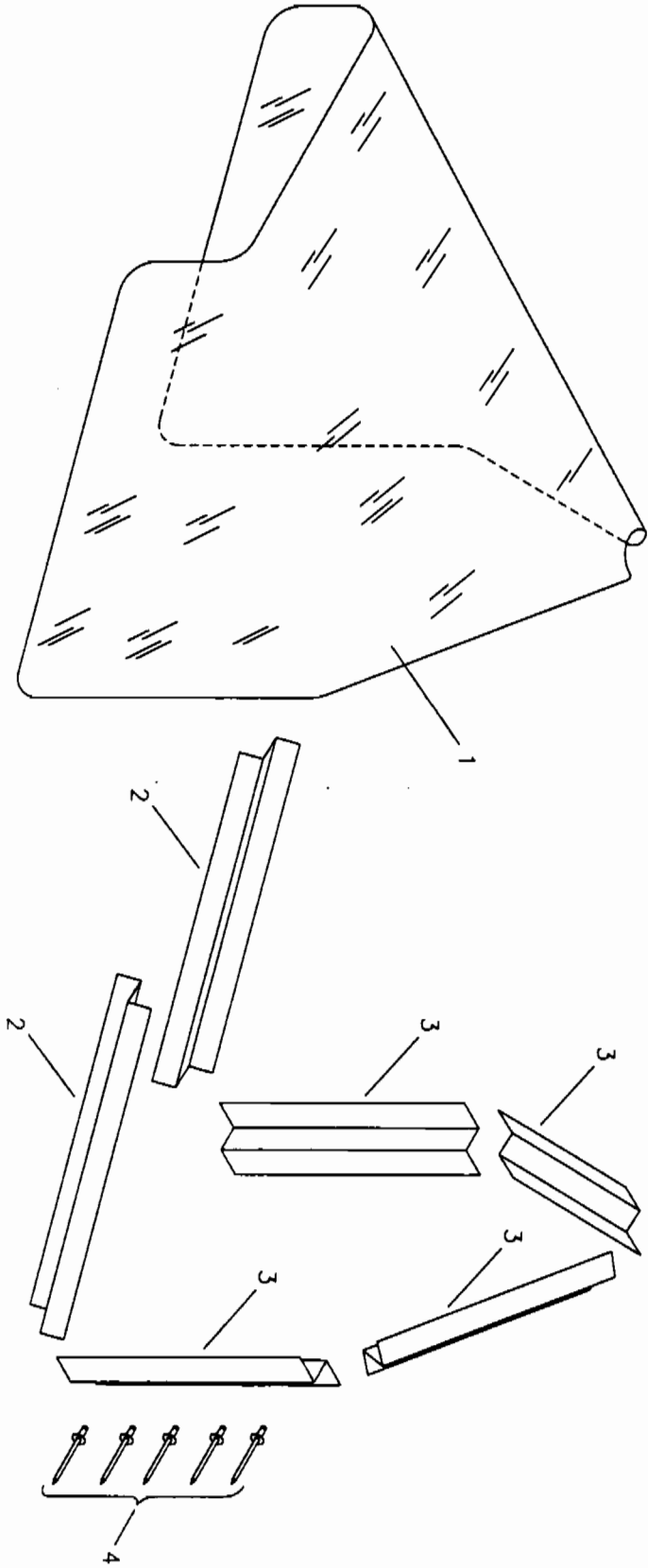
MD2988



Coyote I - Throttle Quad Assembly

#	DESCRIPTION	PART NUMBER	QUANTITY
1.	3/16" Bolt	AN3-21A	2
2.	3/16" Bolt	AN3-17A	1
3.	Throttle Quad Side Plate	KPCS0108	2
4.	Trim Lever	KPCS0229	1
5.	Spacer Blocks	KSCS0008	5
6.	3/16" Thick Washer	AN960-10	8
7.	Throttle Cable Housing Retainer *	KAAC0003-7	0
8.	Machine Bolt	MS35206-218	4
9.	Throttle Lever	KPCS0230	1
10.	3/16" Shear Nut	AN364-1032A	3
11.	Small Cotter Pin	MS24665-134	4
12.	Throttle Cable Stop Tubes, 3/8" x .035 x 2 1/8" *	KAAC0003-6	0
13.	Wire Swivel/Screw Stop	2361	2
14.	Trim Knob (Red)	KSCS0020	1
15.	Throttle Knob (Black)	KSCS0021	1
16.	10-32 X 5/8 Machine Screw	MS246935274	2

*Builder must fabricate from Raw Stock.



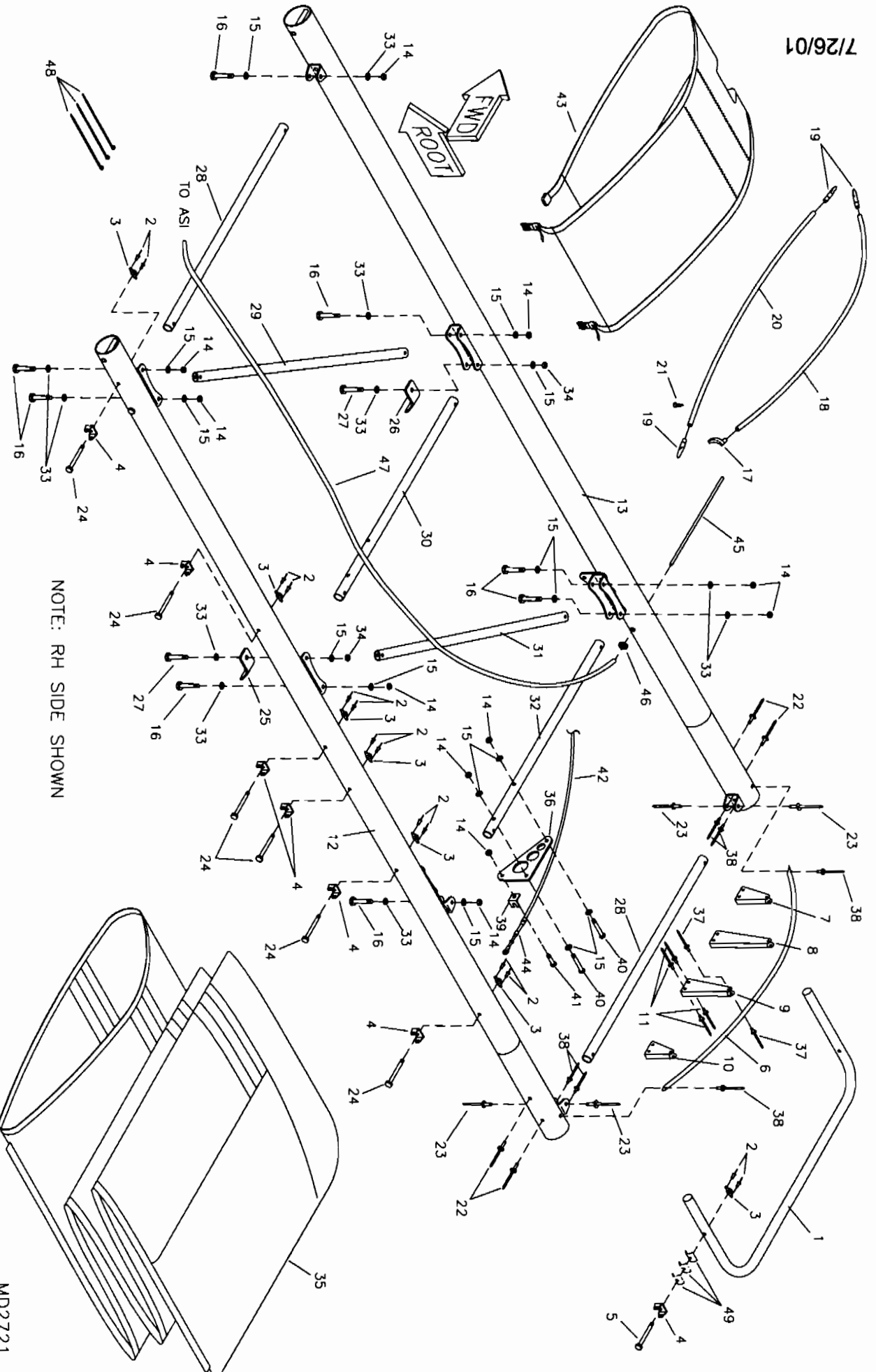
RRRMMSS S-4/5 COYOTE WINDSHIELD

MD2676

S-4 & S-5 Coyote I - Windshield

#	DESCRIPTION	PART NUMBER	QUANTITY
1.	Windshield (Clear)	WS-WS (C)	1
2.	Bottom "Z" Strip	W-BZ	2
3.	Top "Z" Strip	W-TZ	4
4.	1/8" Aluminum Pop Rivet - Cherry Q	AAPQ-42	32

7/26/01



NOTE: RH SIDE SHOWN

R**R****R****R****R****S**-4/5 COYOTE WING—MAIN STRUCTURE
AND COVERING

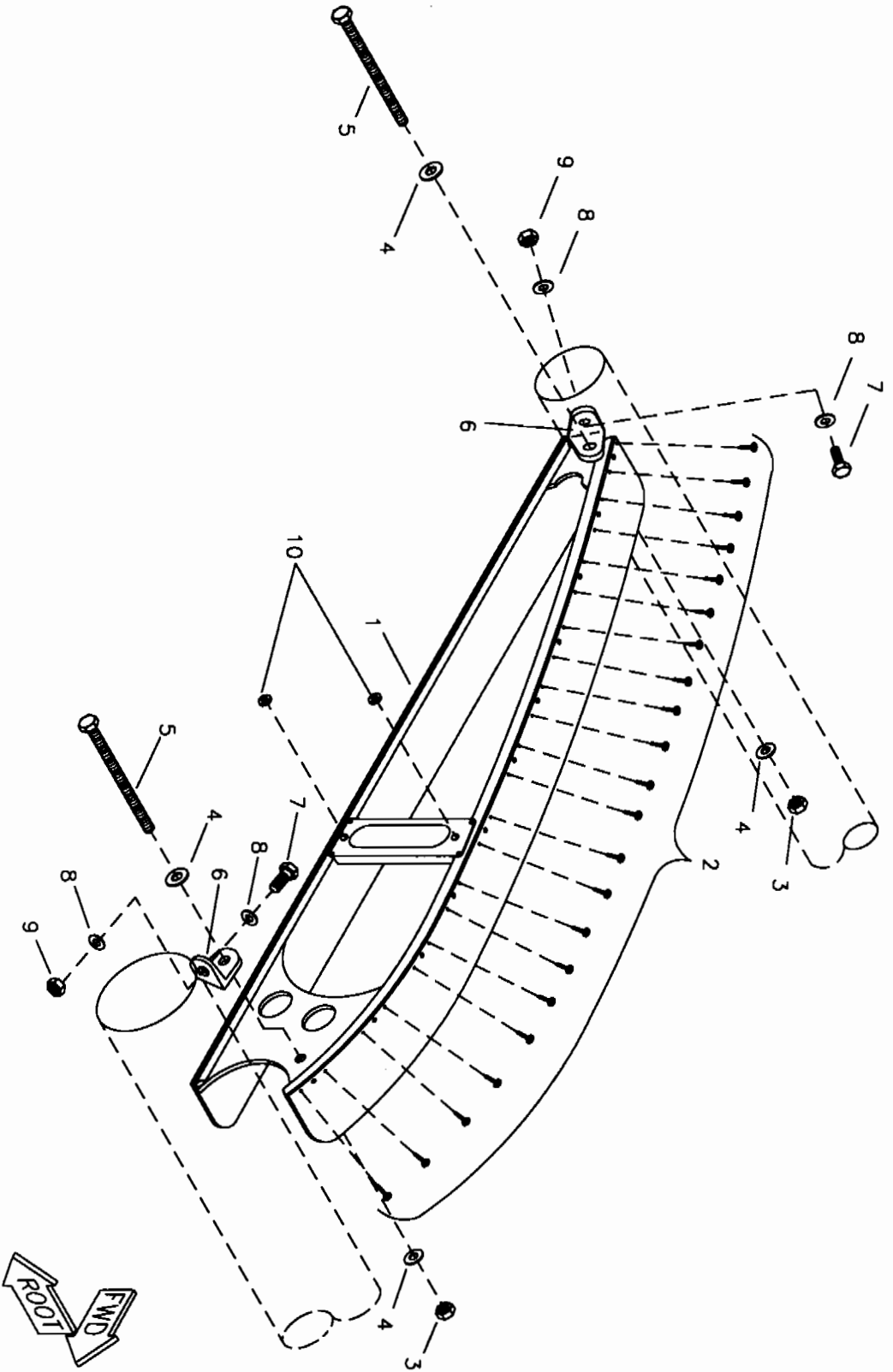
MD2721
REV. A

0011-1

#	DESCRIPTION	PART NUMBER	QUANTITY
1.	Wing Tip Bow	W-TIP-143	2
2.	3/32" Aluminum Pop Rivet	40APR1/8	28
3.	3/16" Nut Plate	K-1000-3	14
4.	Stainless Steel Hinge	W-HB	14
5.	3/16" Bolt	AN3-13A	2
6.	Upper Rib - Tension Rib	KPWI0242(4/5)	2
7.	Rib #1 - Tip Rib	KPWI0250	2
8.	Rib #2 - Tip Rib	KPWI0251	2
9.	Rib #3 - Tip Rib	KPWI0252	2
10.	Rib #4 - Tip Rib	KPWI0253	2
11.	1/8" Aluminum Pop Rivet - Cherry Q	AAPQ-42	32
12.	Trailing Edge Spar Assembly, RH	KAWI0014-R	1
12.	Trailing Edge Spar Assembly, LH	KAWI0014-L	1
13.	Leading Edge Spar Assembly, LH	KAWI0013-L	1
13.	Leading Edge Spar Assembly, RH	KAWI0013-R	1
14.	3/16" Shear Nut	AN364-1032A	22
15.	3/16" Thin Washer	AN960-10L	28
16.	3/16" Bolt	AN3-15A	16
17.	Contour Fitting	CON-2	14
18.	Top Rib	W-T-RIB-143	14
19.	Rib Tip	RIB-TIP	46
20.	Bottom Rib	W-BOT-RIB-143	16
21.	#4 Small Pan Head Screw	4X1/4 PHS	16
22.	3/16" Stainless Steel Pop Rivet - Cherry Q	CCPQ-62	8
23.	3/16" Stainless Steel Pop Rivet - Cherry Q	CCPQ-64	8
24.	3/16" Bolt	AN3-21A	12
25.	Jury Strut Attach Tang, AFT	S4/5 W-ASTAT	2
26.	Jury Strut Attach Tang, FWD	S4/5 W-FSTAT	2
27.	3/16" Bolt	AN3-16A	4
28.	Compression Tube	W-IO-143	4
29.	Drag Brace	KPWI0245(4/5)	2
30.	Compression Tube	KPWI0246(4/5)	2
31.	Drag Brace #1	W-DB-1-143	2
32.	Compression Tube	WC-M-143	2
33.	3/16" Thick Washer	AN960-10	20
34.	3/16" Tensile Nut	AN365-1032A	4
35.	Wing Cover, LH	WC-LH	1
35.	Wing Cover, RH	WC-RH	1
36.	Elevator Horn	TG-EH	2
37.	1/8" Aluminum Pop Rivet - Cherry Q	AAPQ-41	16
38.	1/8" Stainless Steel Pop Rivet - Cherry Q	CCPQ-44	12
39.	Teleflex Retainer	W-TEL-R	2
40.	3/16" Bolt	AN3-14A	4
41.	3/16" Bolt	AN3-4A	2
42.	Aileron Teleflex, 14'	W-A-TELFX-14	2
43.	Center Cover	KPCV0015	1
44.	Female Rod End	NF-3	2
45.	Pitot Tube	W-ASI-P	1
46.	Line Clamp, 3/8"	FS-LCL 3/8	1
47.	1/4" Blue Fuel Line	FS-FL	14 ft
48.	Long Black Nylon Ties	LG-N-TIE	3
49.	Shim *	KPAC0110	2

* As required.

7/24/01



NOTE: LH SIDE SHOWN

MD2784

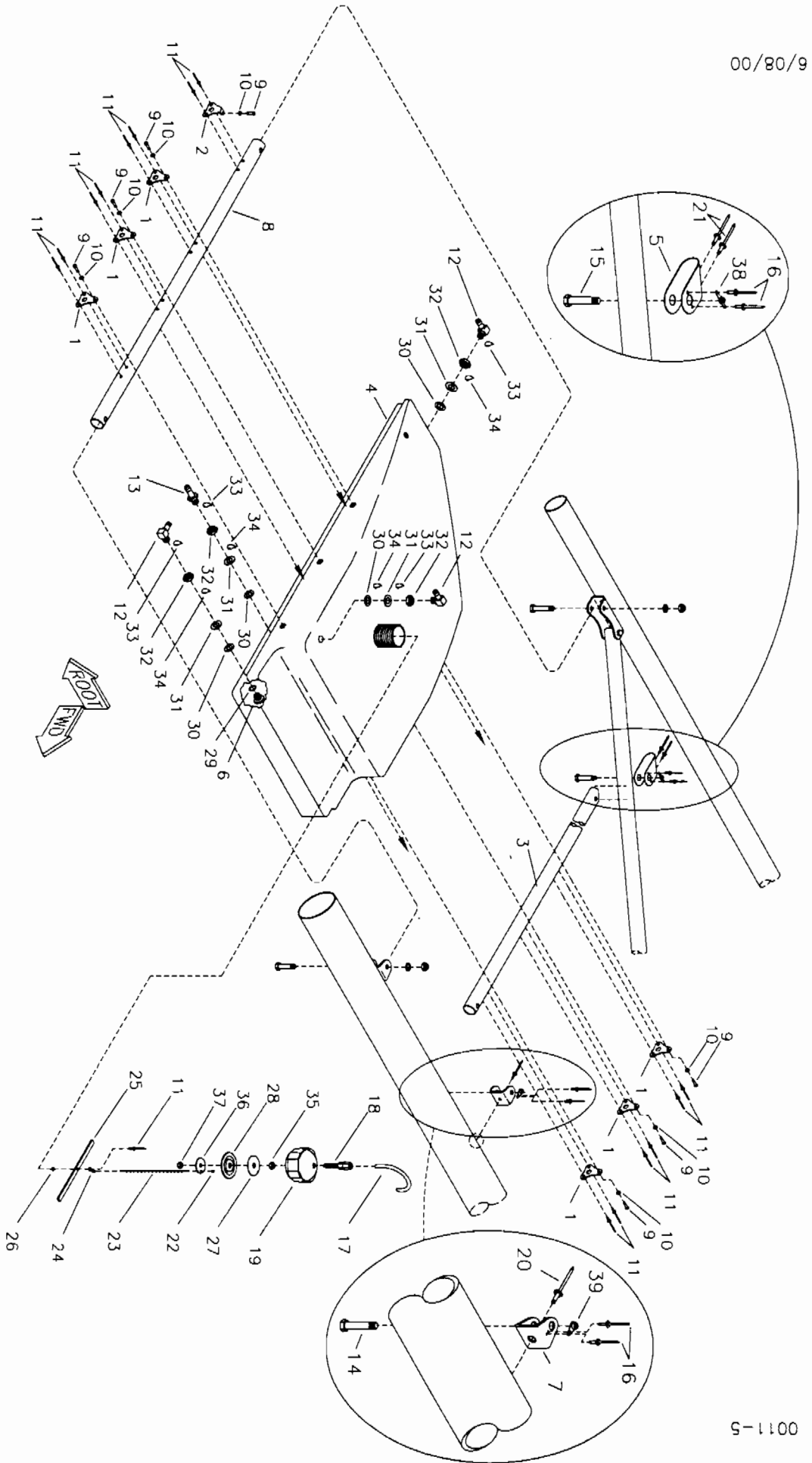
S-4/5 COYOTE ROOT RIB TENSIONING SYSTEM

S-4 Coyote I - Root Rib Tensioning System

#	DESCRIPTION	PART NUMBER	QUANTITY
1.	Root Rib - Wing, LH	KAWI0012-L	1
1.	Root Rib - Wing, RH	KAWI0012-R	1
2.	#8 Stainless Steel Pan Head Screw	8X1/2 PHS	84
3.	1/4" Tensile Nut	AN365-428A	4
4.	1/4" Thin Washer	AN960-416L	8
5.	1/4" Bolt *	KSHW0049	4
6.	"L" Bracket	KPWI0236	4
7.	3/16" Bolt	AN3-5A	4
8.	3/16" Thin Washer	AN960-10L	8
9.	3/16" Tensile Nut	AN365-1032A	4
10.	Grommet	MS35489-11	2

*This bolt is nearly threaded it's whole length.

RRRMM8 S-4/5 COYOTE SINGLE FUEL TANK MOUNT ASSEMBLY



MD2800

S-4 & S-5 Coyote I - Single Fuel Tank Mount Assembly

#	DESCRIPTION	PART NUMBER	QUANTITY
1.	Wing Tank-Mount Bracket	KPFS0007	6
2.	Wing Tank-AFT Mount Bracket, LH	KPFS0011-L	1
3.	Outer Tank Support	KPWI0244(4/5)	1
4.	Fuel Tank, LH	KPFS0005-L	1
5.	U Bracket	KPAC0055	1
6.	Tank Withdrawal Fitting	KPFS0017	4
7.	Attach Bracket	S2-SAB	1
8.	Compression Tube *	W-IO-143	0
9.	3/16" Bolt	AN3-3A	7
10.	3/16" Thick Washer	AN960-10	7
11.	1/8" Stainless Steel Pop Rivet - Cherry Q	CCPQ-44	15
12.	90 Withdrawal Fitting	8342	3
13.	Straight Withdrawal Fitting	8330	1
14.	3/16" Bolt	AN3-15A	1
15.	3/16" Bolt	AN3-14A	1
16.	3/32" Aluminum Pop Rivet	40APR1/8	4
17.	Vent Tube	KPFS0020	1
18.	Conduit Adjuster Assembly	KSFS0014	1
19.	Fuel Cap	KSFS0007	1
20.	3/16" Stainless Steel Pop Rivet - Cherry Q	CCPQ-64	1
21.	1/8" Stainless Steel Pop Rivet - Cherry Q	CCPQ-42	2
22.	Bead Chain - Retainer Sleeve/Detachable Sleeve	KSHW0014	1
23.	#3 Bead Chain	KSHW0012	7 in
24.	Bead Chain - End Coupling	KSHW0013	1
25.	Plastic Retainer	KPFS0012	1
26.	1/8" Small Brass Washer	AN960-B4	1
27.	Plastic Baffle ***	KSFS0012	0
28.	Rubber Gasket ***	KSFS0013	0
29.	O-Ring	KSFS0009	4
30.	Rubber Washer	KSFS0010	4
31.	1/2" Thick Washer	AN960-816	4
32.	Nut-Flared Tube Bulkhead	AN924-5D	4
33.	Thread Sealant **	KSAC0014	0
34.	Loctite Blue	LOC-TITE	0
35.	1/4" Plain Nut	AN345-416	1
36.	1/4" Large Washer	AN970-4	1
37.	1/4" Shear Nut	AN364-428C	1
38.	3/16" Nut Plate	K-1000-3	1
39.	3/16" Single Ear Nut Plate	MS21051-L3	1

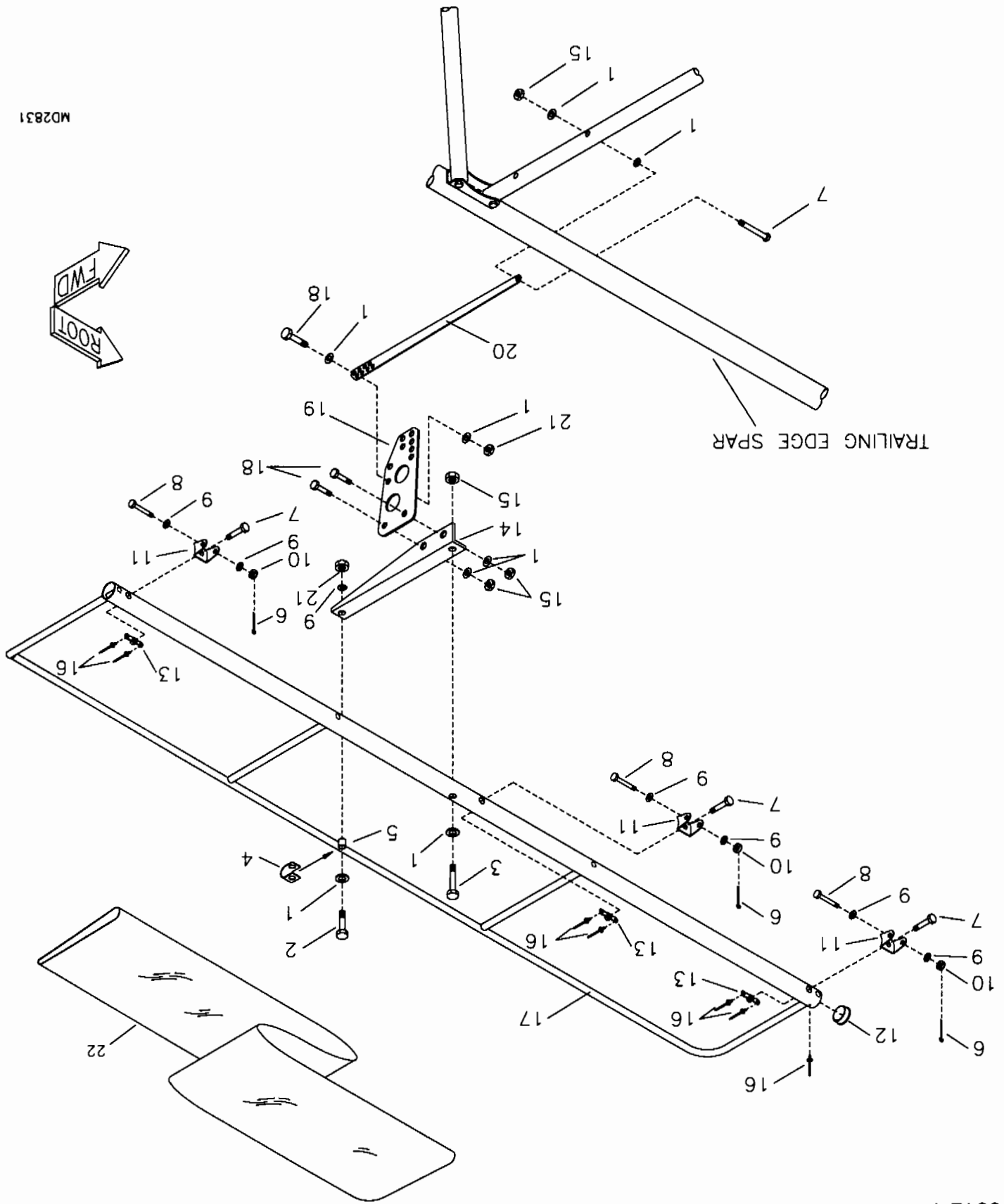
*Referenced from wing tank assembly.

**Thread Sealant (builder provides) is recommended but Loctite Blue can also be used.

***Supplied with Fuel Cap.

RPM S-4/5 COYOTE GROUND ADJUSTABLE FLAP SYSTEM

9/11/97



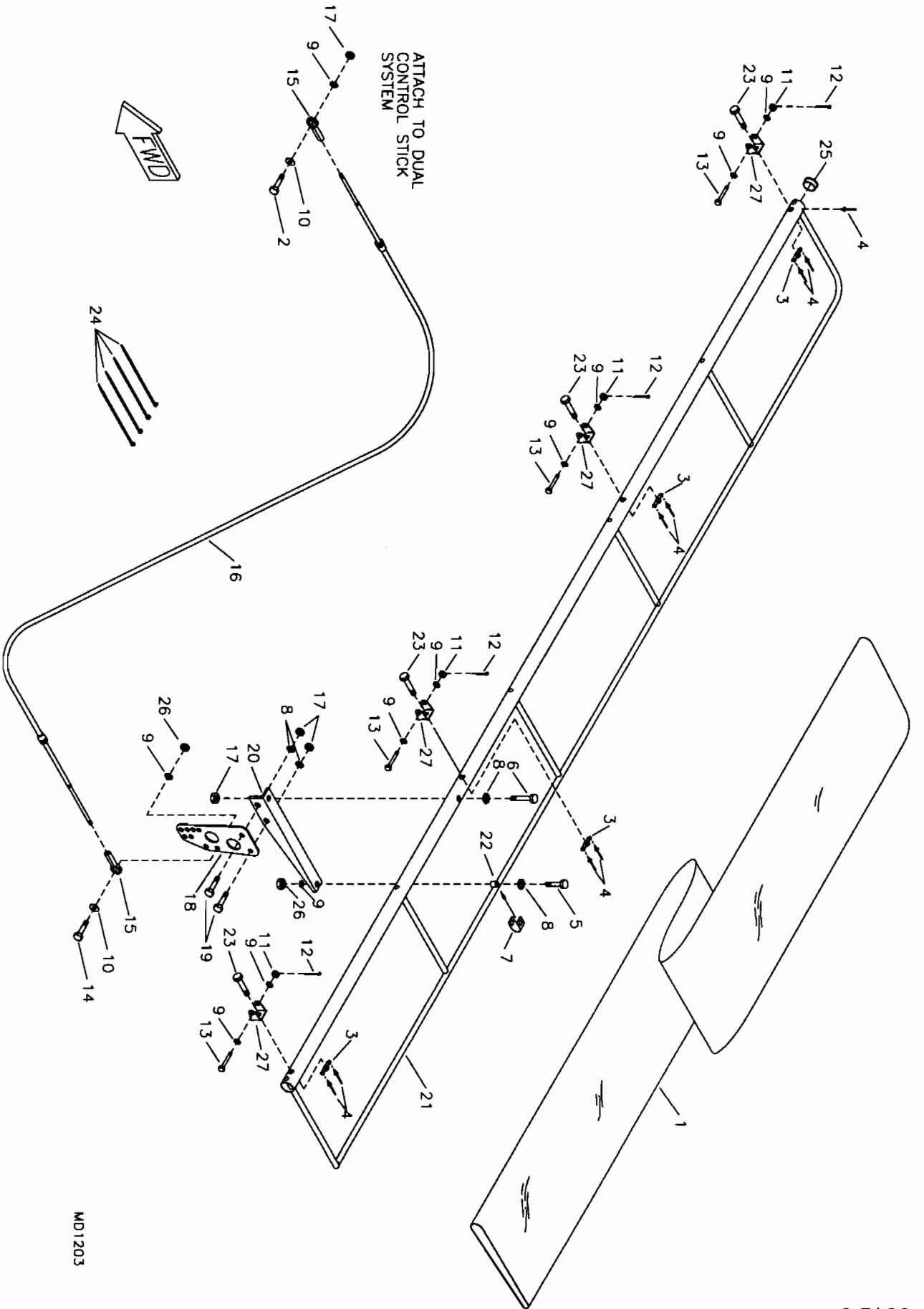
MD2831

0012-1

S-4 & S-5 Coyote I - Ground Adjustable Flap System

#	DESCRIPTION	PART NUMBER	QUANTITY
1.	3/16" Thin Washer (-8 Opt In-Flight)	AN960-10L	16
2.	3/16" Bolt	AN3-10A	2
3.	3/16" Bolt	AN3-14A	2
4.	Aileron Clip	W-A-CLIP	2
5.	Aluminum Bushing, 1/4" x .028 x 1/2" *	KAAC0003-1	0
6.	Small Cotter Pin	MS24665-134	6
7.	3/16" Bolt (-2 Opt In-Flight)	AN3-13A	8
8.	3/16" Bolt	AN3-15	6
9.	3/16" Thick Washer	AN960-10	14
10.	3/16" Castle Nut	AN310-3	6
11.	Stainless Steel Hinge	W-HB	6
12.	1" End Cap	1 CAP	2
13.	3/16" Nut Plate	K-1000-3	6
14.	Aileron/Flap Horn Attach Angle, LH	S6-W-AHAA-L	1
14.	Aileron/Flap Horn Attach Angle, RH	S6-W-AHAA-R	1
15.	3/16" Shear Nut (-2 Opt In-Flight)	AN364-1032A	8
16.	3/32" Aluminum Pop Rivet	40APR1/8	14
17.	Flap Frame	S4/5-W-FF-143	2
18.	3/16" Bolt (-2 Opt In-Flight)	AN3-4A	4
19.	Flap Horn	UNI-HORN	2
20.	Fixed Flap Mount	KPFL0015	2
21.	3/16" Shear Acorn Nut (-2 Opt In-Flight)	22NKM02	4
22.	Flap Skin, LH	W-FS-L	1
22.	Flap Skin, RH	W-FS-R	1

*Builder must fabricate from Raw Stock, refer to text for instructions.



RRRND8 S-4/5 COYOTE
AILERON 143 ASSEMBLY

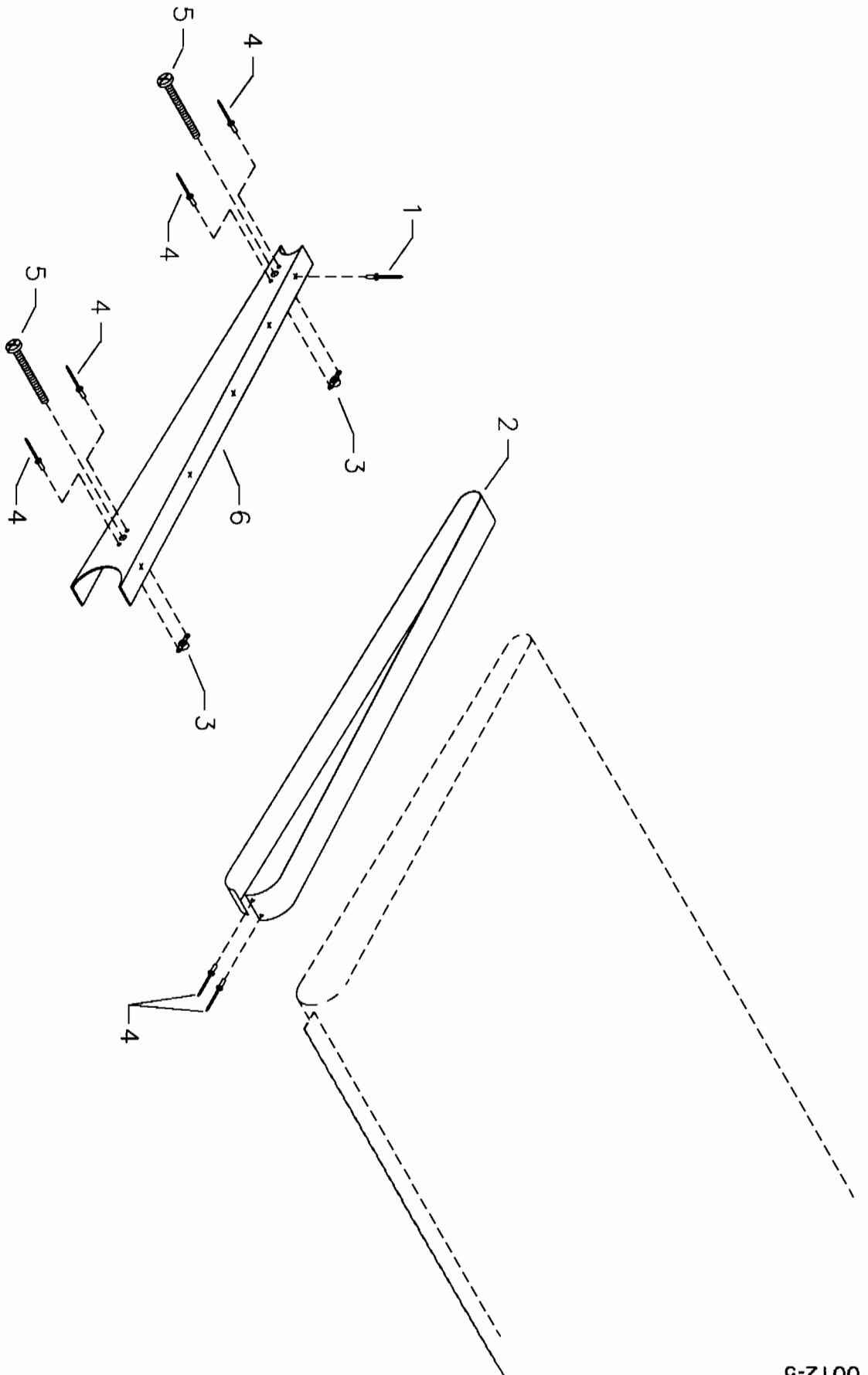
MD1203

S-4 & S-5 Coyote I - Aileron Assembly

#	DESCRIPTION	PART NUMBER	QUANTITY
1.	Aileron Covering	W-AS-LH	1
1.	Aileron Covering	W-AS-RH	1
2.	3/16" Bolt	AN3-6A	2
3.	3/16" Nut Plate	K-1000-3	8
4.	3/32" Aluminum Pop Rivet	40APR1/8	18
5.	3/16" Bolt	AN3-10A	2
6.	3/16" Bolt	AN3-14A	2
7.	Aileron Clip	W-A-CLIP	2
8.	3/16" Thin Washer	AN960-10L	8
9.	3/16" Thick Washer	AN960-10	22
10.	3/16" Plastic Washer	PW-3	4
11.	3/16" Castle Nut	AN310-3	8
12.	Small Cotter Pin	MS24665-134	8
13.	3/16" Bolt	AN3-15	8
14.	3/16" Bolt	AN3-7A	2
15.	Female Rod End	NF-3	4
16.	Aileron Teleflex, 14' **	W-A-TELFX-14	0
17.	3/16" Shear Nut	AN364-1032A	8
18.	Aileron Horn	UNI-HORN	2
19.	3/16" Bolt	AN3-4A	4
20.	Aileron/Flap Horn Attach Angle, LH	S6-W-AHAA-L	1
20.	Aileron/Flap Horn Attach Angle, RH	S6-W-AHAA-R	1
21.	Aileron Frame	S4/5-W-AF-143	2
22.	Aluminum Bushing, 1/4" x .028 x 1/2" *	KAAC0003-1	0
23.	3/16" Bolt	AN3-13A	8
24.	Short Black Nylon Ties	N-TIES	4
25.	1" End Cap	1 CAP	2
26.	3/16" Shear Acorn Nut	22NKM02	4
27.	Stainless Steel Hinge	W-HB	8

*Builder must fabricate from Raw Stock.

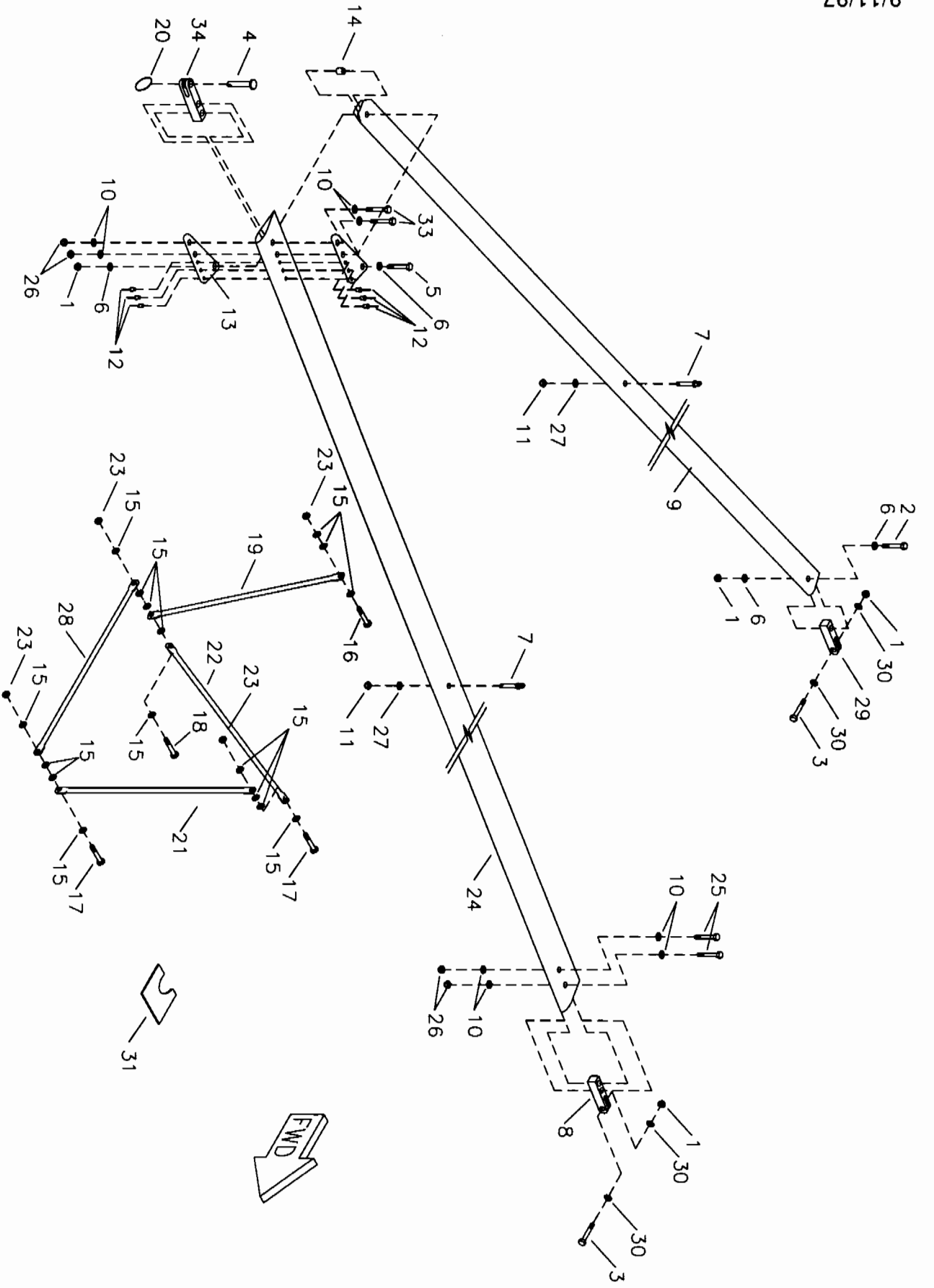
**Referenced, see Wing Assembly.



RRRMMSS S-4/5 COYOTE
 AILERON AND FLAP TENSION RIB

S-4 Coyote I - Aileron & Flap Tension Rib

#	DESCRIPTION	PART NUMBER	QUANTITY
1.	1/8" Aluminum Pop Rivet - Cherry Q	AAPQ-42	40
2.	Aluminum Strip, 5/8" X .020 X 18"	AF-TRS	4
3.	3/16" Nut Plate	K-1000-3	8
4.	3/32" Aluminum Pop Rivet	40APR1/8	24
5.	Aileron Flap Tension Screw	10/32 X 2 1/2SSPAN	8
6.	Aileron Flap Tension Rib	AF-TR	4



S-4/5 COYOTE
AIRFOIL LIFT STRUTS

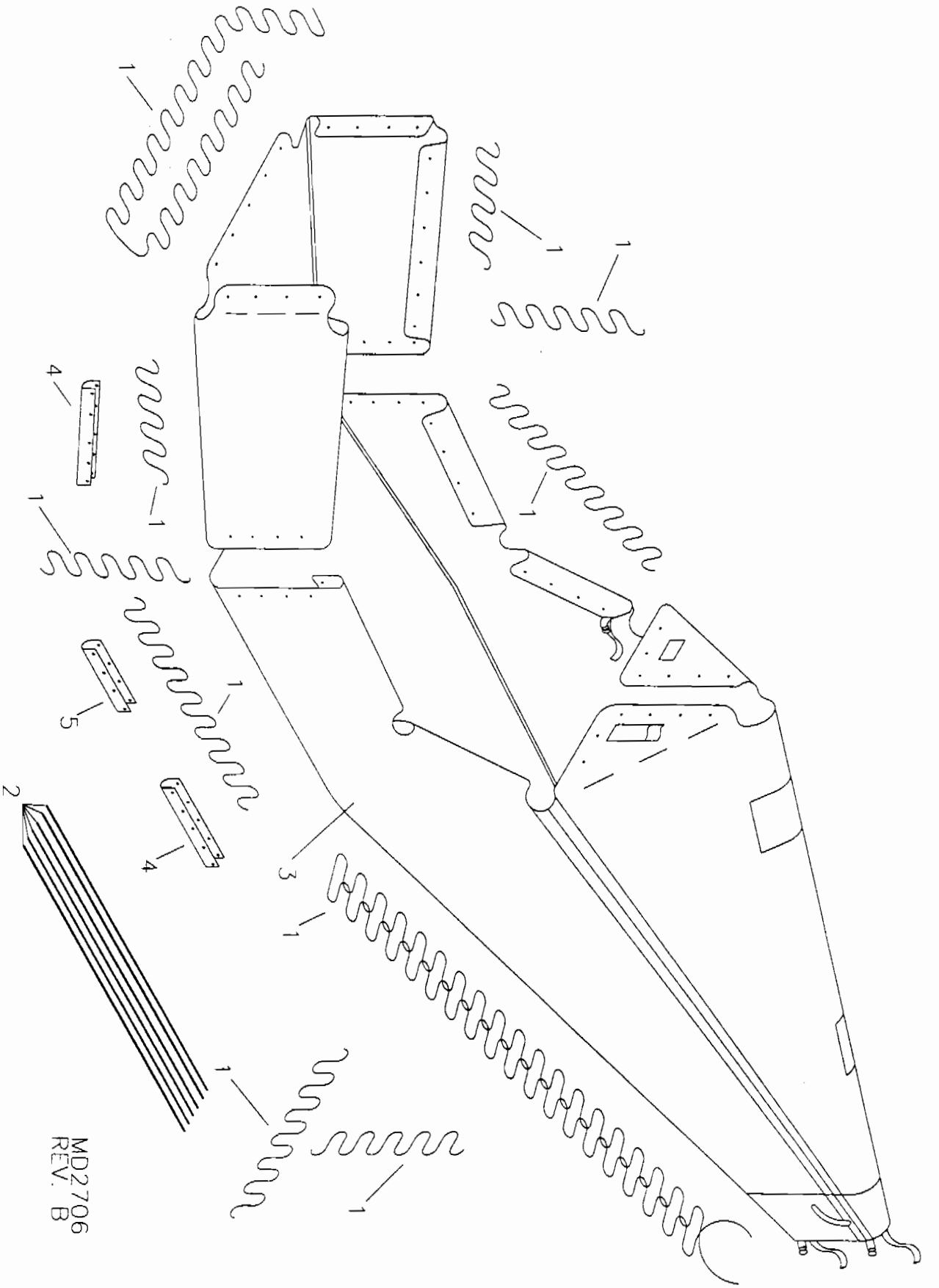
MD1204

S-4 Coyote I - Airfoil Lift Struts

#	DESCRIPTION	PART NUMBER	QUANTITY
1.	5/16" Shear Nut	AN364-524A	8
2.	5/16" Bolt	AN5-13A	2
3.	5/16" Bolt	AN5-12A	4
4.	5/16" Clevis Pin	MS20392-4C33	2
5.	5/16" Bolt	AN5-15A	2
6.	5/16" Thin Washer	AN960-516L	8
7.	1/4" Eyebolt	AN43B-14A	4
8.	Lift Strut Connector	LS-ACU	2
9.	AFT Lift Strut, 105"	KPWI0071	2
10.	1/4" Thin Washer	AN960-416L	16
11.	1/4" Tensile Acorn Nut	42NKE-048	4
12.	3/16" Stainless Steel Pop Rivet - Cherry Q	CCPQ-64	12
13.	AFT Lift Strut Gusset	W-ALS-G	4
14.	Anti-Crush Bushing	W-ANTI-CB	2
15.	3/16" Thick Washer	AN960-10	32
16.	3/16" Bolt	AN3-6A	2
17.	3/16" Bolt	AN3-10A	4
18.	3/16" Bolt	AN3-12A	2
19.	Jury Strut	KPJS0001	2
20.	Loc Ring	RL 27 1/4	2
21.	Jury Strut	KPJS0002	2
22.	Jury Strut	KPJS0003	2
23.	3/16" Shear Nut	AN364-1032A	8
24.	FWD Lift Strut, 101 1/2"	KPWI0070	2
25.	1/4" Bolt	AN4-13A	4
26.	1/4" Shear Acorn Nut	52NKTE-048	8
27.	1/4" Thick Washer	AN960-416	4
28.	Jury Strut	KPJS0004	2
29.	AFT Upper Lift Strut Connector	LS-ACU-2	2
30.	5/16" Thick Washer	AN960-516	8
31.	Small Lift Strut Chord Template *	KPLS0004	1
32.	Universal Shim **	UNV-SHIM	1
33.	1/4" Bolt	AN4-15A	4
34.	Lift Strut Connector	KPLS0002	2

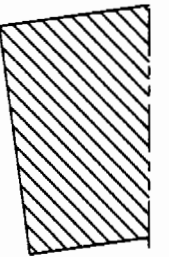
*This template is used to make hole locations.

**Builder must modify.



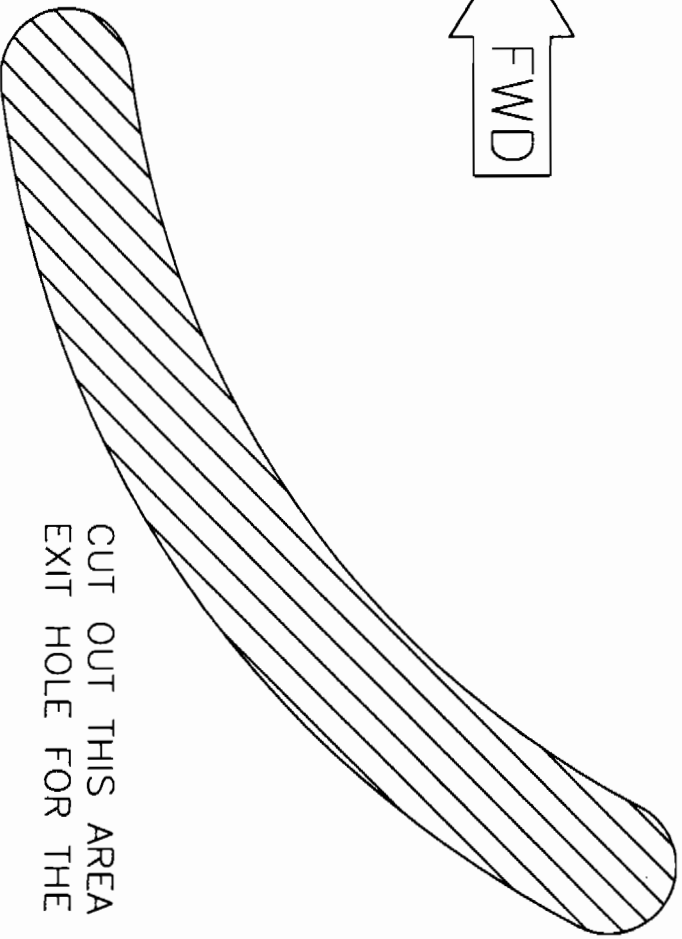
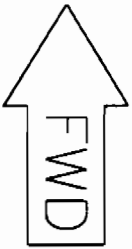
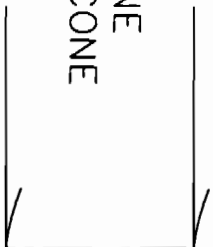
MD2706
REV. B

RRRNDSS S-4 & S-5 COYOTE FUSELAGE COVER



CUT OUT THIS AREA TO FIT
OVER THE HORIZONTAL
STABILIZER ATTACH BRACKET

POSITION THIS LINE
WITH EDGE OF TAILCONE



CUT OUT THIS AREA FOR LOCATING
EXIT HOLE FOR THE ELEVATOR YOKE

MD2742

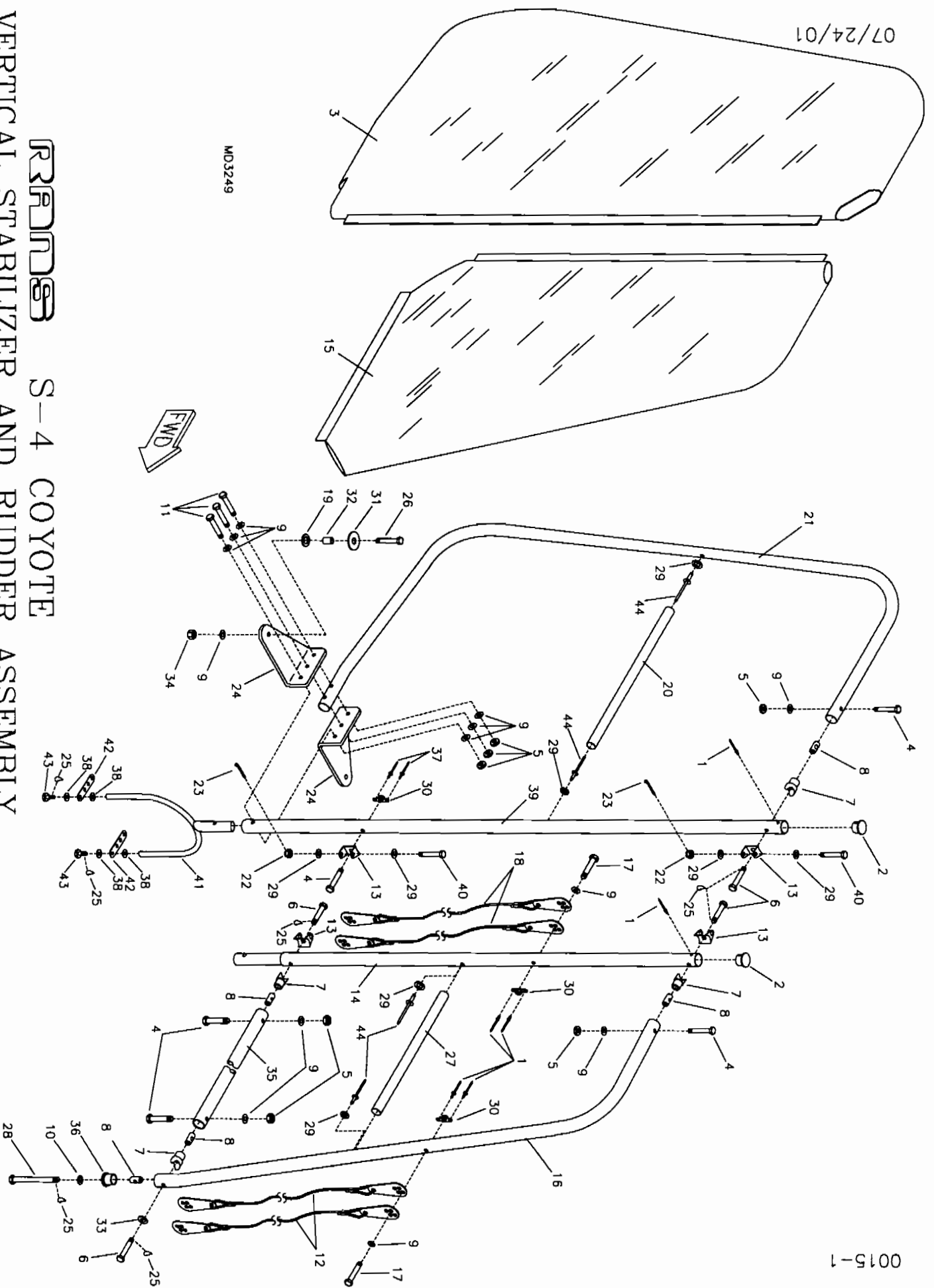
S-4 & S-5 Coyote I - Fuselage Cover

#	DESCRIPTION	PART NUMBER	QUANTITY
1.	Seat Rope Kit	ST-R	123 ft
2.	1/16" Lacing Wires	TG-LW-1/16	5
3.	Fuselage Cover	KPCV0013	1
4.	Lace Up Strip, 13"	FC-13LS	4
5.	Lace Up Strip, 10"	FC-10LS	2

07/24/01

MD3249

REDON S-4 COYOTE VERTICAL STABILIZER AND RUDDER ASSEMBLY



Coyote I - Vertical Stabilizer & Rudder Assembly

#	DESCRIPTION	PART NUMBER	QUANTITY
1.	3/32" Aluminum Pop Rivet	40APR1/8	6
2.	1" End Cap	1 CAP	2
3.	Rudder Skin	TG-RSKIN	1
4.	3/16" Bolt	AN3-13A	5
5.	3/16" Shear Nut	AN364-1032A	7
6.	1/4" Bolt	AN4-15A	4
7.	1" Compression Tube Fitting	TC-1	4
8.	Insert Nut	I-NUT	5
9.	3/16" Thin Washer	AN960-10L	14
10.	1/4" Thick Washer	AN960-416	1
11.	3/16" Bolt	AN3-15A	3
12.	Top Forward Cable	TG-TFC	2
13.	Stainless Steel Hinge	W-HB	4
14.	Vertical Stabilizer Spar	TG-VSS	1
15.	Vertical Stabilizer Skin	TG-VS	1
16.	Vertical Stabilizer Leading Edge	TG-VSLE	1
17.	3/16" Bolt	AN3-14A	2
18.	Top AFT Cable	TG-TAC(4/5)	2
19.	1/4" Plastic Washer	PW-4	2
20.	Rudder Internal Brace, 1/2" x .035 x X *	KAAC0003-8	0
21.	Rudder Trailing Edge Tube	TG-RTE	1
22.	3/16" Castle Nut	AN310-3	2
23.	Small Cotter Pin	MS24665-134	2
24.	Rudder Horn, LH	KPRD0047-L	1
24.	Rudder Horn, RH	KPRD0047-R	1
25.	Loctite Blue	LOC-TITE	0
26.	3/16" Bolt	AN3-7A	2
27.	Vert Stabilizer Internal Brace, 1/2" x .035 x X *	KAAC0003-8	0
28.	1/4" Bolt	AN4-24A	1
29.	3/16" Thick Washer	AN960-10	8
30.	3/16" Nut Plate	K-1000-3	3
31.	3/16" Large Washer	AN970-3	2
32.	Aluminum Bushing, 1/4" x .028 x 3/8" *	KAAC0003-1	0
33.	1/4" Thin Washer	AN960-416L	1
34.	3/16" Tensile Nut	AN365-1032A	2
35.	Vertical Stabilizer Spreader Tube	TG-VSST	1
36.	1" End Cap, Drilled	TG-1" CAPD	1
37.	3/32" Aluminum Pop Rivet	40APR1/4	2
38.	3/16" Plastic Washer	PW-3	4
39.	Rudder Spar	TG-RS	1
40.	3/16" Bolt	AN3-15	2

*Builder must fabricate from Raw Stock.

**Builder modifies by drilling.

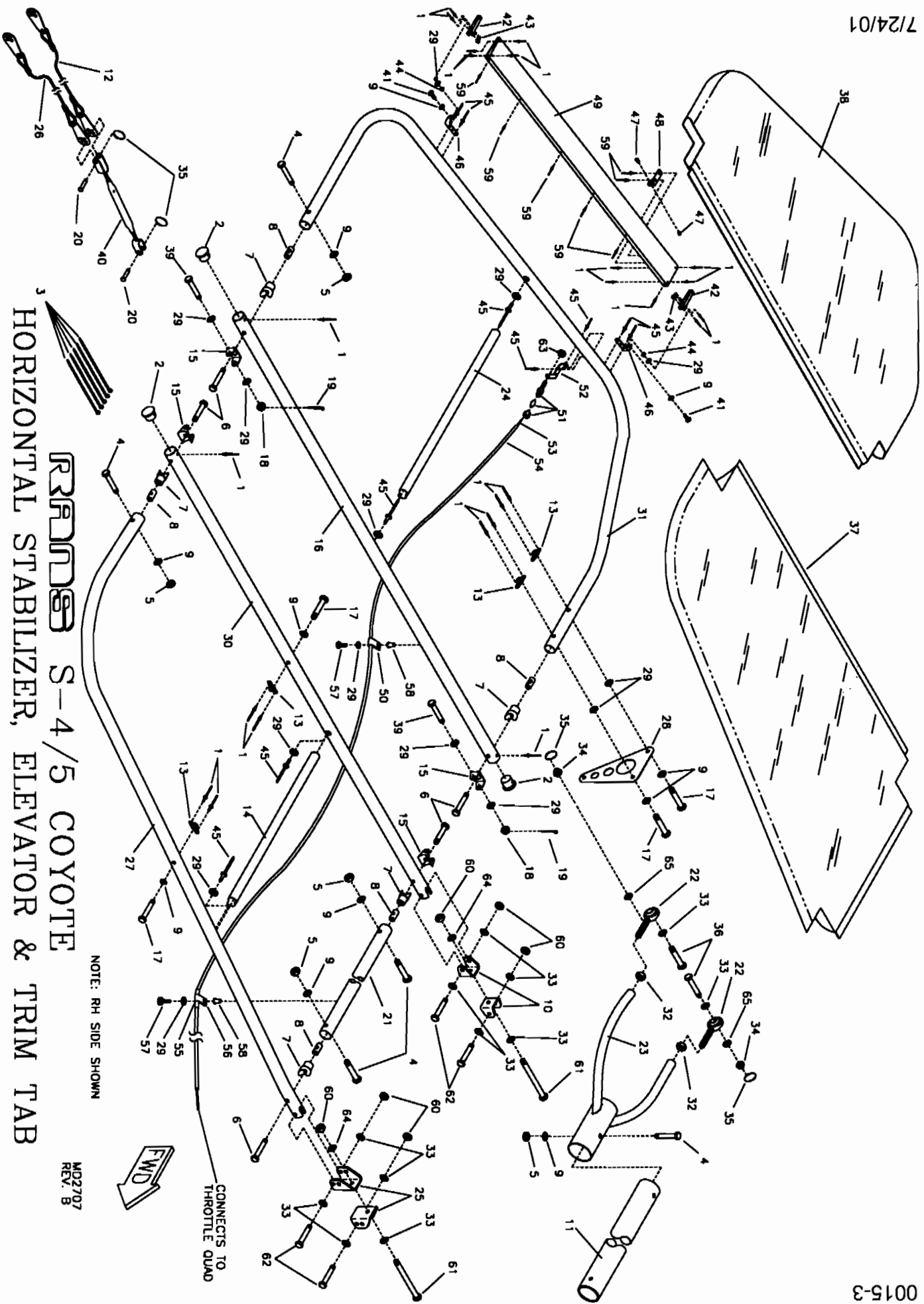
S-4 Coyote I - Vertical Stabilizer & Rudder Assembly (Continued)

#	DESCRIPTION	PART NUMBER	QUANTITY
41.	Steer Horn	KPRD0046	1
42.	Adjustable Tang **	ST-16	2
43.	3/16" Bolt	AN3-5A	2
44.	3/16" Aluminum Pop Rivet - Cherry Q	AAPQ-62	4

*Builder must fabricate from Raw Stock.

**Builder must modify.

***Builder modifies by drilling.



RRRND S-4/5 COYOTE
HORIZONTAL STABILIZER, ELEVATOR & TRIM TAB

NOTE: RH SIDE SHOWN

MO2707
 REV. B



CONNECTS TO
 THROTTLE QUAD

Coyote I - Horizontal Stabilizer, Elevator & Trim

#	DESCRIPTION	PART NUMBER	QUANTITY
1.	3/32" Aluminum Pop Rivet	40APR1/8	35
2.	1" End Cap	1 CAP	6
3.	Short Black Nylon Ties	N-TIES	5
4.	3/16" Bolt	AN3-13A	9
5.	3/16" Shear Nut	AN364-1032A	9
6.	1/4" Bolt	AN4-15A	10
7.	1" Compression Tube Fitting	TC-1	10
8.	Insert Nut	I-NUT	10
9.	3/16" Thin Washer	AN960-10L	19
10.	Horizontal Stabilizer AFT Attach Bracket	S2-SAB	2
11.	1" Elevator Push Pull Tube	TG-1" EPPT	1
12.	Lower AFT Cable	TG-LAC	2
13.	3/16" Nut Plate	K-1000-3	8
14.	Horiz Stab Internal Brace, 1/2" x .035 x X **	KAAC0003-8	0
15.	Stainless Steel Hinge	W-HB	8
16.	Elevator Spar	TG-ESPAR	2
17.	3/16" Bolt	AN3-14A	8
18.	3/16" Castle Nut	AN310-3	4
19.	Small Cotter Pin	MS24665-134	4
20.	3/16" Clevis Pin *	MS20392-2C17	0
21.	Horizontal Stabilizer Spreader Tube	TG-HSST	2
22.	Male Rod End	NM-4	2
23.	Elevator Yoke	TG-EY(4/5)	1
24.	Elevator Internal Brace, 1/2" x .035 x X **	KAAC0003-8	0
25.	Horizontal Stabilizer Attach Bracket	KPHS0026	2
26.	Lower FWD Cable	TG-LFC	2
27.	Horizontal Stabilizer Leading Edge	TG-HSLE	2
28.	Elevator Horn	TG-EH	2
29.	3/16" Thick Washer	AN960-10	24
30.	Horizontal Stabilizer Spar	TG-HSS	2
31.	Elevator Trailing Edge	TG-ETE	2
32.	1/4" Plain Nut	AN345-416	2
33.	1/4" Thin Washer	AN960-416L	12
34.	1/4" Castle Nut	AN310-4	2
35.	Loc Ring	RL 27 1/4	6
36.	1/4" Bolt	AN4-7	2
37.	Horizontal Stabilizer Skin	TG-HSSKIN	2
38.	Elevator Skin	TG-ES(4/5)	2
39.	3/16" Bolt	AN3-15	4
40.	Turnbuckle	RL-335-AT	2
41.	3/16" Truss Head Bolt	AN526-C1032R12	2
42.	Trim Tab End Rib	KPTR0007	2
43.	3/16" Single Ear Nut Plate	MS21051-L3	2
44.	Aluminum Bushing, 1/4" x .028 x 1/16" **	KAAC0003-1	0
45.	3/16" Aluminum Pop Rivet - Cherry Q	AAPQ-62	14

*Supplied with turnbuckle.

**Builder must fabricate from Raw Stock.

Coyote I - Horizontal Stabilizer, Elevator & Trim

#	DESCRIPTION	PART NUMBER	QUANTITY
46.	Trim Tab Hinge	ST-16-BENT	2
47.	Wire Swivel/Screw Stop	2361	1
48.	Trim Tab Horn	KPTR0008	1
49.	Trim Tab	KPTR0009	1
50.	Cushioned Tube Clamp	MS21919WDG3	1
51.	Conduit Adjuster Assembly	KSFS0014	1
52.	Cable Housing Stop Bracket	KPTR0005	1
53.	Trim Push Wire	TR-PW	22 ft
54.	Trim Cable Housing	KSAC0008	22 ft
55.	Aluminum Bushing, 3/8" x .058 x 2" **	KAAC0003-3	0
56.	Cushioned Tube Clamp	MS21919WDG6	1
57.	3/16" Bolt	AN3-3A	2
58.	3/16" Rivet Nut	MS27130-A25K	2
59.	1/8" Aluminum Pop Rivet - Cherry Q	AAPQ-41	7
60.	1/4" Shear Nut	AN364-428A	6
61.	1/4" Bolt	AN4-26A	2
62.	1/4" Bolt	AN4-15A	4
63.	1/4" Plain Nut	AN345-416	1
64.	1/4" Thick Washer	AN960-416	2
65.	1/4" Plastic Washer	PW-4	2

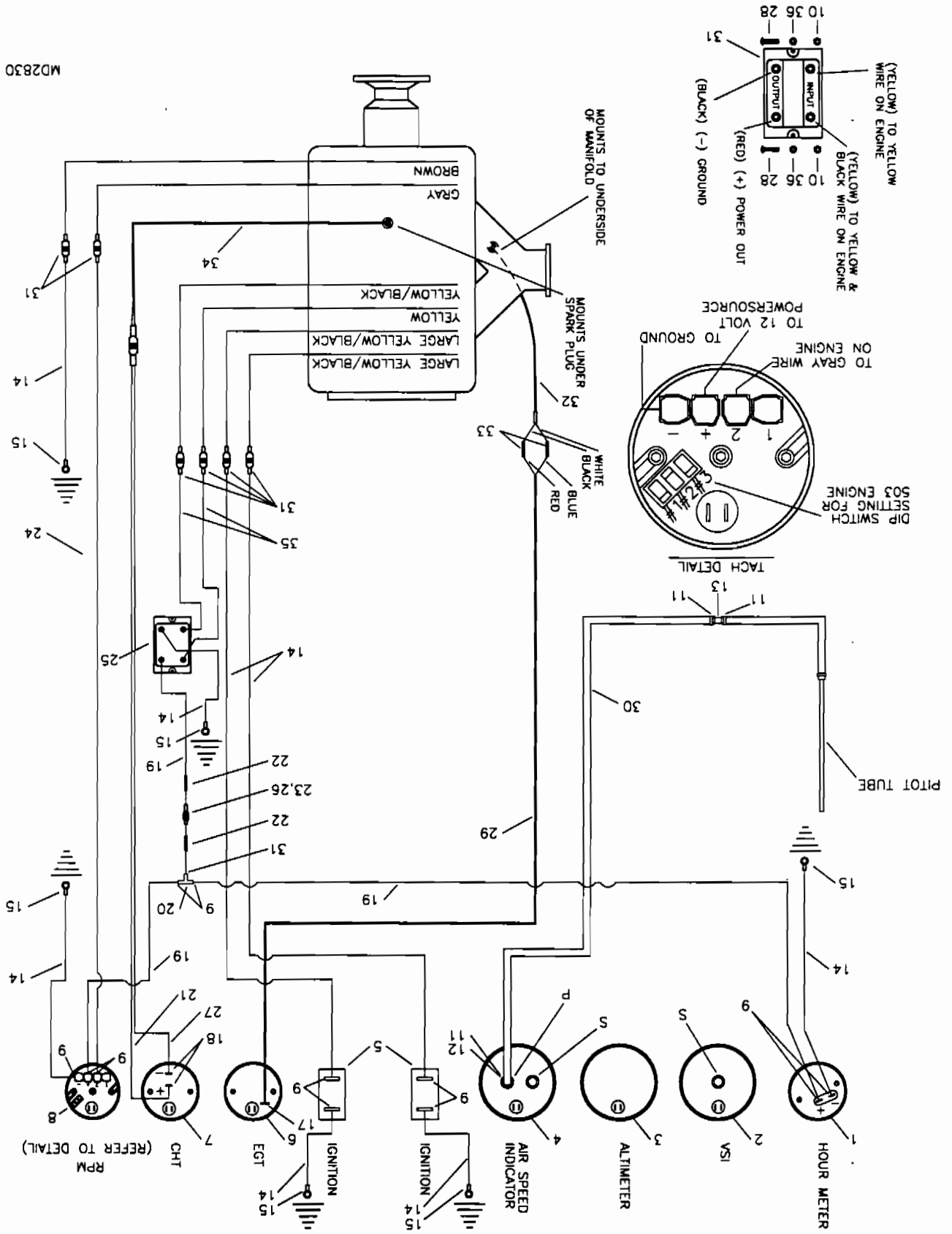
*Supplied with turnbuckle.

**Builder must fabricate from Raw Stock.

RPM S-4 & S-5 COYOTE 503 INSTRUMENTS AND ELECTRICAL WITHOUT ELECTRIC START

05/11/98

MD2830



S-4 & S-5 Coyote I - 503 Instruments & Electrical - Without Electric Starter

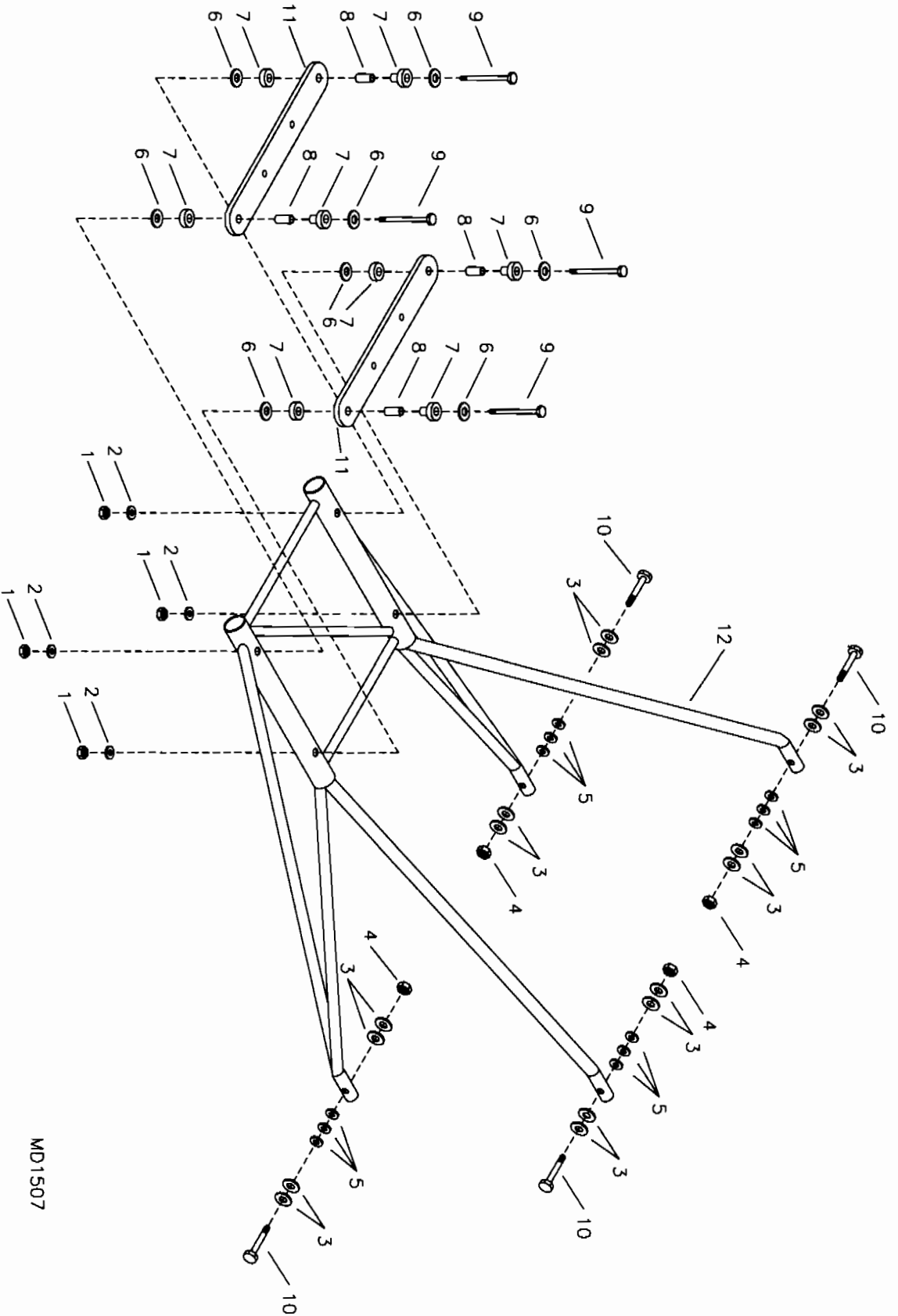
NOTE: Gauges may vary, consult directions provided with gauge for wiring diagram.

#	DESCRIPTION	PART NUMBER	QUANTITY
1.	Hour Meter	KSPW0022	1
2.	Vertical Speed Indicator - Feet Per Minute *	KSAV0008	1
2.	Vertical Speed Indicator - Meters Per Second *	KSAV0009	1
3.	Altimeter *	KSAV0001	1
3.	Altimeter with Window *	KSAV0002	1
3.	Altimeter with Millibar, Metric *	KSAV0003	1
4.	Air Speed Indicator, 0-120	KSAV0004	1
5.	Ignition Switch	MS35058-22	2
6.	Exhaust Gas Temperature Gauge *	KSPW0008	1
7.	Cylinder Head Temperature Gauge *	KSPW0010	1
8.	RPM Gauge	KSPW0028	1
9.	14 Gauge Female Spade Terminal, Blue	IP-7128	11
10.	3/16" Shear Nut	AN364-1032A	2
11.	Line Clamp, 3/8"	FS-LCL 3/8	3
12.	Straight Withdrawal Fitting	8330	1
13.	Straight 1/4" Barb Fitting	KSHW0048	1
14.	14 Gauge Black Wire	14 GA WIRE/BLACK	20 ft
15.	14 Gauge Eye Terminal, Blue 3/16"	IP-7102	6
16.	Female Bullet Terminal	02-09-1103	2
17.	EGT End Plug **	KSPW0008-1	0
18.	Female Terminal ***	KSPW0010-1	0
19.	14 Gauge Red Wire	14 GA WIRE/RED	14 ft
20.	Terminal Y Connector, Brass	IP-YC	1
21.	CHT Wire, Red ***	KSPW0010-2	0
22.	14 Gauge Splice, Butt Connector	IP-7132	2
23.	25 AMP Fuse	KSES0020-25	1
24.	14 Gauge White Wire	14 GA WIRE/WHITE	6 ft
25.	Regulator/Rectifier	KSES0005	1
26.	14 Gauge, In Line Fuse Holder	KSES0019	1
27.	CHT Wire, Black ***	KSPW0010-4	0
28.	Pan Head Phillips Bolt (10-32)	KSHW0006	2
29.	EGT Wires **	KSPW0008-2	0
30.	1/4" Blue Fuel Line/Pitot/Static Line	FS-FL	12 ft
31.	14 Gauge Male Spade Terminal, Blue	IP-7126	7
32.	EGT Probe **	KSPW0008-3	0
33.	Shrink Wrap	KSAC0009	1 ft
34.	CHT Probe ***	KSPW0010-3	0
35.	14 Gauge Yellow Wire	14 GA WIRE/YELLOW	6 ft
36.	3/16" Large Washer	AN970-3	2

*Optional Gauge.

**Supplied with EGT.

***Supplied with CHT.

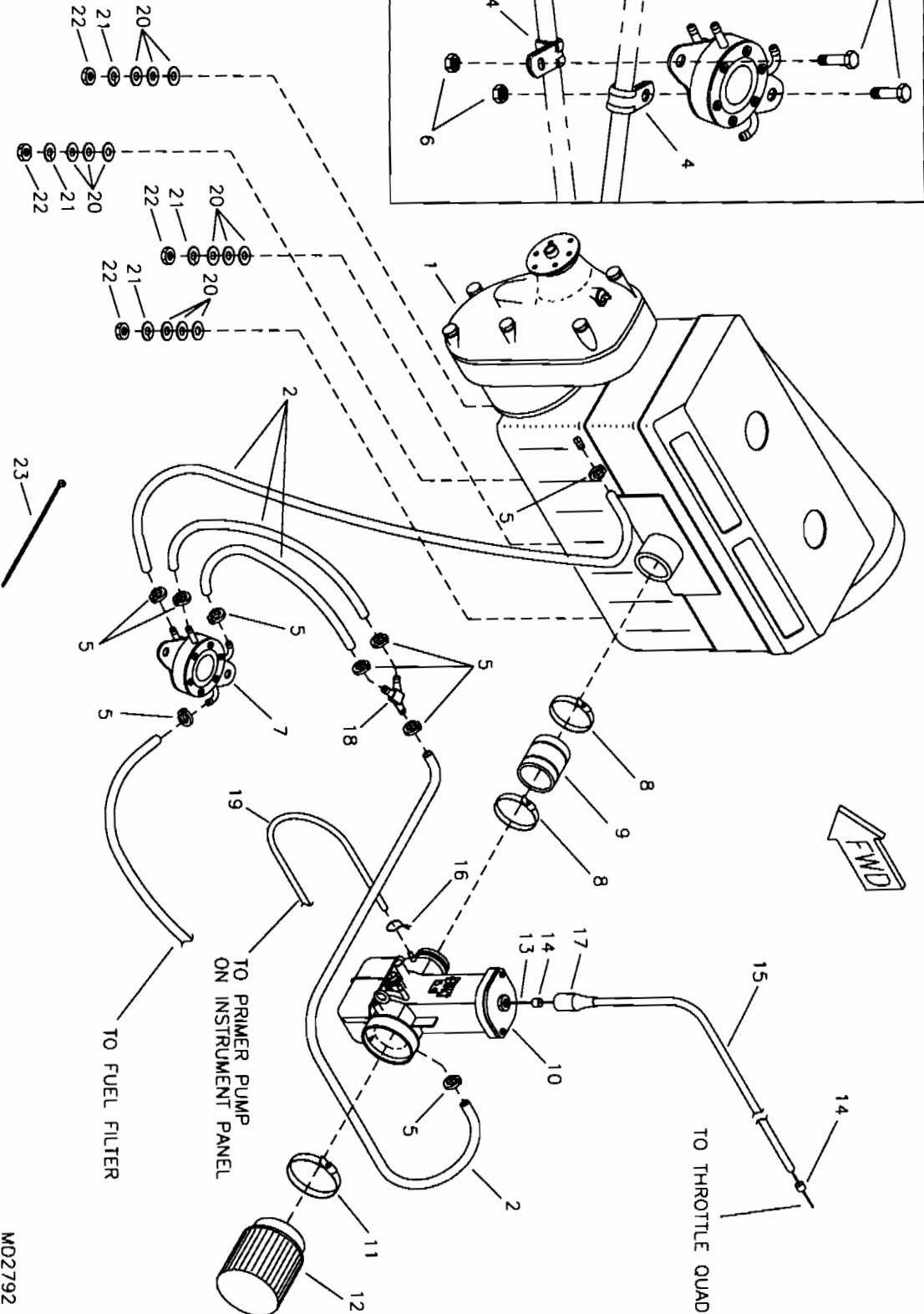
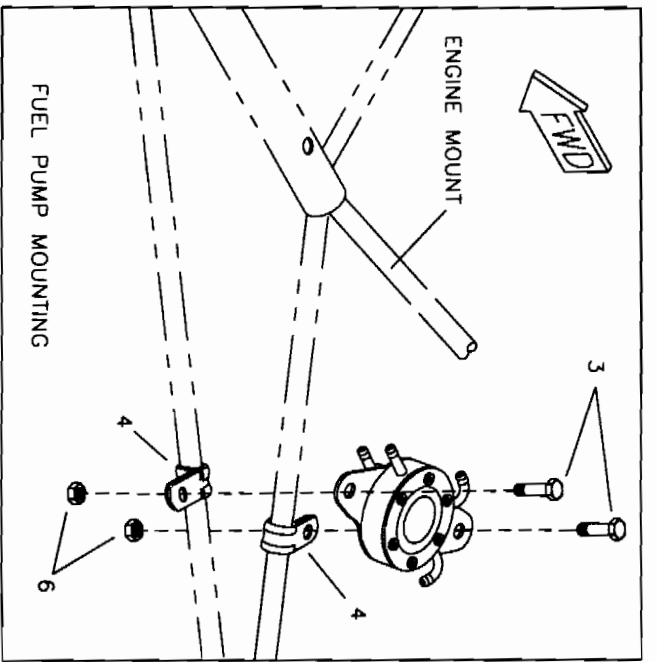


MD1507

RRAND S-4/5 COYOTE 503 UPRIGHT ENGINE MOUNT

S-4 & S-5 Coyote I - 503 Upright Engine Mount

#	DESCRIPTION	PART NUMBER	QUANTITY
1.	1/4" Tensile Nut	AN365-428A	4
2.	1/4" Thin Washer	AN960-416L	4
3.	1/4" Large Washer	AN970-4	16
4.	1/4" Shear Nut	AN364-428A	4
5.	1/4" Thick Washer	AN960-416	12
6.	1/8" Aluminum Washer	EG-AW	8
7.	Barry Mount	22001	4
8.	Spacer Bushing	EG-B-3/8X.058	4
9.	1/4" Bolt	AN4-27A	4
10.	1/4" Bolt	AN4-17A	4
11.	Mount Plate, 503	EG-MP-503	2
11.	Mount Plate, 447	KPPW0134	2
12.	Engine Mount	KPPW0078	1



MD2792

10/1/97

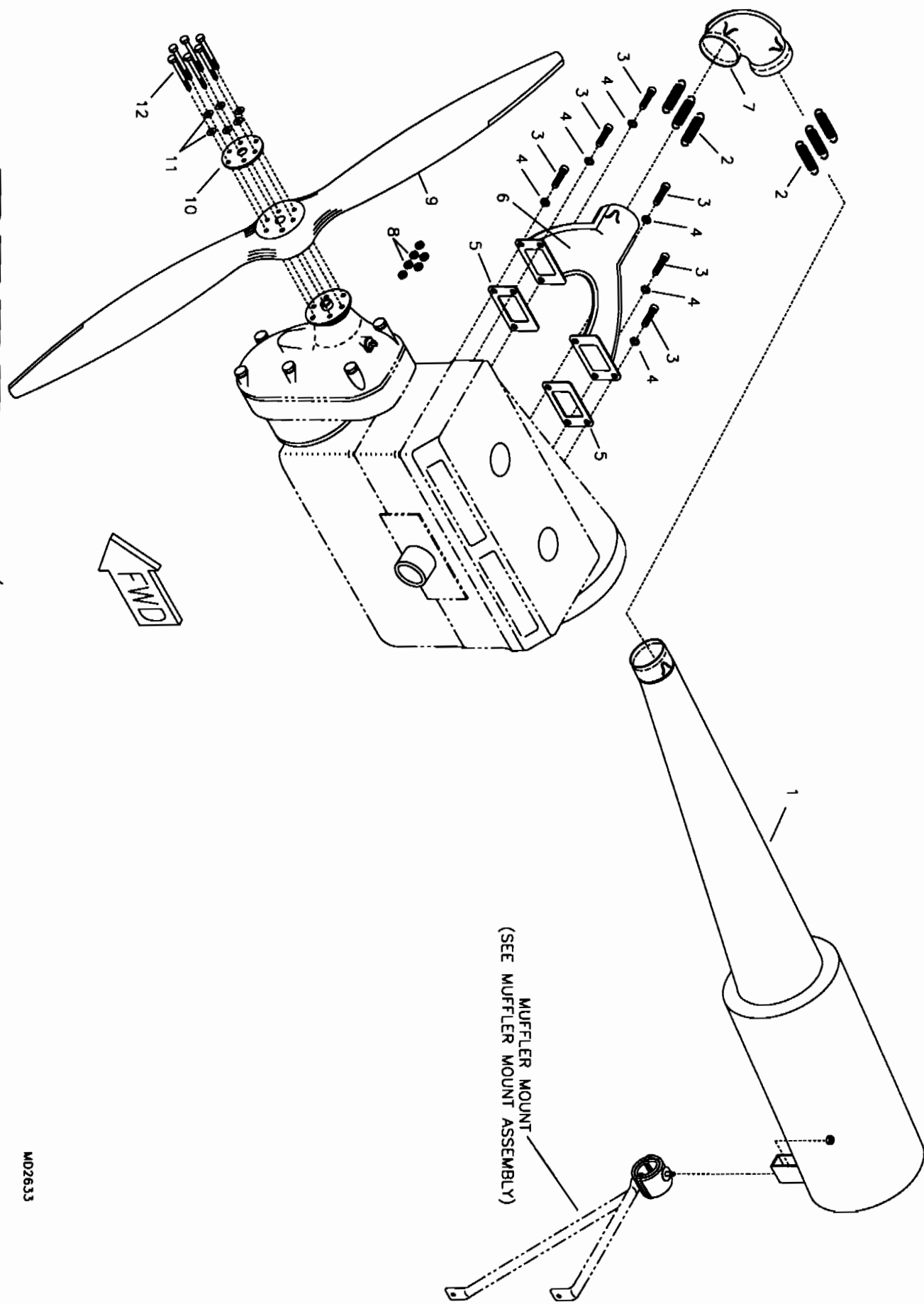
RRADNDS S-4/5 COYOTE 503 ENGINE WITH SINGLE CARBURETOR ASSEMBLY

S-4 Coyote I - 503 Engine with Single Carburetor Assembly

#	DESCRIPTION	PART NUMBER	QUANTITY
1.	Rotax 503 Engine, SC	EG-EG-503	1
2.	1/4" Blue Fuel Line	FS-FL	8 ft
3.	3/16" Bolt	AN3-7A	2
4.	5/8" Cushioned Tube Clamp	MS21919-DG10	2
5.	Line Clamp, 5/16" I.D.	FS-LCL 5/16ID	9
6.	3/16" Shear Nut	AN364-1032A	2
7.	Fuel Pump *	EG-EG-503-3	1
8.	Carb Clamp *	EG-EG-503-4	2
9.	Carb Boot *	EG-EG-503-5	1
10.	Bing Carburetor *	EG-EG-503-6	1
11.	Air Filter Clamp **	EG-EG-503-7	1
12.	Air Filter, K & N	EG-AF	1
13.	Throttle Cable, 105"	EG-T-CAB	1
14.	Cable Ferrule Cap	ENDCAP-12000	2
15.	Throttle Cable Housing, 65"	EG-T-CAB-H	1
16.	Safety Wire	SAFETY WIRE	0
17.	Throttle Cable Housing Boot *	----	0
18.	Fuel Line "Y" Connector	8345	1
19.	Single Primer Kit	SINGLE PRIMER	1
20.	7/16" Thick Washer	AN960-716	12
21.	Loc Washer *	EG-WASHER	4
22.	Nut *	EG-NUT	4
23.	Long Black Nylon Ties	LG-N-TIE	4
23.	Short Black Nylon Ties	N-TIES	4

*Supplied with Engine.

**Supplied with Air Filter.



MUFFLER MOUNT
(SEE MUFFLER MOUNT ASSEMBLY)

RRRND S-4/5 COYOTE MUFFLER
AND PROPELLER FOR 503 ENGINE

M02633

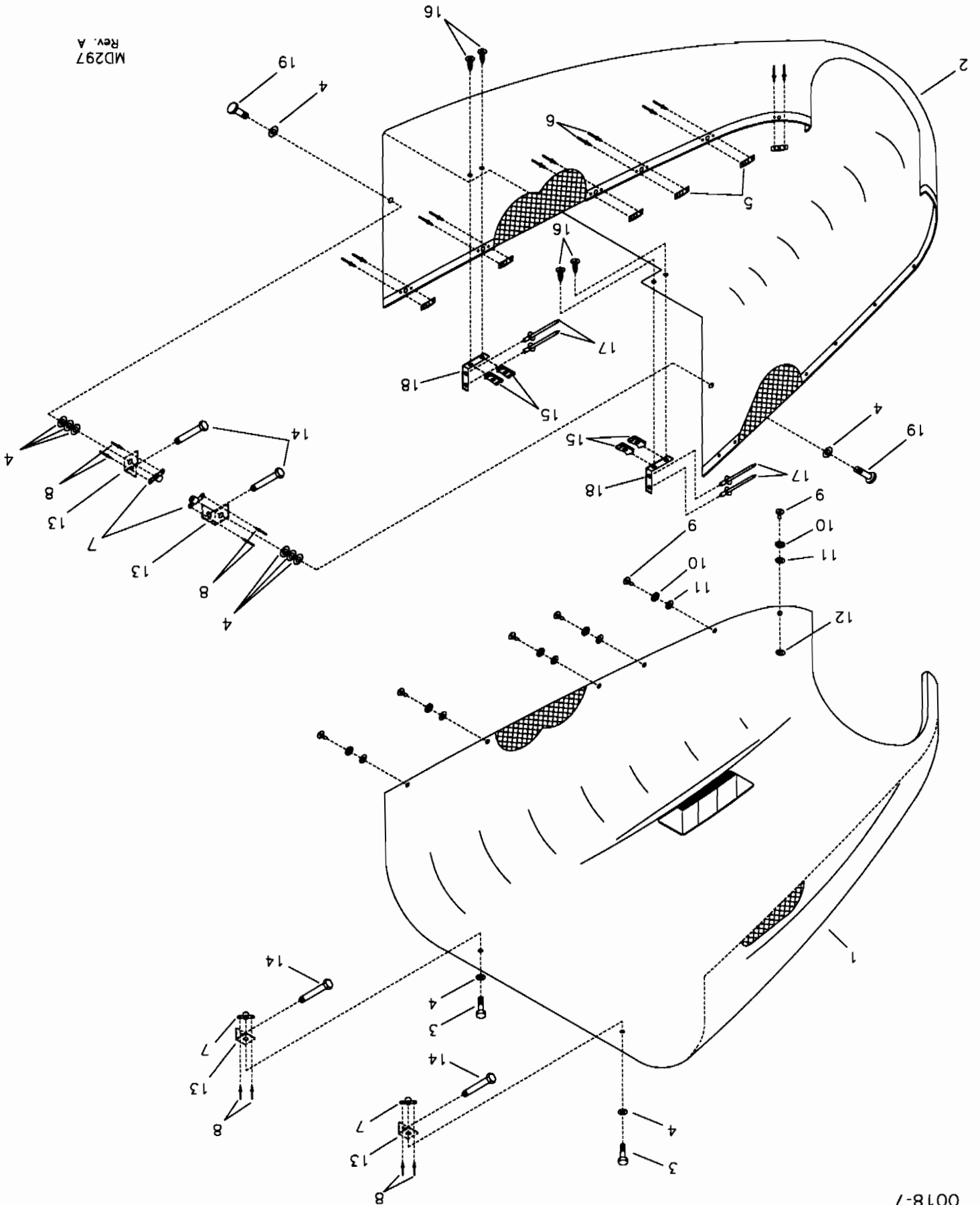
S-4 & S-5 Coyote I - Muffler & Propeller for 503 Engine

#	DESCRIPTION	PART NUMBER	QUANTITY
1.	Muffler, 503	KAEX0012	1
2.	Muffler Springs (503 Only)	EG-MUFF-SPRINGS	6
3.	10MM Shoulder Screw *	----	0
4.	10MM Loc Washer *	----	0
5.	Exhaust Gasket *	----	0
6.	Exhaust Manifold, 503	KSEX0008	1
6.	Exhaust Manifold, 447	KSEX0014	1
7.	Muffler Elbow	KAEX0009	1
8.	1/4" Tensile Nut	AN365-428A	6
9.	Propeller (503/582)	EG-PROP	1
10.	Prop Plate *	----	0
11.	1/4" Thick Washer	AN960-416	6
12.	1/4" Bolt (STD)	AN4-32A	6
12.	1/4" Bolt (with Opt 9" Spinner only)	AN4-33A	6

*Supplied with Engine.

RRMS S-4/5 COYOTE COMWLING ASSEMBLY

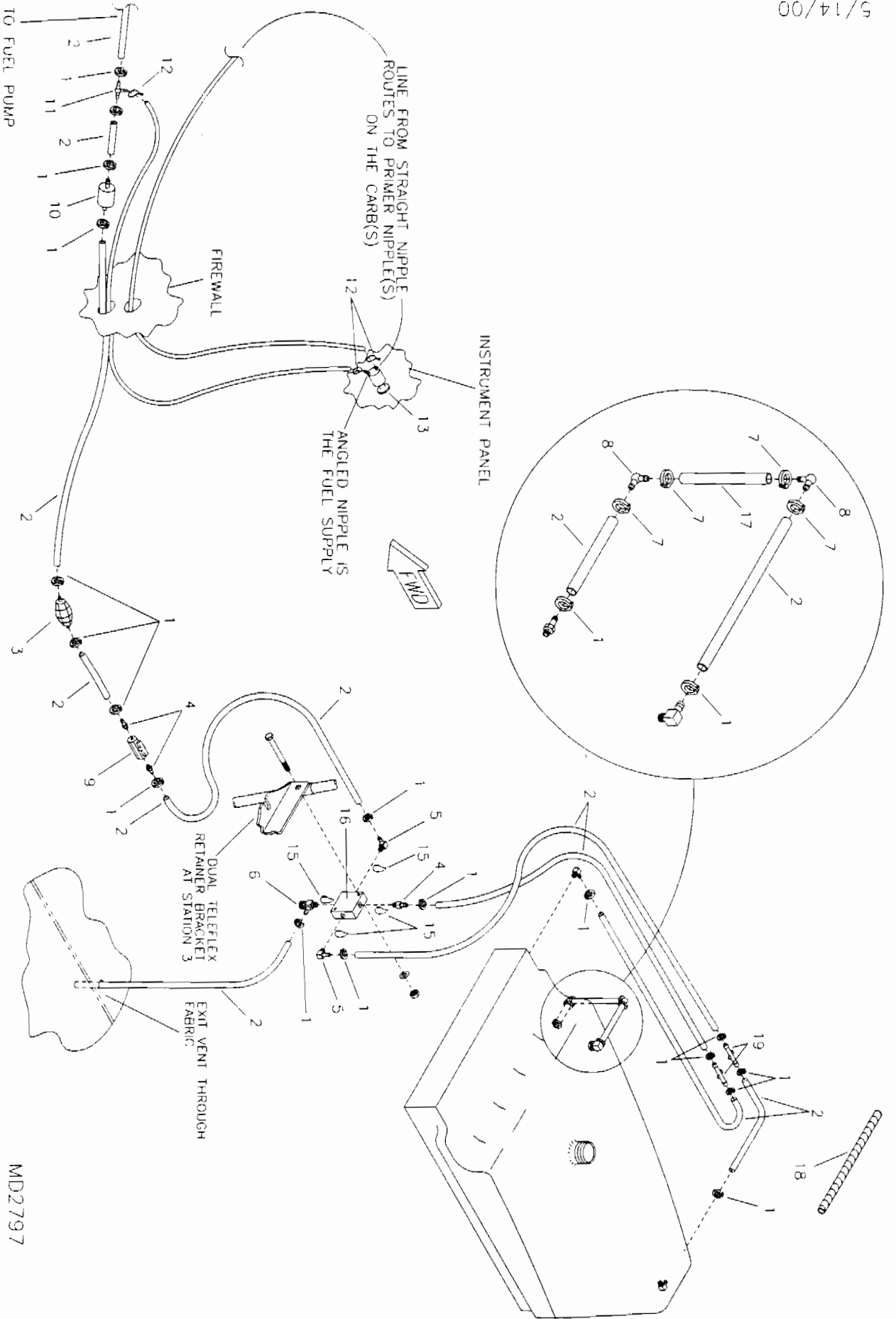
MD297
Rev. A



S-4 & S-5 Coyote I - Cowling

#	DESCRIPTION	PART NUMBER	QUANTITY
1.	Cowling Top, 503, Painted	C-TOP(4/5)	1
2.	Cowling Bottom	C-BOT(4/5)	1
3.	3/16" Bolt	AN3-3A	2
4.	3/16" Plastic Washer	PW-3	10
5.	1/4 Turn Receptacle	#302	15
6.	3/32" Aluminum Pop Rivet	40APR1/4	30
7.	3/16" Nut Plate	K-1000-3	4
8.	3/32" Aluminum Pop Rivet	40APR1/8	8
9.	1/4 Turn Stud	#180	15
10.	Rubber Washer	#201	15
11.	Wear Washer Nylon	#103	15
12.	Snap Ring	#101	15
13.	Cowling Retainer	S1-CR	4
14.	3/16" Bolt	AN3-14A	4
15.	Tinnerman	A1789-8Z-1	4
16.	#8 Pan Head Screw	8X1/2 PHS	4
17.	3/16" Aluminum Pop Rivet - Cherry Q	AAPQ-62	4
18.	Cowling Attach Tab	NG-RAG	2
19.	3/16" Bolt	AN3-6A	2

RRRMS S-4/5 COYOTE SINGLE TANK FUEL SYSTEM



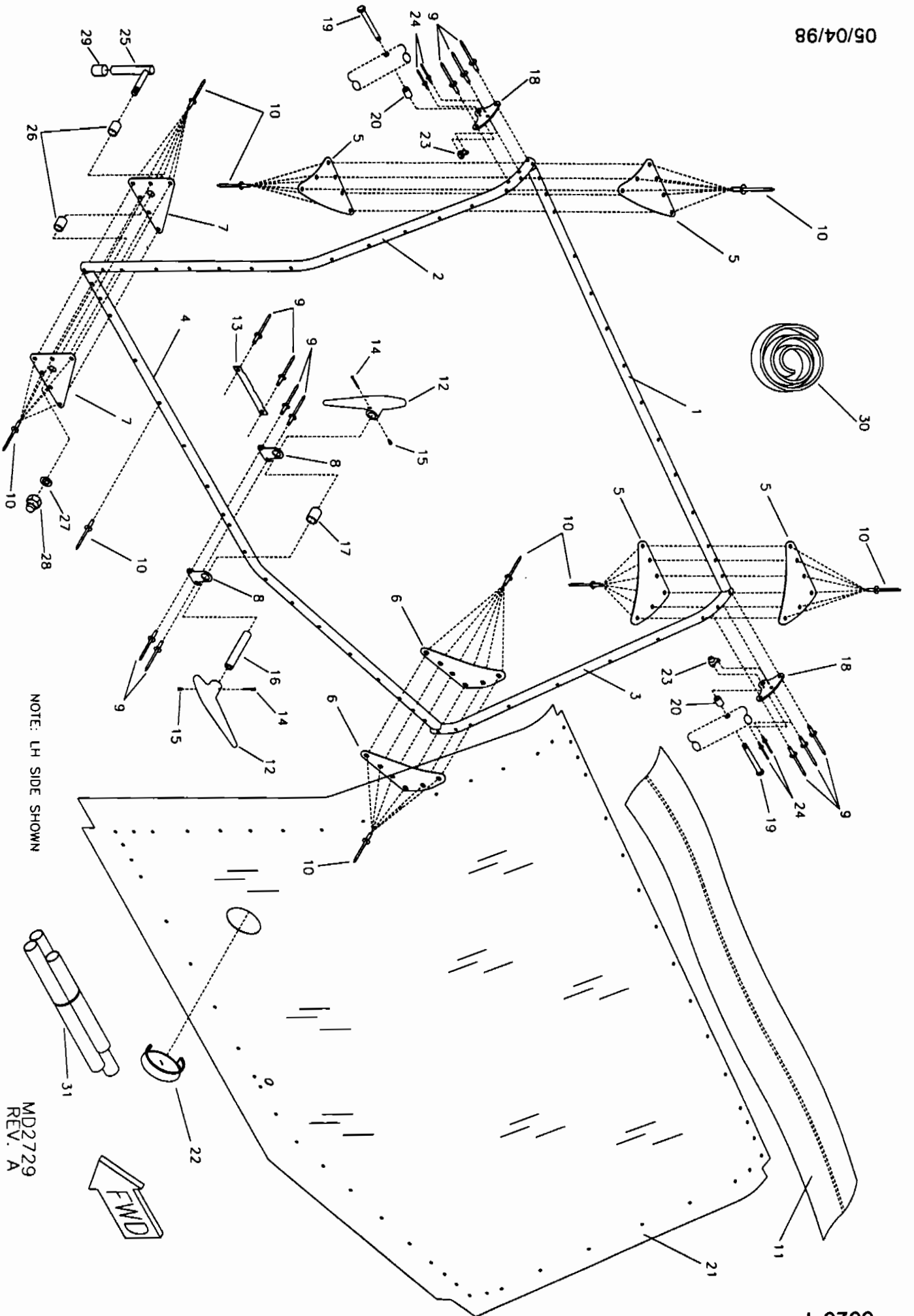
MD2797
Rev. B

S-4 Coyote I - Single Tank Fuel System

#	DESCRIPTION	PART NUMBER	QUANTITY
1.	Line Clamp, 3/8"	FS-LCL 3/8	20
2.	1/4" Blue Fuel Line	FS-FL	24 ft
3.	Primer Bulb	FS-PB	1
4.	Straight Withdrawal Fitting	8330	3
5.	90 Withdrawal Fitting	8342	2
6.	Sump Drain Valve	8336	1
7.	Line Clamp, 5/16" I.D.	FS-LCL 5/16ID	4
8.	1/4" X 1/4" 90 Fitting	7-11044	2
9.	Fuel Shut Off Valve	FS-S-OFF	1
10.	Fuel Filter	FS-FIL	1
11.	Primer Fuel Line T *	PRIME-LINE-T	0
12.	Safety Wire	SAFETY WIRE	0
13.	Primer Pump *	PRIME-PUMP	0
13.	Single Primer Kit **	SINGLE PRIMER	0
14.	1/8" Blue Primer Fuel Line *	PRIMER LINE	0
15.	Loctite Blue	LOC-TITE	0
16.	Fuel Mixer Block	FS-FMB	1
17.	1/4" Clear Fuel Line	KSFS0008	1 ft
18.	Coil Wrap	1/2 SPIRAL LOOM	1 ft
19.	Straight 1/4" Barb Fitting	KSHW0048	2

*Comes with Primer Kit.

**Referenced from Engine Section.



NOTE: LH SIDE SHOWN

MD2729
REV. A

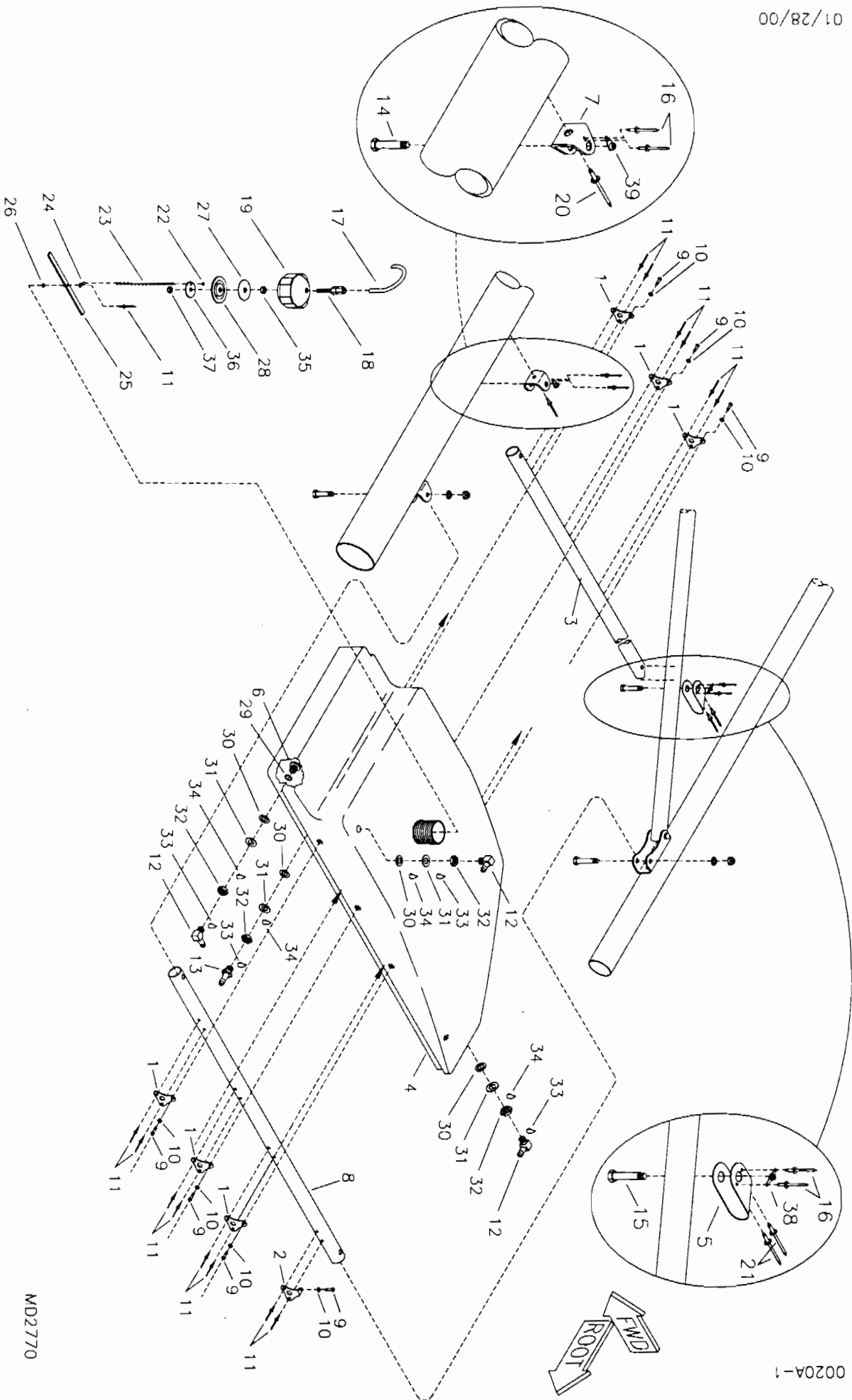
RRPMD S-4/5 COYOTE DOOR ASSEMBLY

S-4 & S-5 Coyote I - Optional Doors

#	DESCRIPTION	PART NUMBER	QUANTITY
1.	Top Tube - Door Frame	KPDR0048	2
2.	FWD Tube - Door Frame	KPDR0046	2
3.	AFT Tube - Door Frame	KPDR0047	2
4.	Bottom Tube - Door Frame	KPDR0049	2
5.	Gusset	D-CG	8
6.	Window Former Top Former Gusset	FE-WF-TF-GUS	4
7.	Gusset	U-ST003	4
8.	Door Handle Gusset	D-DHG	4
9.	1/8" Stainless Steel Pop Rivet - Cherry Q	CCPQ-42	24
10.	1/8" Aluminum Pop Rivet - Avex	1691-0410	158
11.	Top Seal - Door	KPDR0052	1
12.	Handle	KPDR0026	4
13.	Door Rub Block	D-RB	2
14.	Button Head Screw	KSHW0024	4
15.	Brass Flange Nut	KSHW0025	4
16.	Aluminum Bushing, 3/8" x .058 x 2 1/8" *,**	KAAC0010-1	0
17.	Aluminum Bushing, 1/2" x .058 x 1/2" *,**	KAAC0010-2	0
18.	Door Hinge	KPDR0045	4
19.	3/16" Bolt	AN3-16A	4
20.	Aluminum Bushing, 3/8" x .090 x 3/8" *,**	KAAC0010-3	0
21.	Lexan - Door	KPDR0053	2
22.	Air Vent	AIR-VENT	2
23.	3/16" Nut Plate	MS21073-L3	4
24.	3/32" Aluminum Pop Rivet	40APR1/8	8
25.	Door Latch - FWD	KPDR0063	2
26.	Aluminum Bushing, 3/8" x .090 x 1/2" *,**	KAAC0010-3	0
27.	3/16" Thin Washer	AN960-10L	2
28.	3/16" Shear Acorn Nut	22NKM02	2
29.	5/16" Overflow Hose (3/4")	EGCS-OFH	2 in
30.	1" Black Foam Tape	KSAC0011	20 in
31.	Door Raw Stock Kit	KAAC0010	1

*Builder must fabricate from Raw Stock.

**Supplied in Door Raw Stock Kit.



R3FMD S-4/5 COYOTE OPTIONAL DUAL FUEL TANK MOUNT ASSEMBLY

MD2770

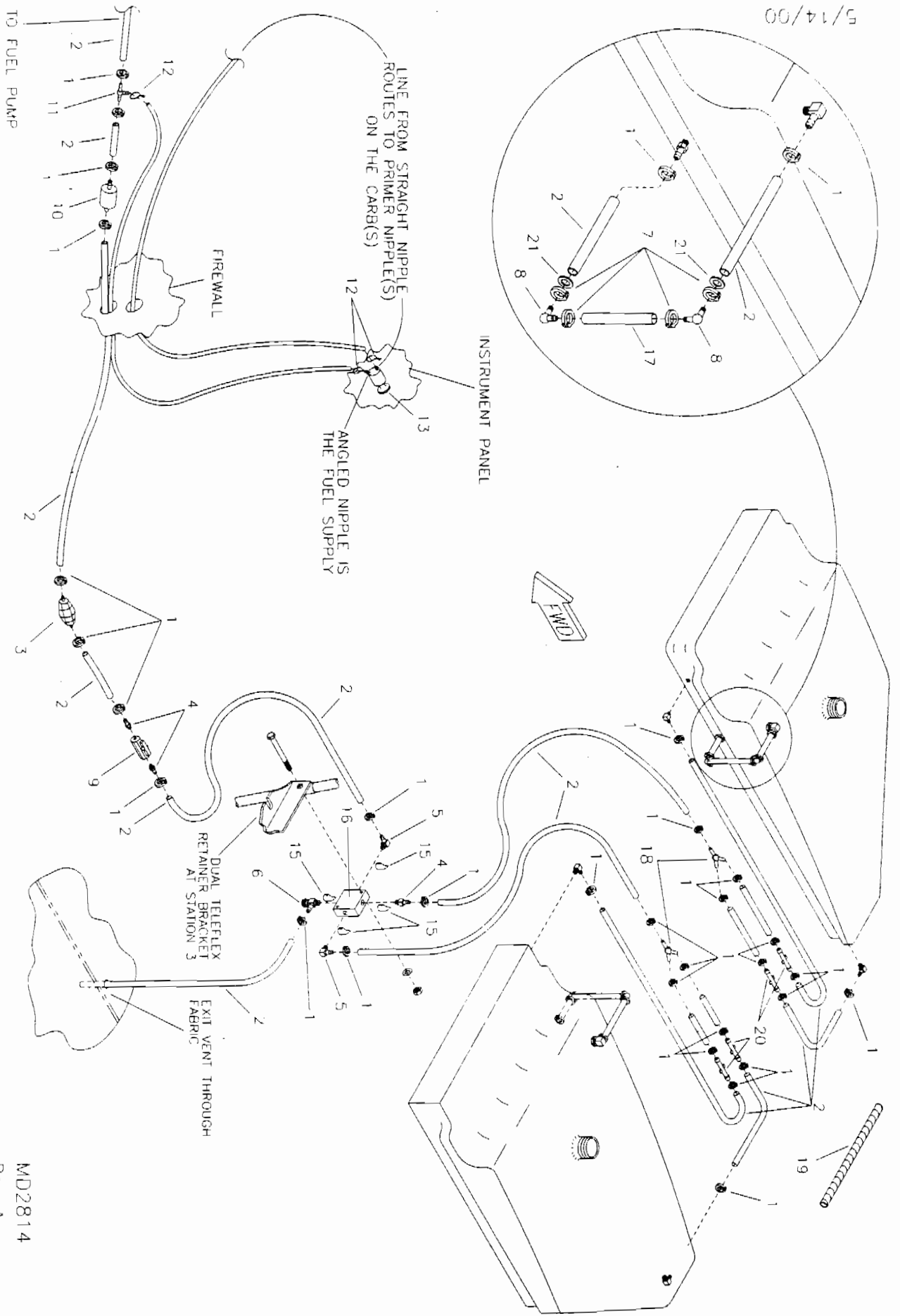
S-4 & S-5 Coyote I - Optional Dual Fuel Tank Mount Assembly

#	DESCRIPTION	PART NUMBER	QUANTITY
1.	Wing Tank-Mount Bracket	KPFS0007	6
2.	Wing Tank-AFT Mount Bracket, RH	KPFS0011-R	1
3.	Outer Tank Support	KPWI0244(4/5)	1
4.	Fuel Tank, RH	KPFS0005-R	1
5.	U Bracket	KPAC0055	1
6.	Tank Withdrawal Fitting	KPFS0017	4
7.	Attach Bracket	S2-SAB	1
8.	Compression Tube *	W-IO-143	0
9.	3/16" Bolt	AN3-3A	7
10.	3/16" Thick Washer	AN960-10	7
11.	1/8" Stainless Steel Pop Rivet - Cherry Q	CCPQ-44	15
12.	90 Withdrawal Fitting	8342	3
13.	Straight Withdrawal Fitting	8330	1
14.	3/16" Bolt	AN3-15A	1
15.	3/16" Bolt	AN3-14A	1
16.	3/32" Aluminum Pop Rivet	40APR1/8	4
17.	Vent Tube	KPFS0020	1
18.	Conduit Adjuster Assembly	KSFS0014	1
19.	Fuel Cap	KSFS0007	1
20.	3/16" Stainless Steel Pop Rivet - Cherry Q	CCPQ-64	1
21.	1/8" Stainless Steel Pop Rivet - Cherry Q	CCPQ-42	2
22.	Bead Chain - Retainer Sleeve/Detachable Sleeve	KSHW0014	1
23.	#3 Bead Chain	KSHW0012	7 in
24.	Bead Chain - End Coupling	KSHW0013	1
25.	Plastic Retainer	KPFS0012	1
26.	1/8" Small Brass Washer	AN960-B4	1
27.	Plastic Baffle ***	KSFS0012	0
28.	Rubber Gasket ***	KSFS0013	0
29.	O-Ring	KSFS0009	4
30.	Rubber Washer	KSFS0010	4
31.	1/2" Thick Washer	AN960-816	4
32.	Nut-Flared Tube Bulkhead	AN924-5D	4
33.	Thread Sealant **	KSAC0014	0
34.	Loctite Blue	LOC-TITE	0
35.	1/4" Plain Nut	AN345-416	1
36.	1/4" Large Washer	AN970-4	1
37.	1/4" Shear Nut	AN364-428C	1
38.	3/16" Nut Plate	K-1000-3	1
39.	3/16" Single Ear Nut Plate	MS21051-L3	1

*Referenced from wing tank assembly.

**Thread Sealant (builder provides) is recommended but Loctite Blue can also be used.

***Supplied with Fuel Cap. NOTE: Qtys shown are in addition to single wing tank setup.



RRRMMSS S-4/5 COYOTE OPTIONAL DUAL TANK FUEL SYSTEM

MD2814
Rev. A

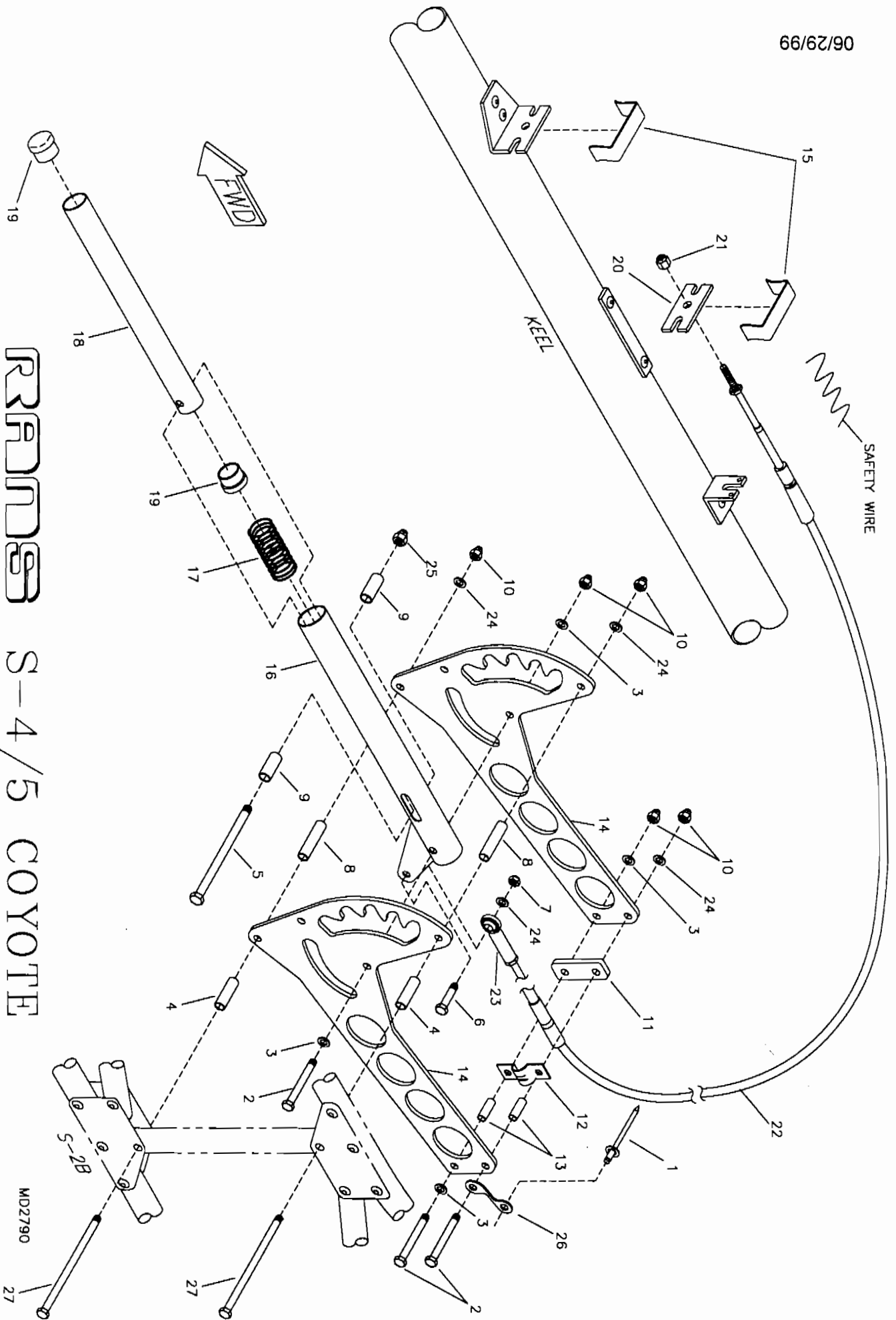
S-4 & S-5 Coyote I - Optional Dual Tank Fuel System

#	DESCRIPTION	PART NUMBER	QUANTITY
1.	Line Clamp, 3/8"	FS-LCL 3/8	12
2.	1/4" Blue Fuel Line	FS-FL	12 ft
3.	Primer Bulb **	FS-PB	0
4.	Straight Withdrawal Fitting **	8330	0
5.	90 Withdrawal Fitting **	8342	0
6.	Sump Drain Valve **	8336	0
7.	Line Clamp, 5/16" I.D.	FS-LCL 5/16ID	4
8.	1/4" x 1/4" 90 Fitting	7-11044	2
9.	Fuel Shut Off Valve **	FS-S-OFF	0
10.	Fuel Filter **	FS-FIL	0
11.	Primer Fuel Line T *	PRIME-LINE-T	0
12.	Safety Wire	SAFETY WIRE	0
13.	Primer Pump *	PRIME-PUMP	0
13.	Single Primer Kit ***	SINGLE PRIMER	0
14.	1/8" Blue Primer Fuel Line *	PRIMER LINE	0
15.	Loctite Blue	LOC-TITE	0
16.	Fuel Mixer Block **	FS-FMB	0
17.	1/4" Clear Fuel Line	KSFS0008	1 ft
18.	Fuel Line "Y" Connector	8345	2
19.	Coil Wrap	1/2 SPIRAL LOOM	1 ft
20.	Straight 1/4" Barb Fitting	KSHW0048	4
21.	Rubber Grommet	MS35489-11	2

*Supplied with Primer Kit.

**Referenced from Fuel System.

***Referenced from engine section.



OPTIONAL FLAP LEVER ASSEMBLY
 S-4/5 COYOTE

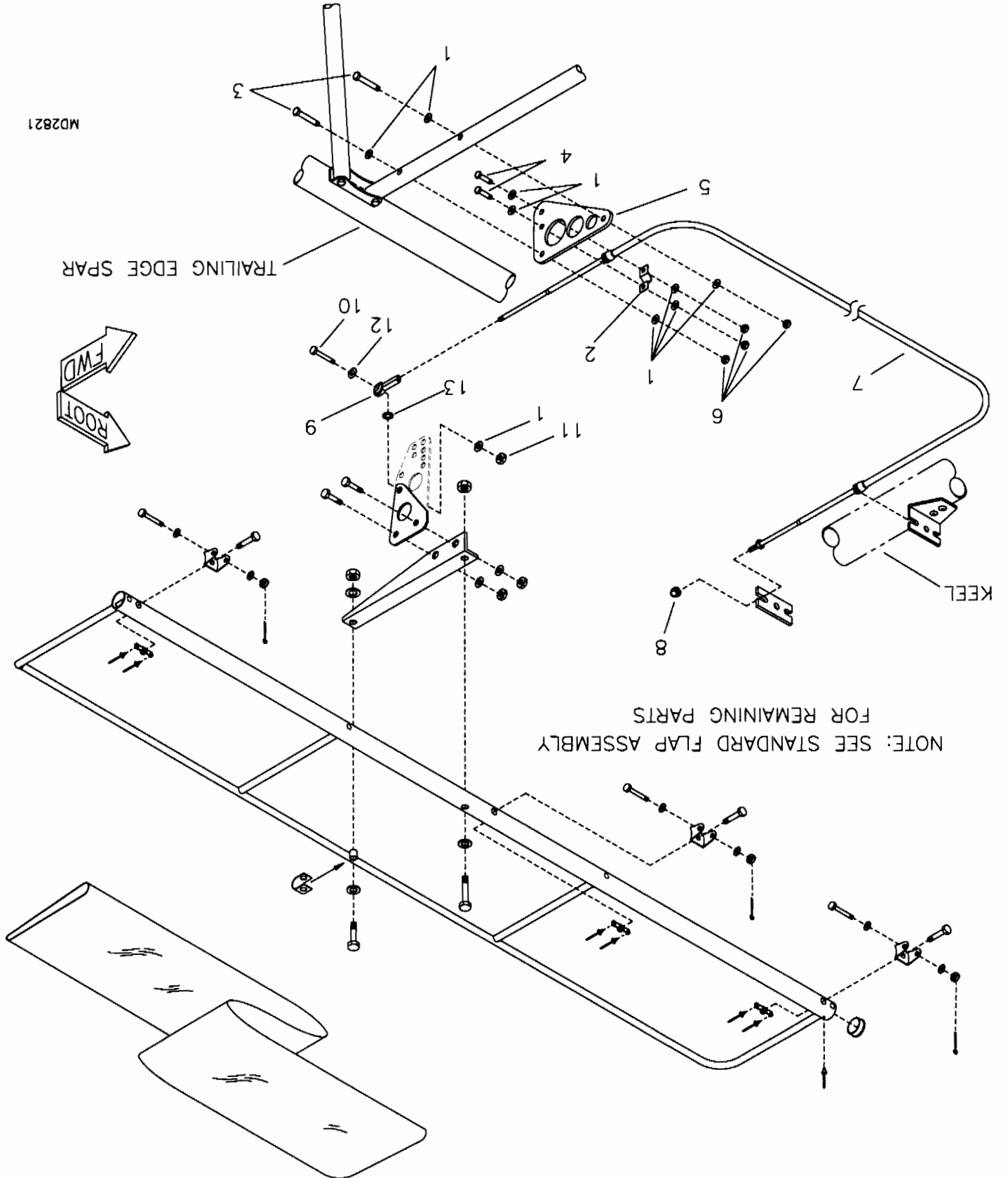
S-4 & S-5 Coyote I - Optional Flap Lever System

#	DESCRIPTION	PART NUMBER	QUANTITY
1.	3/16" Stainless Steel Pop Rivet - Cherry Q	CCPQ-62	1
2.	3/16" Bolt	AN3-14A	3
3.	3/16" Thick Washer	AN960-10	4
4.	Aluminum Bushing, 1/4" x .028 x 3/4" *	KAAC0003-1	0
5.	1/4" Bolt	AN4-20A	1
6.	3/16" Bolt	AN3-6A	1
7.	3/16" Shear Nut	AN364-1032A	1
8.	Aluminum Bushing, 1/4" x .028 x 7/8" *	KAAC0003-1	0
9.	Aluminum Bushing, 3/8" x .058 x 3/8" *	KAAC0003-3	0
10.	3/16" Shear Acorn Nut	22NKM02	5
11.	Plastic Shim	KPAC0121	1
12.	Teleflex Retainer Bracket	KSCS0001	1
13.	Aluminum Bushing, 1/4" x .028 x 11/16" *	KAAC0003-1	0
14.	Flap Lever Side Plate	KPFL0038	2
15.	Flap Teleflex Clip	FL-CLIP	2
16.	Flap Lever	KPFL0044	1
17.	Spring	C-21	1
18.	Flap Trip Release Tube	KPFL0045	1
19.	3/4" Endcap	3/4 ENDCAP	2
20.	Flap Dual Teleflex Retainer AFT	FL-DTR-AFT	1
21.	3/16" Tensile Nut	AN365-1032A	1
22.	Teleflex Cable - 6'	KSCS0005	6 ft
23.	Female Rod End	NF-3	1
24.	3/16" Thin Washer	AN960-10L	4
25.	1/4" Shear Acorn Nut	52NKTE-048	1
26.	Mount Bracket - Flap Handle	KPFL0042	1
27.	3/16" Bolt	AN3-32A	2

*Builder must fabricate from Raw Stock.

RMS S-4/5 COYOTE OPTIONAL IN FLIGHT ADJUSTABLE FLAP SYSTEM

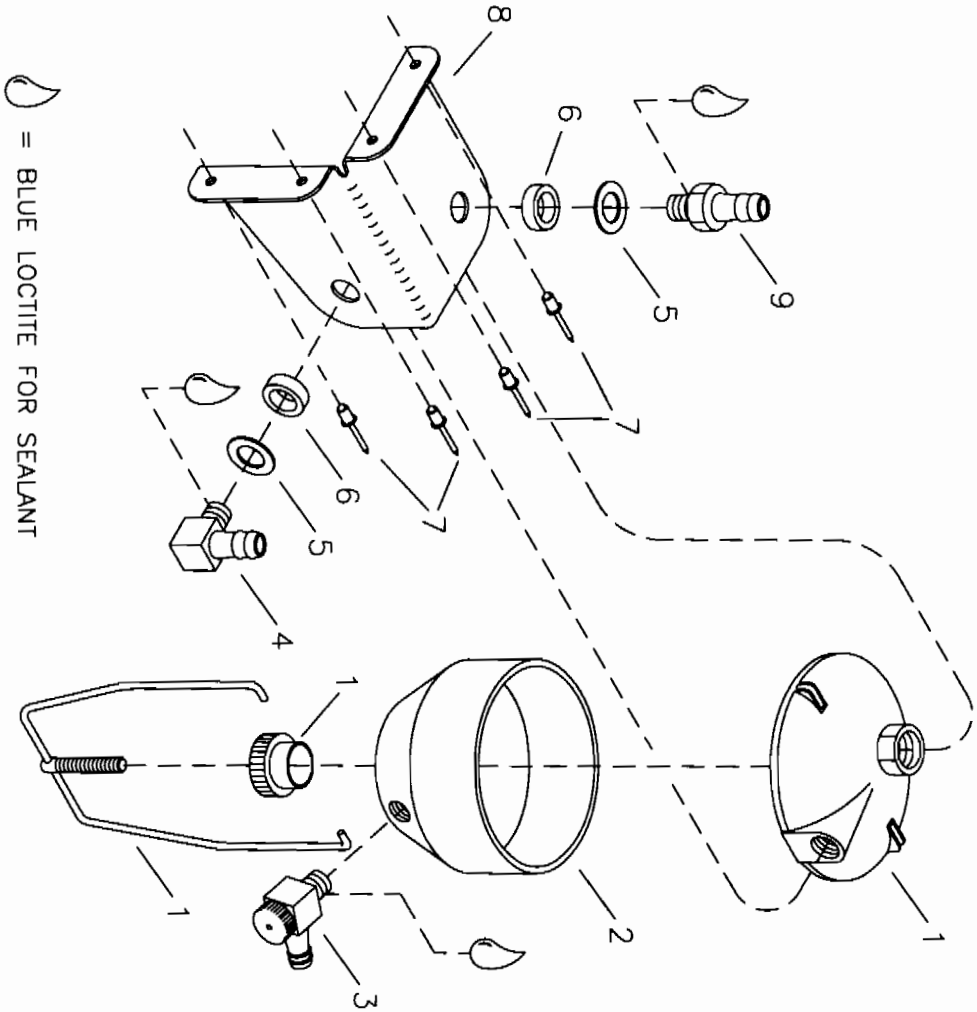
MD2821



S-4 Coyote I - Optional In-Flight Adjustable Flap System

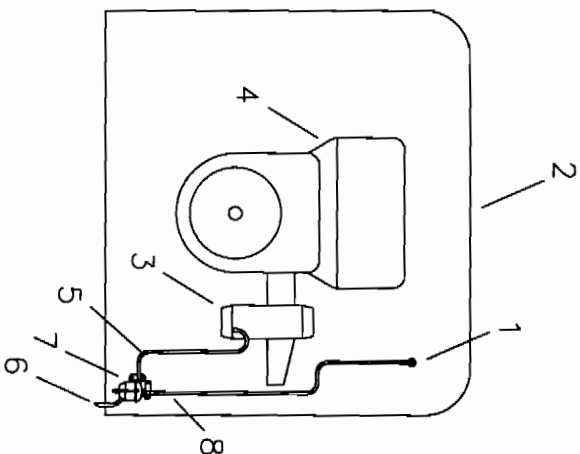
#	DESCRIPTION	PART NUMBER	QUANTITY
1.	3/16" Thin Washer	AN960-10L	20
2.	Teleflex Retainer Bracket	KSCS0001	2
3.	3/16" Bolt	AN3-14A	4
4.	3/16" Bolt	AN3-4A	4
5.	Elevator Horn	TG-EH	2
6.	3/16" Shear Nut	AN364-1032A	8
7.	Teleflex Cable - 8'	KSCS0006	2
8.	3/16" Tensile Nut	AN365-1032A	2
9.	Female Rod End	NF-3	2
10.	3/16" Bolt	AN3-7A	2
11.	3/16" Shear Acorn Nut	22NKM02	2
12.	3/16" Plastic Washer	PW-3	2
13.	3/16" Thick Washer	AN960-10	2

FUEL SYSTEM GASCOLATOR FOR ALL MODELS OF ~~RF1008~~ AIRCRAFT.



THIS SLICE OF RUBBER HOSE (6) GOES BETWEEN BRACKET AND WASHER TO FRICTION MOUNT GASCOLATION. TIGHTEN DOWN FITTINGS INTO THE GASCOLATOR TO EFFECT A SEAL AND THE MOUNT SHOULD BE SECURE.

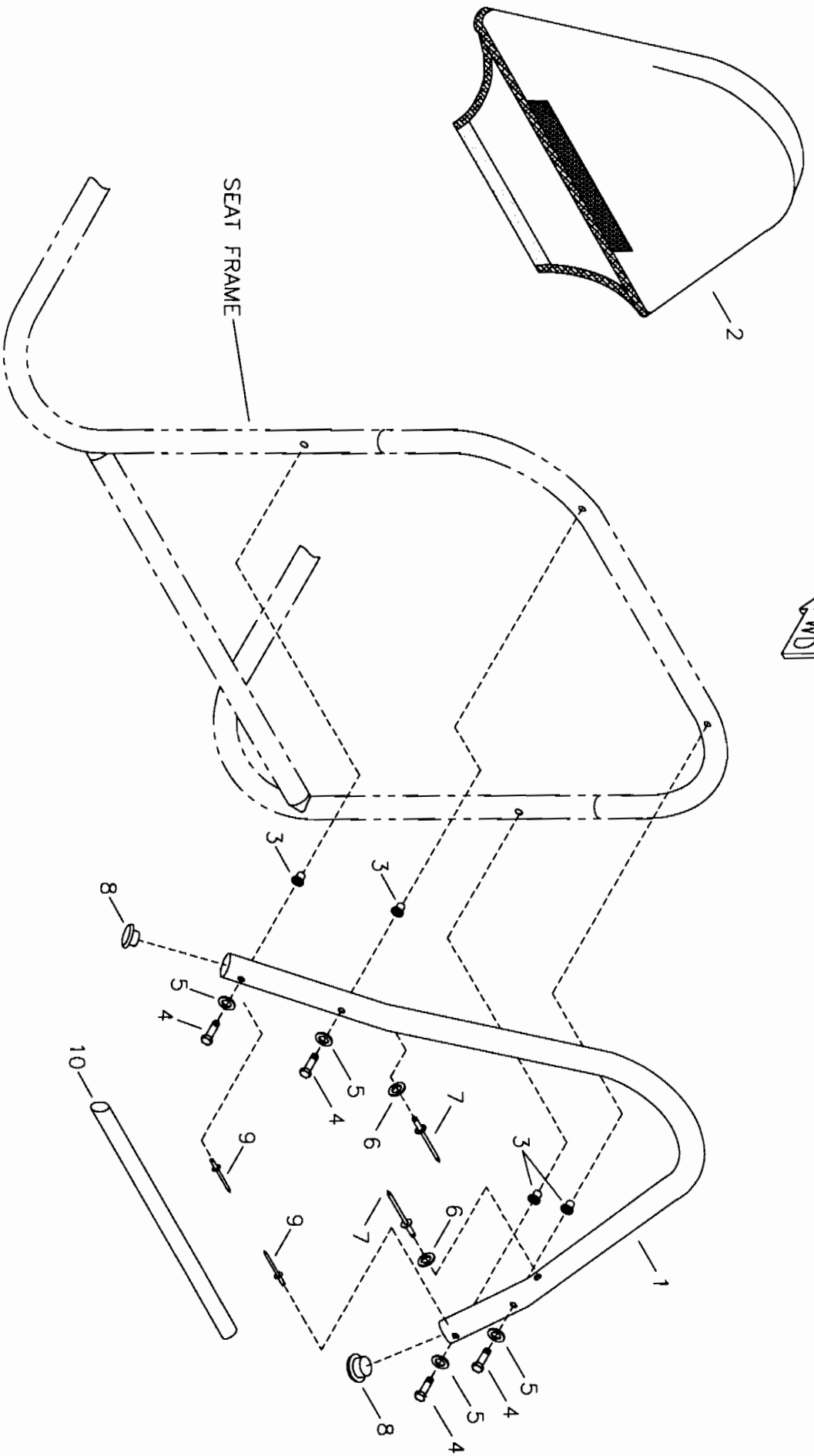
TYPICAL GASCOLATOR INSTALLATION MOUNT VIA RIVETS AT LOW POINT ON FIREWALL. ALLOW ACCESS THROUGH COWLING FOR DRAINING PRIOR TO FLIGHT.



- 1. FIREWALL GROMMET
- 2. FIREWALL
- 3. CARBURETOR(S)
- 4. ENGINE
- 5. FUEL OUTLET FROM GASCOLATOR
- 6. FUEL DRAIN
- 7. GASCOLATOR
- 8. FUEL FEED FROM TANKS

S-4 Coyote I - Optional Gascolator

#	DESCRIPTION	PART NUMBER	QUANTITY
1.	Gascolator	GAS-LAT	1
2.	Gascolator Bowl	GAS-BOWL	1
3.	Sump Drain Valve	8336	1
4.	90 Withdrawal Fitting	8342	1
5.	3/8" Thick Washer	AN960-616	2
6.	Rubber Hose, 3/8" I.D. X 1/4" Long	GAS-RH-3/8X1/4	2
7.	1/8" Stainless Steel Pop Rivet - Cherry Q	CCPQ-41	4
8.	Gascolator Mount	GAS-MT	1
9.	Straight Withdrawal Fitting	8330	1



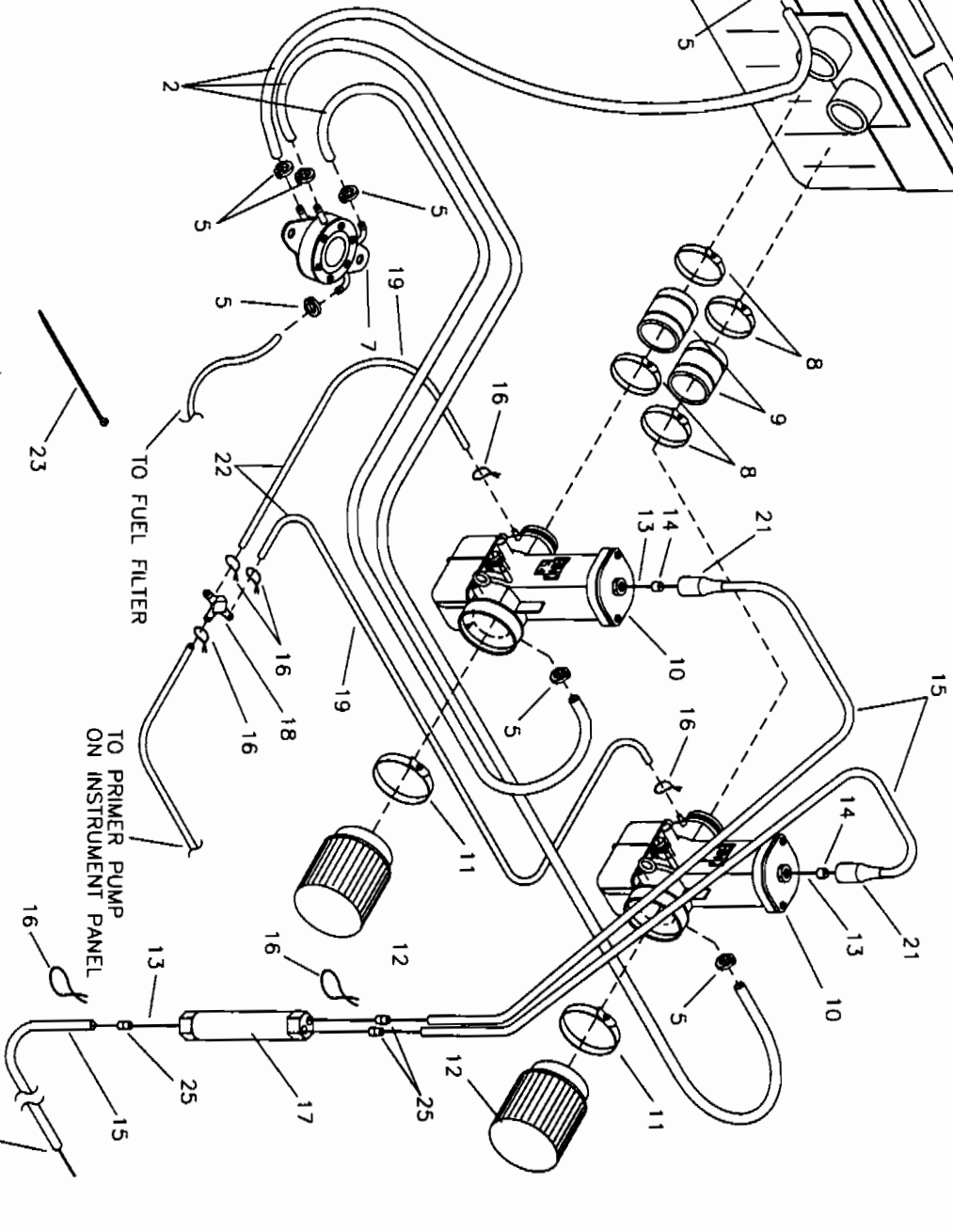
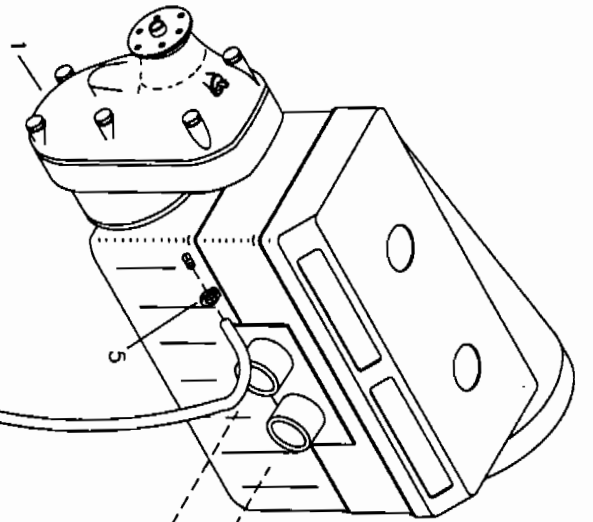
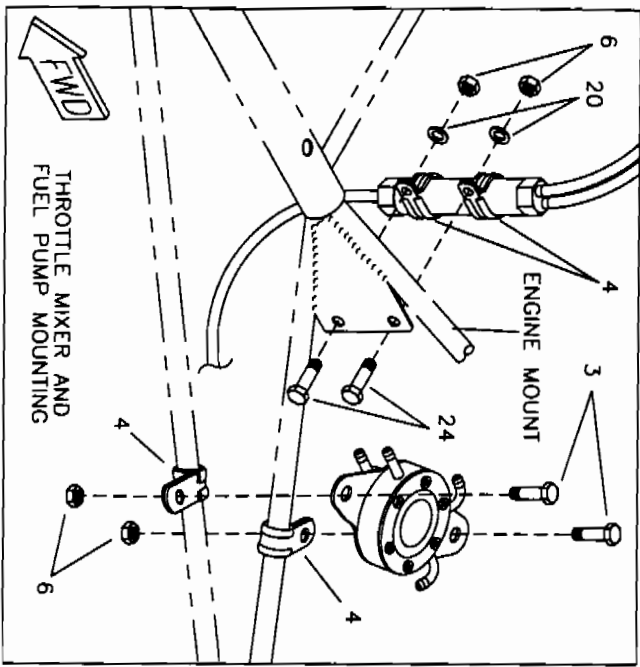
RRRND88 S-4/5 COYOTE
 OPTIONAL HEADREST ASSEMBLY

MD2250

S-4 & S-5 Coyote I - Optional Headrest

#	DESCRIPTION	PART NUMBER	QUANTITY
1.	Headrest Frame	ST-HRF	1
2.	Headrest Cover	ST-HRC	1
3.	3/16" Rivet Nut	MS27130-A25K	4
4.	3/16" Bolt	AN3-13A	4
5.	3/16" Thin Washer	AN960-10L	4
6.	3/16" Thick Washer	AN960-10	2
7.	3/16" Aluminum Pop Rivet - Cherry Q	AAPQ-62	2
8.	1" End Cap	1 CAP	2
9.	3/32" Aluminum Pop Rivet	40APR1/8	2
10.	Headrest Internal Brace, 1/2" x .035 x X *	KAAC0003-8	0

*Builder must fabricate from Raw Stock.



**RRANDER S-4/5 COYOTE
503 ENGINE WITH OPTIONAL
DUAL CARBURETOR ASSEMBLY**

MD2789

S-4 & S-5 Coyote I - Optional Dual Carburetor Assy with 503 Engine

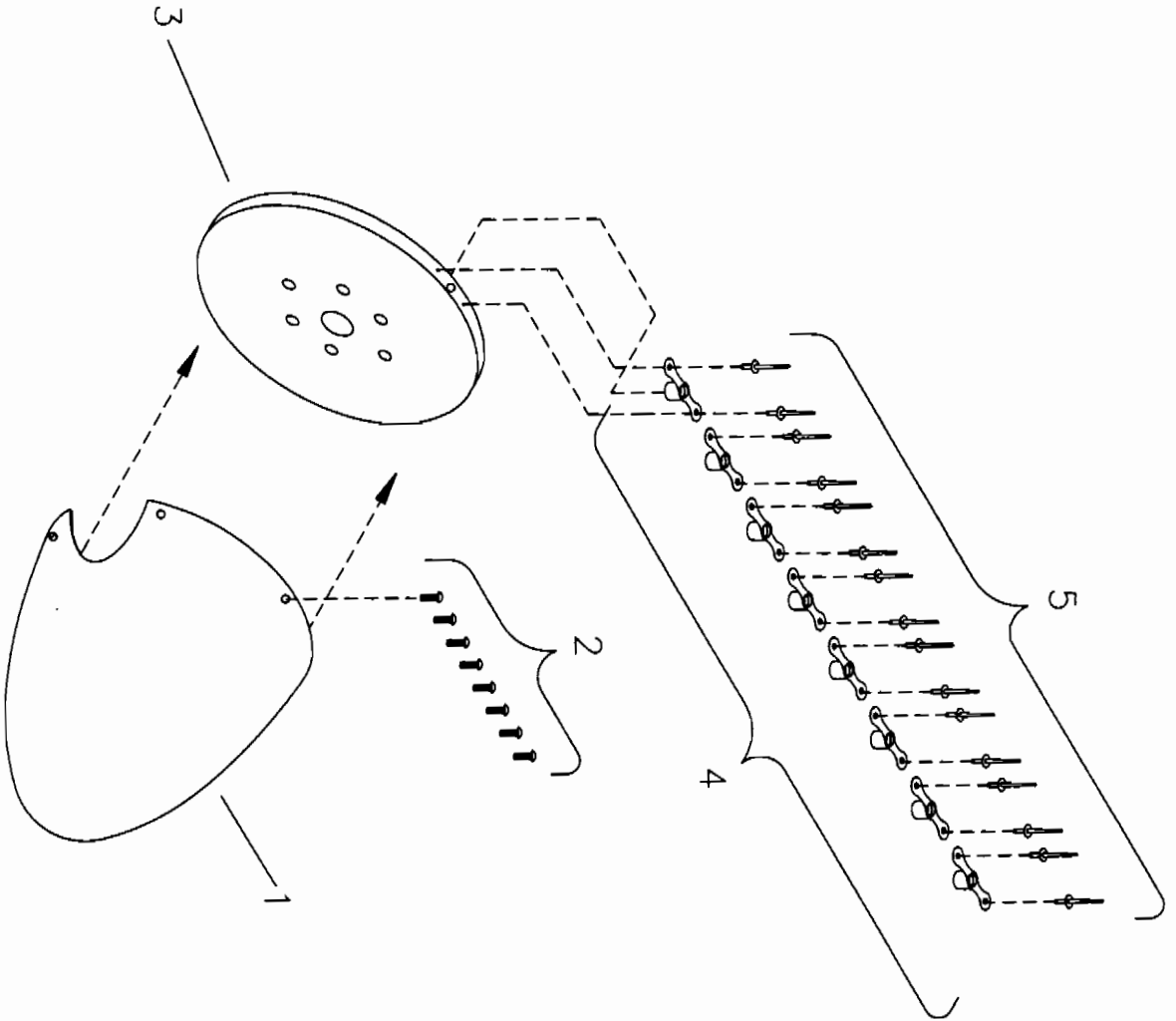
#	DESCRIPTION	PART NUMBER	QUANTITY
1.	Rotax 503 Engine, DC	EG-EG-503DC	1
2.	1/4" Fuel/Pitot/Static Line, Blue	FS-FL	2 ft
3.	3/16" Bolt ****	AN3-7A	0
4.	5/8" Cushioned Tube Clamp	MS21919-DG10	2
5.	Line Clamp, 5/16" I.D. ****	FS-LCL 5/16ID	0
6.	3/16" Shear Nut	AN364-1032A	2
7.	Fuel Pump *	EG-EG-503-3	1
8.	Carb Clamp *	EG-EG-503-4	2
9.	Carb Boot *	EG-EG-503-5	1
10.	Bing Carburetor *	EG-EG-503-6	1
11.	Air Filter Clamp *	EG-EG-503-7	1
12.	Air Filter, K & N	EG-AF	1
13.	Throttle Cable, 503DC ***	EG-T-CAB	0
14.	Cable-Ferrule Cap, 503DC ***	ENDGAP-12000	0
15.	Throttle Cable Housing, 503DC ***	EG-T-CAB-H	0
16.	Safety Wire	SAFETY WIRE	0
17.	Throttle Splitter Assembly (-1 Oil Injection)	KAPW0004	1
18.	1/8" Tee **	PR-1/8T	0
19.	1/8" Blue Primer Fuel Line **	PRIMER LINE	0
20.	3/16" Thin Washer	AN960-10L	2
21.	Throttle Cable Housing Boot *	-----	0
22.	Primer Pump Kit	DUAL PRIMER	1
23.	Long Black Nylon Ties	LG-N-TIE	4
23.	Short Black Nylon Ties	N-TIES	4
24.	3/16" Bolt	AN3-5A	2
25.	Stepped Ferrule ***	-----	0

*Supplied with Engine.

**Supplied with Primer Kit.

***Supplied with Throttle Splitter Assembly.

****Referenced from Single Carb Assembly.

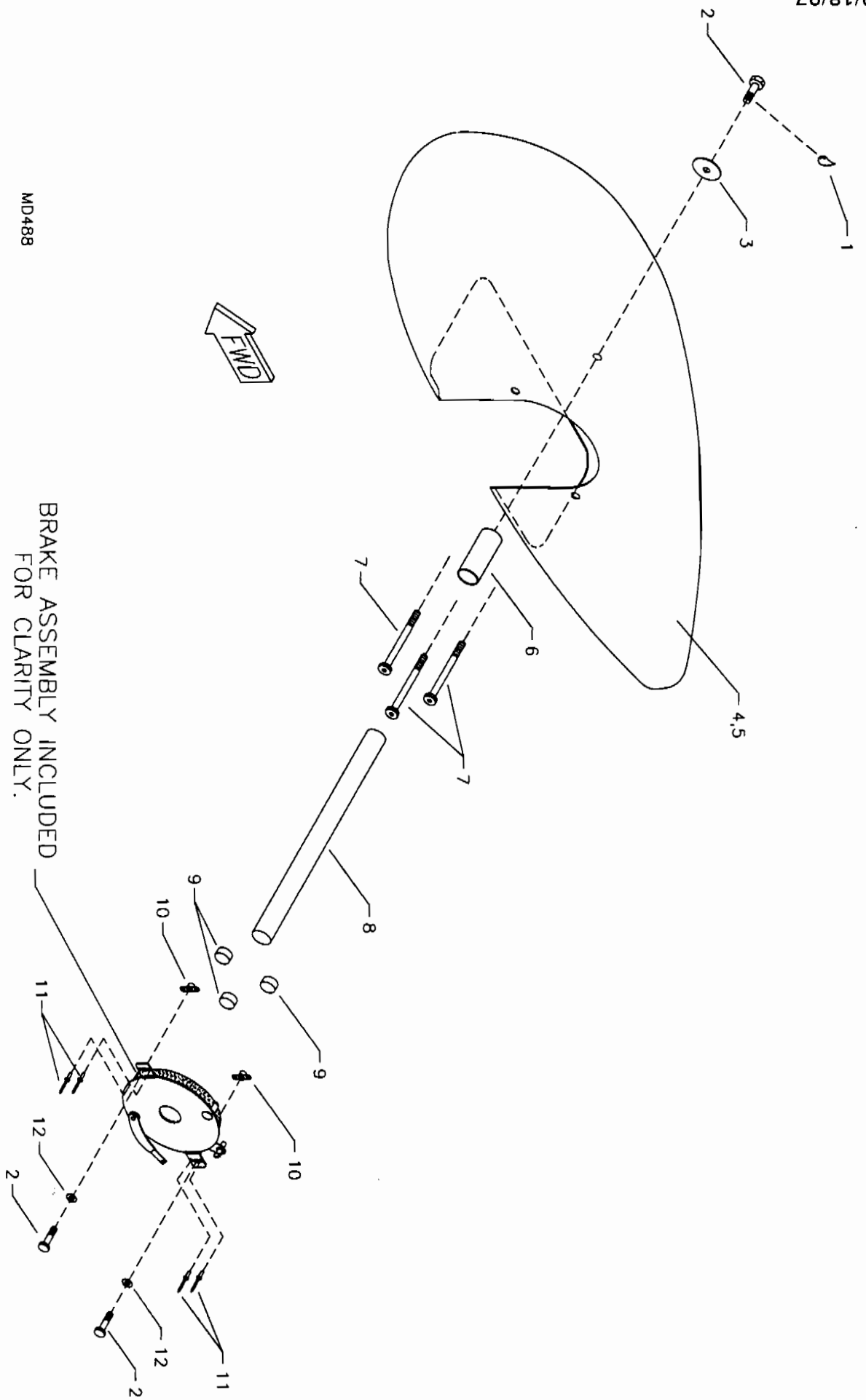


RRRND08 S-4/5 COYOTE OPTIONAL
9" SPINNER

MD236

S-4 & S-5 Coyote I - Optional 9" Spinner

#	DESCRIPTION	PART NUMBER	QUANTITY
1.	Spinner Dome, 9"	SPIN-9	1
2.	Pan Head Phillips Bolt (5/8" long)	KSHW0071	8
3.	Spinner Backing Plate, 9"	SPIN-BC9-503/582	1
4.	3/16" Nut Plate	K-1000-3	8
5.	3/32" Aluminum Pop Rivet	40APR1/4	16



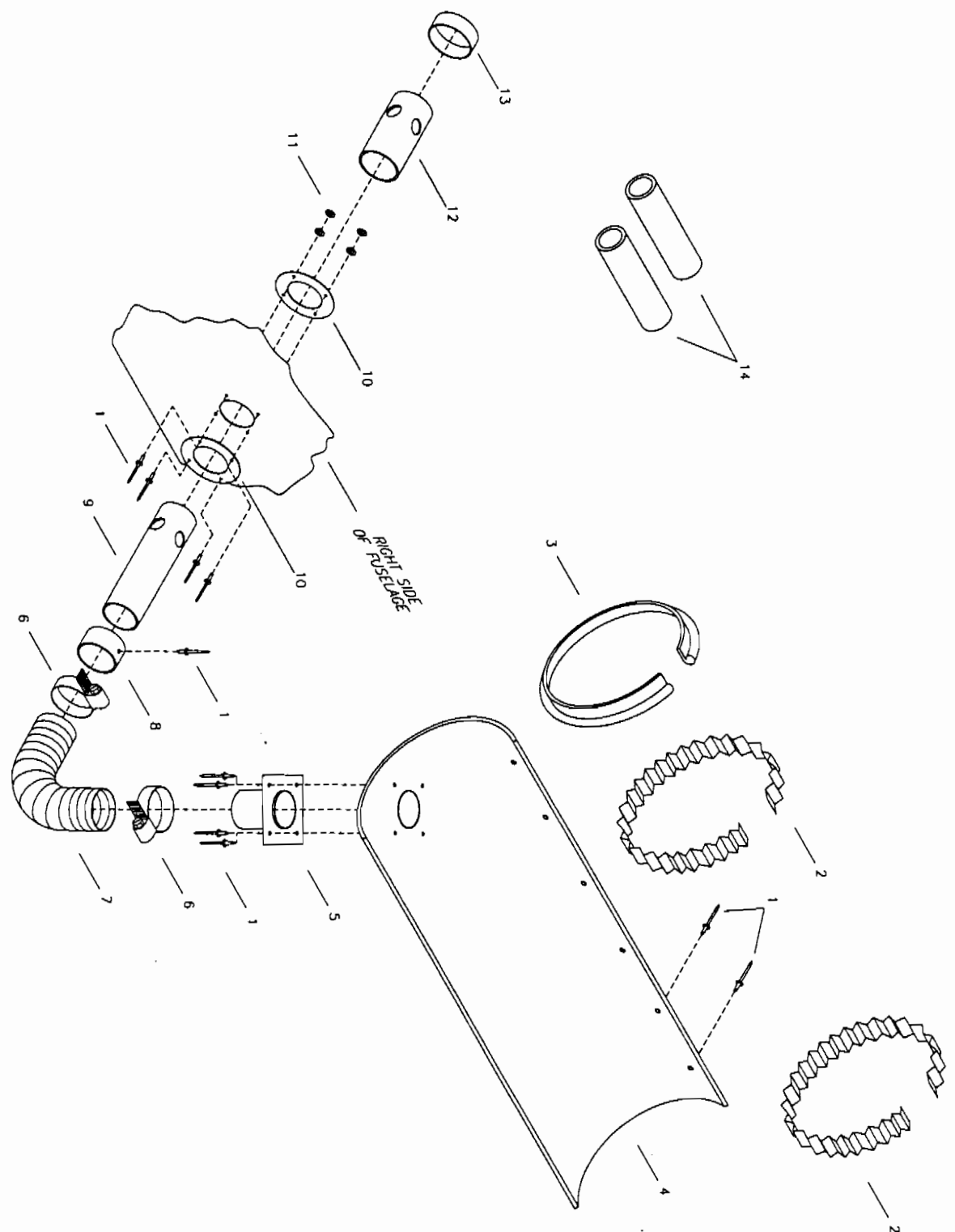
MD488

RRDND8 S-4/5 COYOTE OPTIONAL
MAIN WHEEL PANT ASSEMBLY

S-4 Coyote I - Optional Main Wheel Pants Assembly

#	DESCRIPTION	PART NUMBER	QUANTITY
1.	Loctite Blue	LOC-TITE	0
2.	3/16" Bolt	AN3-4A	6
3.	3/16" Large Wood Washer	AN970-3	2
4.	Main Wheel Pant, LH	MWP	1
5.	Main Wheel Pant, RH	MWP	1
6.	Outside Spacer	MWP-OS	2
7.	5/16" Hex Bolt	5/16X24X2 1/4	6
8.	Main Wheel Pant Axle, 9"	MWP-AXLE	2
9.	Drum Spacer	MWP-DS	6
10.	3/16" Nut Plate	K-1000-3	4
11.	3/32" Aluminum Pop Rivet	40APR1/8	8
12.	3/16" Plastic Washer	PW-3	4

OPTIONAL MUFFLER HEATER ASSEMBLY

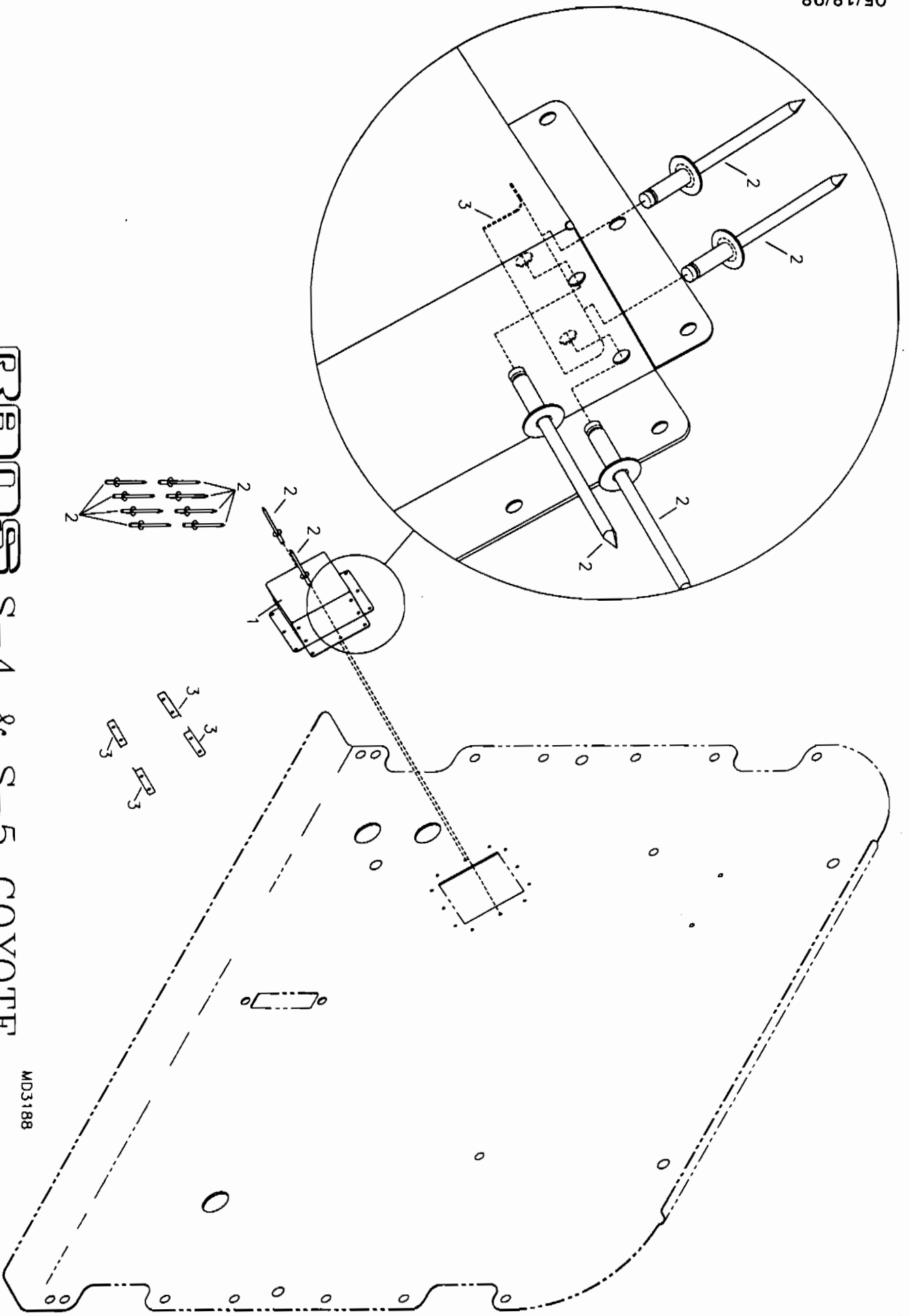


MD3690

S-4 & S-5 Coyote I - Optional Muffler Heater Assembly

#	DESCRIPTION	PART NUMBER	QUANTITY
1.	1/8" Aluminum Pop Rivet - Cherry Q	AAPQ-42	28
2.	Muffler Wrap Stand Off	KPSY0017	2
3.	Fiberglass Rope	8815K162	22 in
4.	Heater Wrap	KPSY0032	1
5.	Inlet Manifold	KPSY0030	1
6.	Hose Clamp, 1 3/4"	5-5220	2
7.	1 1/2" Heater Duct/Creet Hose	CREET HOSE	12 in
8.	Retainer Ring	H-RR	1
9.	Inner Vent Tube, 1.5" x .035 x 3" *	KAAC0030-1	0
10.	Heater Lexan Ring	KPSY0014	2
11.	1/8" Small Brass Washer	AN960-B4	4
12.	Outer Vent Tube, 1.625" x .058 x 1.5" *	KAAC0030-2	0
13.	End Cap	KPSY0045	1
14.	Muffler Heater - Raw Stock Kit	KAAC0030	1

*Builder must fabricate from Raw Stock.



RRRMMMS S-4 & S-5 COYOTE
 OPTIONAL ELECTRIC STARTER CLOSE OUT

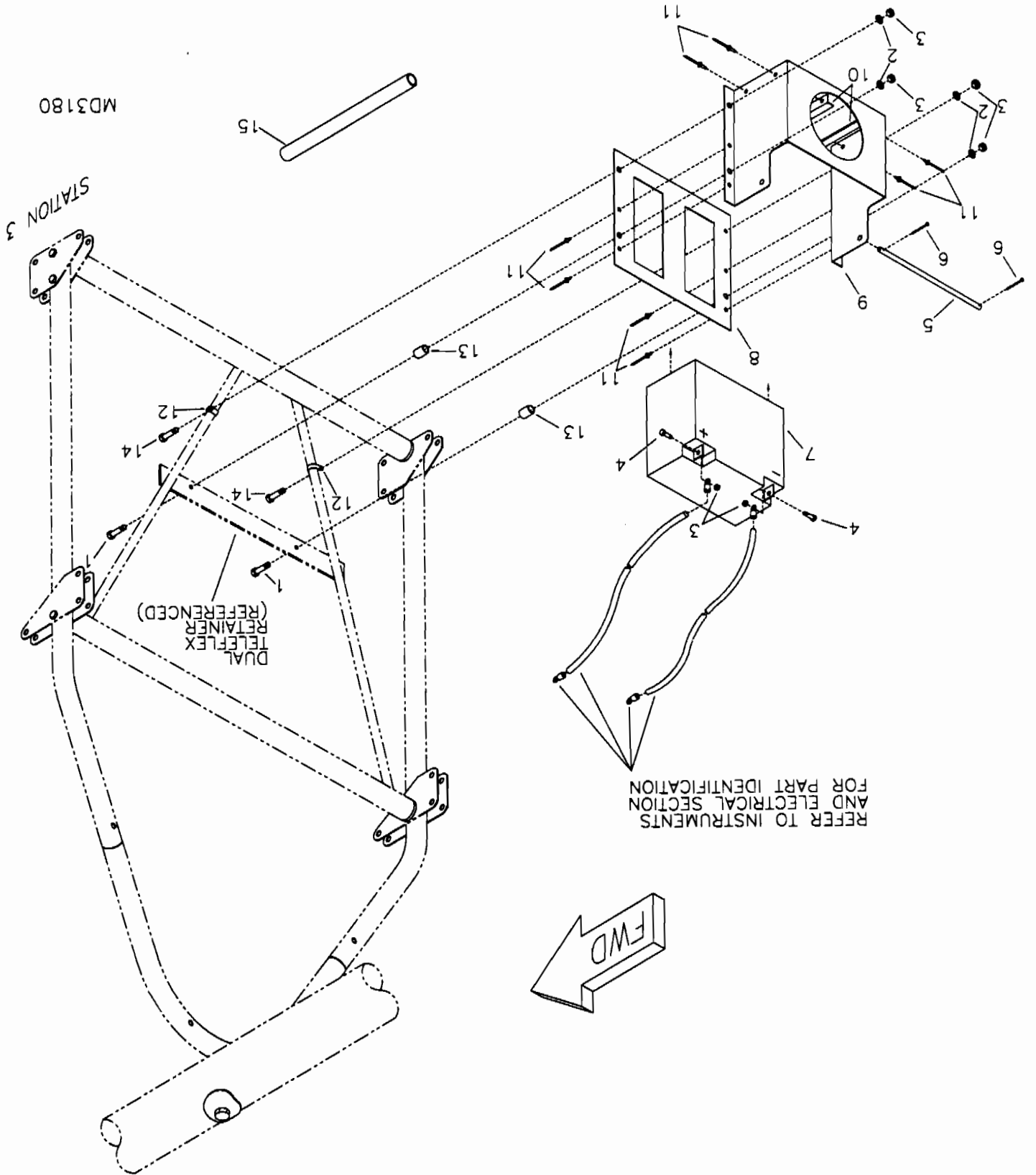
MD3188

S-4 & S-5 Coyote I - Optional Electric Starter Close Out
With Electric Starter

#	DESCRIPTION	PART NUMBER	QUANTITY
1.	Electric Starter Cover	KPES0006	1
2.	1/8" Aluminum Pop Rivet - Avex	1691-0410	30
3.	Angle Bracket - Starter Cover *	S-SCA	2

*Builder must modify. Refer to text for instructions.

RRMS S-4 & S-5 COYOTE BATTERY BOX ASSEMBLY AND INSTALLATION



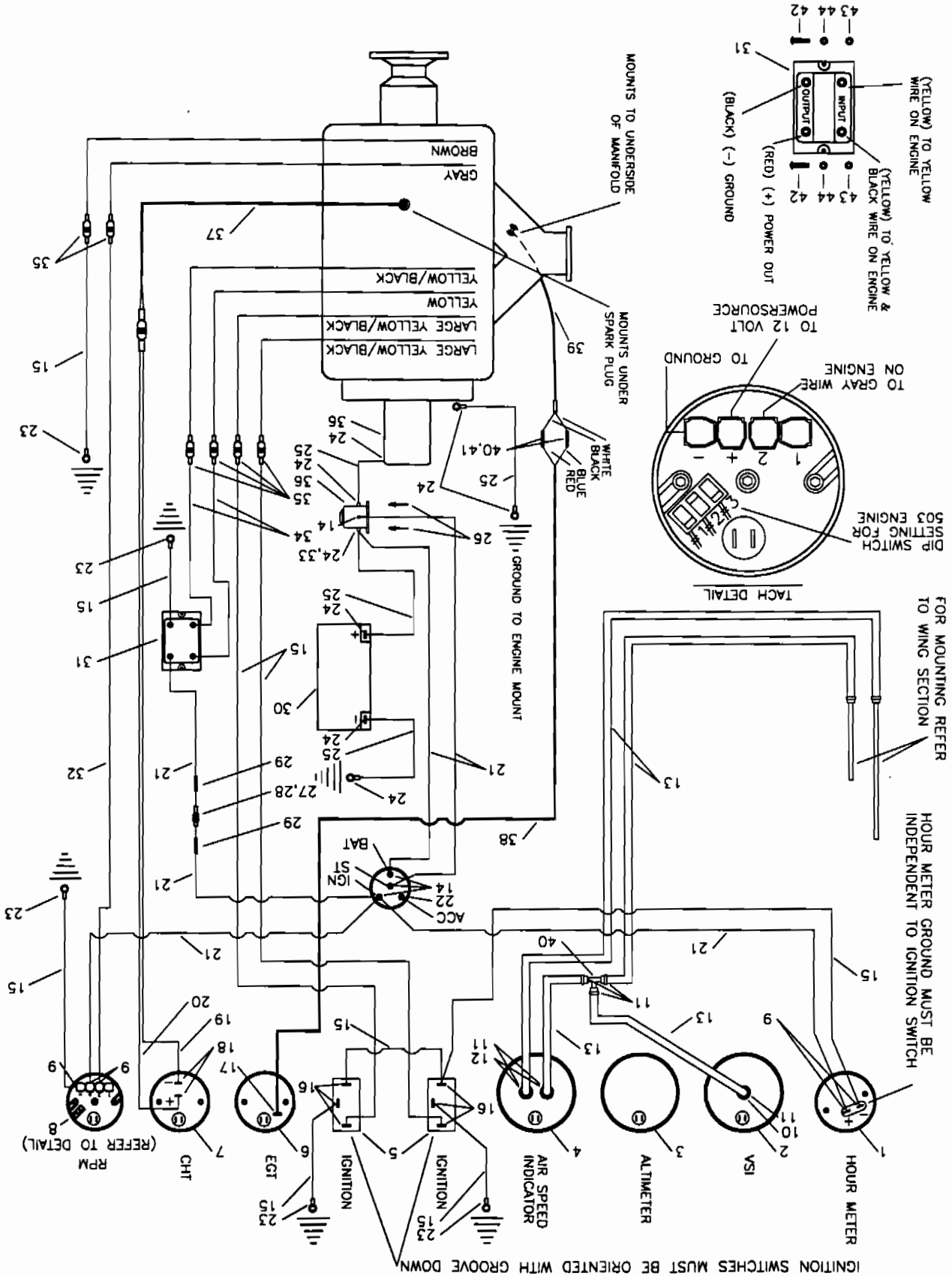
S-4 & S-5 Coyote I - Optional Battery Box Assembly & Installation

#	DESCRIPTION	PART NUMBER	QUANTITY
1.	3/16" Bolt	AN3-10A	2
2.	3/16" Thin Washer	AN960-10L	4
3.	3/16" Shear Nut	AN364-1032A	6
4.	3/16" Bolt	AN3-3A	2
5.	Battery Bar	BAT-BAR-503/582	1
6.	Small Cotter Pin	MS24665-134	2
7.	Battery	PS12150-NB	1
8.	Battery Box Mount Plate	BAT-BOX-2	1
9.	Battery Box Side Plate	BAT-BOX-1	1
10.	Battery Box Support Angle	BAT-BOX-3	2
11.	1/8" Aluminum Pop Rivet - Cherry Q	AAPQ-42	8
12.	1/2" Cushioned Tube Clamp	MS21919-DG8	2
13.	Aluminum Bushing, 3/8" x .058 x 9/16" *	KAAC0013-1	0
14.	3/16" Bolt	AN3-4A	2
15.	Battery Box Raw Stock Kit	KAAC0013	1

*Builder must fabricate from Raw Stock.

REARMS S-4 & S-5 COYOTE 503 INSTRUMENTS AND ELECTRICAL WITH ELECTRIC START OPTION

MD3186
REV. A



S-4 & S-5 Coyote I - Optional 503 Instruments & Electrical - With Electric Start

NOTE: Gauges may vary, consult directions provided with gauge for wiring diagram.

#	DESCRIPTION	PART NUMBER	QUANTITY
1.	Hour Meter	KSPW0022	1
2.	Vertical Speed Indicator - Feet per Minute *	KSAV0008	1
2.	Vertical Speed Indicator - Meters per Second *	KSAV0009	1
3.	Altimeter *	KSAV0001	1
3.	Altimeter with Window *	KSAV0002	1
3.	Altimeter with Millibar - Metric *	KSAV0003	1
4.	Air Speed Indicator, 0-120	KSAV0004	1
5.	Ignition Switch	MS35058-23	2
6.	Exhaust Gas Temperature Gauge *	KSPW0008	1
7.	Cylinder Head Temperature Gauge *	KSPW0010	1
8.	RPM Gauge	KSPW0028	1
9.	14 Gauge Female Spade Terminal, Blue	IP-7128	5
10.	90 Withdrawal Fitting	8342	1
11.	Line Clamp, 3/8"	FS-LCL 3/8	6
12.	Straight Withdrawal Fitting	8330	2
13.	1/4" Fuel/Pitot/Static Line, Blue	FS-FL	26 ft
14.	14 Gauge Eye Terminal, Blue 3/16"	IP-7102	7
15.	14 Gauge Black Wire	14 GA WIRE/BLACK	20 ft
16.	14 Gauge Eye Terminal, Blue 5/32"	KSES0003	6
17.	EGT End Plug **	KSPW0008-1	0
18.	Female Terminal ***	KSPW0010-1	0
19.	CHT Wire, Black ***	KSPW0010-4	0
20.	CHT Wire, Red ***	KSPW0010-2	0
21.	14 Gauge Red Wire	14 GA WIRE/RED	18 ft
22.	Key Start Switch	25-6	1
23.	14 Gauge Eye Terminal, Blue 1/4"	1/4 EYE 14 GA	4
24.	4 Gauge Eye Cable Terminal	4 GA CABLE LUG	8
25.	4 Gauge Battery Cable, Black Wire	4 GA WIRE/BLACK	20 ft
26.	3/16" Aluminum Pop Rivet - Cherry Q	AAPQ-64	2
27.	14 Gauge, In Line Fuse Holder	KSES0019	1
28.	25 AMP Fuse	KSES0020-25	1
29.	14 Gauge Splice, Butt Connector	IP-7132	2
30.	Battery ****	PS12150-NB	0
31.	Regulator/Rectifier	KSES0005	1
32.	14 Gauge White Wire	14 GA WIRE/WHITE	7 ft
33.	14 Gauge Eye Terminal, Blue 5/16"	5/16 I TERM	1
34.	14 Gauge Yellow Wire	14 GA WIRE/YELLOW	6 ft
35.	14 Gauge Male Spade Terminal, Blue	IP-7126	6
36.	Electric Starter Kit (503)	MESK-1-503	1
37.	CHT Probe ***	KSPW0010-3	0
38.	EGT Wires **	KSPW0008-2	0

*Optional Gauge.

**Supplied with EGT.

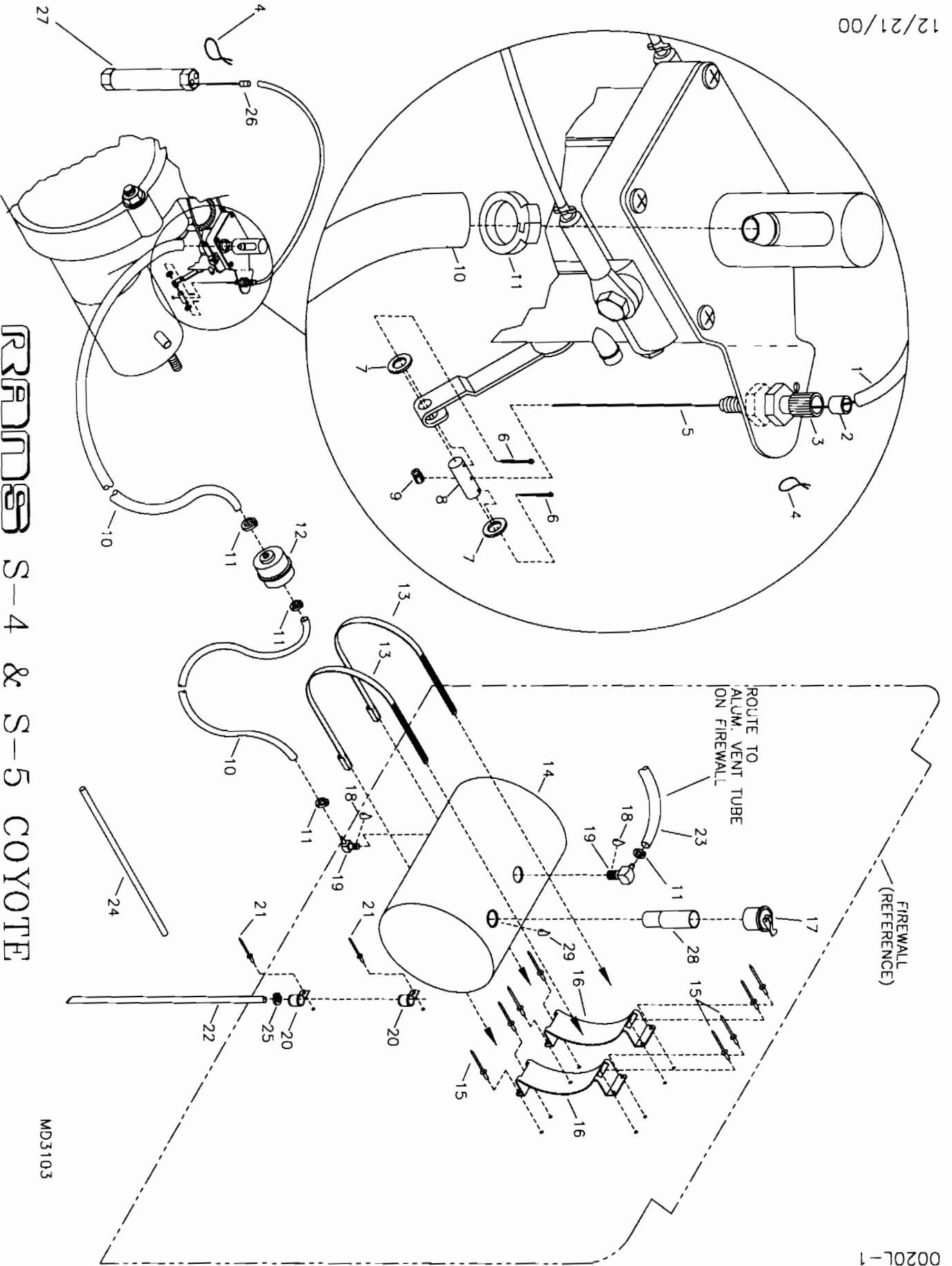
***Supplied with CHT.

****Referenced from battery box installation.

S-4 & S-5 Coyote I - Optional 503 Instruments & Electrical (Cont)
With Electric Starter

#	DESCRIPTION	PART NUMBER	QUANTITY
39.	EGT Probe **	KSPW0008-3	0
40.	Female Bullet Terminal	02-09-1103	4
41.	Shrink Wrap	KSAC0009	1 ft
42.	Pan Head Phillip Bolt	KSHW0006	2
43.	3/16" Shear Nut	AN364-1032A	2
44.	3/16" Large Wood Washer	AN970-3	2

*Optional Gauge. **Supplied with EGT.
***Supplied with CHT.
****Referenced from battery box installation.



RRR S-4 & S-5 COYOTE
 OPTIONAL 503 OIL INJECTION SYSTEM

MD3103

S-4 & S-5 Coyote I - Optional 503 Oil Injection System

#	DESCRIPTION	PART NUMBER	QUANTITY
1.	Throttle Cable Housing **	T-CAB-H	0
2.	Cable Ferrule Cap **	ENDCAP-12000	0
3.	Adjustable Cable Ferrule	12553	1
4.	Safety Wire	SAFETY WIRE	0
5.	Throttle Cable **	EG-T-CAB	0
6.	Small Cotter Pin	MS24665-134	2
7.	5/16" Thin Washer	AN960-516L	2
8.	Steel Tube, 5/16" x .035 x 3/4" *	KAAC0019-2	0
9.	Wire Stop/Screw	2360	1
10.	1/4" Blue Fuel Line	FS-FL	3 ft
11.	Line Clamp, 3/8"	FS-LCL 3/8	5
12.	Oil Filter	414-5365	1
13.	Hose Clamp	5-5288	2
14.	Oil Tank	OI-TANK-A	1
15.	1/8" Stainless Steel Pop Rivet - Cherry Q	CCPQ-42	8
16.	Oil Tank Mount	KPPW0081	2
17.	7/8" Expansion Cap	2598K29	1
18.	Loctite Blue	LOC-TITE	0
19.	90 Withdrawal Fitting	8342	2
20.	Conduit Clamp	S1-CC	2
21.	3/16" Aluminum Pop Rivet - Cherry Q	AAPQ-62	2
22.	Aluminum Tube, 1/4" x .028 x 12" *	KAAC0019-1	0
23.	1/4" Clear Fuel line	KSFS0008	2 ft
24.	503 Oil Injection - Raw Stock Kit	KAAC0019	1
25.	Line Clamp, 5/16" I.D.	FS-LCL 5/16ID	1
26.	Stepped Ferrule **	----	0
27.	Throttle Splitter Assembly (Single Carb)	KAPW0004	1
27.	Throttle Splitter Assembly (Dual Carb)	KAPW0018	1
28.	Oil Bottle Extension	KPPW0182	1
29.	Five Minute Epoxy Glue ***	----	0

*Builder must fabricate from Raw Stock.

**Supplied with Throttle Splitter Kit.

***Builder must provide.