



(page 1 of 2)

**Assembly Alert: 147**

**Date: December 12, 2000**

**Subject: Steer Cam**

**Compliance: Voluntary**

**Models Effected: S-16 Shekari**

It has been determined that increasing the length of the nose gear steer horn is beneficial to ground handling.

It is recommended to fabricate and install ¼" thick 4130 steel plates, as per **Figure 1**, or purchase from our parts department for \$20.00.

Assembly parts, packing list & instructions:

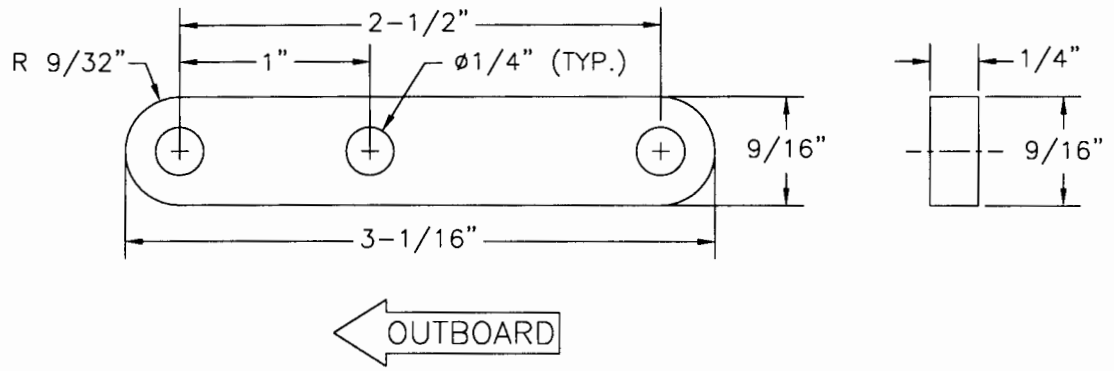
#	Description	Part Number	Qty
1.	Steer Cam Extension	KPNG0078	2
2.	¼" Bolt	AN4-6A	4
3.	Steer Horn	Supplied with Kit	0
4.	¼" Thin Washer	AN960-416L	4
5.	¼" Shear Nut	AN364-428A	4

Bolt plates to horn, line up parallel to aft edge. Drill and bolt, see **Figure 2**.

Contact our parts department to order any needed parts.

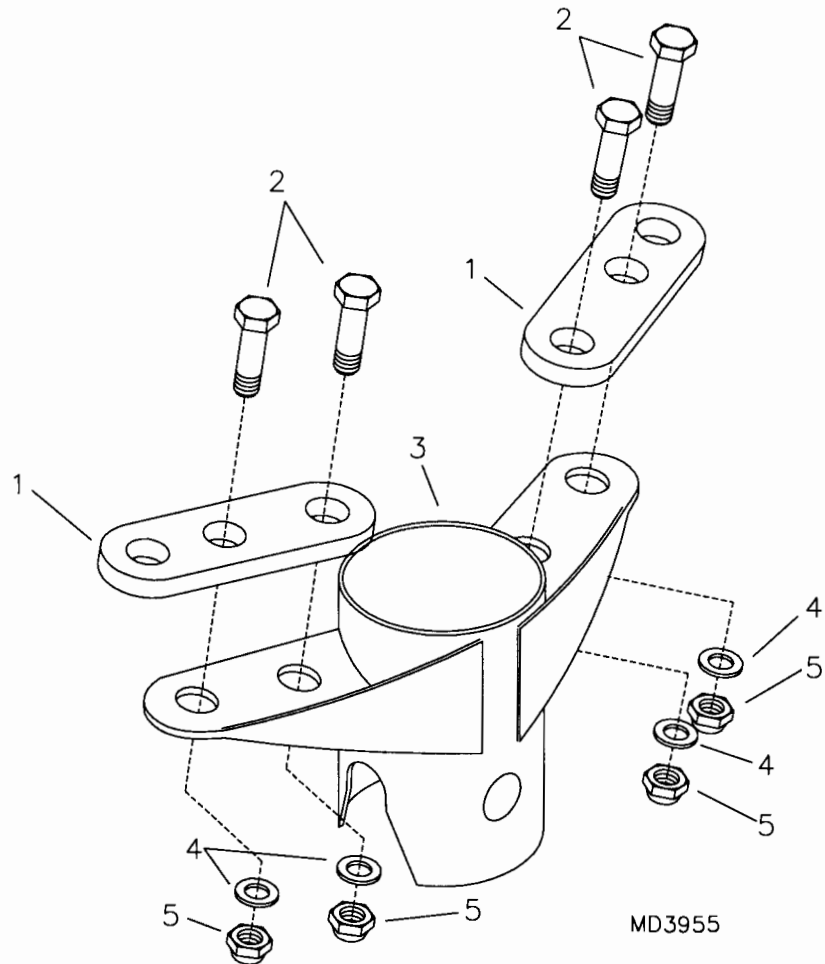
Thank you for your attention to this matter. Hopefully we have not inconvenienced you to any great degree. Fly safe!

FIGURE 1



MD3955

FIGURE 2



MD3955