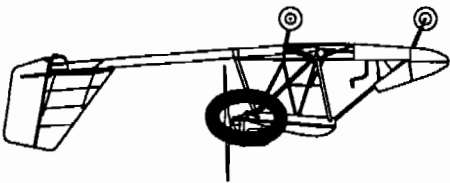
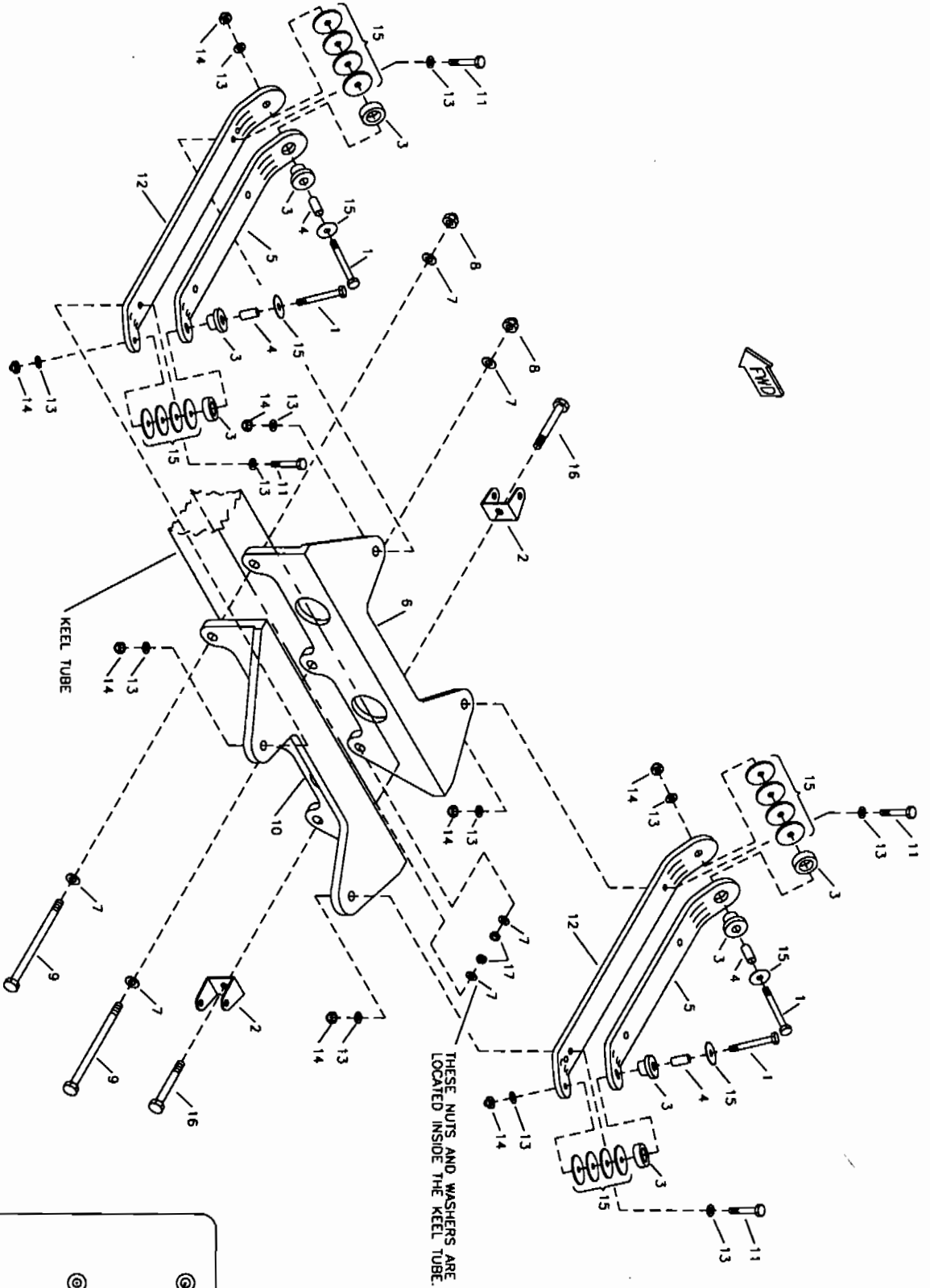


RRMS S-12 AIRRALE

Made in the USA



582 ENGINE MOUNT ASSEMBLY

DETAIL:

582 ENGINE, INSTRUMENTATION, AND ELECTRICAL

SECTION:

NOTES:

Section:

582 ENGINE, INSTRUMENTATION & ELECTRICAL SYSTEMS

Detail:

582 ENGINE MOUNT ASSEMBLY

Page:
04-02

Date:
7/25/96

#	Description	Part Number	Quantity
1.	1/4" Bolt	AN4-25A	4
2.	Stainless Steel U Bracket	SU-118	2
3.	Barry Mount	22001	4
4.	Spacer Bushing, 1 1/8" X 3/8" X .058	EG-B-3/8X1 1/8	4
5.	Engine Upper Mount Plate	KPPW0063	2
6.	Engine Mount Angle, RH	KPPW0040-RH	1
7.	5/16" Thin Washer	AN960-516L	7
8.	5/16" Shear Nut	AN364-524A	2
9.	5/16" Bolt	AN5-31A	2
10.	Engine Mount Angle, LH	KPPW0040-LH	1
11.	1/4" Bolt	AN4-12A	4
12.	Engine Lower Mount Plate	KPPW0064	2
13.	1/4" Thick Washer	AN960-416	12
14.	1/4" Tensile Nut	AN365-428A	8
15.	1/8" Aluminum Washer	EG-AW	20
16.	5/16" Bolt	AN5-10A	2
17.	5/16" Tensile Nut	AN365-524A	2

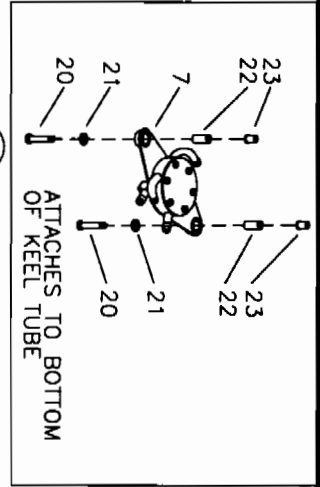
RANS, Inc.
S-12 Airaile

dBase Page #:
005-2

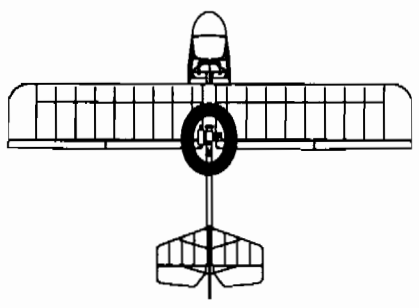
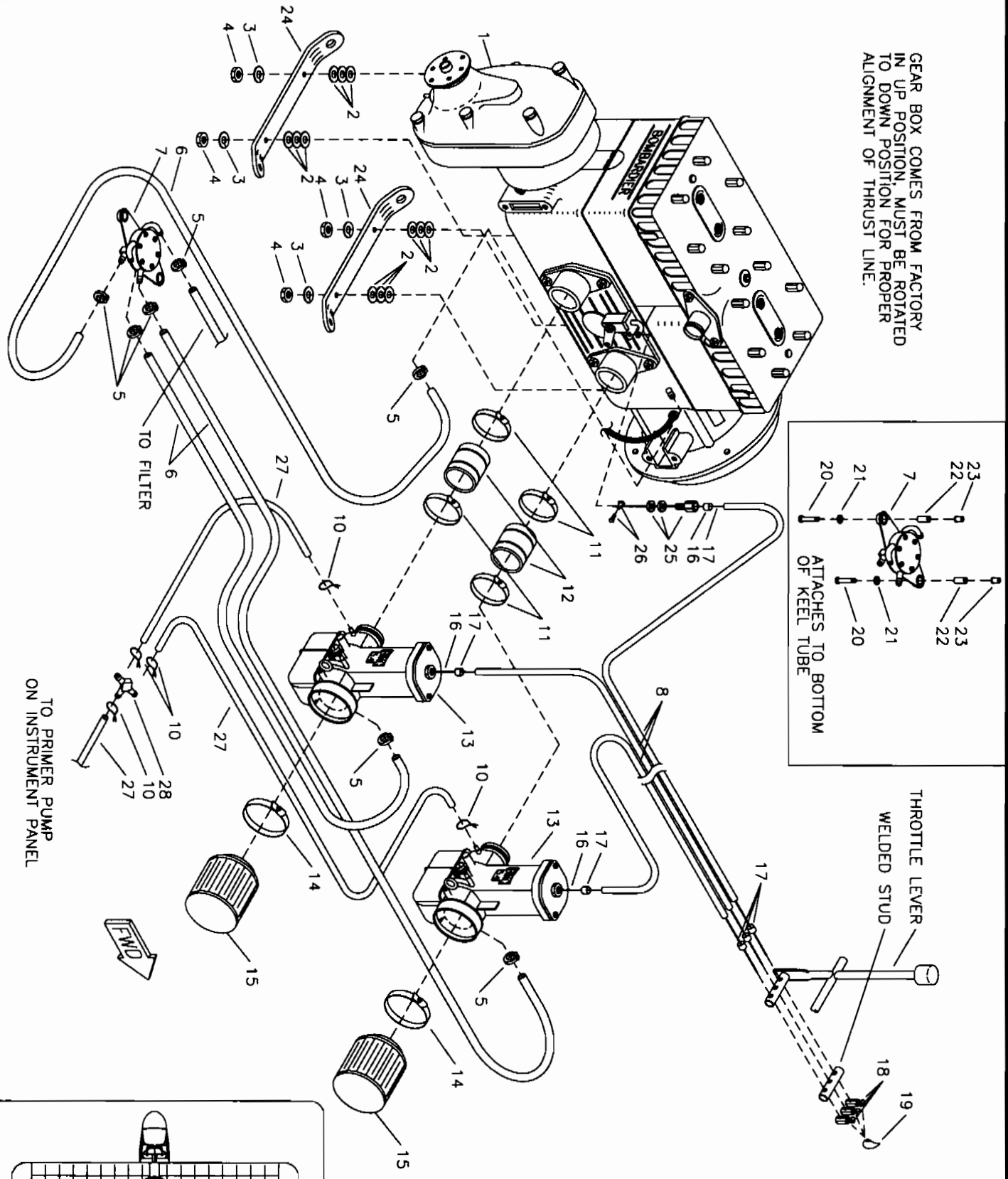
RAMS S-12 AIRRALE

Made in the USA

GEAR BOX COMES FROM FACTORY IN UP POSITION, MUST BE ROTATED TO DOWN POSITION FOR PROPER ALIGNMENT OF THRUST LINE.



THROTTLE LEVER WELDED STUD



SECTION: 582 ENGINE, INSTRUMENTATION, AND ELECTRICAL
 DETAIL: 582 ENGINE

NOTES:

04-03

PAGE

Section:**582 ENGINE, INSTRUMENTATION & ELECTRICAL SYSTEMS****Detail:****582 ENGINE****Page:**

04-04

Date:

5/ 1/97

#	Description	Part Number	Quantity
1.	Rotax 582 Engine	EG-EG-582	1
2.	7/16" Thick Washer	AN960-716	12
3.	Loc Washer *	EG-EG-582-1	4
4.	Nut *	EG-EG-582-2	4
5.	Line Clamp, 5/16" ID	FS-LCL 5/16ID	7
6.	1/4" Fuel Line **	FS-FL	0 ft
7.	Fuel Pump *	EG-EG-582-3	1
8.	Cable Housing	EG-T-CAB-H	27 ft
9.	Primer Pump Kit	DUAL PRIMER	1
10.	Safety Wire	SAFETY WIRE	0 ft
11.	Carb Clamp *	EG-EG-582-4	4
12.	Carb Boot *	EG-EG-582-5	2
13.	Bing Carburetor *	EG-EG-582-6	2
14.	Air Filter Clamp *	EG-EG-582-7	2
15.	Air Filter, K & N	EG-AF	2
16.	Throttle Cable	EG-CAB-12	3
17.	Cable Ferrule Cap	ENDCAP-12000	6
18.	Wire Stop Screw	2360	3
19.	Loctite Blue	LOC-TITE	0
20.	3/16" Bolt	AN3-15A	2
21.	3/16" Thick Washer	AN960-10	2
22.	Spacer Bushing, 3/8" X .058 X 1" *****	KAAC0001	2
23.	3/16" Rivet Nut	MS27130-A25K	2
24.	Focal Mount Plate ***	EG-FOMP	0 ft
25.	Adjustor Cable Ferrule	2373	1
26.	Wire Swivel Stop Screw	2361	1
27.	1/8" Primer Line *****	PRIMER LINE	0 ft
28.	Primer Line Tee *****	PRIME-LINE-T	0

*Comes with engine.

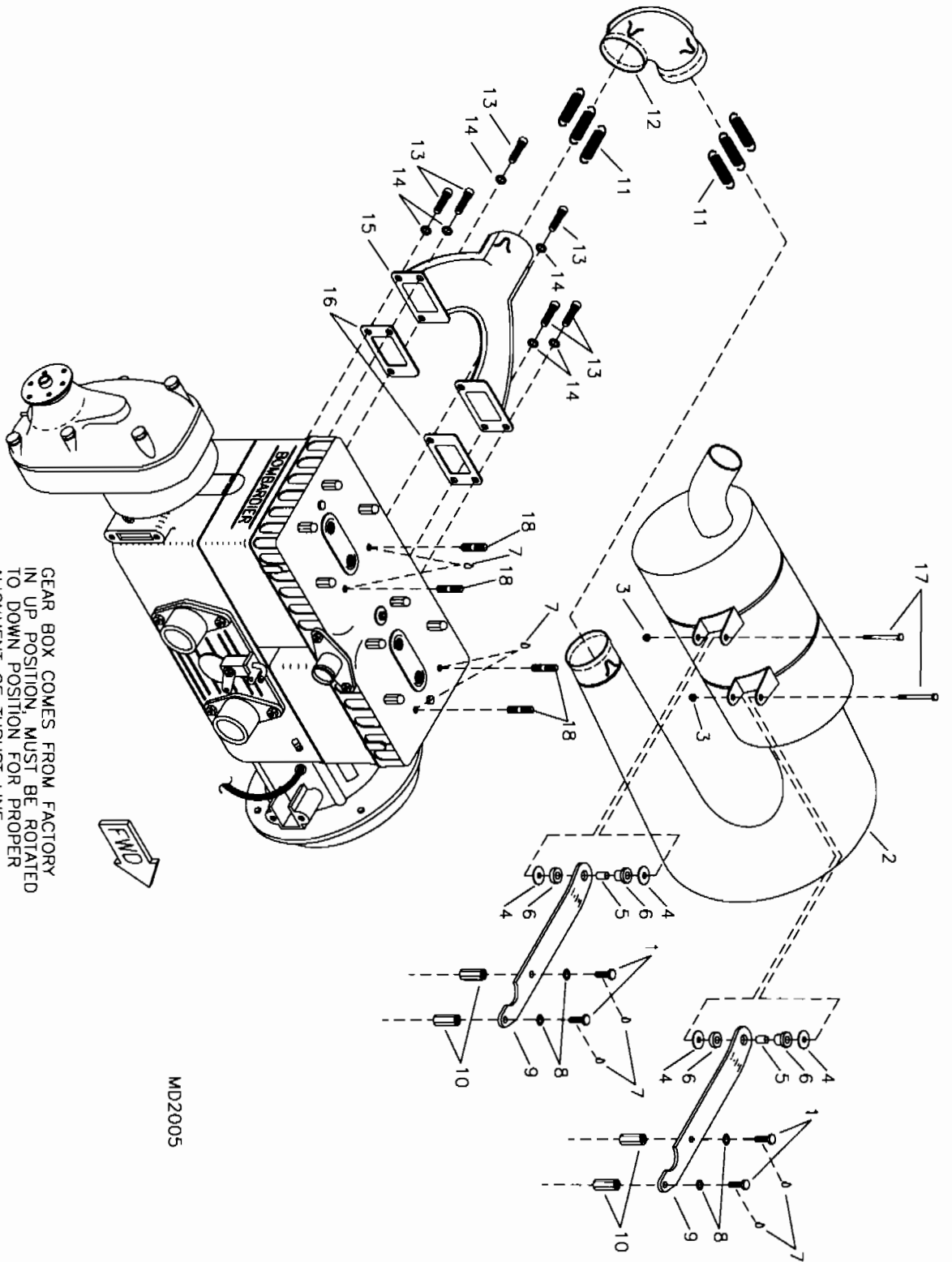
Referenced from fuel system. *Referenced from engine mount.

****Builder fabricates from raw stock kit. ***** Comes with primer kit.

RANS, Inc.
S-12 Airaile

dBase Page #:

005-4



GEAR BOX COMES FROM FACTORY
 IN UP POSITION, MUST BE ROTATED
 TO DOWN POSITION FOR PROPER
 ALIGNMENT OF THRUST LINE.

MD2005

**RR-12 AIRFRAME
 582 EXHAUST ASSEMBLY**

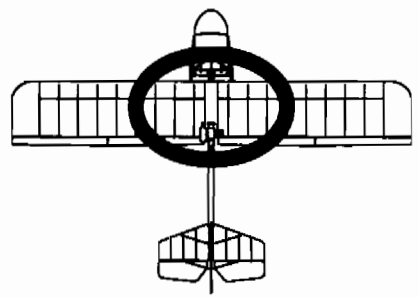
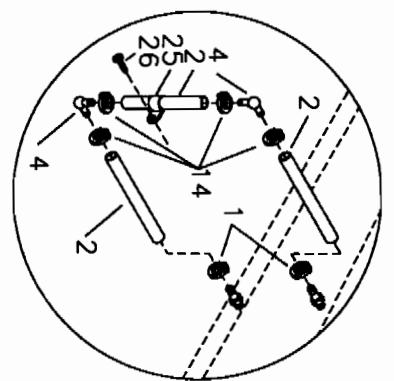
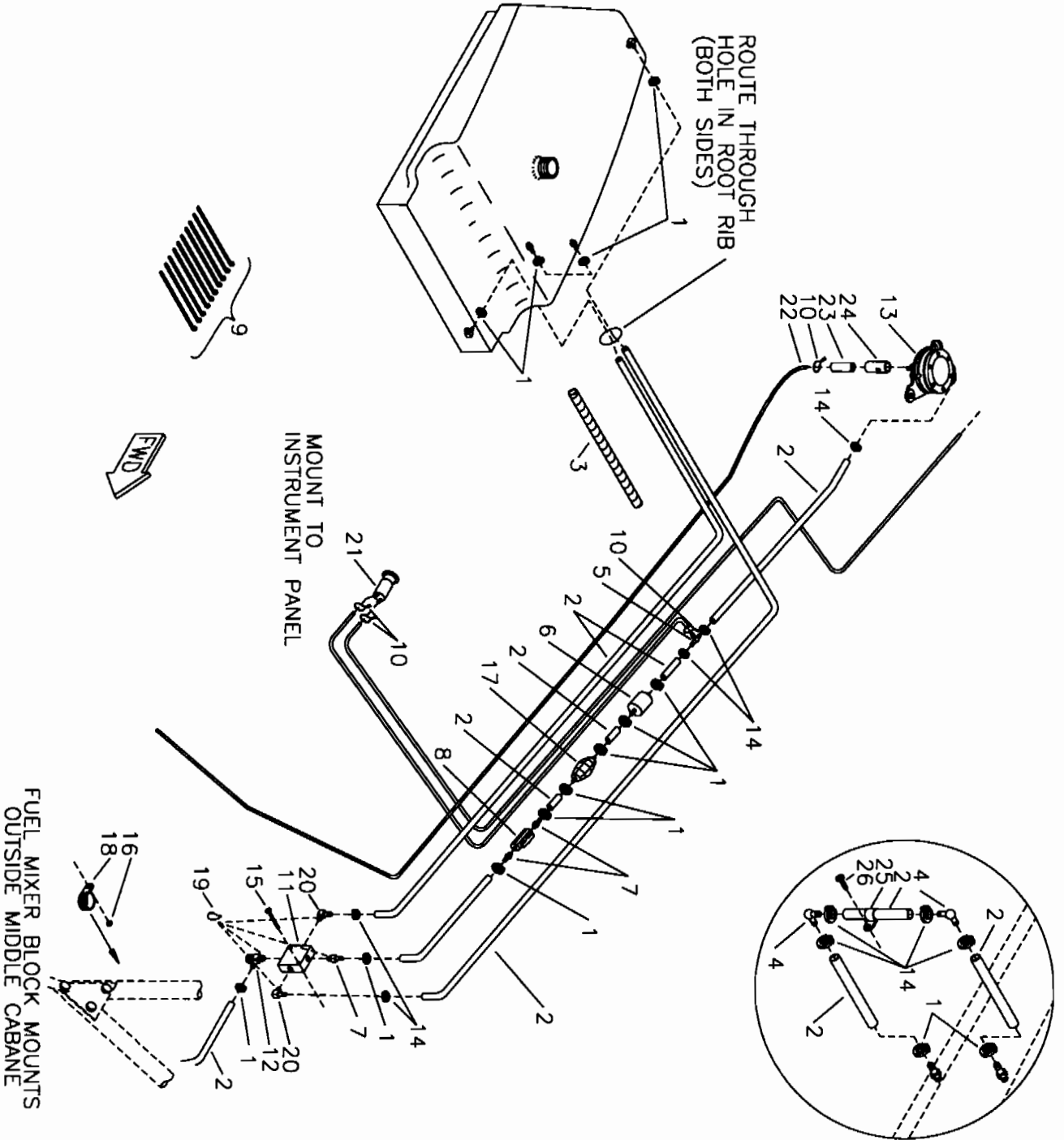
S-12XL AIRAILE - 582 EXHAUST ASSEMBLY

#	DESCRIPTION	PART NUMBER	QUANTITY
1.	8MM x 20 Bolt	M8X20 BOLT	4
2.	Muffler, 582	KAEX0006	1
3.	1/4" Shear Nut	AN364-428A	2
4.	1/8" Aluminum Washer	EG-AW	4
5.	Spacer Bushing, 1 1/8" x 3/8" x .058	EG-B-3/8X1 1/8	2
6.	Barry Mount	22001	2
7.	Loctite Blue	LOC-TITE	0
8.	5/16" Loc Washer	AN935-516	4
9.	582 Muffler Mount Plate	EG-582MP	2
10.	8MM x 25 Stand Off	M8X25 SO	4
11.	Muffler Spring, 582	KSEX0002	6
12.	Muffler Elbow, 582	KAEX0005	1
13.	10MM Shoulder Screw *	----	0
14.	10MM Loc Washer *	----	0
15.	Exhaust Manifold, 582	KSEX0007	1
16.	Exhaust Gasket *	----	0
17.	1/4" Bolt	AN4-22A	2
18.	8mm x 79 Stud **	941-390	4

*Supplied with engine.

**Remove bolts from head and install studs with Loc-tite.

Consult engine manual for proper torque values.



SECTION: 582 ENGINE, INSTRUMENTATION, AND ELECTRICAL

DETAIL: 582 FUEL SYSTEM - SINGLE WING TANK

Section:**582 ENGINE, INSTRUMENTATION & ELECTRICAL SYSTEMS****Detail:****582 FUEL SYSTEM
SINGLE WING TANK****Page:**

04-08

Date:

11/27/95

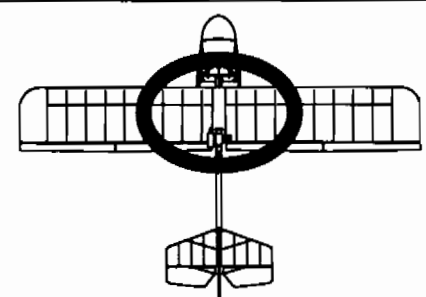
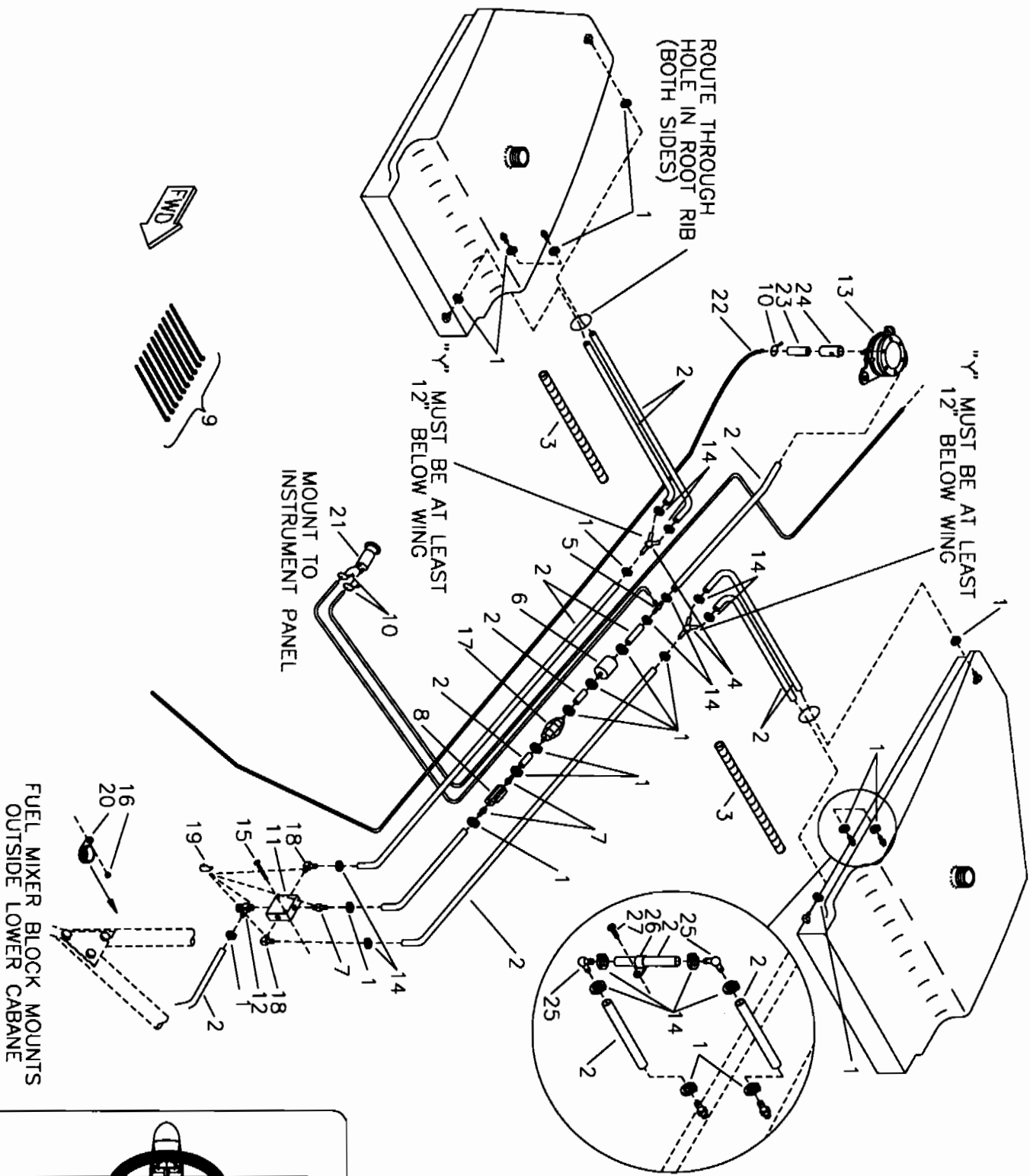
#	Description	Part Number	Quantity
1.	Line Clamp, 3/8"	FS-LCL 3/8	11
2.	1/4" Fuel Line	FS-FL	25 ft
3.	Coil Wrap	1/2 SPIRAL LOOM	1 ft
4.	1/4" X 1/4" Elbow	7-11044	2
5.	Primer Line T*	PRIME-LINE-T	0
6.	Fuel Filter	FS-FIL	1
7.	Straight Fitting	8330	3
8.	Fuel Shut Off Valve	FS-S-OFF	1
9.	Zip Ties	ZIP TIES	10
10.	Safety Wire	SAFETY WIRE	0
11.	Fuel Mixer Block	FS-FMB	1
12.	Sump Drain Valve	8336	1
13.	Fuel Pump**	EG-EG-503-3	0
14.	Line Clamp, 5/16"	FS-LCL 5/16ID	8
15.	8 X 32 Bolt	AN526-832R16	1
16.	8 X 32 Nut	AN364-832A	1
17.	Primer Bulb	FS-PB	1
18.	1" Cushioned Clamp	MS21919-DG16	1
19.	Loctite Blue	LOC-TITE BLUE	0
20.	90 Fitting	8342	2
21.	Primer Pump*	PRIME-PUMP	0
22.	Primer Line	PRIME LINE	6 ft
23.	Overflow Hose	EGCS-OFH	6 in
24.	Shrink Wrap	KSAC0006	5 in
25.	3/8" Loop Clamp	KSHW0015	1
26.	#6 Pan Head Screw	6RX1/2 PHS	1

*Comes with primer kit.

**Comes with engine.

**RANS, Inc.
S-12 Airaile****dBase Page #:**

005-8



FUEL MIXER BLOCK MOUNTS
OUTSIDE LOWER CABANE

MOUNT TO
INSTRUMENT PANEL

582 FUEL SYSTEM - DUAL
WING TANKS

SECTION: 582 ENGINE, INSTRUMENTATION, AND ELECTRICAL

Section:

582 ENGINE, INSTRUMENTATION & ELECTRICAL SYSTEMS

Detail:

**582 FUEL SYSTEM
DUAL WING TANKS**

Page:

04-10

Date:

2/13/96

#	Description	Part Number	Quantity
1.	Line Clamp, 3/8"	FS-LCL 3/8	24
2.	1/4" Fuel Line	FS-FL	45 ft
3.	Coil Wrap	1/2 SPIRAL LOOM	2 ft
4.	Line Y	8345	2
5.	Primer Fuel Line T*	PRIME-LINE-T	0
6.	Fuel Filter	FS-FIL	1
7.	Straight Withdrawl Fitting	8330	3
8.	Fuel Shut Off Valve	FS-S-OFF	1
9.	Zip Ties	ZIP TIES	10
10.	Safety Wire	SAFETY WIRE	0
11.	Fuel Mixer Block	FS-FMB	1
12.	Sump Valve	8336	1
13.	Fuel Pump**	EG-EG-503-3	0
14.	Line Clamp, 5/16" I.D.	FS-LCL 5/16ID	12
15.	8 X 32 Bolt	AN526-832R16	1
16.	8 X 32 Nut	AN364-832A	1
17.	Primer Bulb	FS-PB	1
18.	90 Withdrawl Fitting	8342	2
19.	Loctite Blue	LOC-TITE BLUE	0
20.	1" Cushioned Clamp	MS21919-DG16	1
21.	Primer Pump*	PRIME-PUMP	0
22.	1/8" Primer Line	PRIME LINE	6 ft
23.	Overflow Hose	EGCS-OFH	1 ft
24.	Shrink Wrap	KSAC0006	5 in
25.	1/4" X 1/4" Elbow	7-11044	4
26.	3/8" Loop Clamp	KSHW0015	2
27.	#6 Pan Head Screw	6RX1/2 PHS	2

*Comes with primer kit.

**Comes with engine.

**RANS, Inc.
S-12 Airaile**

dBase Page #:

005-10

S-12XL AIRAILE - 582 OIL INJECTION TANK & MOUNT

#	DESCRIPTION	PART NUMBER	QUANTITY
1.	Oil Tank	KPPW0021	1
2.	Fuel Cap	KSFS0007	1
3.	Tank Withdrawal Fitting	KPFS0017	1
4.	Loctite Blue	LOC-TITE	0
5.	O-Ring	KSFS0009	1
6.	1/4" Shear Nut	AN364-428C	1
7.	3/16" Truss Head Bolt	AN526-C1032R12	2
8.	3/16" Shear Nut	AN364-1032A	2
9.	Oil Injection Tank Clamp	KAPW0013	2
10.	7/16" Black Fuel Line	KSFS0005	16 in
11.	Oil Tank Mount	OI-OTMT	1
12.	Rubber Hose	OI-RH3/4	4
13.	Rubber Hose	OI-RH7/16	4
14.	3/16" Large Washer *	AN970-3	4
15.	8MM x 35MM Bolt	M8X35	4
16.	5/16" Black Fuel Line	KSFS0003	24 in
17.	Small Hose Clamp	5-6202	4
18.	Zip Ties	ZIP TIES	5
19.	Oil Filter	414-5365	1
20.	Bead Chain - Retainer Sleeve	KSHW0014	1
21.	#3 Bead Chain	KSHW0012	7 in
22.	1/8" Stainless Steel Pop Rivet - Cherry Q	CCPQ-44	1
23.	Bead Chain - End Coupling	KSHW0013	1
24.	Plastic Retainer	KPFS0012	1
25.	1/8" Small Brass Washer	AN960-B4	1
26.	Rubber Washer	KSFS0010	1
27.	1/2" Thick Washer	AN960-816	1
28.	Plastic Baffle ***	KSFS0012	0
29.	Nut-Flared Tube Bulkhead	AN924-5D	1
30.	Thread Sealant **	KSAC0014	0
31.	90 Withdrawal Fitting	3-83125	1
32.	Vent Tube	KPFS0020	1
33.	Conduit Adjuster Assembly	KSFS0014	1
34.	1/4" Plain Nut	AN345-416	1
35.	Rubber Gasket ***	KSFS0013	0
36.	1/4" Large Washer	AN970-4	1

*Will need to be drilled out to accept an 8mm bolt (5/16 drill bit is acceptable).

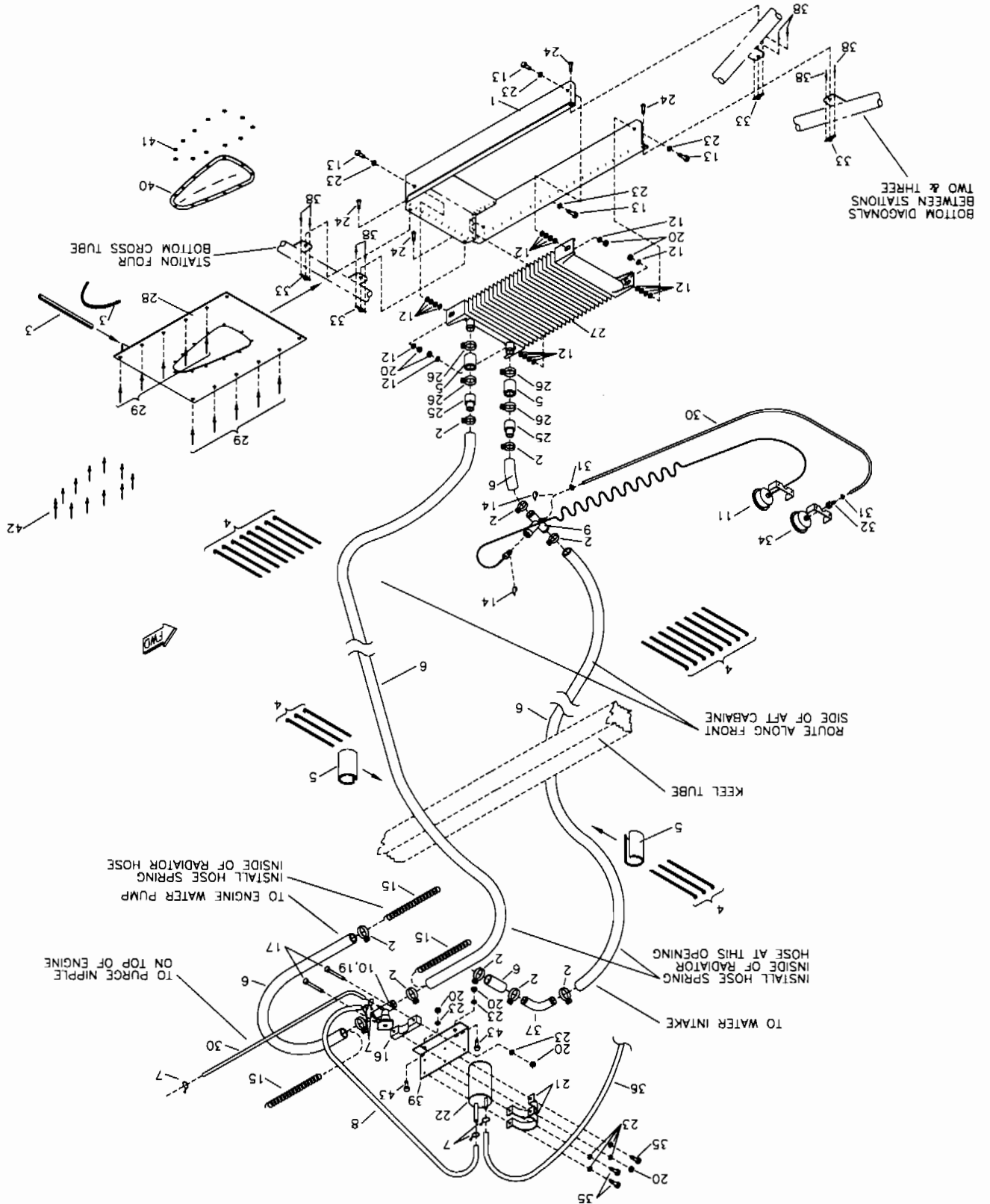
**Builder Supplied.

***Supplied with Fuel Cap.

RRMS S-12 AIRRAIL 582 COOLING SYSTEM MINI-POD OR PARTIAL ENCLOSURE

11/26/01

MD2231
REV. A

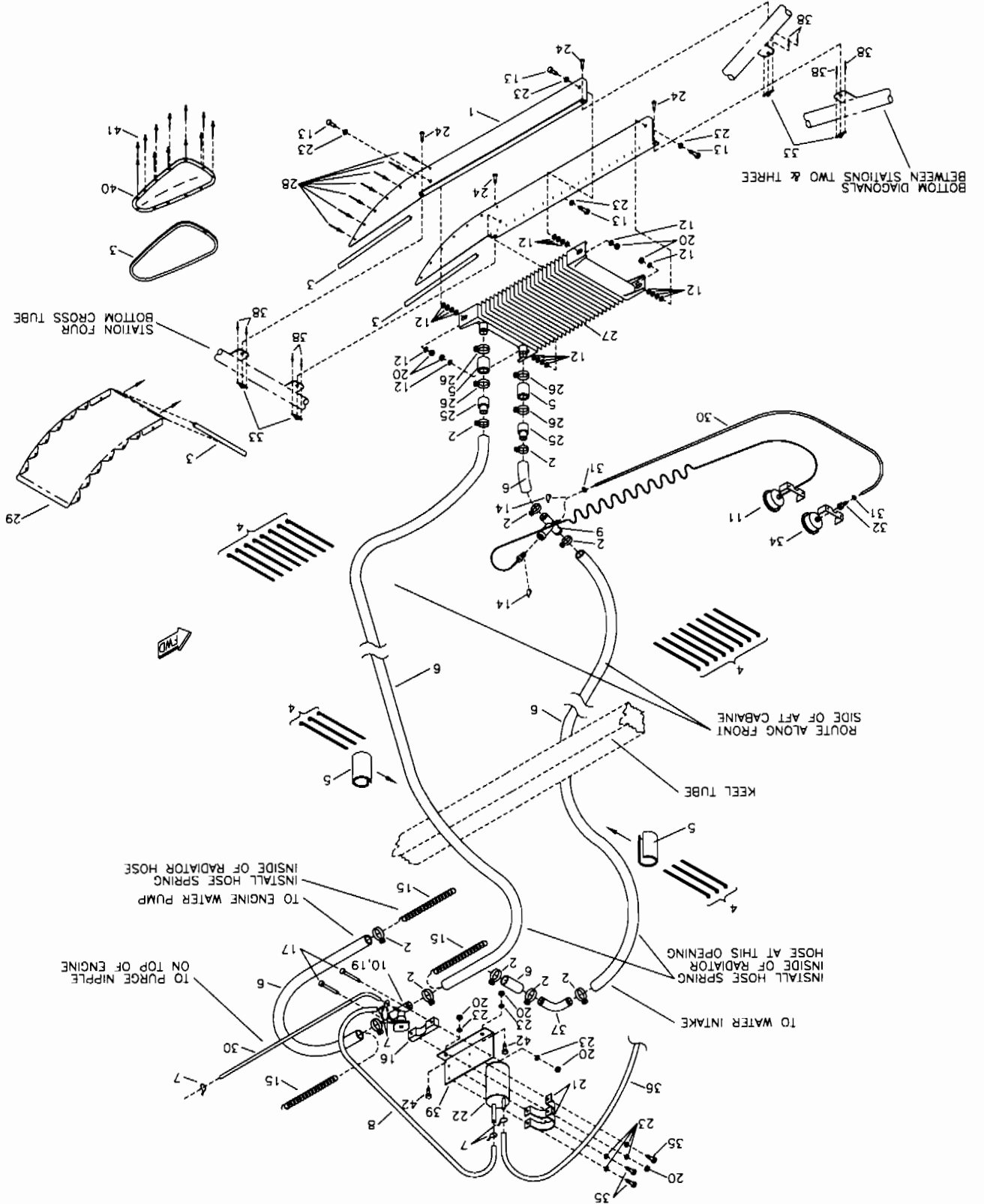


S-12XL AIRAILE - 582 COOLING SYSTEM**MINI-POD OR PARTIAL ENCLOSURE**

#	DESCRIPTION	PART NUMBER	QUANTITY
1.	Short Style Cooling Scoop	EGCS-SSCOOP	1
2.	Hose Clamp, 1 1/2"	5-5216	8
3.	Rubber Edging	X1011	36 in
4.	Zip Ties	ZIP TIES	20
5.	1 1/4" Radiator Hose	EGCS-RHOSE	4
6.	1" Radiator Hose	RADIATOR HOSE	15 ft
7.	Safety Wire	SAFETY WIRE	0 ft
8.	5/16" Overflow Hose	EGCS-OFH	12 in
9.	1/8" Aluminum Pop Rivet - Cherry Q	AAPQ-42	12
10.	16 lb Pressure Cap	EGCS-CAP16	1
11.	Water Temperature Gauge	KSPW0016	1
12.	3/16" Plastic Washer	PW-3	20
13.	3/16" Bolt	AN3-6A	6
14.	Loctite Blue	LOC-TITE	0
15.	Hose Spring	EGCS-HS	4
16.	Mount Block	EGCS-FNMPVC	1
17.	3/16" Bolt	AN3-14A	2
18.	Filler T Mount Strap	EGCS-FNSTRAP	1
19.	Filler Cap Tee	EGCS-FCT-N	1
20.	3/16" Shear Nut	AN364-1032A	11
21.	Coolant Recovery Clamp	FS-HS	2
22.	Coolant Recovery Bottle	EGCS-CRB	1
23.	3/16" Thin Washer	AN960-10L	14
24.	3/16" Bolt	AN3-4A	4
25.	Reducer Coupler	EGCS-RC	2
26.	Hose Clamp, 1 3/4"	5-5220	4
27.	Radiator	EGCS-RAD	1
28.	Radiator Top Panel	KPPW0048	1
29.	1/8" Aluminum Pop Rivet - Cherry Q	AAPQ-41	10
30.	1/8" Black Fuel Coolant Pressure Line	1/8 FUEL LINE	18 in
31.	Filler "T" Mount	EGCS-FNSTRAP	1
32.	1/8" Small Brass Washer	AN960-B4	12
33.	3/16" Nut Plate	K-1000-3	4
34.	Water Outlet Socket	922-025	1
35.	3/16" Bolt	AN3-3A	3
36.	1/4" Blue Fuel Line	FS-FL	6 ft
37.	90 Copper Fitting	EGCS-90CF1	1
38.	3/32" Aluminum Pop Rivet	40APR1/8	8
39.	Filler Tee and Overflow Bottle Bracket	EG-FTOB	1
40.	Radiator/Boom Seal	KPPW0049	1

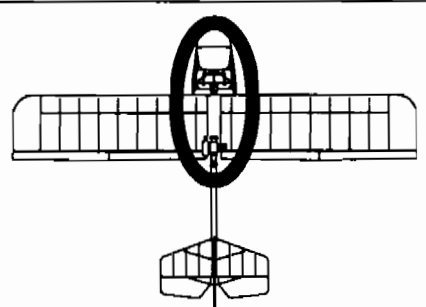
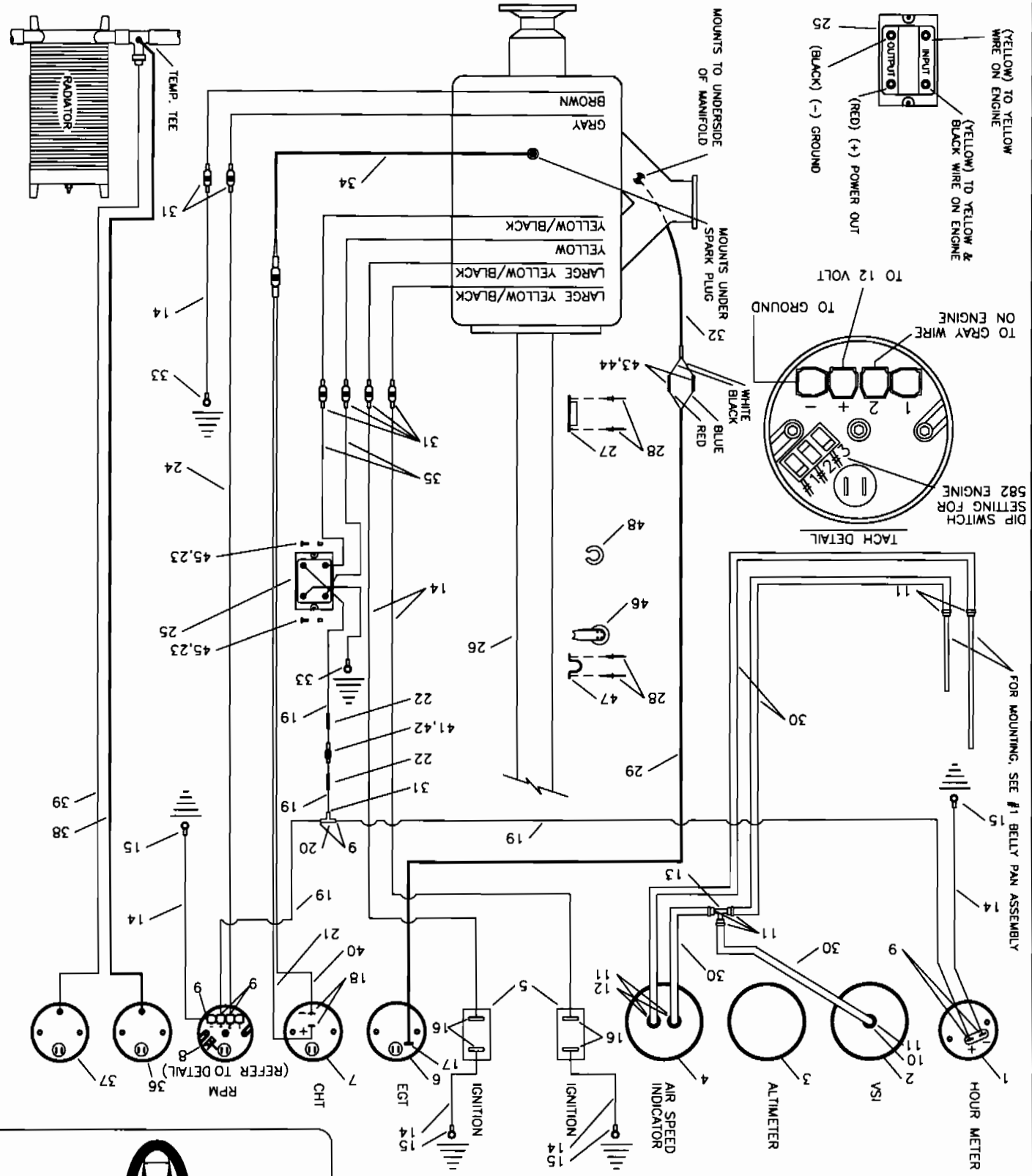
RPM5 S-12 AIRAILE 582 COOLING SYSTEM FULL ENCLOSURE

MD2523 REV. A



S-12XL AIRAILE - 582 COOLING SYSTEM**FULL ENCLOSURE**

#	DESCRIPTION	PART NUMBER	QUANTITY
1.	Radiator Scoop - Side Panel - RH	KPPW0070-R	1
1.	Radiator Scoop - Side Panel - LH	KPPW0070-L	1
2.	Hose Clamp, 1 1/2"	5-5216	10
3.	Rubber Edging	X1011	48 in
4.	Zip Ties	ZIP TIES	20
5.	1 1/4" Radiator Hose	EGCS-RHOSE	4
6.	1" Radiator Hose	RADIATOR HOSE	15 ft
7.	Safety Wire	SAFETY WIRE	0 ft
8.	5/16" Overflow Hose	EGCS-OFH	12 in
9.	Temperature Probe Tee	EGCS-TEMP-T-N	1
10.	16 lb Pressure Cap	EGCS-CAP16	1
11.	Water Temperature Gauge	KSPW0013	1
12.	3/16" Plastic Washer	PW-3	20
13.	3/16" Bolt	AN3-6A	6
14.	Loctite Blue	LOC-TITE	0
15.	Hose Spring	EGCS-HS	3
16.	Mount Block	EGCS-FNMPVC	1
17.	3/16" Bolt	AN3-14A	2
19.	Filler Cap Tee	EGCS-FCT-N	1
20.	3/16" Shear Nut	AN364-1032A	11
21.	Coolant Recovery Clamp	FS-HS	2
22.	Coolant Recovery Bottle	EGCS-CRB	1
23.	3/16" Thin Washer	AN960-10L	14
24.	3/16" Bolt	AN3-4A	4
25.	Reducer Coupler	EGCS-RC	2
26.	Hose Clamp, 1 3/4"	5-5220	4
27.	Radiator	EGCS-RAD	1
28.	1/8" Aluminum Pop Rivet - Cherry Q	AAPQ-41	19
29.	Radiator Scoop - Bottom Panel	KPPW0069	1
30.	1/8" Black Fuel Coolant Pressure Line	1/8 FUEL LINE	10 ft
31.	Small Hose Clamp	5-6202	2
32.	1/8" Straight Brass Female Fitting	26-4-2	1
33.	3/16" Nut Plate	K-1000-3	4
34.	Water Pressure Gauge	KSPW0021	1
35.	3/16" Bolt	AN3-3A	3
36.	1/4" Blue Fuel Line	FS-FL	6 ft
37.	90 Copper Fitting	EGCS-90CF1	1
38.	3/32" Aluminum Pop Rivet	40APR1/8	8
39.	Filler Tee and Overflow Bottle Bracket	EG-FTOB	1
40.	Radiator/Boom Seal	KPPW0049	1
41.	1/8" Aluminum Pop Rivet - Cherry Q	AAPQ-42	12



SECTION: 04-17
 582 ENGINE, INSTRUMENTATION, AND ELECTRICAL
 DETAIL: 582 INSTRUMENTS AND ELECTRICAL WITHOUT ELECTRICAL START

S-12XL AIRAILE - 582 INSTRUMENTS & ELECTRICAL - WITHOUT ELECTRIC START

NOTE: Gauges may vary, consult directions provided with gauge for wiring diagram.

#	DESCRIPTION	PART NUMBER	QUANTITY
1.	Hour Meter	KSPW0022	1
2.	Vertical Speed Indicator - Feet per Minute *	KSAV0008	1
3.	Altimeter *	KSAV0001	1
4.	Air Speed Indicator, 0-120	KSAV0004	1
5.	Ignition Switch	MS35058-22	2
6.	Exhaust Gas Temperature Gauge	KSPW0008	1
7.	Cylinder Head Temperature Gauge *	KSPW0010	1
8.	RPM Gauge	KSPW0028	1
9.	14 Gauge Female Spade Terminal, Blue	IP-7128	7
10.	90 Withdrawal Fitting	8342	1
11.	Line Clamp, 3/8"	FS-LCL 3/8	8
12.	Straight Withdrawal Fitting	8330	2
13.	Line Tee	8338	1
14.	14 Gauge Black Wire	14 GA WIRE/BLACK	30 ft
15.	14 Gauge Eye Terminal, Blue 3/16"	IP-7102	4
16.	14 Gauge Eye Terminal, Blue 5/32"	KSES0003	4
17.	EGT End Plug **	KSPW0008-1	0
18.	Female Terminal ***	KSPW0010-1	0
19.	14 Gauge Red Wire	14 GA WIRE/RED	16 ft
20.	Terminal Y Connector, Brass	IP-YC	1
21.	CHT Wire, Red ***	KSPW0010-2	0
22.	14 Gauge Splice, Butt Connector	IP-7132	2
23.	3/16" Rivet Nut	MS27130-A25K	2
24.	14 Gauge White Wire	14 GA WIRE/WHITE	12 ft
25.	Regulator/Rectifier	KSES0005	1
26.	Keel ****	KPFU0043	0
27.	Starter Pulley	109	1
28.	3/16" Stainless Steel Pop Rivet - Cherry Q	CCPQ-64	4
29.	EGT Wires **	KSPW0008-2	0
30.	1/4" Blue Pitot/Static Line	FS-FL	8 ft
31.	14 Gauge Male Spade Terminal, Blue	IP-7126	7
32.	EGT Probe **	KSPW0008-3	0
33.	14 Gauge Eye Terminal, Blue 1/4"	1/4 EYE 14 GA	2
34.	CHT Probe ***	KSPW0010-3	0
35.	14 Gauge Yellow Wire	14 GA WIRE/YELLOW	6 ft
36.	Coolant Pressure Gauge *****	KSPW0021	0
37.	Coolant Temperature Gauge *****	KSPW0013	0
38.	1/8" Black Fuel Coolant Pressure Line *****	1/8 FUEL LINE	0 ft
39.	Coolant Temperature Probe *****	KSPW0013-1	0
40.	CHT Wire, Black ***	KSPW0010-4	0

*Optional gauge. **Supplied with EGT. ***Supplied with CHT.

****Referenced from super structure assembly. *****Referenced from cooling system.

S-12XL AIRAILE - 582 INSTRUMENTS & ELECTRICAL - WITHOUT ELECTRIC START

NOTE: Gauges may vary, consult directions provided with gauge for wiring diagram.

#	DESCRIPTION	PART NUMBER	QUANTITY
41.	14 Gauge, In Line Fuse Holder	KSES0019	1
42.	25 AMP Fuse	KSES0020-25	1
43.	Female Bullet Terminal	02-09-1103	8
44.	Shrink Wrap	KSAC0009	1 ft
45.	Pan Head Phillips Bolt (10-32)	KSHW0006	2
46.	Pulley	KSHW0040	1
47.	Eye Strap	KSHW0019	1
48.	Small Rubber Edging	8510K11	6 in

*Optional gauge.

**Supplied with EGT.

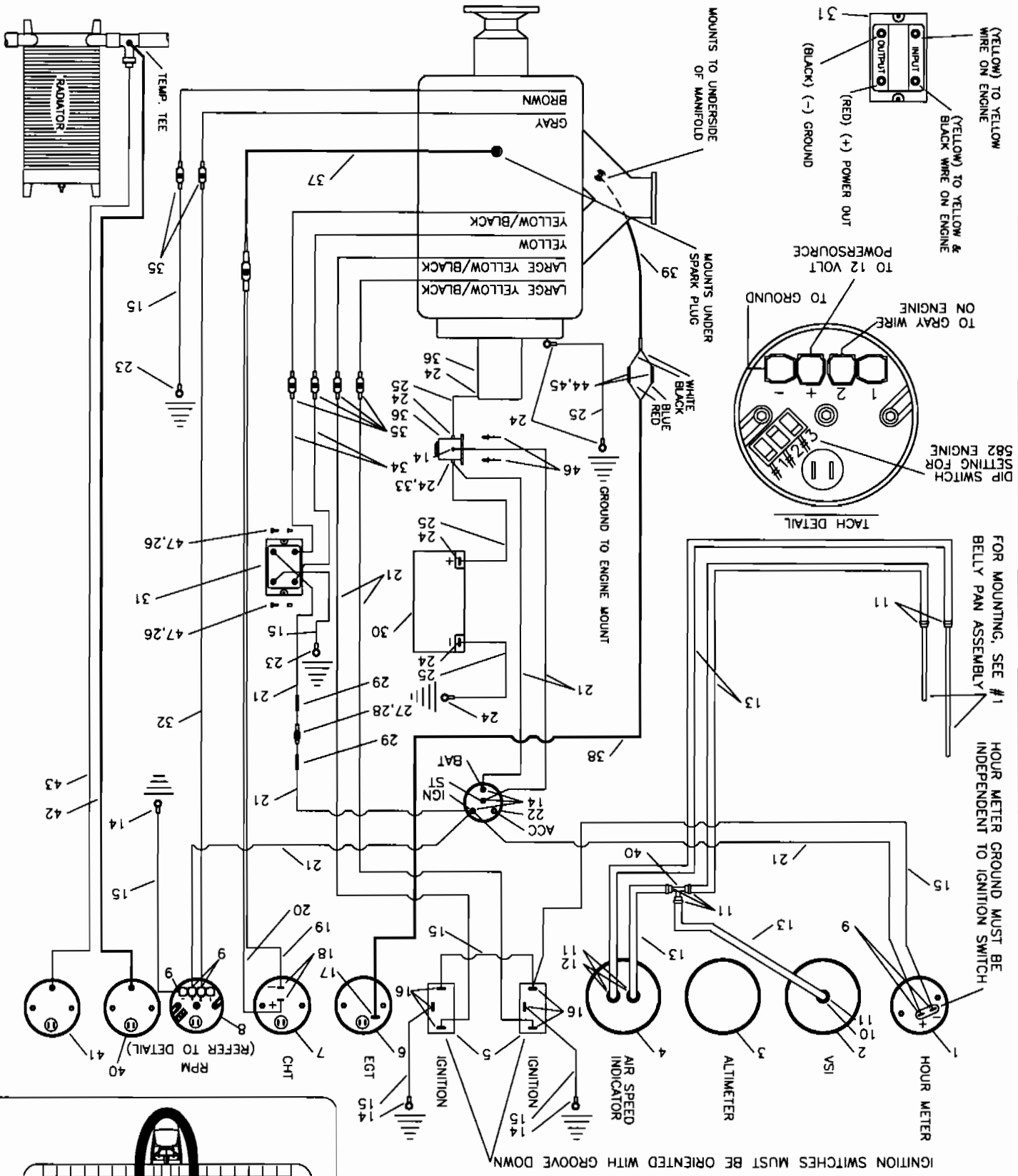
***Supplied with CHT.

****Referenced from super structure assembly.

*****Referenced from cooling system.

RPM S-12 AIRRALE

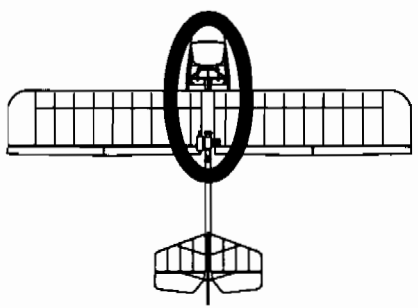
Made in the USA



SECTION: 04-20

582 ENGINE, INSTRUMENTATION, AND ELECTRICAL

DETAIL: 582 INSTRUMENTS AND ELECTRICAL WITH ELECTRICAL START



S-12XL AIRAILE - 582 INSTRUMENTS & ELECTRICAL - WITH ELECTRIC START

NOTE: Gauges may vary, consult directions provided with gauge for wiring diagram.

#	DESCRIPTION	PART NUMBER	QUANTITY
1.	Hour Meter	KSPW0022	1
2.	Vertical Speed Indicator - Feet per Minute *	KSAV0008	1
3.	Altimeter *	KSAV0001	1
4.	Air Speed Indicator, 0-120	KSAV0004	1
5.	Ignition Switch	MS35058-23	2
6.	Exhaust Gas Temperature Gauge	KSPW0008	1
7.	Cylinder Head Temperature Gauge *	KSPW0010	1
8.	RPM Gauge	KSPW0028	1
9.	14 Gauge Female Spade Terminal, Blue	IP-7128	5
10.	90 Withdrawal Fitting	8342	1
11.	Line Clamp, 3/8"	FS-LCL 3/8	8
12.	Straight Withdrawal Fitting	8330	2
13.	1/4" Blue Pitot/Static Line	FS-FL	8 ft
14.	14 Gauge Eye Terminal, Blue 3/16"	IP-7102	10
15.	14 Gauge Black Wire	14 GA WIRE/BLACK	30 ft
16.	14 Gauge Eye Terminal, Blue 5/32"	KSES0003	6
17.	EGT End Plug **	KSPW0008-1	0
18.	Female Terminal ***	KSPW0010-1	0
19.	CHT Wire, Black ***	KSPW0010-4	0
20.	CHT Wire, Red ***	KSPW0010-2	0
21.	14 Gauge Red Wire	14 GA WIRE/RED	38 ft
22.	Key Start Switch	25-6	1
23.	14 Gauge Eye Terminal, Blue 1/4"	1/4 EYE 14 GA	2
24.	4 Gauge Eye Cable Terminal	4 GA CABLE LUG	8
25.	4 Gauge Battery Cable, Black Wire	4 GA WIRE/BLACK	20 ft
26.	3/16" Rivet Nut	MS27130-A25K	2
27.	14 Gauge, In Line Fuse Holder	KSES0019	1
28.	25 AMP Fuse	KSES0020-25	1
29.	14 Gauge Splice, Butt Connector	IP-7132	4
30.	Battery ****	PS12150-NB	0
31.	Regulator/Rectifier	KSES0005	1
32.	14 Gauge White Wire	14 GA WIRE/WHITE	12 ft
33.	14 Gauge Eye Terminal, Blue 5/16"	5/16 I TERM	1
34.	14 Gauge Yellow Wire	14 GA WIRE/YELLOW	6 ft
35.	14 Gauge Male Spade Terminal, Blue	IP-7126	6
36.	Electric Starter Kit (582)	MESK-3-582	1
37.	CHT Probe ***	KSPW0010-3	0
38.	EGT Wires **	KSPW0008-2	0
39.	EGT Probe **	KSPW0008-3	0
40.	Coolant Pressure Gauge *****	KSPW0021	0

*Optional gauge. **Supplied with EGT. ***Supplied with CHT.

****Referenced from battery box installation. *****Referenced from 582 cooling system.

S-12XL AIRAILE - 582 INSTRUMENTS & ELECTRICAL - WITH ELECTRIC START

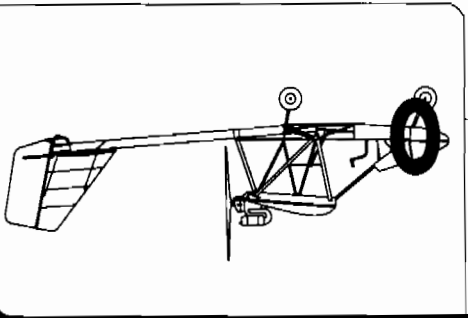
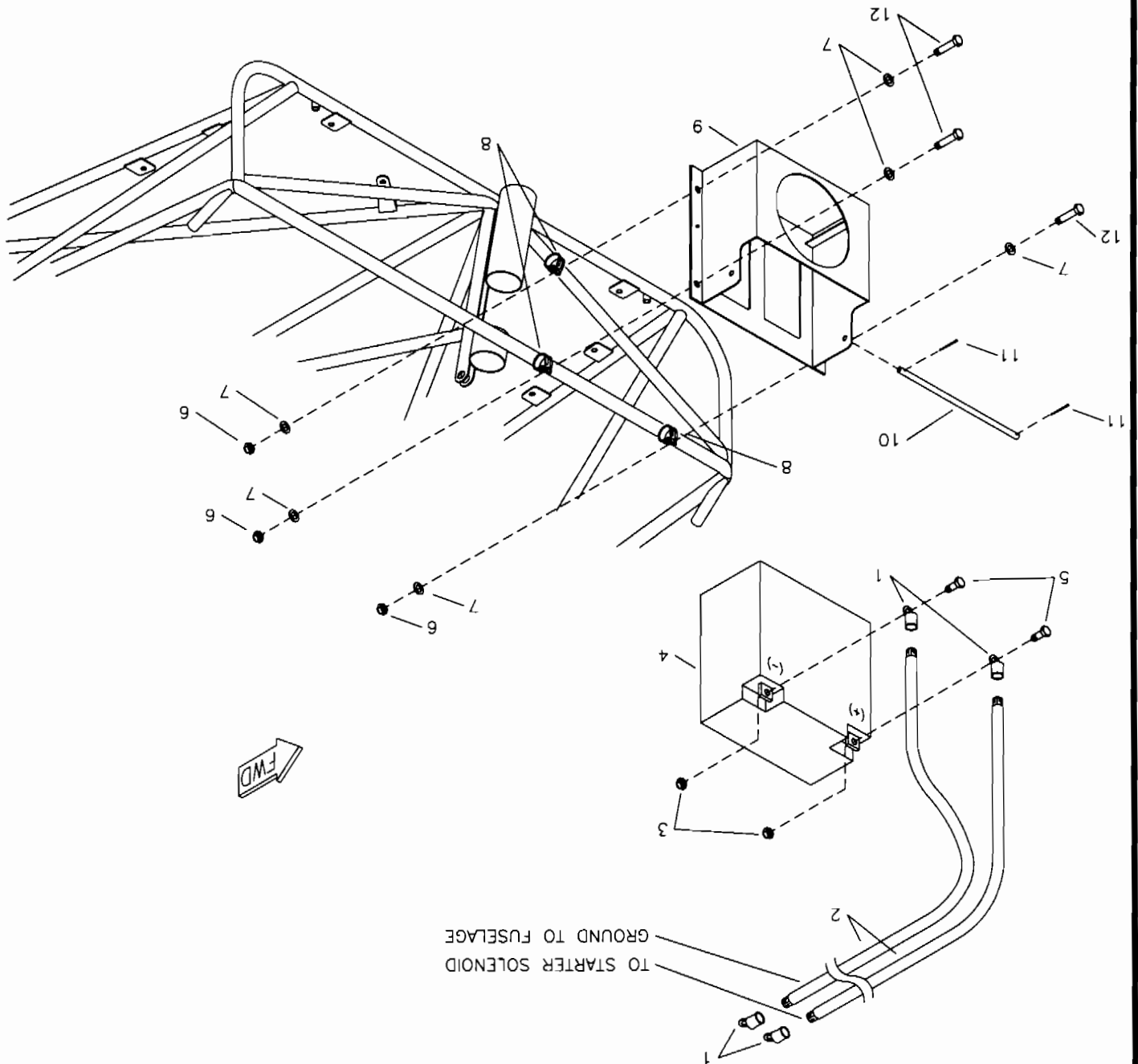
NOTE: Gauges may vary, consult directions provided with gauge for wiring diagram.

#	DESCRIPTION	PART NUMBER	QUANTITY
41.	Coolant Temperature Gauge *****	KSPW0013	0
42.	1/8" Black Fuel Coolant Pressure Line *****	1/8 FUEL LINE	0 ft
43.	Coolant Temperature Probe *****	KSPW0013-1	0
44.	Female Bullet Terminal	02-09-1103	8
45.	Shrink Wrap	KSAC0009	1 ft
46.	3/16" Aluminum Pop Rivet - Cherry Q	AAPQ-64	2
47.	Pan Head Phillips Bolt (10-32)	KSHW0006	2

*Optional gauge. **Supplied with EGT. ***Supplied with CHT.
 ****Referenced from battery box installation. *****Referenced from 582 cooling system.

RPM S-12 AIRRALE

Made in the USA



582 BATTERY BOX INSTALLATION

DETAIL:

582 ENGINE, INSTRUMENTATION, AND ELECTRICAL

SECTION:

Section:**582 ENGINE, INSTRUMENTATION & ELECTRICAL SYSTEMS****Detail:****582 BATTERY BOX INSTALLATION****Page:**

04-24

Date:

8/15/96

#	Description	Part Number	Quantity
1.	4 Gauge Terminal Cable	4 GA CABLE LUG	0
2.	Battery Cable**	4 GA WIRE/BLACK	0 ft
3.	Nut*	BATT-1	2
4.	Battery	PS12150-NB	1
5.	Bolt*	BATT-2	2
6.	3/16" Shear Nut	AN364-1032A	3
7.	3/16" Thick Washer	AN960-10	6
8.	1/2" Cushioned Clamp	MS21919-DG8	3
9.	Battery Box	(582) BAT-BOX	1
10.	Battery Bar***	(582) BAT-BAR	1
11.	Small Cotter Pin***	MS24665-134	2
12.	3/16" Bolt	AN3-3A	3

*Comes with battery.

**Referenced from 582 Instruments & Electrical.

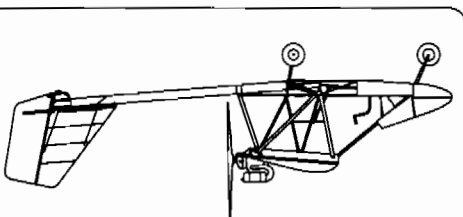
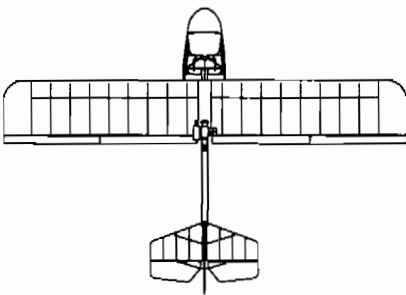
***Comes with 582 battery box.

RANS, Inc.
S-12 Airaile

dBase Page #:

005-20

582 MUFFLER WRAP AT A LATER DATE
IN DEVELOPMENT, TO BE RELEASED FOR
PRODUCTION, TO BE RELEASED DATE



582 MUFFLER WRAP HEATER

DETAIL

582 ENGINE, INSTRUMENTATION, AND ELECTRICAL

SECTION

NOTES:

04-25

PAGE:

Section:

582 ENGINE, INSTRUMENTATION & ELECTRICAL SYSTEMS

Detail:

582 MUFFLER WRAP HEATER

Page:

04-26

Date:

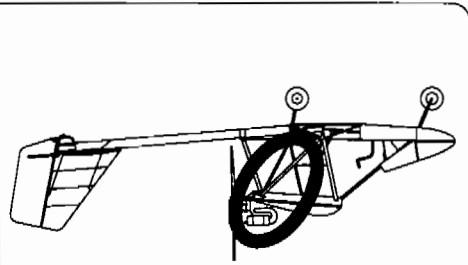
#	Description	Part Number	Quantity
0.	582 Muffler Wrap Heater in development.	-----	0

RANS, Inc.
S-12 Airaile

dBase Page #:

005-22

582 RADIANT HEATER CORE ASSEMBLY IN DEVELOPMENT, TO BE RELEASED TO PRODUCTION AT A LATER DATE.



RADIANT HEATER CORE ASSEMBLY

DETAIL:

582 ENGINE, INSTRUMENTATION, AND ELECTRICAL

SECTION:

Section:

582 ENGINE, INSTRUMENTATION & ELECTRICAL SYSTEMS

Detail:

582 RADIANT HEATER CORE ASSEMBLY

Page:

04-28

Date:

#	Description	Part Number	Quantity
0.	582 Radiant Heater Core in development.	----	0

RANS, Inc.
S-12 Airaile

dBase Page #:

005-24

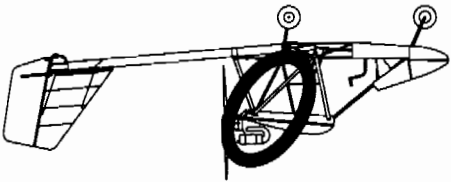
Made in the USA

RRMS
S-12 AIRAILE

DATE: 11/8/95

MANUAL DRAWING # MD2074

582 RADIANT HEATER ASSEMBLY IN DEVELOPMENT
TO BE RELEASED TO PRODUCTION AT A
LATER DATE.



SECTION: 582 ENGINE, INSTRUMENTATION, AND ELECTRICAL
DETAIL: RADIANT HEATER ASSEMBLY

PAGE: 04-29
NOTES:

Section:

582 ENGINE, INSTRUMENTATION & ELECTRICAL SYSTEMS

Detail:

582 RADIANT HEATER INSTALLATION

Page:

04-30

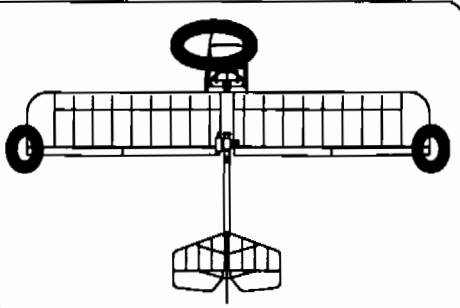
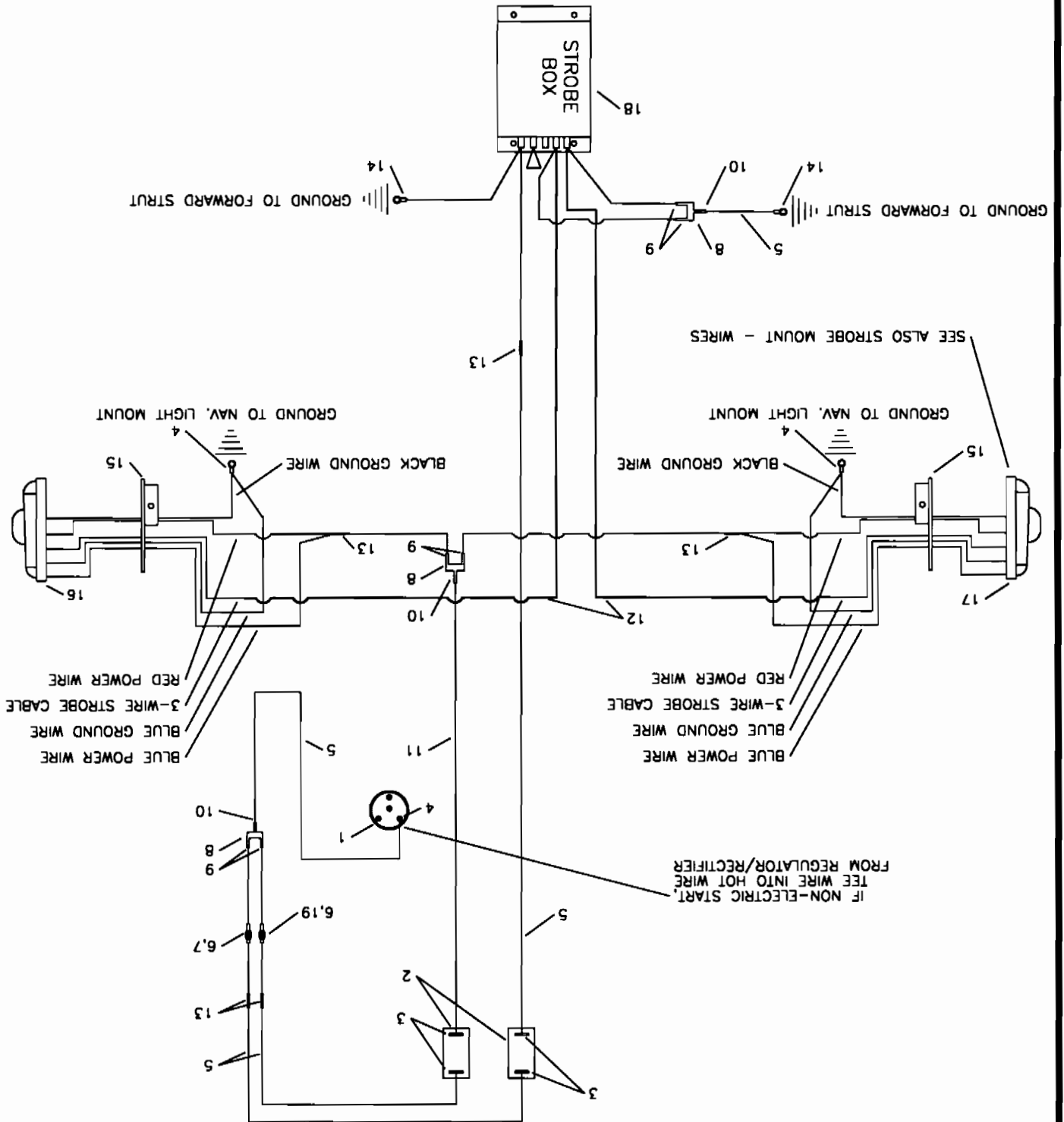
Date:

#	Description	Part Number	Quantity
0.	582 Radiant Heater Installation in development.	-----	0

RANS, Inc.
S-12 Airaile

dBase Page #:

005-26



SECTION: 04-31
582 ENGINE, INSTRUMENTATION, AND ELECTRICAL
DETAIL: STROBE SYSTEM SCHEMATIC

S-12XL AIRAILE - 582 STROBE SYSTEM SCHEMATIC

#	DESCRIPTION	PART NUMBER	QUANTITY
1.	Key Start Switch *	25-6	0
2.	Switch	MS35058-22	2
3.	14 Gauge Eye Terminal, Blue 5/32"	KSES0003	4
4.	14 Gauge Eye Terminal, Blue 3/16"	IP-7102	3
5.	14 Gauge Red Wire	14 GA WIRE/RED	8 ft
6.	14 Gauge, In Line Fuse Holder	KSES0019	2
7.	15 AMP Fuse	KSES0020-15	1
8.	Terminal Y Connector, Brass	IP-YC	1
9.	14 Gauge Female Spade Terminal, Blue	IP-7128	6
10.	14 Gauge Male Spade Terminal, Blue	IP-7126	3
11.	14 Gauge Yellow Wire	14 GA WIRE/YELLOW	50 ft
12.	Whelen Installation & Cable	HD-60	1
13.	14 Gauge Splice, Butt Connector	IP-7132	4
14.	14 Gauge Eye Terminal, Blue 1/4"	1/4 EYE 14 GA	2
15.	Navigation Light Tip Mount **	NAV-TIP-MT	0
16.	Whelen Left Strobe Light **	A600-PR	0
17.	Whelen Right Strobe Light **	A600-PG	0
18.	Whelen Strobe Light Power Supply	A413A, HDA-DF	1
19.	10 AMP Fuse	KSES0020-10	1

*Referenced from Instruments & Electrical.

**Referenced from Strobe Mount.