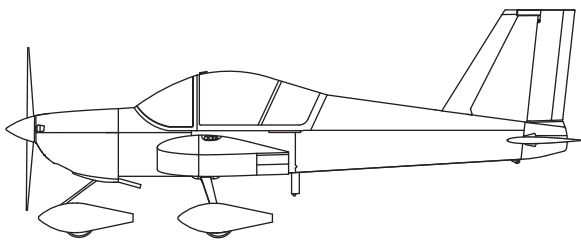
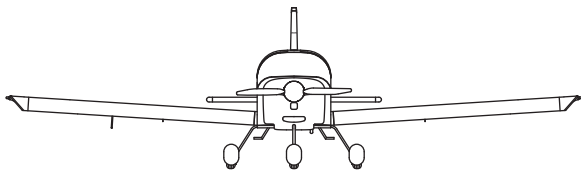
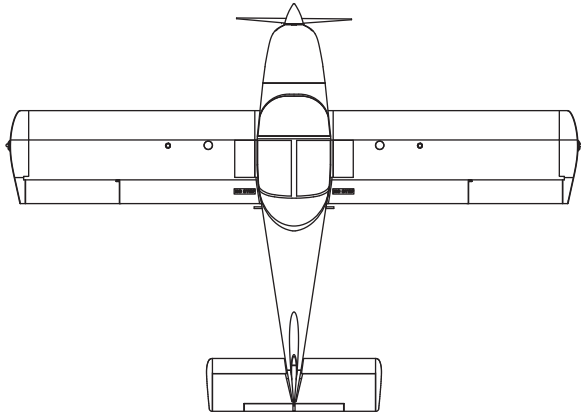


# S-19 VENTERRA

The Pinnacle of Light Sport Aviation



## SPECS AND PERFORMANCE

### SPECIFICATIONS

Wing Span	28 ft
Area	126 sq ft
Mean Chord	4 ft 7 in
Aspect	6.18:1
Length	19.9 ft
Height	95.5 in
Cockpit Width	43.5 in
Headroom	40 in
Legroom	45 in
Number of Seats	2
Entry	Canopy
Landing Gear*	F/TR
Baggage Volume	13 cu ft
Baggage Capacity	70 lbs
Fuel Capacity	24 gal

### POWER PLANT

#### ROTAX 912 ULS

Output	100 hp
Oil Capacity	3.0 qts
Coolant Capacity	4.4 qts
Propeller Diameter	70 in
Propeller Type	2 Blade G Adj.
Gear Reduction	1:2.43
Fuel G.P.H @ 75%	5.0

### WEIGHTS & LOADINGS

#### ROTAX 912 ULS

Gross Weight**	1320 lbs
Empty Weight***	820 lbs
Useful Load ***	500 lbs
Wing Loading	10.4 lbs/ft <sup>2</sup>
Power Loading	13.20 lbs/hp
Limit Load Factors	+4.4 / -2

### PERFORMANCE\*\*\*

#### ROTAX 912 ULS

Take Off Roll	325 ft
Rate of Climb	900 fpm
Service Ceiling	14,500 ft
Cruise	136 mph
VNE	150 mph
Stall Clean	50 mph
Stall Flaps	45 mph
Roll Rate	100°/sec
Glide Ratio	12:1
Landing Roll	325 ft
Endurance	4.4 hrs
Range	598 miles

\* F/TR = Fixed Trike

\*\* Airframe rated for 1500 lbs. (680 kgs.)

\*\*\* Approximately